

BG95-M2

Hardware

Design

LPWA Module Series

Rev. BG95_Hardware_Design_V1.2_Preliminary20200421

Date: 2020-04-21

Status: Preliminary

Our aim is to provide customers with timely and comprehensive service. For any assistance, please contact our company headquarters:

Quectel Wireless Solutions Co., Ltd.

Building 5, Shanghai Business Park Phase III (Area B), No.1016 Tianlin Road, Minhang District, Shanghai, China 200233

Tel: +86 21 5108 6236

Email: info@quectel.com

Or our local office. For more information, please visit:

<http://www.quectel.com/support/sales.htm>

For technical support, or to report documentation errors, please visit:

<http://www.quectel.com/support/technical.htm>

Or email to: support@quectel.com

GENERAL NOTES

QUECTEL OFFERS THE INFORMATION AS A SERVICE TO ITS CUSTOMERS. THE INFORMATION PROVIDED IS BASED UPON CUSTOMERS' REQUIREMENTS. QUECTEL MAKES EVERY EFFORT TO ENSURE THE QUALITY OF THE INFORMATION IT MAKES AVAILABLE. QUECTEL DOES NOT MAKE ANY WARRANTY AS TO THE INFORMATION CONTAINED HEREIN, AND DOES NOT ACCEPT ANY LIABILITY FOR ANY INJURY, LOSS OR DAMAGE OF ANY KIND INCURRED BY USE OF OR RELIANCE UPON THE INFORMATION. ALL INFORMATION SUPPLIED HEREIN IS SUBJECT TO CHANGE WITHOUT PRIOR NOTICE.

COPYRIGHT

THE INFORMATION CONTAINED HERE IS PROPRIETARY TECHNICAL INFORMATION OF QUECTEL WIRELESS SOLUTIONS CO., LTD. TRANSMITTING, REPRODUCTION, DISSEMINATION AND EDITING OF THIS DOCUMENT AS WELL AS UTILIZATION OF THE CONTENT ARE FORBIDDEN WITHOUT PERMISSION. OFFENDERS WILL BE HELD LIABLE FOR PAYMENT OF DAMAGES. ALL RIGHTS ARE RESERVED IN THE EVENT OF A PATENT GRANT OR REGISTRATION OF A UTILITY MODEL OR DESIGN.

Copyright © Quectel Wireless Solutions Co., Ltd. 2020. All rights reserved.

About the Document

Revision History

Version	Date	Author	Description
1.0	2019-09-30	Lyndon LIU/ Garey XIE	Initial
1.1	2020-02-28	Lyndon LIU/ Garey XIE	<ol style="list-style-type: none">1. Updated the GNSS function into an optional feature.2. Updated the LTE Power Class 5 to 21 dBm.3. Added the parameters (power supply, operating frequency, output power, etc.) of BG95-M4 and BG95-M5.4. Updated the transmitting power parameters in Table 3 and Table 40.5. Updated the pin name of pin 21 from NETLIGHT into NET_STATUS.6. Updated the block diagram in Figure 1.7. Updated the power-on timing in Figure 8.8. Updated the reference design of USB interface in Figure 16.9. Updated the name of UART interface pins.10. Added a recommended GNSS UART reference design (Dual-Transistor Solution) in Figure 19.11. Added the timing of turning on the module with USB_BOOT in Figure 24.12. Added the truth table of GRFC interfaces in Table 29.13. Updated the GNSS performance in Table 30.14. Updated the current consumption parameters in Chapter 6.4.15. Updated the RF receiving sensitivity in Chapter 6.6.

Contents

About the Document	2
Contents.....	3
Table Index	6
Figure Index.....	8
1 Introduction	9
1.1. Safety Information	10
1.2. FCC Certification Requirements	11
1.3. IC Statement	13
2 Product Concept	15
2.1. General Description.....	15
2.2. Key Features	17
2.3. Functional Diagram	20
2.4. Evaluation Board	21
3 Application Interfaces.....	22
3.1. Pin Assignment	23
3.2. Pin Description	24
3.3. Operating Modes.....	32
3.4. Power Saving	33
3.4.1. Airplane Mode.....	33
3.4.2. Power Saving Mode (PSM).....	34
3.4.3. Extended Idle Mode DRX (e-I-DRX).....	34
3.4.4. Sleep Mode.....	35
3.4.4.1. UART Application	35
3.5. Power Supply	36
3.5.1. Power Supply Pins.....	36
3.5.2. Decrease Voltage Drop	37
3.5.3. Monitor the Power Supply.....	38
3.6. Turn on and off Scenarios	38
3.6.1. Turn on Module Using the PWRKEY Pin	38
3.6.2. Turn off Module.....	40
3.6.2.1. Turn off Module through PWRKEY	41
3.6.2.2. Turn off Module through AT Command	41
3.7. Reset the Module	41
3.8. PON_TRIG Interface	43
3.9. (U)SIM Interface	44
3.10. USB Interface	46
3.11. UART Interfaces.....	48
3.12. PCM and I2C Interfaces*	51

3.13.	Network Status Indication.....	52
3.14.	STATUS	53
3.15.	Behaviors of MAIN_RI	54
3.16.	USB_BOOT Interface.....	55
3.17.	ADC Interfaces	56
3.18.	GPIO Interfaces*	57
3.19.	GRFC Interfaces	58
4	GNSS Receiver	60
4.1.	General Description.....	60
4.2.	GNSS Performance.....	60
4.3.	Layout Guidelines.....	61
5	Antenna Interfaces.....	62
5.1.	Main Antenna Interface	62
5.1.1.	Pin Definition.....	62
5.1.2.	Operating Frequency	62
5.1.3.	Reference Design of Main Antenna Interface	63
5.1.4.	Reference Design of RF Layout.....	64
5.2.	GNSS Antenna Interface	66
5.3.	Antenna Installation	67
5.3.1.	Antenna Requirements	67
5.3.2.	Recommended RF Connector for Antenna Installation.....	68
6	Electrical, Reliability and Radio Characteristics	70
6.1.	Absolute Maximum Ratings.....	70
6.2.	Power Supply Ratings	70
6.3.	Operation and Storage Temperatures	71
6.4.	Current Consumption	71
6.5.	RF Output Power.....	74
6.6.	RF Receiving Sensitivity.....	75
6.7.	Electrostatic Discharge.....	78
7	Mechanical Dimensions.....	79
7.1.	Top and Side Dimensions	79
7.2.	Recommended Footprint	81
7.3.	Top and Bottom Views	82
8	Storage, Manufacturing and Packaging.....	83
8.1.	Storage.....	83
8.2.	Manufacturing and Soldering.....	84
8.3.	Packaging.....	85
9	Appendix A References.....	87
10	Appendix B GPRS Coding Schemes	90
11	Appendix C GPRS Multi-slot Classes.....	91

12 Appendix D EDGE Modulation and Coding Schemes..... 93

Table Index

Table 1: Version Selection for BG95 Series Modules.....	15
Table 2: Frequency Bands and GNSS Types of BG95 Series Modules.....	15
Table 3: Key Features of BG95 Series Modules	18
Table 4: Definition of I/O Parameters	24
Table 5: Pin Description	25
Table 6: Overview of BG95 Operating Modes	32
Table 7: VBAT and GND Pins	36
Table 8: Pin Definition of PWRKEY	38
Table 9: Pin Definition of RESET_N.....	42
Table 10: Pin Definition of PON_TRIG Interface	43
Table 11: Pin Definition of (U)SIM Interface	44
Table 12: Pin Definition of USB Interface	46
Table 13: Pin Definition of Main UART Interface.....	48
Table 14: Pin Definition of Debug UART Interface	49
Table 15: Pin Definition of GNSS UART Interface.....	49
Table 16: Logic Levels of Digital I/O.....	49
Table 17: Pin Definition of PCM and I2C Interfaces	52
Table 18: Pin Definition of NET_STATUS	53
Table 19: Working State of NET_STATUS.....	53
Table 20: Pin Definition of STATUS	54
Table 21: Default Behaviors of MAIN_RI Pin	54
Table 22: Pin Definition of USB_BOOT Interface.....	55
Table 23: Pin Definition of ADC Interface	57
Table 24: Characteristics of ADC Interfaces	57
Table 25: Pin Definition of GPIO Interfaces.....	58
Table 26: Logic Levels of GPIO Interfaces.....	58
Table 27: Pin Definition of GRFC Interfaces	59
Table 28: Logic Levels of GRFC Interfaces.....	59
Table 29: Truth Table of GRFC Interfaces	59
Table 30: GNSS Performance.....	60
Table 31: Pin Definition of Main Antenna Interface	62
Table 32: BG95 Operating Frequency.....	62
Table 33: Pin Definition of GNSS Antenna Interface	66
Table 34: GNSS Frequency	66
Table 35: Antenna Requirements.....	67
Table 36: Absolute Maximum Ratings.....	70
Table 37: Power Supply Ratings	70
Table 38: Operation and Storage Temperatures	71
Table 39: BG95-M3 Current Consumption	72
Table 40: GNSS Current Consumption	74
Table 41: BG95 RF Output Power.....	74

Table 42: Conducted RF Receiving Sensitivity of BG95-M1	75
Table 43: Conducted RF Receiving Sensitivity of BG95-M2	76
Table 44: Conducted RF Receiving Sensitivity of BG95-M3	77
Table 45: Electrostatic Discharge Characteristics (25 °C, 45% Relative Humidity)	78
Table 46: Recommended Thermal Profile Parameters	84
Table 47: Packaging Specifications of BG95	86
Table 48: Related Documents	87
Table 49: Terms and Abbreviations.....	87
Table 50: Description of Different Coding Schemes.....	90
Table 51: GPRS Multi-slot Classes	91
Table 52: EDGE Modulation and Coding Schemes.....	93

Figure Index

Figure 1: Functional Diagram	21
Figure 2: Pin Assignment (Top View)	23
Figure 3: Sleep Mode Application via UART	35
Figure 4: Power Supply Limits during Burst Transmission (BG95-M3/-M5)	37
Figure 5: Star Structure of the Power Supply	38
Figure 6: Turn on the Module Using Driving Circuit.....	39
Figure 7: Turn on the Module Using Keystroke	39
Figure 8: Power-on Timing	40
Figure 9: Power-off Timing	41
Figure 10: Reset Timing	42
Figure 11: Reference Circuit of RESET_N by Using Driving Circuit.....	42
Figure 12: Reference Circuit of RESET_N by Using Button.....	43
Figure 13: Reference Circuit of PON_TRIG	44
Figure 14: Reference Circuit of (U)SIM Interface with an 8-Pin (U)SIM Card Connector	45
Figure 15: Reference Circuit of (U)SIM Interface with a 6-Pin (U)SIM Card Connector	45
Figure 16: Reference Design of USB Interface	47
Figure 17: Main UART Reference Design (Translator Chip)	50
Figure 18: Main UART Reference Design (Transistor Circuit).....	50
Figure 19: Reference Circuit with Dual-Transistor Circuit (Recommended for GNSS UART).....	51
Figure 20: Reference Circuit of PCM Application with Audio Codec	52
Figure 21: Reference Circuit of the Network Status Indicator.....	53
Figure 22: Reference Design of STATUS	54
Figure 23: Reference Design of USB_BOOT Interface	55
Figure 24: Timing of Turning on Module with USB_BOOT	56
Figure 25: Reference Design of Main Antenna Interface.....	64
Figure 26: Microstrip Design on a 2-layer PCB	64
Figure 27: Coplanar Waveguide Design on a 2-layer PCB	65
Figure 28: Coplanar Waveguide Design on a 4-layer PCB (Layer 3 as Reference Ground).....	65
Figure 29: Coplanar Waveguide Design on a 4-layer PCB (Layer 4 as Reference Ground).....	65
Figure 30: Reference Circuit of GNSS Antenna Interface	67
Figure 31: Dimensions of the U.FL-R-SMT Connector (Unit: mm)	68
Figure 32: Mechanicals of U.FL-LP Connectors.....	69
Figure 33: Space Factor of Mated Connector (Unit: mm).....	69
Figure 34: Module Top and Side Dimensions	79
Figure 35: Module Bottom Dimensions (Bottom View).....	80
Figure 36: Recommended Footprint (Top View).....	81
Figure 37: Top View of the Module.....	82
Figure 38: Bottom View of the Module	82
Figure 39: Recommended Reflow Soldering Thermal Profile.....	84
Figure 40: Tape Dimensions	85
Figure 41: Reel Dimensions	86

1 Introduction

This document defines BG95 module and describes its air interface and hardware interfaces which are connected with customers' applications.

This document helps customers quickly understand the interface specifications, electrical and mechanical details, as well as other related information of BG95. To facilitate application designs, it also includes some reference designs for customers' reference. The document, coupled with application notes and user guides, makes it easy to design and set up mobile applications with BG95.

1.1. Safety Information

The following safety precautions must be observed during all phases of operation, such as usage, service or repair of any cellular terminal or mobile incorporating BG95 module. Manufacturers of the cellular terminal should notify users and operating personnel of the following safety information by incorporating these guidelines into all manuals supplied with the product. If not so, Quectel assumes no liability for any user's failure to observe these precautions.



Full attention must be paid to driving at all times in order to reduce the risk of an accident. Using a mobile while driving (even with a handsfree kit) causes distraction and can lead to an accident. Please comply with laws and regulations restricting the use of wireless devices while driving.



Switch off the cellular terminal or mobile before boarding an aircraft. The operation of wireless appliances in an aircraft is forbidden to prevent interference with communication systems. If there is an Airplane Mode, it should be enabled prior to boarding an aircraft. Please consult the airline staff for more restrictions on the use of wireless devices on an aircraft.



Wireless devices may cause interference on sensitive medical equipment, so please be aware of the restrictions on the use of wireless devices when in hospitals, clinics or other healthcare facilities.



Cellular terminals or mobiles operating over radio signals and cellular network cannot be guaranteed to connect in all possible conditions (for example, with unpaid bills or with an invalid (U)SIM card). When emergent help is needed in such conditions, please remember using emergency call. In order to make or receive a call, the cellular terminal or mobile must be switched on in a service area with adequate cellular signal strength.



The cellular terminal or mobile contains a transmitter and receiver. When it is ON, it receives and transmits radio frequency signals. RF interference can occur if it is used close to TV set, radio, computer or other electric equipment.



In locations with potentially explosive atmospheres, obey all posted signs to turn off wireless devices such as mobile phone or other cellular terminals. Areas with potentially explosive atmospheres include fuelling areas, below decks on boats, fuel or chemical transfer or storage facilities, areas where the air contains chemicals or particles such as grain, dust or metal powders, etc.

1.2. FCC Certification Requirements.

According to the definition of mobile and fixed device is described in Part 2.1091(b), this device is a mobile device.

And the following conditions must be met:

1. This Modular Approval is limited to OEM installation for mobile and fixed applications only. The antenna installation and operating configurations of this transmitter, including any applicable source-based time-averaging duty factor, antenna gain and cable loss must satisfy MPE categorical Exclusion Requirements of 2.1091.

2. The EUT is a mobile device; maintain at least a 20 cm separation between the EUT and the user's body and must not transmit simultaneously with any other antenna or transmitter.

3. A label with the following statements must be attached to the host end product: This device contains FCC ID: XMR2020BG95M2.

4. To comply with FCC regulations limiting both maximum RF output power and human exposure to RF radiation, maximum antenna gain (including cable loss) must not exceed:

- Catm LTE Band2/25: ≤ 11.000 dBi
- Catm LTE Band4/66: ≤ 8.000 dBi
- Catm LTE Band5/26: ≤ 12.541 dBi
- Catm LTE Band12/85: ≤ 11.798 dBi
- Catm LTE Band13: ≤ 12.214 dBi
- NB LTE Band2/25: ≤ 11.000 dBi
- NB LTE Band4/66: ≤ 8.000 dBi
- NB LTE Band5: ≤ 12.541 dBi
- NB LTE Band12/85: ≤ 11.798 dBi
- NB LTE Band13: ≤ 12.214 dBi
- NB LTE Band71: ≤ 11.687 dBi

5. This module must not transmit simultaneously with any other antenna or transmitter

6. The host end product must include a user manual that clearly defines operating requirements and

conditions that must be observed to ensure compliance with current FCC RF exposure guidelines.

For portable devices, in addition to the conditions 3 through 6 described above, a separate approval is required to satisfy the SAR requirements of FCC Part 2.1093

If the device is used for other equipment that separate approval is required for all other operating configurations, including portable configurations with respect to 2.1093 and different antenna configurations.

For this device, OEM integrators must be provided with labeling instructions of finished products. Please refer to KDB784748 D01 v07, section 8. Page 6/7 last two paragraphs:

A certified modular has the option to use a permanently affixed label, or an electronic label. For a permanently affixed label, the module must be labeled with an FCC ID - Section 2.926 (see 2.2 Certification (labeling requirements) above). The OEM manual must provide clear instructions explaining to the OEM the labeling requirements, options and OEM user manual instructions that are required (see next paragraph).

For a host using a certified modular with a standard fixed label, if (1) the module's FCC ID is not visible when installed in the host, or (2) if the host is marketed so that end users do not have straightforward commonly used methods for access to remove the module so that the FCC ID of the module is visible; then an additional permanent label referring to the enclosed module: "Contains Transmitter Module FCC ID: XMR2020BG95M2" or "Contains FCC ID: XMR2020BG95M2" must be used. The host OEM user manual must also contain clear instructions on how end users can find and/or access the module and the FCC ID.

The final host / module combination may also need to be evaluated against the FCC Part 15B criteria for unintentional radiators in order to be properly authorized for operation as a Part 15 digital device.

The user's manual or instruction manual for an intentional or unintentional radiator shall caution the user that changes or modifications not expressly approved by the party responsible for compliance

could void the user's authority to operate the equipment. In cases where the manual is provided only in a form other than paper, such as on a computer disk or over the Internet, the information required by this section may be included in the manual in that alternative form, provided the user can reasonably be expected to have the capability to access information in that form.

This device complies with part 15 of the FCC Rules. Operation is subject to the following two conditions:

(1) This device may not cause harmful interference, and (2) this device must accept any interference received, including interference that may cause undesired operation.

Changes or modifications not expressly approved by the manufacturer could void the user's authority to operate the equipment.

1.3. IC Statement

IRSS-GEN

"This device complies with Industry Canada's licence-exempt RSSs. Operation is subject to the following two conditions: (1) This device may not cause interference; and (2) This device must accept any interference, including interference that may cause undesired operation of the device." or "Le présent appareil est conforme aux CNR d'Industrie Canada applicables aux appareils radio exempts de licence.

L'exploitation est autorisée aux deux conditions suivantes :

1) l'appareil ne doit pas produire de brouillage; 2) l'utilisateur de l'appareil doit accepter tout brouillage radioélectrique subi, même si le brouillage est susceptible d'en compromettre le fonctionnement."

Déclaration sur l'exposition aux rayonnements RF

The EUT is a mobile device; maintain at least a 20 cm separation between the EUT and the user's body and must not transmit simultaneously with any other antenna or transmitter.

L'autre utilisé pour l'émetteur doit être installé pour fournir une distance de séparation d'au moins 20 cm de toutes les personnes et ne doit pas être colocalisé ou fonctionner conjointement avec une autre antenne ou un autre émetteur.

To comply with IC regulations limiting both maximum RF output power and human exposure to RF

radiation, maximum antenna gain (including cable loss) must not exceed:

- Catm LTE Band2/25: ≤ 11.000 dBi
- Catm LTE Band4/66: ≤ 8.000 dBi
- Catm LTE Band5/26: ≤ 12.541 dBi
- Catm LTE Band12/85: ≤ 11.798 dBi
- Catm LTE Band13: ≤ 12.214 dBi
- NB LTE Band2/25: ≤ 11.000 dBi
- NB LTE Band4/66: ≤ 8.000 dBi
- NB LTE Band5: ≤ 12.541 dBi
- NB LTE Band12/85: ≤ 11.798 dBi
- NB LTE Band13: ≤ 12.214 dBi
- NB LTE Band71: ≤ 11.687 dBi

The host product shall be properly labelled to identify the modules within the host product.

The Innovation, Science and Economic Development Canada certification label of a module shall be clearly visible at all times when installed in the host product; otherwise, the host product must be labeled to display the Innovation, Science and Economic Development Canada certification number for the module, preceded by the word "Contains" or similar wording expressing the same meaning, as follows: "Contains IC: 10224A-2020BG95M2" or "where: 10224A-2020BG95M2 is the module's certification number".

Le produit hôte doit être correctement étiqueté pour identifier les modules dans le produit hôte.

L'étiquette de certification d'Innovation, Sciences et Développement économique Canada d'un module doit être clairement visible en tout temps lorsqu'il est installé dans le produit hôte; sinon, le produit hôte doit porter une étiquette indiquant le numéro de certification d'Innovation, Sciences et Développement économique Canada pour le module, précédé du mot «Contient» ou d'un libellé semblable exprimant la même signification, comme suit: "Contient IC: 10224A-2020BG95M2 " ou "où: 10224A-2020BG95M2 est le numéro de certification du module"

2 Product Concept

2.1. General Description

BG95 is a series of embedded IoT (LTE Cat M1, LTE Cat NB2 and EGPRS) wireless communication modules. It provides data connectivity on LTE-FDD and GPRS/EGPRS networks, and supports half-duplex operation in LTE network. It also provides optional GNSS and voice*¹⁾ functionality to meet customers' specific application demands.

Table 1: Version Selection for BG95 Series Modules

Version	Cat M1	Cat NB2 ²⁾	GSM	Wi-Fi Positioning	GNSS
BG95-M1	Support	/	/	/	Optional
BG95-M2	Support	Support	/	/	Optional
BG95-M3	Support	Support	Support	/	Optional
BG95-N1	/	Support	/	/	Optional
BG95-M4	Support	Support	/	/	Optional
BG95-M5	Support	Support	Support	/	Optional
BG95-MF (Planning)	Support	Support	/	Support	Optional

Table 2: Frequency Bands and GNSS Types of BG95 Series Modules

Module	Supported Bands	LTE Bands Power Class	GNSS (Optional)
BG95-M1	Cat M1 Only: LTE-FDD: B1/B2/B3/B4/B5/B8/B12/B13/B18 /B19/B20/B25/B26/B27/B28/B66/ B85	Power Class 5 (21 dBm)	GPS, GLONASS, BeiDou, Galileo, QZSS

BG95-M2	<p>Cat M1: LTE-FDD: B1/B2/B3/B4/B5/B8/B12/B13/ B18/B19/B20/B25/B26/ B27/B28/B66/B85</p> <p>Cat NB2: LTE-FDD: B1/B2/B3/B4/B5/B8/B12/B13/ B18/B19/B20/B25/ B28/B66/B71/B85</p>	Power Class 5 (21 dBm)	GPS, GLONASS, BeiDou, Galileo, QZSS
BG95-M3	<p>Cat M1: LTE-FDD: B1/B2/B3/B4/B5/B8/B12/B13/ /B18/B19/B20/B25/B26/B27/ B28/B66/B85</p> <p>Cat NB2: LTE-FDD: B1/B2/B3/B4/B5/B8/B12/B13/ B18/B19/B20/B25 / B28/B66/B71/B85</p> <p>EGPRS: 850/900/1800/1900 MHz</p>	Power Class 5 (21 dBm)	GPS, GLONASS, BeiDou, Galileo, QZSS
BG95-N1	<p>Cat NB2 Only: LTE FDD: B1/B2/B3/B4/B5/B8/B12/B13/ B18/B19/B20/B25/ B28/B66/B71/B85</p>	Power Class 5 (21 dBm)	GPS, GLONASS, BeiDou, Galileo, QZSS
BG95-M4	<p>Cat M1: LTE-FDD: B1/B2/B3/B4/B5/B8/B12/B13/ B18/B19/B20/B25/B26/B27/B28/ B31/B66/B72/B73/B85</p> <p>Cat NB2: LTE-FDD: B1/B2/B3/B4/B5/B8/B12/B13/ B18/B19/B20/B25/B28/B31/B66/ B72/B73/B85</p>	Power Class 5 (21 dBm)	GPS, GLONASS, BeiDou, Galileo, QZSS
BG95-M5	<p>Cat M1: LTE-FDD: B1/B2/B3/B4/B5/B8/B12/B13/ B18/B19/B20/B25/B26/B27/B28/ B66/B85</p> <p>Cat NB2: LTE-FDD:</p>	Power Class 3 (23 dBm)	GPS, GLONASS, BeiDou, Galileo, QZSS

	B1/B2/B3/B4/B5/B8/B12/B13/ B18/B19/B20/B25/B28/B66/B71/ B85 EGPRS: 850/900/1800/1900 MHz		
BG95-MF (Planning)	Cat M1: LTE-FDD: B1/B2/B3/B4/B5/B8/B12/B13/ B18/B19/B20/B25/B26/B27/ B28/B66/B85 Cat NB2: LTE-FDD: B1/B2/B3/B4/B5/B8/B12/B13/ B18/B19/B20/B25/B28/B66/B71/ B85 Wi-Fi (For Positioning Only): 2.4 GHz	Power Class 5 (21 dBm)	GPS, GLONASS, BeiDou, Galileo, QZSS

NOTES

- ¹⁾ BG95 series modules support VoLTE (Voice over LTE) under LTE Cat M1 and CS voice under GSM.
- ²⁾ LTE Cat NB2 is backward compatible with LTE Cat NB1.
- BG95-MF is still under planning. Therefore, details of it is currently not included and will be added in a future release of this document.
- GNSS function is optional.
- “*” means under development.

With a compact profile of 23.6 mm × 19.9 mm × 2.2 mm, BG95 can meet almost all requirements for M2M applications such as smart metering, tracking system, security, wireless POS, etc.

BG95 is an SMD type module which can be embedded into applications through its 102 LGA pads. It supports internet service protocols like TCP, UDP and PPP. Extended AT commands have been developed for customers to use these internet service protocols easily.

2.2. Key Features

The following table describes the detailed features of BG95 series modules.

Table 3: Key Features of BG95 Series Modules

Features	Details
Power Supply	BG95-M1/-M2/-N1: <ul style="list-style-type: none"> ● Supply voltage ¹⁾: 2.6–4.8 V ● Typical supply voltage: 3.3 V BG95-M3/-M5: <ul style="list-style-type: none"> ● Supply voltage: 3.3–4.3 V ● Typical supply voltage: 3.8 V BG95-M4: <ul style="list-style-type: none"> ● Typical supply voltage: 3.8 V
Transmitting Power	<ul style="list-style-type: none"> ● Class 5 (21 dBm +1.7/-3 dB) for LTE-FDD bands ● Class 3 (23 dBm ±2 dB) for LTE-FDD bands ● Class 4 (33 dBm ±2 dB) for GSM850 ● Class 4 (33 dBm ±2 dB) for EGSM900 ● Class 1 (30 dBm ±2 dB) for DCS1800 ● Class 1 (30 dBm ±2 dB) for PCS1900 ● Class E2 (27 dBm ±3 dB) for GSM850 8-PSK ● Class E2 (27 dBm ±3 dB) for EGSM900 8-PSK ● Class E2 (26 dBm ±3 dB) for DCS1800 8-PSK ● Class E2 (26 dBm ±3 dB) for PCS1900 8-PSK
LTE Features	<ul style="list-style-type: none"> ● Support 3GPP Rel. 14 ● Support LTE Cat M1 and LTE Cat NB2 ● Support 1.4 MHz RF bandwidth for LTE Cat M1 ● Support 200 KHz RF bandwidth for LTE Cat NB2 ● Cat M1: Max. 588 kbps (DL)/1119 kbps (UL) ● Cat NB2: Max. 127 kbps (DL)/158.5 kbps (UL)
GSM Features	GPRS: <ul style="list-style-type: none"> ● Support GPRS multi-slot class 33 (33 by default) ● Coding scheme: CS-1, CS-2, CS-3 and CS-4 ● Max. 107 kbps (DL), Max. 85.6 kbps (UL) EDGE: <ul style="list-style-type: none"> ● Support EDGE multi-slot class 33 (33 by default) ● Support GMSK and 8-PSK for different MCS (Modulation and Coding Scheme) ● Downlink coding schemes: CS 1-4 and MCS 1-9 ● Uplink coding schemes: CS 1-4 and MCS 1-9 ● Max. 296 kbps (DL), Max. 236.8 kbps (UL)
Internet Protocol Features	<ul style="list-style-type: none"> ● Support PPP/TCP/UDP/SSL/TLS/FTP(S)/HTTP(S)/NITZ/PING/MQTT/CoAP protocols ● Support PAP (Password Authentication Protocol) and CHAP (Challenge Handshake Authentication Protocol) protocols which are usually used for PPP connections

SMS	<ul style="list-style-type: none"> ● Text and PDU mode ● Point to point MO and MT ● SMS cell broadcast ● SMS storage: ME by default
(U)SIM Interface	Support 1.8 V USIM/SIM card only
PCM Interface*	Support one digital audio interface: PCM interface
USB Interface	<ul style="list-style-type: none"> ● Compliant with USB 2.0 specification (slave only) ● Support operations at low-speed and full-speed ● Used for AT command communication, data transmission, GNSS NMEA output, software debugging and firmware upgrade ● Support USB serial drivers for Windows 7/8/8.1/10, Linux 2.6–5.4, Android 4.x/5.x/6.x/7.x/8.x/9.x
UART Interfaces	<p>Main UART:</p> <ul style="list-style-type: none"> ● Used for data transmission and AT command communication ● 115200 bps baud rate by default ● The default frame format is 8N1 (8 data bits, no parity, 1 stop bit) ● Support RTS and CTS hardware flow control <p>Debug UART:</p> <ul style="list-style-type: none"> ● Used for software debugging and log output ● Support 115200 bps baud rate <p>GNSS UART:</p> <ul style="list-style-type: none"> ● Used for GNSS data and NMEA sentences output ● 115200 bps baud rate by default
GNSS (Optional)	<ul style="list-style-type: none"> ● Gen9 VT of Qualcomm (GPS, GLONASS, BeiDou, Galileo and QZSS) ● 1 Hz data update rate by default
AT Commands	3GPP TS 27.007 and 3GPP TS 27.005 AT commands, as well as Quectel enhanced AT commands
Network Indication	One NET_STATUS pin for network connectivity status indication
Antenna Interfaces	Main antenna (ANT_MAIN) and GNSS antenna (ANT_GNSS) interfaces
Physical Characteristics	<ul style="list-style-type: none"> ● Dimensions: (23.6 ±0.15) mm × (19.9 ±0.15) mm × (2.2 ±0.20) mm ● Weight: approx. 2.15 g
Temperature Range	<ul style="list-style-type: none"> ● Operation temperature range: -35 °C to +75 °C ¹⁾ ● Extended temperature range: -40 °C to +85 °C ²⁾ ● Storage temperature range: -40 °C to +90 °C
Firmware Upgrade	USB interface, DFOTA*
RoHS	All hardware components are fully compliant with EU RoHS directive

NOTES

1. ¹⁾ For every VBAT transition/re-insertion from 0 V, the minimum power supply voltage should be higher than 2.7 V. After the module starts up normally, the minimum safety voltage is 2.6 V. In order to ensure full-function mode, the minimum power supply voltage should be higher than 2.8 V.
2. ²⁾ Within operation temperature range, the module is 3GPP compliant.
3. ³⁾ Within extended temperature range, the module remains the ability to establish and maintain functions such as SMS and data transmission, without any unrecoverable malfunction. Radio spectrum and radio network will not be influenced, while one or more specifications, such as P_{out} , may exceed the specified tolerances of 3GPP. When the temperature returns to the normal operation temperature levels, the module will meet 3GPP specifications again.
4. “*” means under development.

2.3. Functional Diagram

The following figure shows a block diagram of BG95 and illustrates the major functional parts.

- Power management
- Baseband
- Radio frequency
- Peripheral interfaces

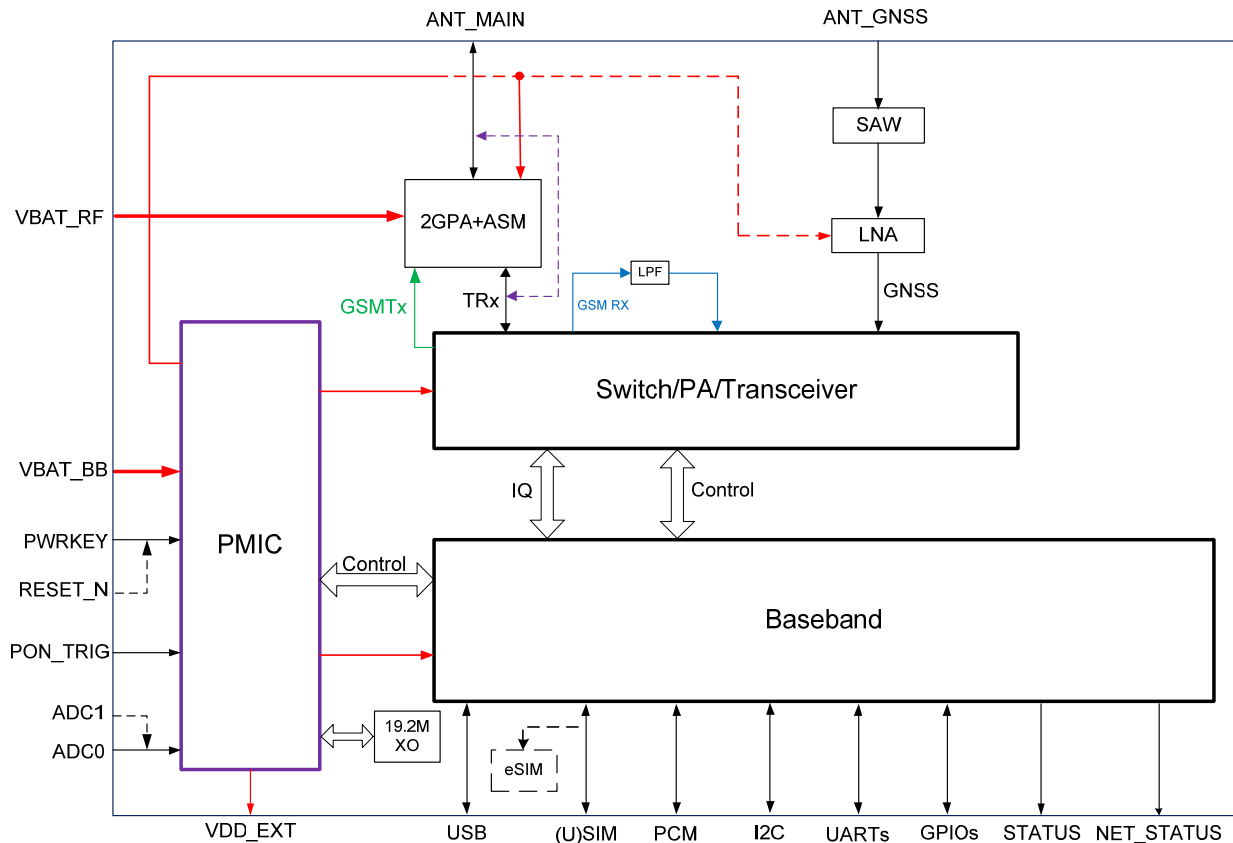


Figure 1: Functional Diagram

NOTES

1. eSIM function is optional. If eSIM is selected, then any external (U)SIM cannot be used.
2. PWRKEY output voltage is 1.5 V because of the voltage drop inside the Qualcomm chipset. Due to platform limitations, the chipset has integrated the reset function into PWRKEY. Therefore, PWRKEY should never be pulled down to GND permanently.
3. RESET_N is connected directly to PWRKEY inside the module.
4. ADC0 and ADC1 cannot be used simultaneously, as ADC1 is connected directly to ADC0 inside the module. BG95 supports use of only one ADC interface at a time: either ADC0 or ADC1.

2.4. Evaluation Board

In order to facilitate application development with BG95 conveniently, Quectel supplies the evaluation board (EVB), USB to RS-232 converter cable, USB data cable, earphone, antenna and other peripherals to control or test the module. For more details, please refer to **document [1]**.

3 Application Interfaces

BG95 is equipped with 102 LGA pads that can be connected to various cellular application platforms. The subsequent chapters will provide detailed descriptions of the following interfaces:

- Power supply
- PON_TRIG Interface
- (U)SIM interface
- USB interface
- UART interfaces
- PCM and I2C interfaces*
- Status indication interfaces
- USB_BOOT interface
- ADC interfaces
- GPIO interfaces*
- GRFC interfaces

NOTE

“*” means under development.

3.1. Pin Assignment

The following figure shows the pin assignment of BG95.

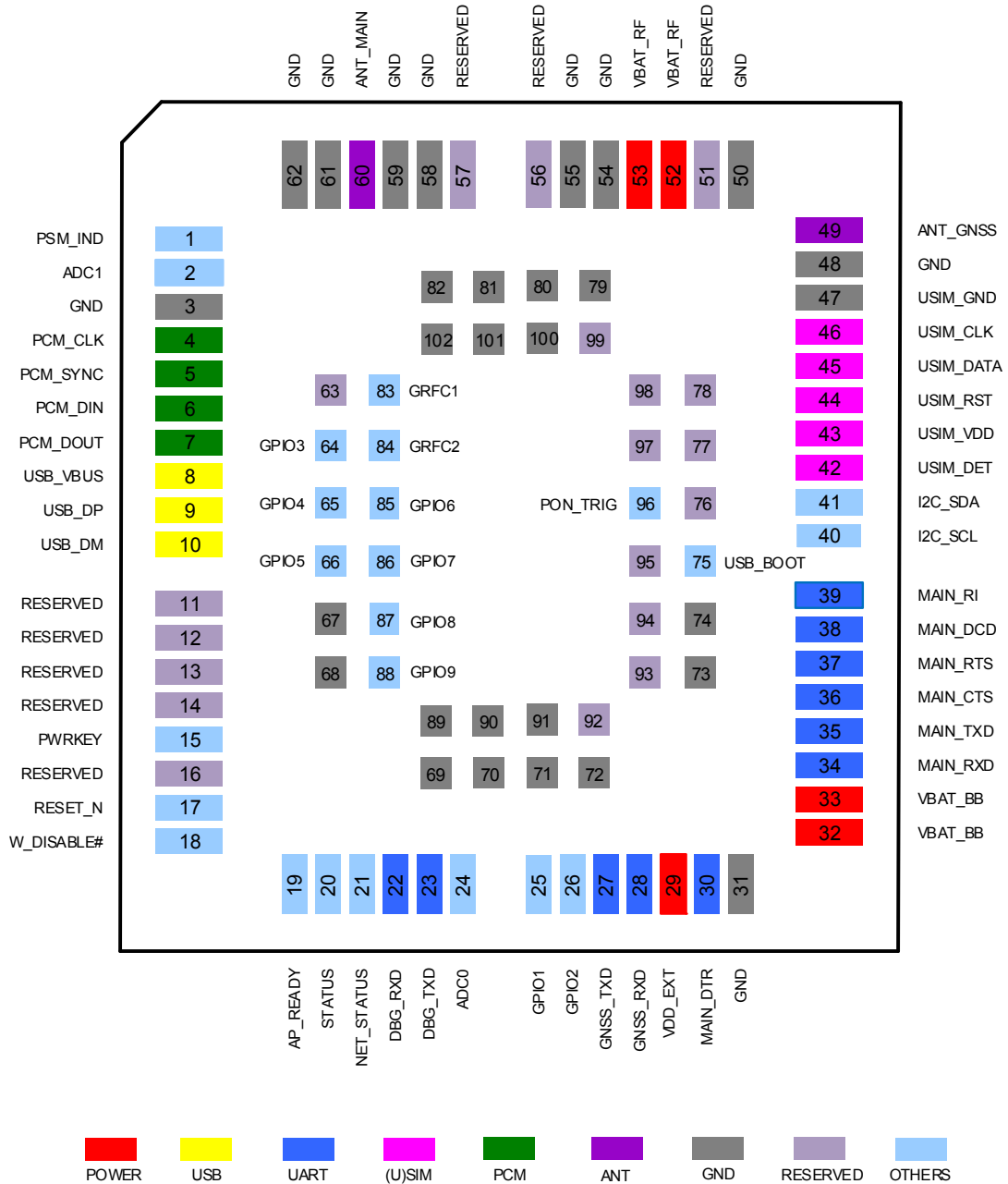


Figure 2: Pin Assignment (Top View)

NOTES

1. ADC0 and ADC1 cannot be used simultaneously, as ADC1 is connected directly to ADC0 inside the module. The module supports use of only one ADC interface at a time: either ADC0 or ADC1.
2. PWRKEY output voltage is 1.5 V because of the voltage drop inside the Qualcomm chipset. Due to platform limitations, the chipset has integrated the reset function into PWRKEY. Therefore, PWRKEY should never be pulled down to GND permanently.
3. RESET_N is connected directly to PWRKEY inside the module.
4. GNSS_TXD (pin 27) and GRFC2 (pin 84) are BOOT_CONFIG pins. They should not be pulled up before startup.
5. BG95-M4 does not support GRFC interfaces.
6. Keep all RESERVED pins and unused pins unconnected.
7. GND pins should be connected to ground in the design.

3.2. Pin Description

The following tables show the pin definition and description of BG95.

Table 4: Definition of I/O Parameters

Type	Description
AI	Analog Input
AO	Analog Output
DI	Digital Input
DO	Digital Output
IO	Bidirectional
PI	Power Input
PO	Power Output

Table 5: Pin Description

Power Supply					
Pin Name	Pin No.	I/O	Description	DC Characteristics	Comment
VBAT_BB	32, 33	PI	Power supply for the module's baseband part	BG95-M1/-M2/-N1: Vmax = 4.8 V Vmin = 2.6 V Vnorm = 3.3 V	Please refer to NOTE 1
				BG95-M3/-M5: Vmax = 4.3 V Vmin = 3.3 V Vnorm = 3.8 V	
				BG95-M4: Vnorm = 3.8 V	
VBAT_RF	52, 53	PI	Power supply for the module's RF part	BG95-M1/-M2/-N1: Vmax = 4.8 V Vmin = 2.6 V Vnorm = 3.3 V	Please refer to NOTE 1
				BG95-M3/-M5: Vmax = 4.3 V Vmin = 3.3 V Vnorm = 3.8 V	
				BG95-M4: Vnorm = 3.8 V	
VDD_EXT	29	PO	1.8 V output power supply for external circuits	Vnorm = 1.8 V I _{Omax} = 50 mA	If unused, keep this pin open
GND	3, 31, 48, 50, 54, 55, 58, 59, 61, 62, 67–74, 79–82, 89–91, 100–102		Ground		
Turn on/off					
Pin Name	Pin No.	I/O	Description	DC Characteristics	Comment

PWRKEY	15	DI	Turn on/off the module	Vnorm = 1.5 V V _{IL} max = 0.45 V	PWRKEY should never be pulled down to GND permanently.
Reset					
Pin Name	Pin No.	I/O	Description	DC Characteristics	Comment
RESET_N	17	DI	Reset the module	Vnorm = 1.5 V V _{IL} max = 0.45 V	
Status Indication					
Pin Name	Pin No.	I/O	Description	DC Characteristics	Comment
PSM_IND*	1	DO	Power saving mode indication	V _{OH} min = 1.35 V V _{OL} max = 0.45 V	1.8 V power domain. If unused, keep this pin open.
STATUS	20	DO	Module operation status indication	V _{OH} min = 1.35 V V _{OL} max = 0.45 V	1.8 V power domain. If unused, keep this pin open.
NET_STATUS	21	DO	Indicate the module's network activity status	V _{OH} min = 1.35 V V _{OL} max = 0.45 V	1.8 V power domain. If unused, keep this pin open.
USB Interface					
Pin Name	Pin No.	I/O	Description	DC Characteristics	Comment
USB_VBUS	8	AI	USB connection detection	Vnorm = 5.0 V	Typical 5.0 V
USB_DP	9	IO	USB differential data (+)		Compliant with USB 2.0 standard specification.
USB_DM	10	IO	USB differential data (-)		Require differential impedance of 90 Ω.
(U)SIM Interface					
Pin Name	Pin No.	I/O	Description	DC Characteristics	Comment
USIM_DET*	42	DI	(U)SIM card hot-plug detection	V _{IL} min = -0.3 V V _{IL} max = 0.6 V V _{IH} min = 1.2 V V _{IH} max = 2.0 V	1.8 V power domain. If unused, keep this pin open.
USIM_VDD	43	PO	(U)SIM card power supply	Vmax = 1.9 V Vmin = 1.7 V	Only 1.8 V (U)SIM card is supported.

USIM_RST	44	DO	(U)SIM card reset	$V_{OLmax} = 0.45\text{ V}$ $V_{OHmin} = 1.35\text{ V}$
USIM_DATA	45	IO	(U)SIM card data	$V_{ILmin} = -0.3\text{ V}$ $V_{ILmax} = 0.6\text{ V}$ $V_{IHmin} = 1.2\text{ V}$ $V_{IHmax} = 2.0\text{ V}$ $V_{OLmax} = 0.45\text{ V}$ $V_{OHmin} = 1.35\text{ V}$
USIM_CLK	46	DO	(U)SIM card clock	$V_{OLmax} = 0.45\text{ V}$ $V_{OHmin} = 1.35\text{ V}$
USIM_GND	47		(U)SIM card ground	

Main UART Interface

Pin Name	Pin No.	I/O	Description	DC Characteristics	Comment
MAIN_DTR	30	DI	Main UART data terminal ready	$V_{ILmin} = -0.3\text{ V}$ $V_{ILmax} = 0.6\text{ V}$ $V_{IHmin} = 1.2\text{ V}$ $V_{IHmax} = 2.0\text{ V}$	1.8 V power domain. If unused, keep this pin open.
MAIN_RXD	34	DI	Main UART receive	$V_{ILmin} = -0.3\text{ V}$ $V_{ILmax} = 0.6\text{ V}$ $V_{IHmin} = 1.2\text{ V}$ $V_{IHmax} = 2.0\text{ V}$	1.8 V power domain. If unused, keep this pin open.
MAIN_TXD	35	DO	Main UART transmit	$V_{OLmax} = 0.45\text{ V}$ $V_{OHmin} = 1.35\text{ V}$	1.8 V power domain. If unused, keep this pin open.
MAIN_CTS	36	DO	Main UART clear to send	$V_{OLmax} = 0.45\text{ V}$ $V_{OHmin} = 1.35\text{ V}$	1.8 V power domain. If unused, keep this pin open.
MAIN_RTS	37	DI	Main UART request to send	$V_{ILmin} = -0.3\text{ V}$ $V_{ILmax} = 0.6\text{ V}$ $V_{IHmin} = 1.2\text{ V}$ $V_{IHmax} = 2.0\text{ V}$	1.8 V power domain. If unused, keep this pin open.
MAIN_DCD	38	DO	Main UART data carrier detect	$V_{OLmax} = 0.45\text{ V}$ $V_{OHmin} = 1.35\text{ V}$	1.8 V power domain. If unused, keep this pin open.
MAIN_RI	39	DO	Main UART ring indication	$V_{OLmax} = 0.45\text{ V}$ $V_{OHmin} = 1.35\text{ V}$	1.8 V power domain. If unused, keep this pin open.

Debug UART Interface

Pin Name	Pin No.	I/O	Description	DC Characteristics	Comment
----------	---------	-----	-------------	--------------------	---------

DBG_RXD	22	DI	Debug UART receive	$V_{ILmin} = -0.3\text{ V}$ $V_{ILmax} = 0.6\text{ V}$ $V_{IHmin} = 1.2\text{ V}$ $V_{IHmax} = 2.0\text{ V}$	1.8 V power domain. If unused, keep this pin open.
DBG_TXD	23	DO	Debug UART transmit	$V_{OLmax} = 0.45\text{ V}$ $V_{OHmin} = 1.35\text{ V}$	1.8 V power domain. If unused, keep this pin open.
GNSS UART Interface					
Pin Name	Pin No.	I/O	Description	DC Characteristics	Comment
GNSS_TXD	27	DO	GNSS UART transmit	$V_{OLmax} = 0.45\text{ V}$ $V_{OHmin} = 1.35\text{ V}$	BOOT_CONFIG. Do not pull it up before startup. 1.8 V power domain. If unused, keep this pin open.
GNSS_RXD	28	DI	GNSS UART receive	$V_{ILmin} = -0.3\text{ V}$ $V_{ILmax} = 0.6\text{ V}$ $V_{IHmin} = 1.2\text{ V}$ $V_{IHmax} = 2.0\text{ V}$	1.8 V power domain. If unused, keep this pin open.
PCM Interface*					
Pin Name	Pin No.	I/O	Description	DC Characteristics	Comment
PCM_CLK	4	DO	PCM clock	$V_{OLmax} = 0.45\text{ V}$ $V_{OHmin} = 1.35\text{ V}$	1.8 V power domain. If unused, keep this pin open.
PCM_SYNC	5	DO	PCM data frame sync	$V_{OLmax} = 0.45\text{ V}$ $V_{OHmin} = 1.35\text{ V}$	1.8 V power domain. If unused, keep this pin open.
PCM_DIN	6	DI	PCM data input	$V_{ILmin} = -0.3\text{ V}$ $V_{ILmax} = 0.6\text{ V}$ $V_{IHmin} = 1.2\text{ V}$ $V_{IHmax} = 2.0\text{ V}$	1.8 V power domain. If unused, keep this pin open.
PCM_DOUT	7	DO	PCM data output	$V_{OLmax} = 0.45\text{ V}$ $V_{OHmin} = 1.35\text{ V}$	1.8 V power domain. If unused, keep this pin open.
I2C Interface*					
Pin Name	Pin No.	I/O	Description	DC Characteristics	Comment
I2C_SCL	40	OD	I2C serial clock (for external codec)		External pull-up resistor is required. 1.8 V only.

					If unused, keep this pin open.
I2C_SDA	41	OD	I2C serial data (for external codec)		External pull-up resistor is required. 1.8 V only. If unused, keep this pin open.

Antenna Interfaces

Pin Name	Pin No.	I/O	Description	DC Characteristics	Comment
ANT_MAIN	60	IO	Main antenna interface		50 Ω impedance
ANT_GNSS	49	AI	GNSS antenna interface		50 Ω impedance. If unused, keep this pin open.

GPIO Interfaces*

Pin Name	Pin No.	I/O	Description	DC Characteristics	Comment
GPIO1	25	IO	General-purpose input/output	$V_{OLmax} = 0.45\text{ V}$ $V_{OHmin} = 1.35\text{ V}$ $V_{ILmin} = -0.3\text{ V}$ $V_{ILmax} = 0.6\text{ V}$ $V_{IHmin} = 1.2\text{ V}$ $V_{IHmax} = 2.0\text{ V}$	1.8 V power domain. If unused, keep this pin open.
GPIO2	26	IO	General-purpose input/output	$V_{OLmax} = 0.45\text{ V}$ $V_{OHmin} = 1.35\text{ V}$ $V_{ILmin} = -0.3\text{ V}$ $V_{ILmax} = 0.6\text{ V}$ $V_{IHmin} = 1.2\text{ V}$ $V_{IHmax} = 2.0\text{ V}$	1.8 V power domain. If unused, keep this pin open.
GPIO3	64	IO	General-purpose input/output	$V_{OLmax} = 0.45\text{ V}$ $V_{OHmin} = 1.35\text{ V}$ $V_{ILmin} = -0.3\text{ V}$ $V_{ILmax} = 0.6\text{ V}$ $V_{IHmin} = 1.2\text{ V}$ $V_{IHmax} = 2.0\text{ V}$	1.8 V power domain. If unused, keep this pin open.
GPIO4	65	IO	General-purpose input/output	$V_{OLmax} = 0.45\text{ V}$ $V_{OHmin} = 1.35\text{ V}$ $V_{ILmin} = -0.3\text{ V}$ $V_{ILmax} = 0.6\text{ V}$ $V_{IHmin} = 1.2\text{ V}$ $V_{IHmax} = 2.0\text{ V}$	1.8 V power domain. If unused, keep this pin open.

GPIO5	66	IO	General-purpose input/output	$V_{OLmax} = 0.45\text{ V}$ $V_{OHmin} = 1.35\text{ V}$ $V_{ILmin} = -0.3\text{ V}$ $V_{ILmax} = 0.6\text{ V}$ $V_{IHmin} = 1.2\text{ V}$ $V_{IHmax} = 2.0\text{ V}$	1.8 V power domain. If unused, keep this pin open.
GPIO6	85	IO	General-purpose input/output	$V_{OLmax} = 0.45\text{ V}$ $V_{OHmin} = 1.35\text{ V}$ $V_{ILmin} = -0.3\text{ V}$ $V_{ILmax} = 0.6\text{ V}$ $V_{IHmin} = 1.2\text{ V}$ $V_{IHmax} = 2.0\text{ V}$	1.8 V power domain. If unused, keep this pin open.
GPIO7	86	IO	General-purpose input/output	$V_{OLmax} = 0.45\text{ V}$ $V_{OHmin} = 1.35\text{ V}$ $V_{ILmin} = -0.3\text{ V}$ $V_{ILmax} = 0.6\text{ V}$ $V_{IHmin} = 1.2\text{ V}$ $V_{IHmax} = 2.0\text{ V}$	1.8 V power domain. If unused, keep this pin open.
GPIO8	87	IO	General-purpose input/output	$V_{OLmax} = 0.45\text{ V}$ $V_{OHmin} = 1.35\text{ V}$ $V_{ILmin} = -0.3\text{ V}$ $V_{ILmax} = 0.6\text{ V}$ $V_{IHmin} = 1.2\text{ V}$ $V_{IHmax} = 2.0\text{ V}$	1.8 V power domain. If unused, keep this pin open.
GPIO9	88	IO	General-purpose input/output	$V_{OLmax} = 0.45\text{ V}$ $V_{OHmin} = 1.35\text{ V}$ $V_{ILmin} = -0.3\text{ V}$ $V_{ILmax} = 0.6\text{ V}$ $V_{IHmin} = 1.2\text{ V}$ $V_{IHmax} = 2.0\text{ V}$	1.8 V power domain. If unused, keep this pin open.

ADC Interfaces

Pin Name	Pin No.	I/O	Description	DC Characteristics	Comment
ADC0	24	AI	General-purpose ADC interface	Voltage range: 0.1–1.8 V	ADC0 and ADC1 cannot be used simultaneously.
ADC1	2	AI	General-purpose ADC interface	Voltage range: 0.1–1.8 V	If unused, keep these pins open.

Other Interface Pins

Pin Name	Pin No.	I/O	Description	DC Characteristics	Comment
W_DISABLE#*	18	DI	Airplane mode control	$V_{ILmin} = -0.3\text{ V}$ $V_{ILmax} = 0.6\text{ V}$	1.8 V power domain. Pulled up by default.

				$V_{IHmin} = 1.2\text{ V}$ $V_{IHmax} = 2.0\text{ V}$	When it is in low voltage level, the module can enter airplane mode. If unused, keep this pin open.
AP_READY*	19	DI	Application processor sleep state detection	$V_{ILmin} = -0.3\text{ V}$ $V_{ILmax} = 0.6\text{ V}$ $V_{IHmin} = 1.2\text{ V}$ $V_{IHmax} = 2.0\text{ V}$	1.8 V power domain. If unused, keep this pin open.
USB_BOOT	75	DI	Force the module into emergency download mode	$V_{ILmin} = -0.3\text{ V}$ $V_{ILmax} = 0.6\text{ V}$ $V_{IHmin} = 1.2\text{ V}$ $V_{IHmax} = 2.0\text{ V}$	1.8 V power domain. If unused, keep this pin open.
PON_TRIG	96	DI	Wake up the module from PSM		1.8 V power domain. Rising-edge triggered. Pulled-down by default. If unused, keep this pin open.

GRFC Interfaces

Pin Name	Pin No.	I/O	Description	DC Characteristics	Comment
GRFC1	83	DO	Generic RF controller	$V_{OLmax} = 0.45\text{ V}$ $V_{OHmin} = 1.35\text{ V}$	1.8 V power domain. If unused, keep this pin open.
GRFC2	84	DO	Generic RF controller	$V_{OLmax} = 0.45\text{ V}$ $V_{OHmin} = 1.35\text{ V}$	BOOT_CONFIG. Do not pull it up before startup. 1.8 V power domain. If unused, keep this pin open.

RESERVED Pins

Pin Name	Pin No.	I/O	Description	DC Characteristics	Comment
RESERVED	11–14, 16, 51, 56, 57, 63, 76–78, 92–95, 97–99		Reserved		Keep these pins open.

NOTES

1. For every VBAT transition/re-insertion from 0 V, the minimum power supply voltage should be higher than 2.7 V. After the module starts up normally, the minimum safety voltage is 2.6 V. In order to ensure full-function mode, the minimum power supply voltage should be higher than 2.8 V.
2. PWRKEY output voltage is 1.5 V because of the voltage drop inside the Qualcomm chipset. Due to platform limitations, the chipset has integrated the reset function into PWRKEY. Therefore, PWRKEY should never be pulled down to GND permanently.
3. RESET_N is connected directly to PWRKEY inside the module.
4. ADC0 and ADC1 cannot be used simultaneously, as ADC1 is connected directly to ADC0 inside the module. The module supports use of only one ADC interface at a time: either ADC0 or ADC1.
5. When PSM is enabled, the function of PSM_IND pin will be activated after the module is rebooted. When PSM_IND is in high voltage level, the module is in normal operation state, when it is in low voltage level, the module is in PSM. This function is under development currently.
6. GNSS_TXD (pin 27) and GRFC2 (pin 84) are BOOT_CONFIG pins. They should not be pulled up before startup.
7. BG95-M4 does not support GRFC interfaces.
8. Keep all RESERVED pins and unused pins unconnected.
9. “*” means under development.

3.3. Operating Modes

The table below briefly summarizes the various operating modes of BG95.

Table 6: Overview of BG95 Operating Modes

Mode	Details	
Normal Operation	Connected	Network has been connected. In this mode, the power consumption may vary with the network setting and data transfer rate.
	Idle	Software is active. The module remains registered on network, and it is ready to send and receive data.
Extended Idle Mode DRX (e-I-DRX)	BG95 module and the network may negotiate over non-access stratum signaling the use of e-I-DRX for reducing power consumption, while being available for mobile terminating data and/or network originated procedures within a certain delay dependent on the DRX cycle value.	
Airplane Mode	AT+CFUN=4 or W_DISABLE#* pin can set the module into airplane mode. In this case, RF function will be invalid.	
Minimum Functionality	AT+CFUN=0 can set the module into a minimum functionality mode without removing the power supply. In this case, both RF function and (U)SIM card will be invalid.	

Mode	
Sleep Mode	In this mode, the current consumption of the module will be reduced to a lower level. During this mode, the module can still receive paging message, SMS and TCP/UDP data from the network normally.
Power OFF Mode	In this mode, the power management unit shuts down the power supply. The software is not active. The serial interfaces are not accessible. But the operating voltage (connected to VBAT_RF and VBAT_BB) remains applied.
Power Saving Mode (PSM)	The module may enter PSM to reduce its power consumption. PSM is similar to power-off, but the module remains registered on the network and there is no need to re-attach or re-establish PDN connections.

NOTES

1. During e-I-DRX, it is recommended to use UART interface for data communication, as the use of USB interface will increase power consumption.
2. "*" means under development.

3.4. Power Saving

3.4.1. Airplane Mode

When the module enters airplane mode, the RF function does not work, and all AT commands correlative with RF function will be inaccessible. This mode can be set via the following ways.

Hardware:

W_DISABLE#* is pulled up by default. Driving it low will let the module enter airplane mode.

Software:

AT+CFUN=<fun> provides choice of the functionality level, through setting <fun> into 0, 1 or 4.

- AT+CFUN=0: Minimum functionality mode. Both (U)SIM and RF functions are disabled.
- AT+CFUN=1: Full functionality mode (by default).
- AT+CFUN=4: Airplane mode. RF function is disabled.

NOTES

1. Airplane mode control via W_DISABLE# is disabled in firmware by default. It can be enabled by AT+QCFG="airplanecontrol" command which is still under development. Details about the command will be provided in *document [2]*.

2. The execution of **AT+CFUN** command will not affect GNSS function.
3. "*" means under development.

3.4.2. Power Saving Mode (PSM)

BG95 module can enter PSM to reduce its power consumption. The mode is similar to power-off, but the module remains registered on the network and there is no need to re-attach or re-establish PDN connections. So BG95 in PSM cannot immediately respond users' requests.

When the module wants to use the PSM it shall request an Active Time value during every Attach and TAU procedures. If the network supports PSM and accepts that the module uses PSM, it will confirm the usage of PSM by allocating an Active Time value to the module. If the module wants to change the Active Time value, e.g. when the conditions are changed in the module, the module consequently requests the value it wants in the TAU procedure.

If PSM is supported by the network, then it can be enabled via **AT+CPSMS** command.

Either of the following methods will wake up the module from PSM:

- A rising edge on PON_TRIG will wake up the module from PSM. (Recommended)
- Drive PWRKEY low will wake up the module.
- When the T3412_Ext timer expires, the module will be woken up automatically.

NOTE

Please refer to **document [2]** for details about **AT+CPSMS** command.

3.4.3. Extended Idle Mode DRX (e-I-DRX)

The module (UE) and the network may negotiate over non-access stratum signalling the use of e-I-DRX for reducing its power consumption, while being available for mobile terminating data and/or network originated procedures within a certain delay dependent on the DRX cycle value.

Applications that want to use e-I-DRX need to consider specific handling of mobile terminating services or data transfers, and in particular they need to consider the delay tolerance of mobile terminated data.

In order to negotiate the use of e-I-DRX, the UE requests e-I-DRX parameters during attach procedure and RAU/TAU procedure. The EPC may reject or accept the UE request for enabling e-I-DRX. In case the EPC accepts e-I-DRX, the EPC based on operator policies and, if available, the e-I-DRX cycle length value in the subscription data from the HSS, may also provide different values of the e-I-DRX parameters than what was requested by the UE. If the EPC accepts the use of e-I-DRX, the UE applies e-I-DRX based on the received e-I-DRX parameters. If the UE does not receive e-I-DRX parameters in the relevant accept message because the EPC rejected its request or because the request was received by

EPC not supporting e-I-DRX, the UE shall apply its regular discontinuous reception.

If e-I-DRX is supported by the network, then it can be enabled by **AT+CEDRXS=1** command.

NOTE

Please refer to **document [2]** for details about **AT+CEDRXS** command.

3.4.4. Sleep Mode

BG95 is able to reduce its current consumption to a lower value during the sleep mode. The following sub-chapters describe the power saving procedure of BG95.

3.4.4.1. UART Application

If the host communicates with the module via UART interface, the following preconditions can let the module enter sleep mode.

- Execute **AT+QSCLK=1** command to enable sleep mode.
- Drive MAIN_DTR pin high.

The following figure shows the connection between the module and the host.

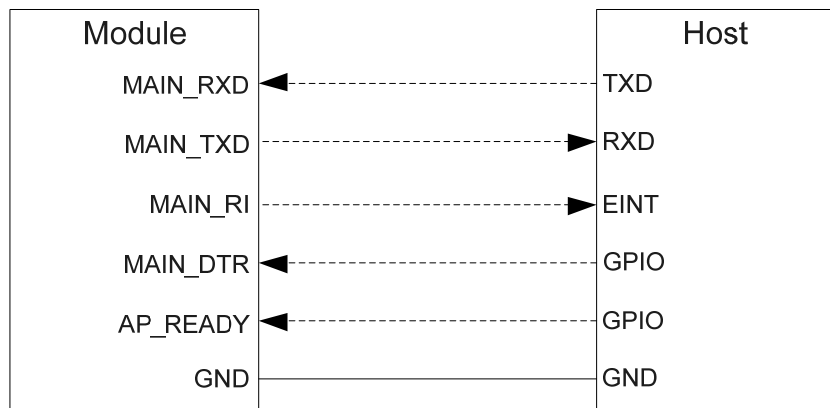


Figure 3: Sleep Mode Application via UART

- When BG95 has URC to report, MAIN_RI signal will wake up the host. Please refer to **Chapter 3.15** for details about MAIN_RI behavior.
- Driving the host MAIN_DTR low will wake up the module.
- AP_READY* will detect the sleep state of the host (can be configured to high level or low level detection). Please refer to **AT+QCFG="apready"** command in **document [2]** for details.

NOTE

“*” means under development.

3.5. Power Supply

3.5.1. Power Supply Pins

BG95 provides the following four VBAT pins for connection with an external power supply. There are two separate voltage domains for VBAT.

- Two VBAT_RF pins for module's RF part.
- Two VBAT_BB pins for module's baseband part.

The following table shows the details of VBAT pins and ground pins.

Table 7: VBAT and GND Pins

Pin Name	Pin No.	Description	Module	Min.	Typ.	Max.	Unit
VBAT_RF	52, 53	Power supply for the module's RF part	BG95-M1/-M2/-N1 ¹⁾	2.6	3.3	4.8	V
			BG95-M3/-M5	3.3	3.8	4.3	V
			BG95-M4		3.8		V
VBAT_BB	32, 33	Power supply for the module's baseband part	BG95-M1/-M2/-N1 ¹⁾	2.6	3.3	4.8	V
			BG95-M3/-M5	3.3	3.8	4.3	V
			BG95-M4		3.8		V
GND	3, 31, 48, 50, 54, 55, 58, 59, 61, 62, 67–74, 79–82, 89–91, 100–102	Ground		-	-	-	-

NOTE

1) For every VBAT transition/re-insertion from 0 V, the minimum power supply voltage should be higher than 2.7 V. After the module starts up normally, the minimum safety voltage is 2.6 V. In order to ensure full-function mode, the minimum power supply voltage should be higher than 2.8 V.

3.5.2. Decrease Voltage Drop

- **BG95-M1/-M2/-N1:** The power supply range of BG95-M1/-M2/-N1 is from 2.6 V to 4.8 V. For every VBAT transition/re-insertion from 0 V, the minimum power supply voltage should be higher than 2.7 V. After the module starts up normally, the minimum safety voltage is 2.6 V. In order to ensure full-function mode, the minimum power supply voltage should be higher than 2.8 V. Please assure the input voltage will never drop below 2.6 V.
- **BG95-M3/-M5:** The power supply range of the BG95-M3/-M5 is from 3.3 V to 4.3 V. Please assure the input voltage will never drop below 3.3 V.
- **BG95-M4:** The typical power supply of BG95-M4 is 3.8 V.

The following figure shows the voltage drop during burst transmission in 2G network of BG95-M3/-M5. The voltage drop will be less in LTE Cat M1 and/or LTE Cat NB2 networks.

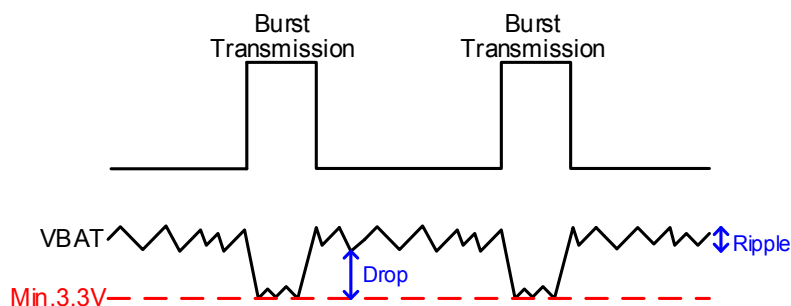


Figure 4: Power Supply Limits during Burst Transmission (BG95-M3/-M5)

To decrease voltage drop, a bypass capacitor of about 100 μF with low ESR should be used, and a multi-layer ceramic chip capacitor (MLCC) array should also be reserved due to its low ESR. It is recommended to use three ceramic capacitors (100 nF, 33 pF, 10 pF) for composing the MLCC array, and place these capacitors close to VBAT pins. The main power supply from an external application has to be a single voltage source and can be expanded to two sub paths with star structure. The width of VBAT_BB trace should be no less than 0.6 mm, and the width of VBAT_RF trace should be no less than 2 mm. In principle, the longer the VBAT trace is, the wider it will be.

In addition, in order to get a stable power source, it is suggested to use a TVS with low leakage current and suitable reverse stand-off voltage, and also it is recommended to place it as close to the VBAT pins as

possible. The following figure shows the star structure of the power supply.

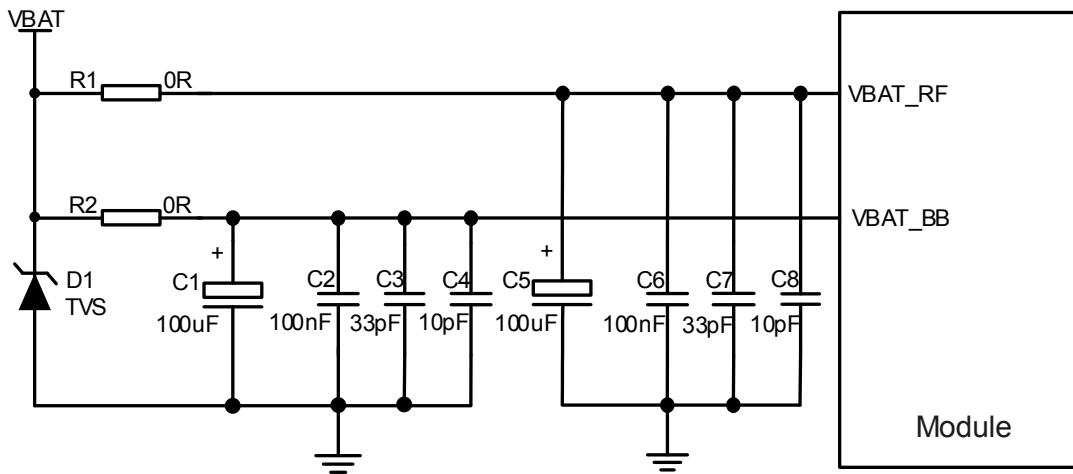


Figure 5: Star Structure of the Power Supply

3.5.3. Monitor the Power Supply

AT+CBC command can be used to monitor the VBAT_BB voltage value. For more details, please refer to [document \[2\]](#).

3.6. Turn on and off Scenarios

3.6.1. Turn on Module Using the PWRKEY Pin

The following table shows the pin definition of PWRKEY.

Table 8: Pin Definition of PWRKEY

Pin Name	Pin No.	Description	DC Characteristics	Comment
PWRKEY	15	Turn on/off the module	Vnorm = 1.5 V V _{IL} max = 0.45 V	The output voltage is 1.5 V because of the voltage drop inside the Qualcomm chipset.

When BG95 is in power off mode, it can be turned on by driving PWRKEY low for 500–1000 ms. It is recommended to use an open drain/collector driver to control the PWRKEY. A simple reference circuit is illustrated in the following figure.

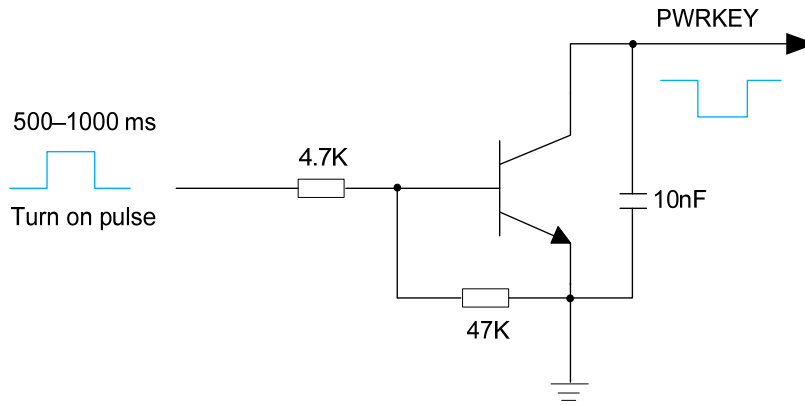


Figure 6: Turn on the Module Using Driving Circuit

Another way to control the PWRKEY is using a button directly. When pressing the key, electrostatic strike may generate from the finger. Therefore, a TVS component is indispensable to be placed nearby the button for ESD protection. A reference circuit is shown in the following figure.

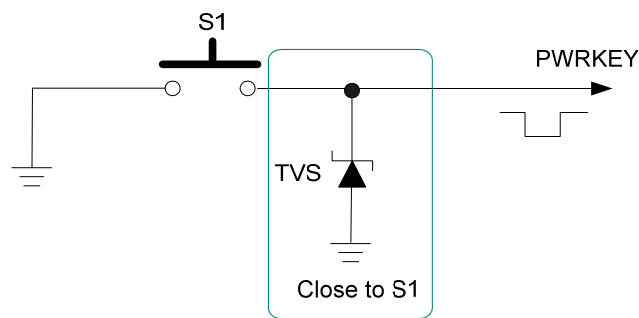


Figure 7: Turn on the Module Using Keystroke

The power on scenario is illustrated in the following figure.

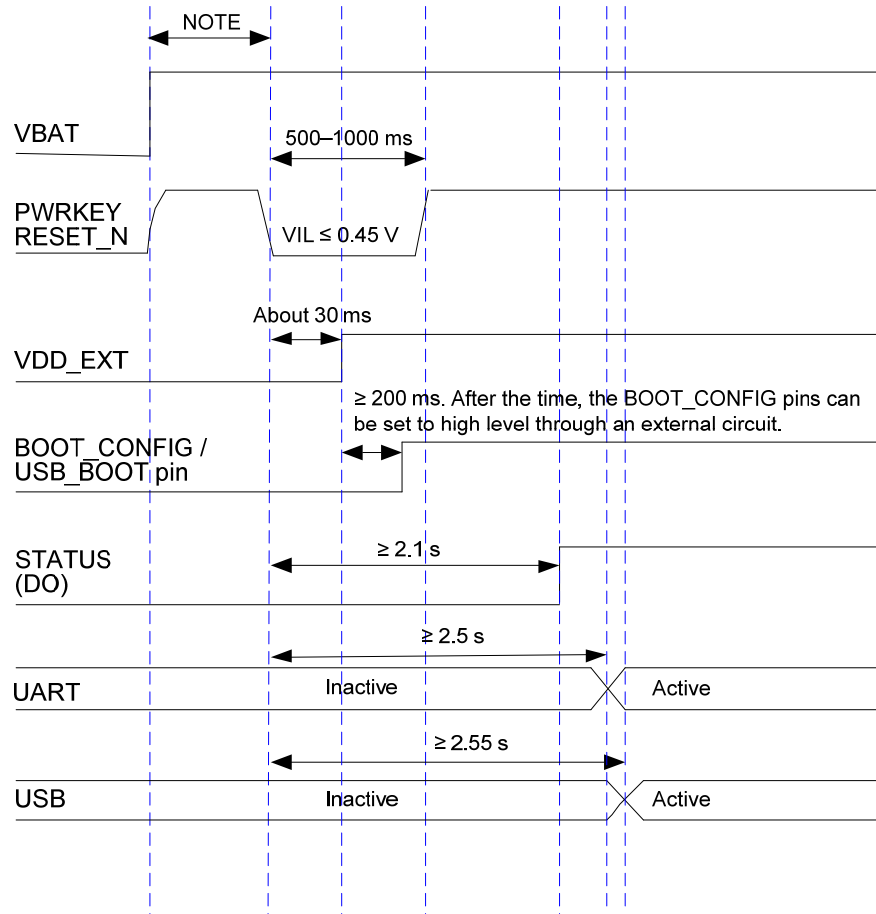


Figure 8: Power-on Timing

NOTES

1. Make sure that VBAT is stable before pulling down PWRKEY pin and keep the interval no less than 30 ms.
2. PWRKEY output voltage is 1.5 V because of the voltage drop inside the Qualcomm chipset. Due to platform limitations, the chipset has integrated the reset function into PWRKEY. Therefore, PWRKEY should never be pulled down to GND permanently.

3.6.2. Turn off Module

Either of the following methods can be used to turn off the module:

- Turn off the module through PWRKEY.
- Turn off the module through **AT+QPOWD** command.

3.6.2.1. Turn off Module through PWRKEY

Driving PWRKEY low for 650–1500 ms, the module will execute power-down procedure after PWRKEY is released.

The power-off scenario is illustrated in the following figure.

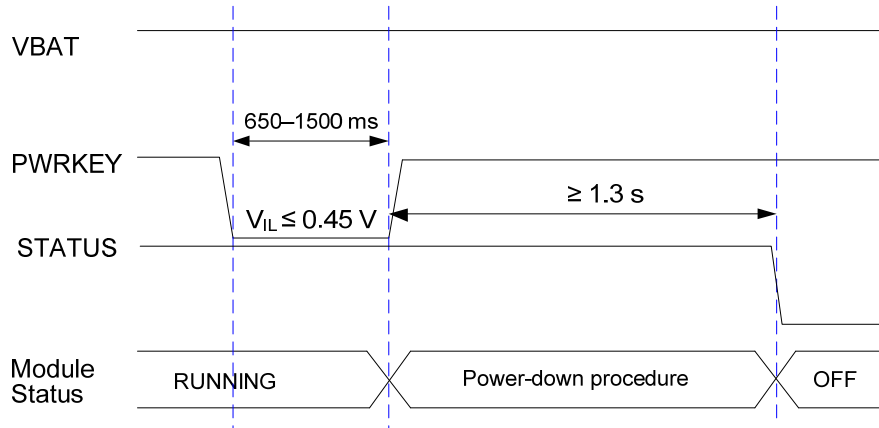


Figure 9: Power-off Timing

3.6.2.2. Turn off Module through AT Command

It is also a safe way to use **AT+QPOWD** command to turn off the module, which is similar to turning off the module via PWRKEY.

Please refer to **document [2]** for details about **AT+QPOWD** command.

3.7. Reset the Module

RESET_N is used to reset the module. Due to platform limitations, the chipset has integrated the reset function into PWRKEY, and RESET_N is connected directly to PWRKEY inside the module.

The module can be reset by driving RESET_N low for 2–3.8s.

Table 9: Pin Definition of RESET_N

Pin Name	Pin No.	Description	DC Characteristics	Comment
RESET_N	17	Reset the module	$V_{ILmax} = 0.45\text{ V}$	Multiplexed from PWRKEY (connected directly to PWRKEY inside the module).

The reset scenario is illustrated in the following figure.

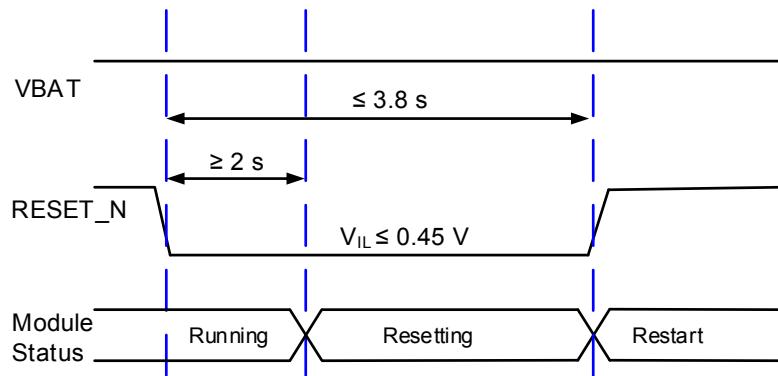


Figure 10: Reset Timing

The recommended circuit is similar to the PWRKEY control circuit. An open drain/collector driver or button can be used to control the RESET_N pin.

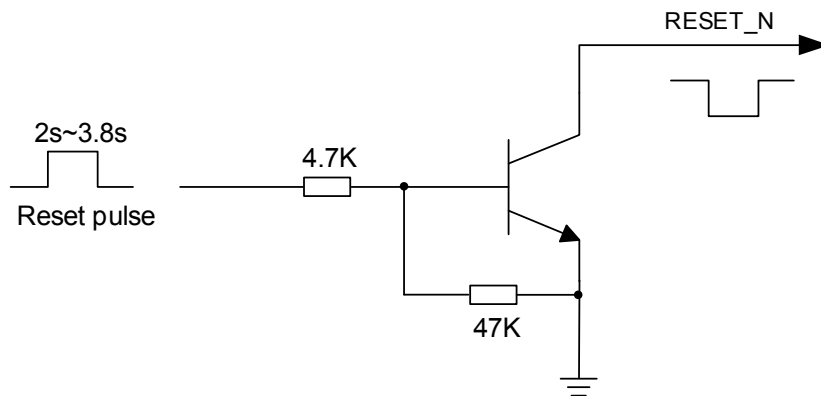


Figure 11: Reference Circuit of RESET_N by Using Driving Circuit

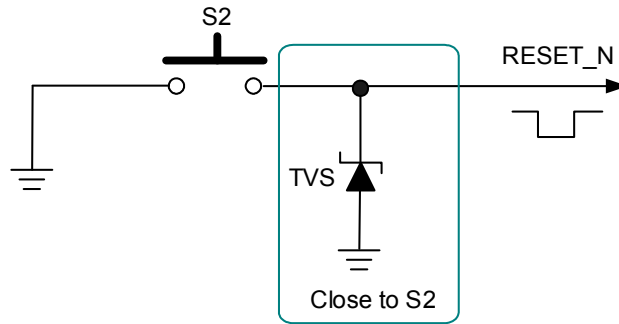


Figure 12: Reference Circuit of RESET_N by Using Button

NOTE

Please assure that there is no large capacitance on RESET_N pin.

3.8. PON_TRIG Interface

BG95 provides one PON_TRIG pin which is used to wake up the module from PSM. When the pin detects a rising edge, the module will be woken up from PSM.

Table 10: Pin Definition of PON_TRIG Interface

Pin Name	Pin No.	I/O	Description	Comment
PON_TRIG	96	DI	Wake up the module from PSM	Rising-edge triggered. Pulled-down by default. 1.8 V power domain.

A reference circuit is shown in the following figure.

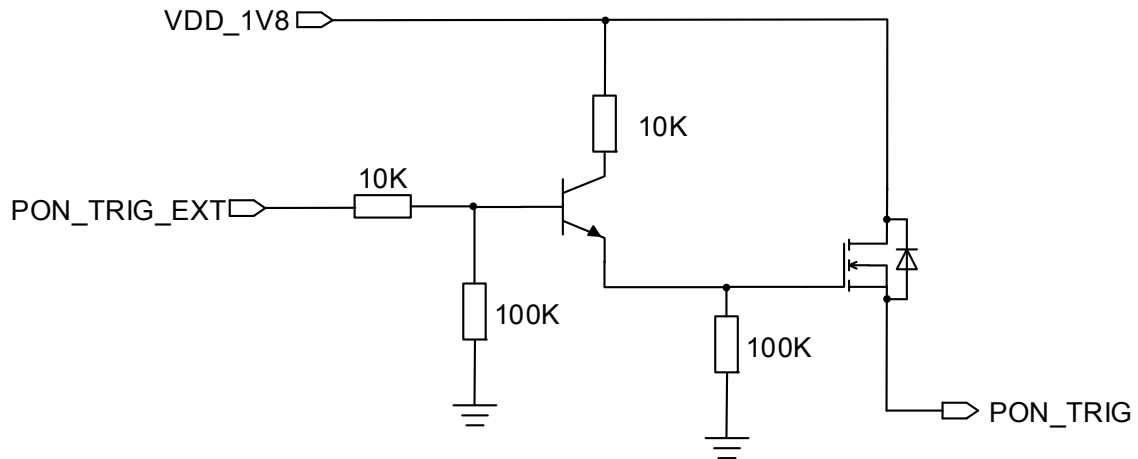


Figure 13: Reference Circuit of PON_TRIG

NOTE

VDD_1V8 is provided by an external LDO.

3.9. (U)SIM Interface

BG95 supports 1.8 V (U)SIM card only. The (U)SIM interface circuitry meets ETSI and IMT-2000 requirements.

Table 11: Pin Definition of (U)SIM Interface

Pin Name	Pin No.	I/O	Description	Comment
USIM_DET*	42	DI	(U)SIM card hot-plug detection	1.8 V power domain.
USIM_VDD	43	PO	(U)SIM card power supply	Only 1.8 V (U)SIM card is supported.
USIM_RST	44	DO	(U)SIM card reset	1.8 V power domain.
USIM_DATA	45	IO	(U)SIM card data	1.8 V power domain.
USIM_CLK	46	DO	(U)SIM card clock	1.8 V power domain.
USIM_GND	47		(U)SIM card ground	

BG95 supports (U)SIM card hot-plug via the USIM_DET pin, and both high and low level detections are supported. The function is disabled by default, and please refer to **AT+QSIMDET** command in **document [2]** for more details.

The following figure shows a reference design of (U)SIM interface with an 8-pin (U)SIM card connector.

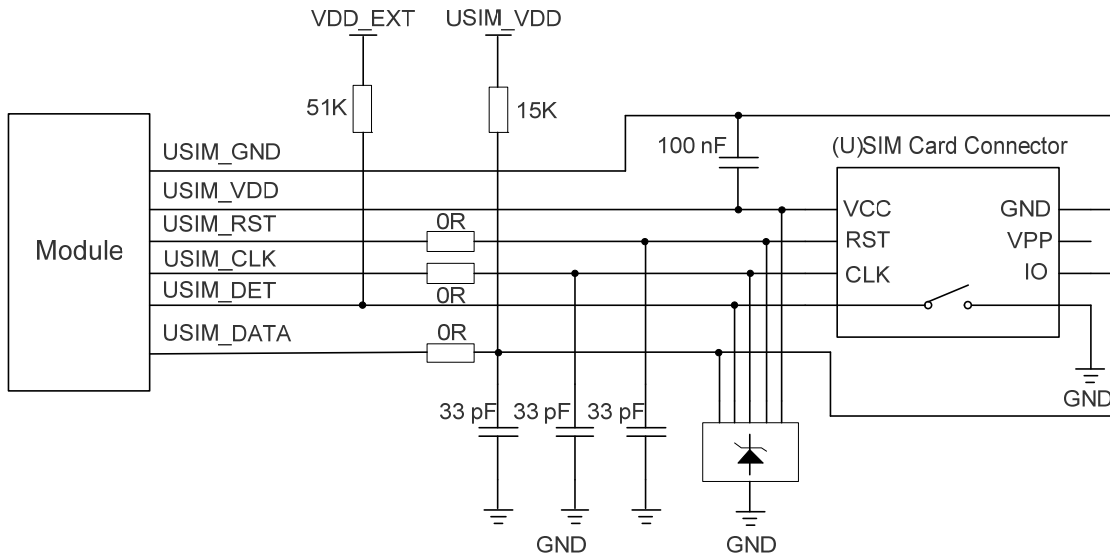


Figure 14: Reference Circuit of (U)SIM Interface with an 8-Pin (U)SIM Card Connector

If (U)SIM card detection function is not needed, please keep USIM_DET unconnected. A reference circuit for (U)SIM interface with a 6-pin (U)SIM card connector is illustrated in the following figure.

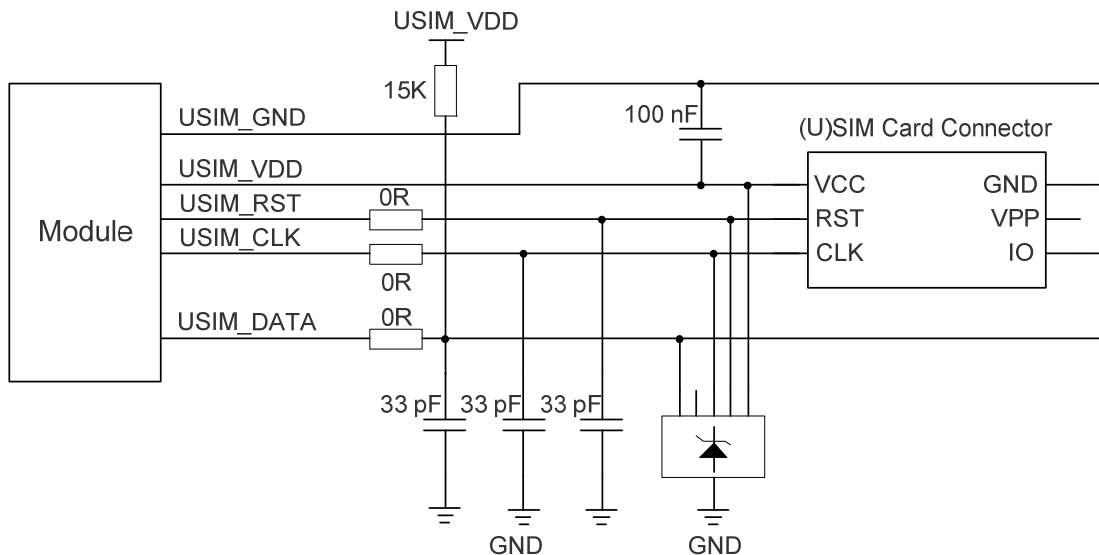


Figure 15: Reference Circuit of (U)SIM Interface with a 6-Pin (U)SIM Card Connector

In order to enhance the reliability and availability of the (U)SIM card in applications, please follow the criteria below in (U)SIM circuit design:

- Keep the placement of (U)SIM card connector as close to the module as possible. Keep the trace length as less than 200 mm as possible.
- Keep (U)SIM card signals away from RF and VBAT traces.
- Assure the ground between the module and the (U)SIM card connector short and wide. Keep the trace width of ground and USIM_VDD no less than 0.5 mm to maintain the same electric potential. Make sure the bypass capacitor between USIM_VDD and USIM_GND less than 1 μ F, and place it as close to (U)SIM card connector as possible. If the system ground plane is complete, USIM_GND can be connected to the system ground directly.
- To avoid cross-talk between USIM_DATA and USIM_CLK, keep them away from each other and shield them with surrounded ground. USIM_RST should also be ground shielded.
- In order to offer good ESD protection, it is recommended to add a TVS diode array with parasitic capacitance not exceeding 15 pF. In order to facilitate debugging, it is recommended to reserve series resistors for the (U)SIM signals of the module. The 33 pF capacitors are used for filtering interference of EGSM900. Please note that the (U)SIM peripheral circuit should be close to the (U)SIM card connector.
- The pull-up resistor on USIM_DATA line can improve anti-jamming capability when long layout trace and sensitive occasion are applied, and should be placed close to the (U)SIM card connector.

NOTES

1. eSIM function is optional. If eSIM is selected, then the external (U)SIM cannot be used simultaneously.
2. “*” means under development.

3.10. USB Interface

BG95 contains one integrated Universal Serial Bus (USB) interface which complies with the USB 2.0 specification and supports operation at low-speed (1.5 Mbps) and full-speed (12 Mbps) modes. The USB interface is used for AT command communication, data transmission, software debugging and firmware upgrade. The following table shows the pin definition of USB interface.

Table 12: Pin Definition of USB Interface

Pin Name	Pin No.	I/O	Description	Comment
USB_VBUS	8	AI	USB connection detection	Typical 5.0 V
USB_DP	9	IO	USB differential data (+)	Require differential impedance of

USB_DM	10	IO	USB differential data (-)	90 Ω
GND	3		Ground	

For more details about USB 2.0 specification, please visit <https://www.usb.org/>.

The USB interface is recommended to be reserved for firmware upgrade in application designs. The following figure shows a reference design of USB interface.

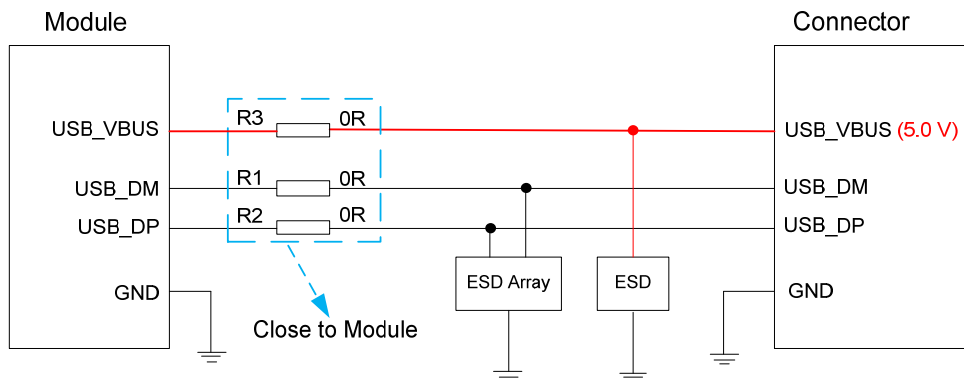


Figure 16: Reference Design of USB Interface

In order to ensure the integrity of USB data line signal, components R1 and R2 should be placed close to the module. The extra stubs of trace must be as short as possible.

The following principles should be complied with while designing the USB interface, so as to meet USB 2.0 specification.

- It is important to route the USB signal traces as differential pairs with ground surrounded. The impedance of USB differential trace is 90 Ω .
- Do not route signal traces under crystals, oscillators, magnetic devices and RF signal traces. It is important to route the USB differential traces in inner-layer of the PCB, and surround the traces with ground on that layer and with ground planes above and below.
- Junction capacitance of the ESD protection device might cause influences on USB data lines, so please pay attention to the selection of the device. Typically, the stray capacitance should be less than 2 pF.
- Keep the ESD protection devices as close to the USB connector as possible.

NOTE

BG95 can only be used as a slave device.

3.11. UART Interfaces

The module provides three UART interfaces: the main UART, debug UART and the GNSS UART interfaces. Features of them are illustrated below:

- The main UART interface supports 9600 bps, 19200 bps, 38400 bps, 57600 bps, 115200 bps, 230400 bps, 460800 bps and 921600 bps baud rates, and the default is 115200 bps. It is used for data transmission and AT command communication, and supports RTS and CTS hardware flow control. The default frame format is 8N1 (8 data bits, no parity, 1 stop bit).
- The debug UART interface supports a fixed baud rate of 115200 bps, and is used for software debugging and log output.
- The GNSS UART interface supports 115200 bps baud rate by default, and is used for GNSS data and NMEA sentences output.

The following tables show the pin definition of the three UART interfaces.

Table 13: Pin Definition of Main UART Interface

Pin Name	Pin No.	I/O	Description	Comment
MAIN_DTR	30	DI	Main UART data terminal ready	1.8 V power domain
MAIN_RXD	34	DI	Main UART receive	1.8 V power domain
MAIN_TXD	35	DO	Main UART transmit	1.8 V power domain
MAIN_CTS	36	DO	Main UART clear to send	1.8 V power domain
MAIN_RTS	37	DI	Main UART request to send	1.8 V power domain
MAIN_DCD	38	DO	Main UART data carrier detect	1.8 V power domain
MAIN_RI	39	DO	Main UART ring indication	1.8 V power domain

NOTE

AT+IPR command can be used to set the baud rate of the main UART interface, and **AT+IFC** command can be used to set the hardware flow control (the function is disabled by default). Please refer to **document [2]** for more details about these AT commands.

Table 14: Pin Definition of Debug UART Interface

Pin Name	Pin No.	I/O	Description	Comment
DBG_RXD	22	DI	Debug UART receive	1.8 V power domain
DBG_TXD	23	DO	Debug UART transmit	1.8 V power domain

Table 15: Pin Definition of GNSS UART Interface

Pin Name	Pin No.	I/O	Description	Comment
GNSS_TXD	27	DO	GNSS UART transmit	BOOT_CONFIG. Do not pull it up before startup. 1.8 V power domain
GNSS_RXD	28	DI	GNSS UART receive	1.8 V power domain

NOTE

GNSS_TXD is a BOOT_CONFIG pin. It should not be pulled up before startup.

The logic levels of UART interfaces are described in the following table.

Table 16: Logic Levels of Digital I/O

Parameter	Min.	Max.	Unit
V_{IL}	-0.3	0.6	V
V_{IH}	1.2	2.0	V
V_{OL}	0	0.45	V
V_{OH}	1.35	1.8	V

The module provides 1.8 V UART interfaces. A voltage-level translator should be used if customers' application is equipped with a 3.3 V UART interface. The voltage-level translator TXS0108EPWR provided by *Texas Instruments* is recommended. The following figure shows a reference design of the main UART interface.

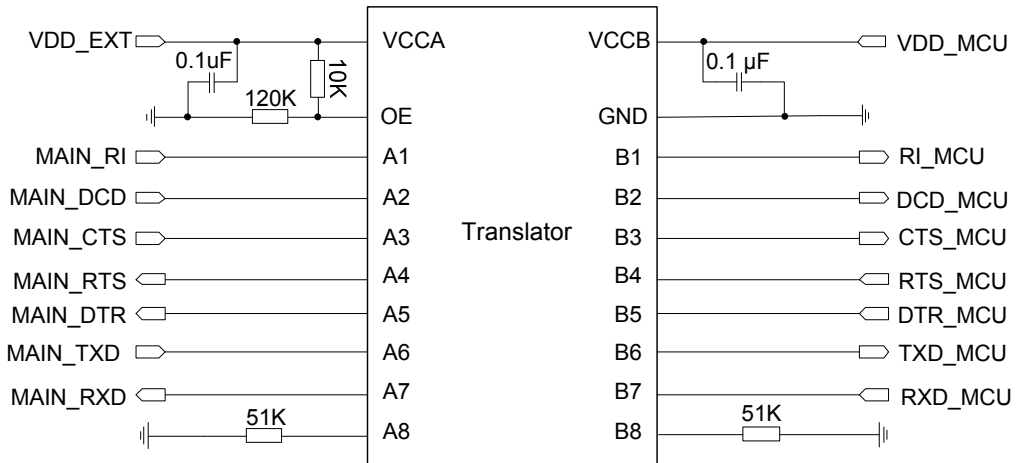


Figure 17: Main UART Reference Design (Translator Chip)

Please visit <http://www.ti.com/> for more information.

Another example with transistor translation circuit is shown as below. For the design of circuits in dotted lines, please refer to that of circuits in solid lines, but please pay attention to the direction of connection.

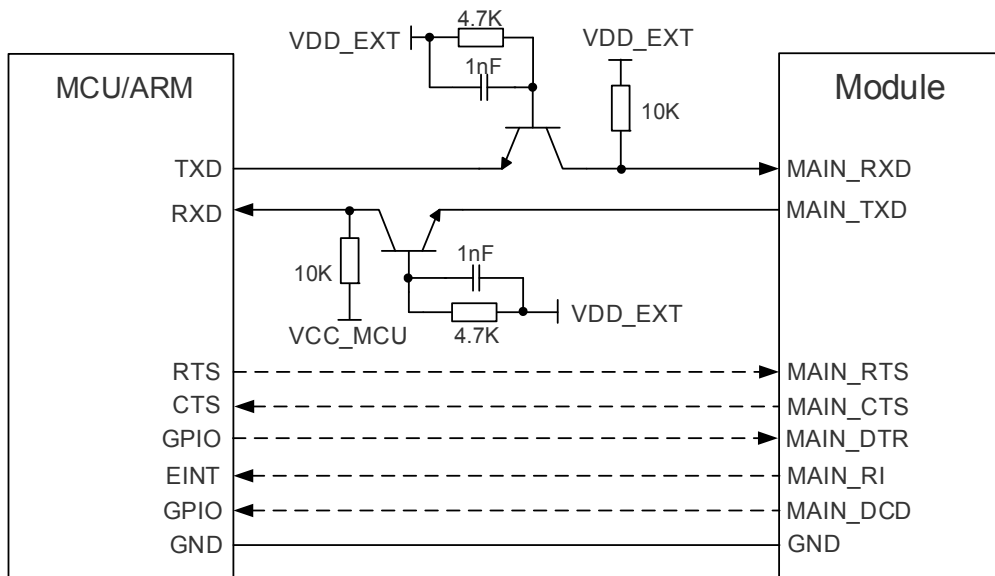


Figure 18: Main UART Reference Design (Transistor Circuit)

NOTE

Transistor circuit solution is not suitable for applications with high baud rates exceeding 460 kbps.

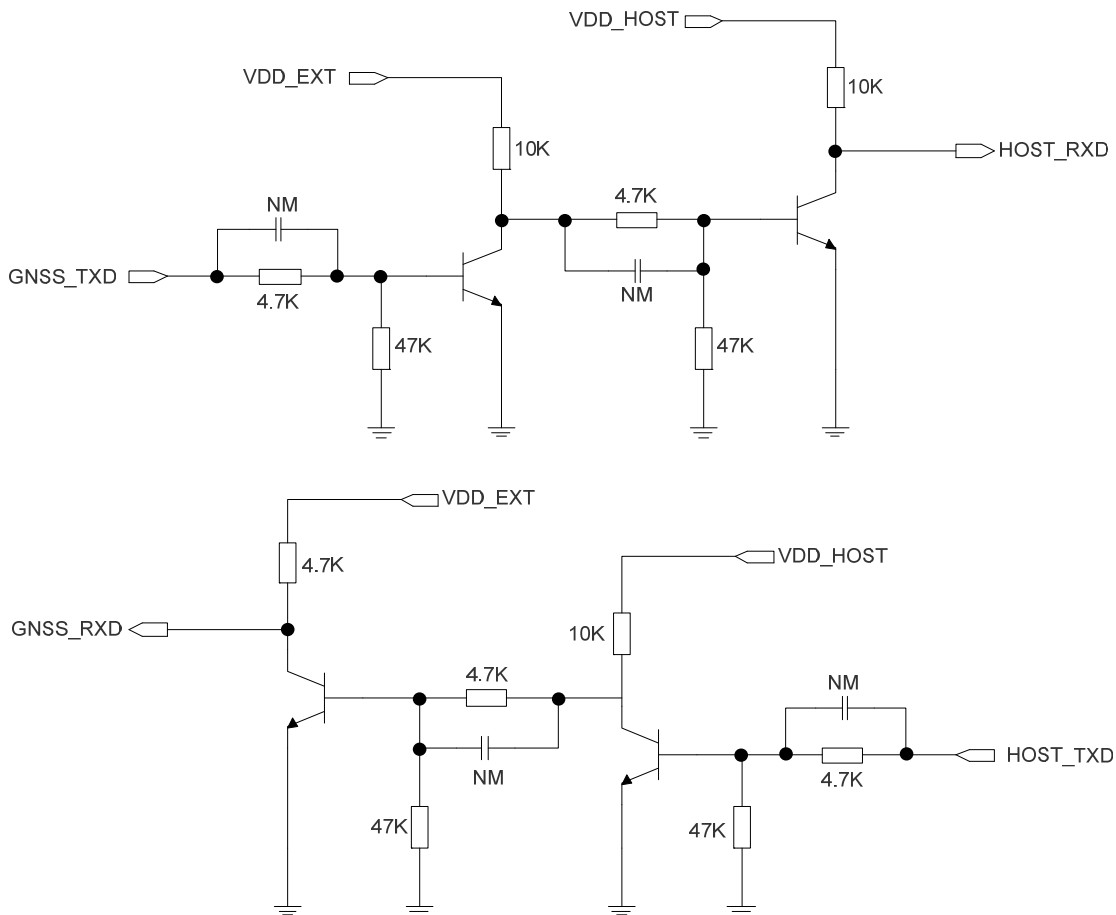


Figure 19: Reference Circuit with Dual-Transistor Circuit (Recommended for GNSS UART)

NOTE

GNSS_TXD is a BOOT_CONFIG pin (pin 27), therefore voltage-level translation IC solution with pull-up circuit or signal transistor/MOSFET circuit is not applicable to it. The dual-transistor circuit solution is recommended for GNSS UART.

3.12. PCM and I2C Interfaces*

BG95 provides one Pulse Code Modulation (PCM) digital interface and one I2C interface. The following table shows the pin definition of the two interfaces which can be applied on audio codec design.

Table 17: Pin Definition of PCM and I2C Interfaces

Pin Name	Pin No.	I/O	Description	Comment
PCM_CLK	4	DO	PCM clock	1.8 V power domain.
PCM_SYNC	5	DO	PCM data frame sync	1.8 V power domain.
PCM_DIN	6	DI	PCM data input	1.8 V power domain.
PCM_DOUT	7	DO	PCM data output	1.8 V power domain.
I2C_SCL	40	OD	I2C serial clock (for external codec)	Require external pull-up to 1.8 V.
I2C_SDA	41	OD	I2C serial data (for external codec)	Require external pull-up to 1.8 V.

The following figure shows a reference design of PCM and I2C interfaces with an external codec IC.

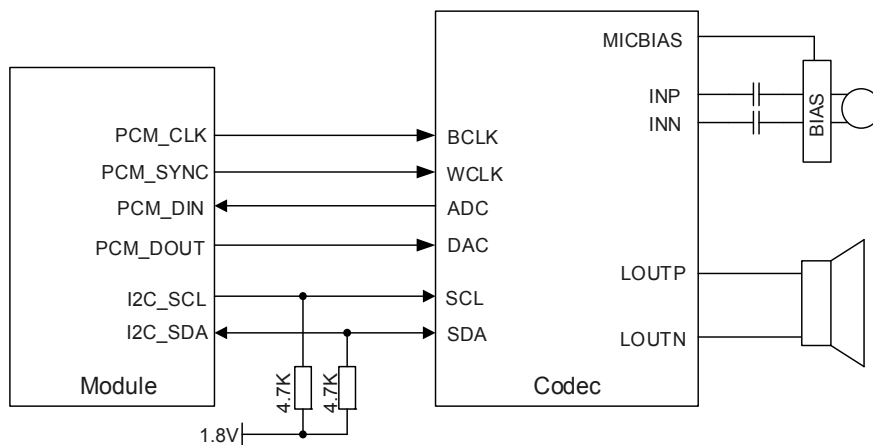


Figure 20: Reference Circuit of PCM Application with Audio Codec

NOTE

“*” means under development.

3.13. Network Status Indication

BG95 provides one network status indication pin: NET_STATUS. The pin is used to drive a network status indication LED. The following tables describe the pin definition and logic level changes of NET_STATUS in different network activity status.

Table 18: Pin Definition of NET_STATUS

Pin Name	Pin No.	I/O	Description	Comment
NET_STATUS	21	DO	Module network activity status indication	1.8 V power domain

Table 19: Working State of NET_STATUS

Pin Name	Logic Level Changes	Network Status
NET_STATUS	Flicker slowly (200 ms High/1800 ms Low)	Network searching
	Flicker slowly (1800 ms High/200 ms Low)	Idle
	Flicker quickly (125 ms High/125 ms Low)	Data transfer is ongoing
	Always high	Voice calling

A reference circuit is shown in the following figure.

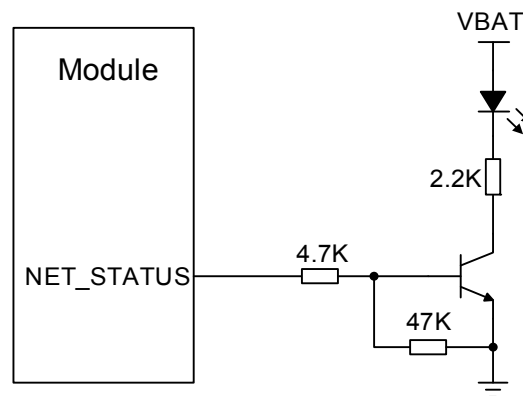


Figure 21: Reference Circuit of the Network Status Indicator

3.14. STATUS

The STATUS pin is used to indicate the operation status of BG95. It will output high level when the module is powered on.

The following table describes the pin definition of STATUS.

Table 20: Pin Definition of STATUS

Pin Name	Pin No.	I/O	Description	Comment
STATUS	20	DO	Module operation status indication	1.8 V power domain

The following figure shows a reference circuit of STATUS.

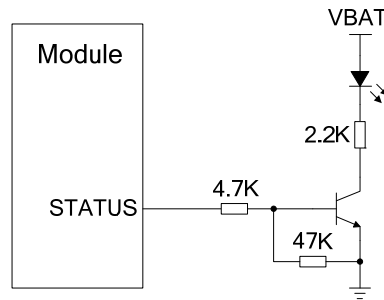


Figure 22: Reference Design of STATUS

3.15. Behaviors of MAIN_RI

`AT+QCFG="risignaltpe","physical"` command can be used to configure MAIN_RI pin behavior.

No matter on which port URC is presented, URC will trigger the behavior of MAIN_RI pin. The default behaviors of MAIN_RI pin are shown as below.

Table 21: Default Behaviors of MAIN_RI Pin

State	Response
Idle	MAIN_RI keeps in high level.
URC	MAIN_RI outputs 120 ms low pulse when a new URC returns.

The default MAIN_RI pin behaviors can be configured flexibly by `AT+QCFG="urc/ri/ring"` command. For more details about `AT+QCFG*`, please refer to [document \[2\]](#).

NOTES

1. URC can be outputted from UART port, USB AT port and USB modem port, through configuration via `AT+QURCCFG` command. The default port is USB AT port.

2. “*” means under development.

3.16. USB_BOOT Interface

BG95 provides a USB_BOOT pin. During development or factory production, USB_BOOT can force the module to boot from USB port for firmware upgrade.

Table 22: Pin Definition of USB_BOOT Interface

Pin Name	Pin No.	I/O	Description	Comment
USB_BOOT	75	DI	Force the module into emergency download mode	1.8 V power domain. Active high. If unused, keep it open.

The following figure shows a reference circuit of USB_BOOT interface.

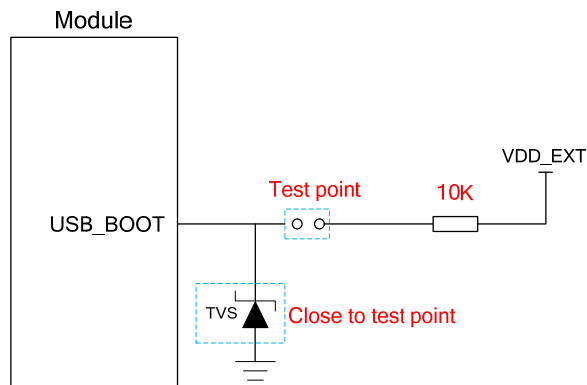


Figure 23: Reference Design of USB_BOOT Interface

The following figure shows the timing of USB_BOOT.

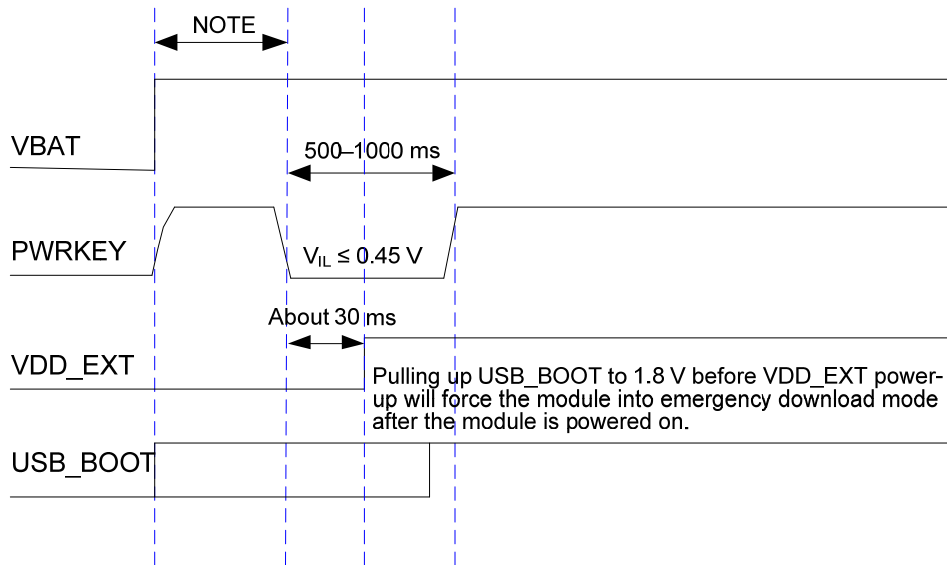


Figure 24: Timing of Turning on Module with USB_BOOT

NOTES

1. It is recommended to reserve the above circuit design during application design.
2. Please make sure that VBAT is stable before pulling down PWRKEY. It is recommended that the time between powering up VBAT and pulling down PWRKEY is no less than 30 ms.
3. When using MCU to control the module entering emergency download mode, please follow the above timing sequence. Connecting the test points as shown in **Figure 23** can manually force the module to enter download mode.

3.17. ADC Interfaces

The module provides two analog-to-digital converter (ADC) interfaces but only one ADC interface can be used at a time. ADC1 is connected directly to ADC0 inside the module.

AT+QADC=0 command can be used to read the voltage value on the ADC being used. For more details about the AT command, please refer to **document [2]**.

In order to improve the accuracy of ADC voltage values, the trace of ADC should be ground surrounded.

Table 23: Pin Definition of ADC Interface

Pin Name	Pin No.	I/O	Description	Comment
ADC0	24	AI	General-purpose ADC interface	ADC0 and ADC1 cannot be used simultaneously.
ADC1	2	AI	General-purpose ADC interface	

The following table describes the characteristics of ADC interfaces.

Table 24: Characteristics of ADC Interfaces

Parameter	Min.	Typ.	Max.	Unit
Voltage Range	0.1		1.8	V
Resolution (LSB)		64.979		μ V
Analog Bandwidth		500		kHz
Sample Clock		4.8		MHz
Input Resistance	10			M Ω

NOTES

1. ADC input voltage must not exceed 1.8 V.
2. It is prohibited to supply any voltage to ADC pin when VBAT is removed.
3. It is recommended to use resistor divider circuit for ADC application, and the divider resistor accuracy should be no less than 1%.
4. ADC0 and ADC1 cannot be used simultaneously, as ADC1 is connected directly to ADC0 inside the module.

3.18. GPIO Interfaces*

The module provides nine general-purpose input and output (GPIO) interfaces. **AT+QCFG="gpio"** command can be used to configure the status of GPIO pins. For more details about the AT command, please refer to *document [2]*.

Table 25: Pin Definition of GPIO Interfaces

Pin Name	Pin No.	Description
GPIO1	25	General-purpose input/output
GPIO2	26	General-purpose input/output
GPIO3	64	General-purpose input/output
GPIO4	65	General-purpose input/output
GPIO5	66	General-purpose input/output
GPIO6	85	General-purpose input/output
GPIO7	86	General-purpose input/output
GPIO8	87	General-purpose input/output
GPIO9	88	General-purpose input/output

The following table describes the characteristics of GPIO interfaces.

Table 26: Logic Levels of GPIO Interfaces

Parameter	Min.	Max.	Unit
V_{IL}	-0.3	0.6	V
V_{IH}	1.2	2.0	V
V_{OL}	0	0.45	V
V_{OH}	1.35	1.8	V

NOTE

“*” means under development.

3.19. GRFC Interfaces

The module provides two generic RF control interfaces for the control of external antenna tuners.

Table 27: Pin Definition of GRFC Interfaces

Pin Name	Pin No.	Description	Comments
GRFC1	83	Generic RF controller	1.8 V power domain.
GRFC2	84	Generic RF controller	BOOT_CONFIG. Do not pull it up before startup. 1.8 V power domain.

Table 28: Logic Levels of GRFC Interfaces

Parameter	Min.	Max.	Unit
V _{OL}	0	0.45	V
V _{OH}	1.35	1.8	V

Table 29: Truth Table of GRFC Interfaces

GRFC1 Level	GRFC2 Level	Frequency Range (MHz)	Band
Low	Low	880–2200	B1, B2, B3, B4, B8, B25, B66
Low	High	791–894	B5, B18, B19, B20, B26, B27
High	Low	698–803	B12, B13, B28, B85
High	High	617–698	B71

NOTES

- GRFC2 (pin 84) is a BOOT_CONFIG pin. It should not be pulled up before startup.
- BG95-M4 does not support GRFC interfaces.

4 GNSS Receiver

4.1. General Description

BG95 includes a fully integrated global navigation satellite system solution that supports Gen9 VT of Qualcomm (GPS, GLONASS, BeiDou, Galileo and QZSS).

The module supports standard NMEA-0183 protocol, and outputs NMEA sentences at 1 Hz data update rate via USB interface by default.

By default, BG95 GNSS engine is switched off. It has to be switched on via AT command. For more details about GNSS engine technology and configurations, please refer to **document [3]**.

4.2. GNSS Performance

The following table shows the GNSS performance of BG95.

Table 30: GNSS Performance

Parameter	Description	Conditions	Typ.	Unit
Sensitivity (GNSS)	Cold start	Autonomous	-146	dBm
	Reacquisition	Autonomous	-157	dBm
	Tracking	Autonomous	-157	dBm
TTFF (GNSS)	Cold start	Autonomous	TBD	s
	@open sky	XTRA enabled	TBD	s
	Warm start	Autonomous	TBD	s
	@open sky	XTRA enabled	TBD	s

	Hot start @open sky	Autonomous	TBD	s
		XTRA enabled	TBD	s
Accuracy (GNSS)	CEP-50	Autonomous @open sky	< 3	m

NOTES

1. Tracking sensitivity: the minimum GNSS signal power at which the module can maintain lock (keep positioning for at least 3 minutes continuously).
2. Reacquisition sensitivity: the minimum GNSS signal power required for the module to maintain lock within 3 minutes after loss of lock.
3. Cold start sensitivity: the minimum GNSS signal power at which the module can fix position successfully within 3 minutes after executing cold start command.

4.3. Layout Guidelines

The following layout guidelines should be taken into account in application designs.

- Maximize the distance between GNSS antenna and main antenna.
- Digital circuits such as (U)SIM card, USB interface, camera module, display connector and SD card should be kept away from the antennas.
- Use ground vias around the GNSS trace and sensitive analog signal traces to provide coplanar isolation and protection.
- Keep 50 Ω characteristic impedance for ANT_GNSS trace.

Please refer to **Chapter 5** for GNSS antenna reference design and antenna installation information.

5 Antenna Interfaces

BG95 includes a main antenna interface and a GNSS antenna interface. The antenna ports have an impedance of 50 Ω .

5.1. Main Antenna Interface

5.1.1. Pin Definition

The pin definition of main antenna interface is shown below.

Table 31: Pin Definition of Main Antenna Interface

Pin Name	Pin No.	I/O	Description	Comment
ANT_MAIN	60	IO	Main antenna interface	50 Ω characteristic impedance

5.1.2. Operating Frequency

Table 32: BG95 Operating Frequency

3GPP Band	Transmit	Receive	Unit
LTE-FDD B1	1920–1980	2110–2170	MHz
LTE-FDD B2, PCS1900	1850–1910	1930–1990	MHz
LTE-FDD B3, DCS1800	1710–1785	1805–1880	MHz
LTE-FDD B4	1710–1755	2110–2155	MHz
LTE-FDD B5, GSM850	824–849	869–894	MHz
LTE-FDD B8, EGSM900	880–915	925–960	MHz
LTE-FDD B12	699–716	729–746	MHz

LTE-FDD B13	777–787	746–756	MHz
LTE-FDD B18	815–830	860–875	MHz
LTE-FDD B19	830–845	875–890	MHz
LTE-FDD B20	832–862	791–821	MHz
LTE-FDD B25	1850–1915	1930–1995	MHz
LTE-FDD B26 ¹⁾	814–849	859–894	MHz
LTE-FDD B27 ¹⁾	807–824	852–869	MHz
LTE-FDD B28	703–748	758–803	MHz
LTE-FDD B31 ³⁾	452.5–457.5	462.5–467.5	MHz
LTE-FDD B66	1710–1780	2110–2180	MHz
LTE-FDD B71 ²⁾	663–698	617–652	MHz
LTE-FDD B72 ³⁾	451–456	461–466	MHz
LTE-FDD B73 ³⁾	450–455	460–465	MHz
LTE-FDD B85	698–716	728–746	MHz

NOTES

- ¹⁾ LTE-FDD B26 and B27 are supported by Cat M1 only.
- ²⁾ LTE-FDD B71 is supported by Cat NB2 only.
- ³⁾ LTE-FDD B31, B72 and B73 are supported by BG95-M4 only.
- “*” means under development.

5.1.3. Reference Design of Main Antenna Interface

A reference design of main antenna interface is shown as below. It is recommended to reserve a π -type matching circuit for better RF performance, and the π -type matching components (R1/C1/C2) should be placed as close to the antenna as possible. The capacitors are not mounted by default.

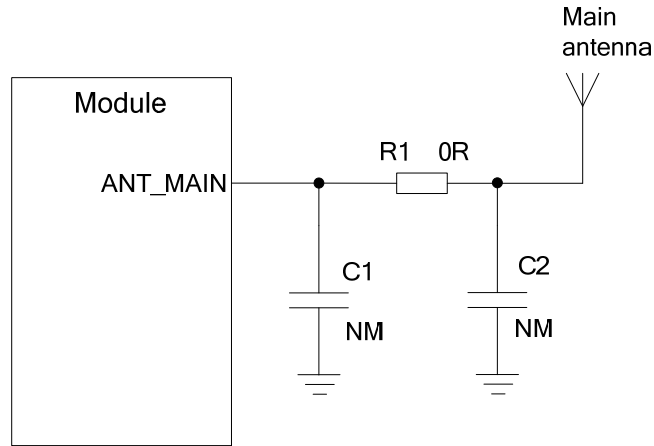


Figure 25: Reference Design of Main Antenna Interface

5.1.4. Reference Design of RF Layout

For users' PCB, the characteristic impedance of all RF traces should be controlled to 50 Ω . The impedance of the RF traces is usually determined by the trace width (W), the materials' dielectric constant, height from the reference ground to the signal layer (H), and the clearance between RF traces and grounds (S). Microstrip or coplanar waveguide is typically used in RF layout to control characteristic impedance. The following are reference designs of microstrip or coplanar waveguide with different PCB structures.

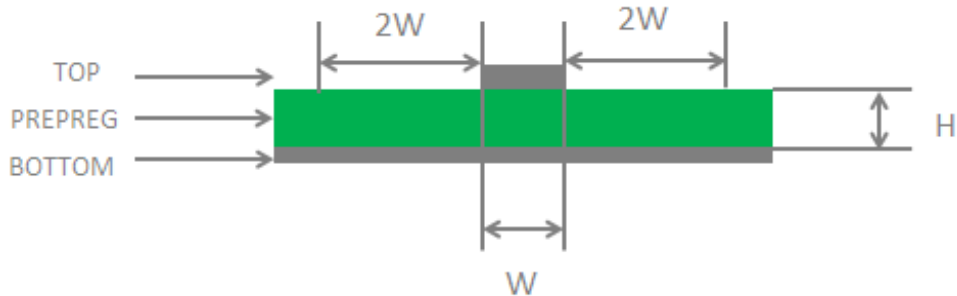


Figure 26: Microstrip Design on a 2-layer PCB

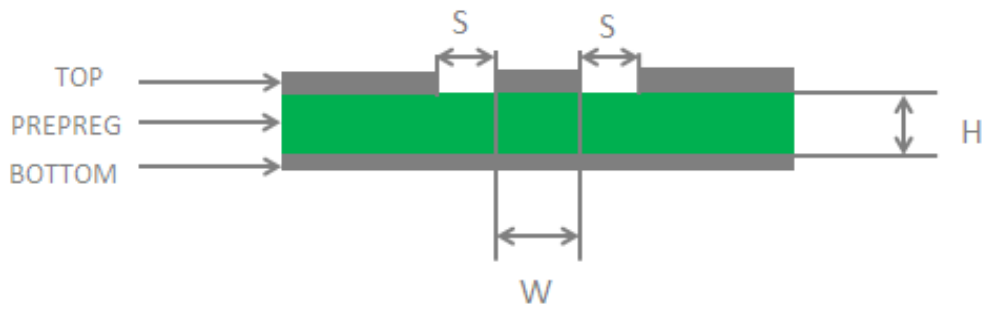


Figure 27: Coplanar Waveguide Design on a 2-layer PCB

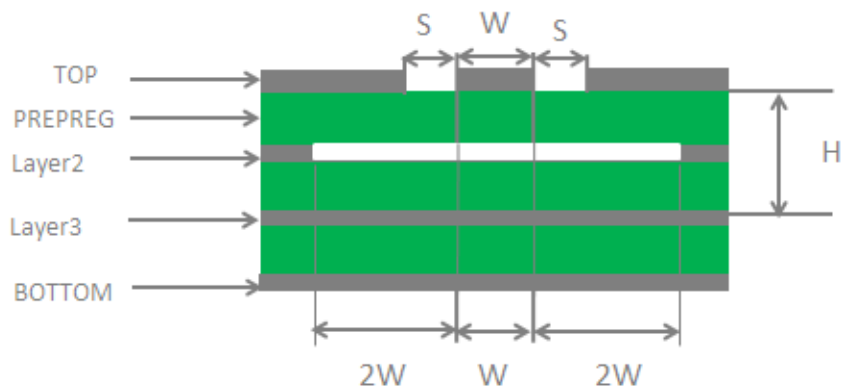


Figure 28: Coplanar Waveguide Design on a 4-layer PCB (Layer 3 as Reference Ground)

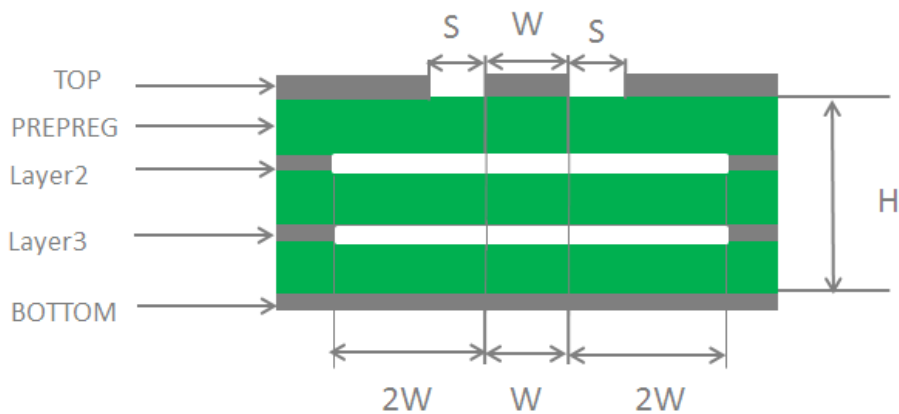


Figure 29: Coplanar Waveguide Design on a 4-layer PCB (Layer 4 as Reference Ground)

In order to ensure RF performance and reliability, the following principles should be complied with in RF layout design:

- Use an impedance simulation tool to accurately control the characteristic impedance of RF traces to 50 Ω.
- The GND pins adjacent to RF pins should not be designed as thermal relief pads, and should be fully connected to ground.
- The distance between the RF pins and the RF connector should be as short as possible, and all the right-angle traces should be changed to curved ones.
- There should be clearance under the signal pin of the antenna connector or solder joint.
- The reference ground of RF traces should be complete. Meanwhile, adding some ground vias around RF traces and the reference ground could help to improve RF performance. The distance between the ground vias and RF traces should be no less than two times as wide as RF signal traces ($2 \times W$).

For more details about RF layout, please refer to **document [4]**.

5.2. GNSS Antenna Interface

The following tables show the pin definition and frequency specification of GNSS antenna interface.

Table 33: Pin Definition of GNSS Antenna Interface

Pin Name	Pin No.	I/O	Description	Comment
ANT_GNSS	49	AI	GNSS antenna interface	50 Ω impedance

Table 34: GNSS Frequency

Type	Frequency	Unit
GPS	1575.42 ±1.023	MHz
GLONASS	1597.5–1605.8	MHz
Galileo	1575.42 ±2.046	MHz
BeiDou	1561.098 ±2.046	MHz
QZSS	1575.42 ±1.023	MHz

A reference design of GNSS antenna interface is shown as below.

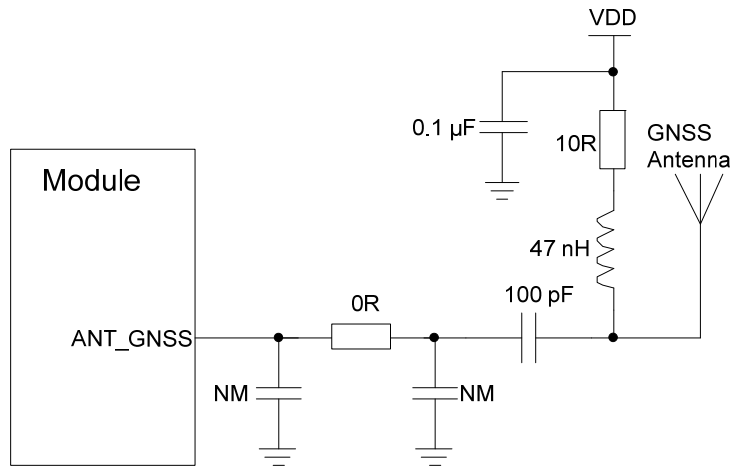


Figure 30: Reference Circuit of GNSS Antenna Interface

NOTES

1. An external LDO can be selected to supply power according to the active antenna requirement.
2. If the module is designed with a passive antenna, then the VDD circuit is not needed.

5.3. Antenna Installation

5.3.1. Antenna Requirements

The following table shows the requirements on main antenna and GNSS antenna.

Table 35: Antenna Requirements

Antenna Type	Requirements
GNSS ¹⁾	Frequency range: 1559–1609 MHz Polarization: RHCP or linear VSWR: < 2 (Typ.) Passive antenna gain: > 0 dBi Active antenna noise figure: < 1.5 dB Active antenna gain: > 0 dBi Active antenna embedded LNA gain: < 17 dB
LTE/GSM	VSWR: ≤ 2 Efficiency: > 30%

Max Input Power: 50 W
 Input Impedance: 50 Ω
 Cable Insertion Loss: < 1 dB
 (LTE B5/B8/B12/B13/B18/B19/B20/B26/B27/B28/B71/B72/B73/B85,
 GSM850/EGSM900)
 Cable Insertion Loss: < 1.5 dB
 (LTE B1/B2/B3/B4/B25/B66, DCS1800/PCS1900)

NOTE

¹⁾ It is recommended to use a passive GNSS antenna when LTE B13 is supported, as the use of active antenna may generate harmonics which will affect the GNSS performance.

5.3.2. Recommended RF Connector for Antenna Installation

If RF connector is used for antenna connection, it is recommended to use U.FL-R-SMT connectors provided by *HIROSE*.

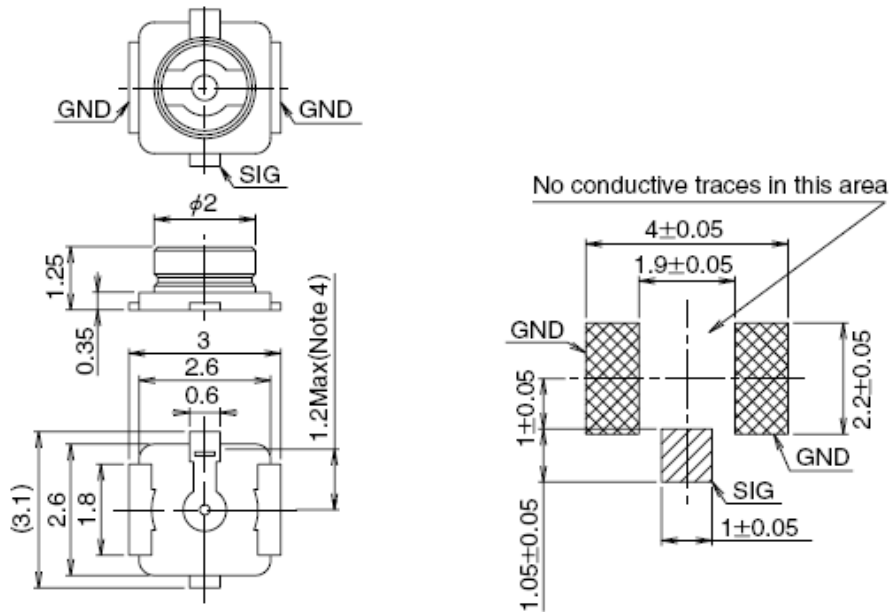


Figure 31: Dimensions of the U.FL-R-SMT Connector (Unit: mm)

U.FL-LP serial connectors listed in the following figure can be used to match the U.FL-R-SMT.

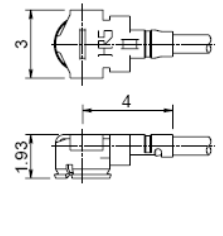
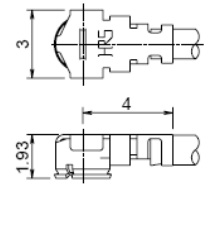
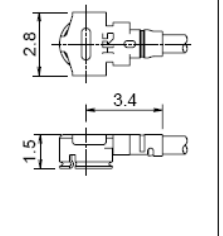
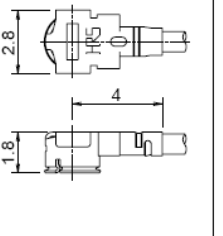
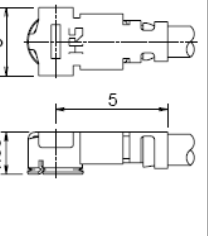
Part No.	U.FL-LP-040	U.FL-LP-066	U.FL-LP(V)-040	U.FL-LP-062	U.FL-LP-088
					
Mated Height	2.5mm Max. (2.4mm Nom.)	2.5mm Max. (2.4mm Nom.)	2.0mm Max. (1.9mm Nom.)	2.4mm Max. (2.3mm Nom.)	2.4mm Max. (2.3mm Nom.)
Applicable cable	Dia. 0.81mm Coaxial cable	Dia. 1.13mm and Dia. 1.32mm Coaxial cable	Dia. 0.81mm Coaxial cable	Dia. 1mm Coaxial cable	Dia. 1.37mm Coaxial cable
Weight (mg)	53.7	59.1	34.8	45.5	71.7
RoHS	YES				

Figure 32: Mechanicals of U.FL-LP Connectors

The following figure describes the space factor of mated connector.

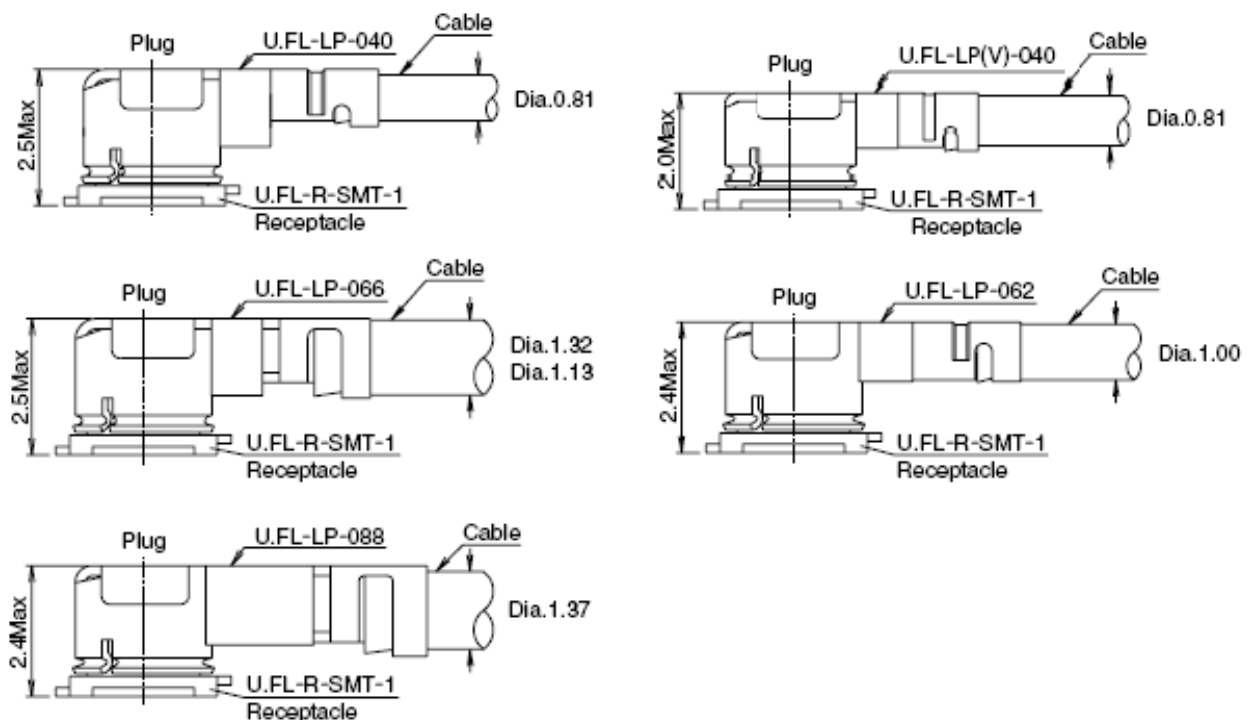


Figure 33: Space Factor of Mated Connector (Unit: mm)

For more details, please visit <http://www.hirose.com/>.

6 Electrical, Reliability and Radio Characteristics

6.1. Absolute Maximum Ratings

Absolute maximum ratings for power supply and voltage on digital and analog pins of the module are listed in the following table.

Table 36: Absolute Maximum Ratings

Parameter	Min.	Max.	Unit
VBAT_BB	-0.5	6.0	V
VBAT_RF	-0.3	6.0	V
USB_VBUS	-0.3	5.5	V
Voltage at Digital Pins	-0.3	2.09	V

6.2. Power Supply Ratings

Table 37: Power Supply Ratings

Parameter	Description	Conditions	Module	Min.	Typ.	Max.	Unit
VBAT	VBAT_BB/ VBAT_RF	The actual input voltages must be kept between the minimum and the maximum values.	BG95-M1/ BG95-M2/ BG95-N1	2.6	3.3	4.8	V
			BG95-M3/ BG95-M5	3.3	3.8	4.3	V

			BG95-M4	3.8		V
I_{VBAT}	Peak supply current (during transmission slot)	Maximum power control level on EGSM900	BG95-M3/ BG95-M5	1.8	2.0	A
USB_VBUS	USB detection		BG95-M1/ BG95-M2/ BG95-M3/ BG95-N1/ BG95-M4/ BG95-M5	5.0		V

6.3. Operation and Storage Temperatures

The operation and storage temperatures of the module are listed in the following table.

Table 38: Operation and Storage Temperatures

Parameter	Min.	Typ.	Max.	Unit
Operation Temperature Range ¹⁾	-35	+25	+75	°C
Extended Temperature Range ²⁾	-40		+85	°C
Storage Temperature Range	-40		+90	°C

NOTES

- ¹⁾ Within operation temperature range, the module is 3GPP compliant.
- ²⁾ Within extended temperature range, the module remains the ability to establish and maintain functions such as SMS and data transmission, without any unrecoverable malfunction. Radio spectrum and radio network will not be influenced, while one or more specifications, such as P_{out} , may exceed the specified tolerances of 3GPP. When the temperature returns to the normal operation temperature levels, the module will meet 3GPP specifications again.

6.4. Current Consumption

The following table shows current consumption of BG95.

Table 39: BG95-M3 Current Consumption

Description	Conditions	Average	Max.	Unit
Leakage ¹⁾	Power-off @ USB and UART disconnected	14.5	-	μA
PSM ²⁾	Power Saving Mode	3.9	-	μA
Rock Bottom	AT+CFUN=0 @ Sleep mode	0.7	-	mA
Sleep Mode (USB disconnected)	LTE Cat M1 DRX = 1.28 s @ Paging = 24 ms	1.65	106	mA
	LTE Cat NB1 DRX = 1.28 s @ Paging = 24 ms	1.56	80	mA
	LTE Cat M1 e-I-DRX = 81.92 s @ PTW = 20.48 s, DRX = 2.56 s	0.85	117	mA
	LTE Cat NB1 e-I-DRX = 81.92 s @ PTW = 20.48 s, DRX = 2.56 s	0.81	85	mA
	Band 1 @ 21.03 dBm	186	412	mA
	Band 2 @ 21.13 dBm	187	402	mA
	Band 3 @ 21.42 dBm	184	403	mA
	Band 4 @ 21.27 dBm	182	387	mA
	Band 5 @ 21.22 dBm	192	422	mA
	Band 8 @ 21.11 dBm	190	413	mA
LTE Cat M1 data transfer (GNSS OFF)	Band 12 @ 20.98 dBm	185	412	mA
	Band 13 @ 21.05 dBm	199	450	mA
	Band 14 @ 20.43 dBm	192	425	mA
	Band 18 @ 21.05 dBm	193	434	mA
	Band 19 @ 20.9 dBm	191	430	mA
	Band 20 @ 20.94 dBm	192	429	mA
	Band 25 @ 20.09 dBm	186	416	mA
	Band 26 @ TBD	TBD	TBD	mA
	Band 27 @ 21.12 dBm	193	437	mA

	Band 28A @ 20.99 dBm	188	431	mA
	Band 28B @ 20.97 dBm	190	425	mA
	Band 66 @ 20.95 dBm	181	382	mA
	Band 85 @ 21.06 dBm	185	405	mA
LTE Cat NB1 data transfer (GNSS OFF)	Band 1 @ 21.19 dBm	149	373	mA
	Band 2 @ 21.43 dBm	151	384	mA
	Band 3 @ 21.4 dBm	144	360	mA
	Band 4 @ 21.48 dBm	145	364	mA
	Band 5 @ 21.54 dBm	165	423	mA
	Band 8 @ 21.13 dBm	155	399	mA
	Band 12 @ 21.43 dBm	150	385	mA
	Band 13 @ 21.62 dBm	172	442	mA
	Band 18 @ 21.5 dBm	164	427	mA
	Band 19 @ 21.48 dBm	164	431	mA
	Band 20 @ 21.55 dBm	165	423	mA
	Band 25 @ 21.61 dBm	153	389	mA
	Band 26 @ TBD	TBD	TBD	mA
	Band 28 @ 21.45 dBm	158	410	mA
	Band 66 @ 21.5 dBm	145	376	mA
	Band 71 @ 20.71 dBm	132	329	mA
Band 85 @ 21.82 dBm	154	395	mA	
GPRS data transfer (GNSS OFF)	GPRS GSM850 4UL/1DL @ 28 dBm	518	1054	mA
	GPRS GSM900 4UL/1DL @ 28 dBm	528	1081	mA
	GPRS DCS1800 4UL/1DL @ 25 dBm	375	725	mA
	GPRS PCS1900 4UL/1DL @ 25 dBm	387	750	mA
EDGE data transfer (GNSS OFF)	EDGE GSM850 4UL/1DL @ 23 dBm	511	1194	mA
	EDGE GSM900 4UL/1DL @ 21 dBm	507	1161	mA

EDGE DCS1800 4UL/1DL @ 21 dBm	423	857	mA
EDGE PCS1900 4UL/1DL @ 21 dBm	426	887	mA

NOTES

- ¹⁾ The current consumption in PSM is much lower than that in power off mode, and this is because of the following two designs:
 - More internal power supplies are powered off in PSM.
 - Also the internal clock frequency is reduced in PSM.
- ²⁾ The module's USB and UART are disconnected and GSM network does not support PSM.

Table 40: GNSS Current Consumption

Description	Conditions	Typ.	Unit
Searching (AT+CFUN=0)	Cold start @ Instrument	71	mA
	Cold start @ Real network with half sky, Active Antenna	71	mA
Tracking (AT+CFUN=0)	Instrument Environment @ DPO off	56	mA
	Instrument Environment @ DPO on	21	mA
	Half Sky @ Real network, Active Antenna, DPO off	56	mA

6.5. RF Output Power

The following table shows the RF output power of BG95.

Table 41: BG95 RF Output Power

Frequency	Max.	Min.
LTE-FDD B1/B2/B3/B4/B5/B8/B12/B13/B18/B19/B20/ B25/B26 ¹⁾ /B27 ¹⁾ /B31 ³⁾ /B28/B66/B71 ²⁾ / B72 ³⁾ /B73 ³⁾ /B85	21 dBm +1.7/-3 dB	< -39 dBm
GSM850/EGSM900	33 dBm ±2 dB	5 dBm ±5 dB
DCS1800/PCS1900	30 dBm ±2 dB	0 dBm ±5 dB

GSM850/EGSM900 (8-PSK)	27 dBm \pm 3 dB	5 dBm \pm 5 dB
DCS1800/PCS1900 (8-PSK)	26 dBm \pm 3 dB	0 dBm \pm 5 dB

NOTES

- ¹⁾ LTE-FDD B26 and B27 are supported by Cat M1 only.
- ²⁾ LTE-FDD B71 is supported by Cat NB2 only.
- ³⁾ LTE-FDD B31, B72 and B73 are supported by BG95-M4 only.

6.6. RF Receiving Sensitivity

The following table shows the conducted RF receiving sensitivity of BG95.

Table 42: Conducted RF Receiving Sensitivity of BG95-M1

Network	Band	Primary	Diversity	Sensitivity (dBm)	
				Cat M1/3GPP	Cat NB2
LTE	LTE-FDD B1	Supported	Not Supported	-108/-102.3	Not Supported
	LTE-FDD B2			-108.4/-100.3	
	LTE-FDD B3			-108.4/-99.3	
	LTE-FDD B4			-108/-102.3	
	LTE-FDD B5			-107.6/-100.8	
	LTE-FDD B8			-108/-99.8	
	LTE-FDD B12			-108.6/-99.3	
	LTE-FDD B13			-107/-99.3	
	LTE-FDD B18			-108/-102.3	
	LTE-FDD B19			-108/-102.3	
	LTE-FDD B20			-108/-99.8	
	LTE-FDD B25			-108.2/-100.3	

LTE-FDD B26	-108.2/-100.3
LTE-FDD B27	-108.4-100.8
LTE-FDD B28	-106.8/-100.8
LTE-FDD B66	-107.8/-101.8
LTE-FDD B71	Not Supported
LTE-FDD B85	-108.4/-99.3

Table 43: Conducted RF Receiving Sensitivity of BG95-M2

Network	Band	Primary	Diversity	Sensitivity (dBm)	
				Cat M1/3GPP	Cat NB2 ¹ /3GPP
LTE	LTE-FDD B1	Supported	Not Supported	-107/-102.3	-114/-107.5
	LTE-FDD B2			-107/-100.3	-116/-107.5
	LTE-FDD B3			-107/-99.3	-113/-107.5
	LTE-FDD B4			-107/-102.3	-114/-107.5
	LTE-FDD B5			-107/-100.8	-115/-107.5
	LTE-FDD B8			-107/-99.8	-113/-107.5
	LTE-FDD B12			-107/-99.3	-116/-107.5
	LTE-FDD B13			-107/-99.3	-114/-107.5
	LTE-FDD B18			-107/-102.3	-116/-107.5
	LTE-FDD B19			-107/-102.3	-116/-107.5
	LTE-FDD B20			-107/-99.8	-115/-107.5
	LTE-FDD B25			-107/-100.3	-115/-107.5
	LTE-FDD B26			-107/-100.3	-115/-107.5

LTE-FDD B27	-107/-100.8	Not Supported
LTE-FDD B28	-107/-100.8	-115/-107.5
LTE-FDD B66	-107/-101.8	-115/-107.5
LTE-FDD B71	Not Supported	-115/-107.5
LTE-FDD B85	-107/-99.3	-115/-107.5

Table 44: Conducted RF Receiving Sensitivity of BG95-M3

Network	Band	Primary	Diversity	Sensitivity (dBm)	
				Cat M1/3GPP	Cat NB2 ¹⁾ /3GPP
LTE	LTE-FDD B1	Supported	Not Supported	-104.7/-102.3	-113/-107.5
	LTE-FDD B2			-105/-100.3	-114/-107.5
	LTE-FDD B3			-104.2/-99.3	-114/-107.5
	LTE-FDD B4			-104.7/-102.3	-114/-107.5
	LTE-FDD B5			-104.2/-100.8	-115/-107.5
	LTE-FDD B8			-104.2/-99.8	-114/-107.5
	LTE-FDD B12			-104.7/-99.3	-115/-107.5
	LTE-FDD B13			-104.7/-99.3	-115/-107.5
	LTE-FDD B18			-104.4/-102.3	-115/-107.5
	LTE-FDD B19			-104.4/-102.3	-115/-107.5
	LTE-FDD B20			-104.2/-99.8	-114/-107.5
	LTE-FDD B25			-104.4/-100.3	-114/-107.5
	LTE-FDD B26			-104.4/-100.3	-115/-107.5
	LTE-FDD B27			-104.4/-100.8	Not Supported
	LTE-FDD B28			-103.7/-100.8	-115/-107.5

LTE-FDD B66	-104.1/-101.8	-114/-107.5
LTE-FDD B71	Not Supported	-115/-107.5
LTE-FDD B85	-104.1/-99.3	-115/-107.5

Network	Band	Primary	Diversity	Sensitivity (dBm)
				GSM/3GPP
GSM	GSM850/EGSM900	Supported	Not	-107/-102
	DCS1800/PCS1900		Supported	-107/-102

NOTES

- ¹⁾ LTE Cat NB2 receiving sensitivity without repetitions.
- “*” means under development.

6.7. Electrostatic Discharge

The module is not protected against electrostatics discharge (ESD) in general. Consequently, it is subject to ESD handling precautions that typically apply to ESD sensitive components. Proper ESD handling and packaging procedures must be applied throughout the processing, handling and operation of any application that incorporates the module.

The following table shows the electrostatic discharge characteristics of BG95.

Table 45: Electrostatic Discharge Characteristics (25 °C, 45% Relative Humidity)

Tested Interfaces	Contact Discharge	Air Discharge	Unit
VBAT, GND	± 10	± 12	kV
Main/GNSS Antenna Interfaces	± 5	± 5	kV

7 Mechanical Dimensions

This chapter describes the mechanical dimensions of the module. All dimensions are measured in millimeter (mm), and the dimensional tolerances are ± 0.05 mm unless otherwise specified.

7.1. Top and Side Dimensions

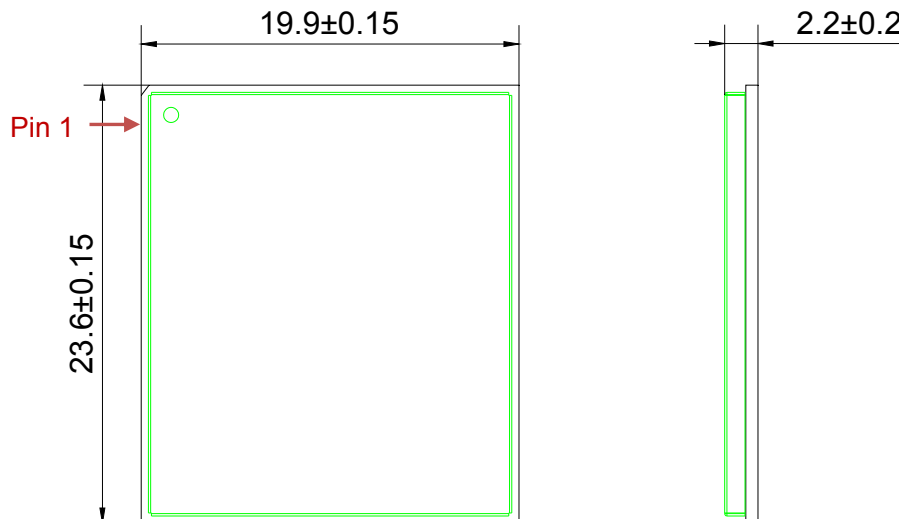


Figure 34: Module Top and Side Dimensions

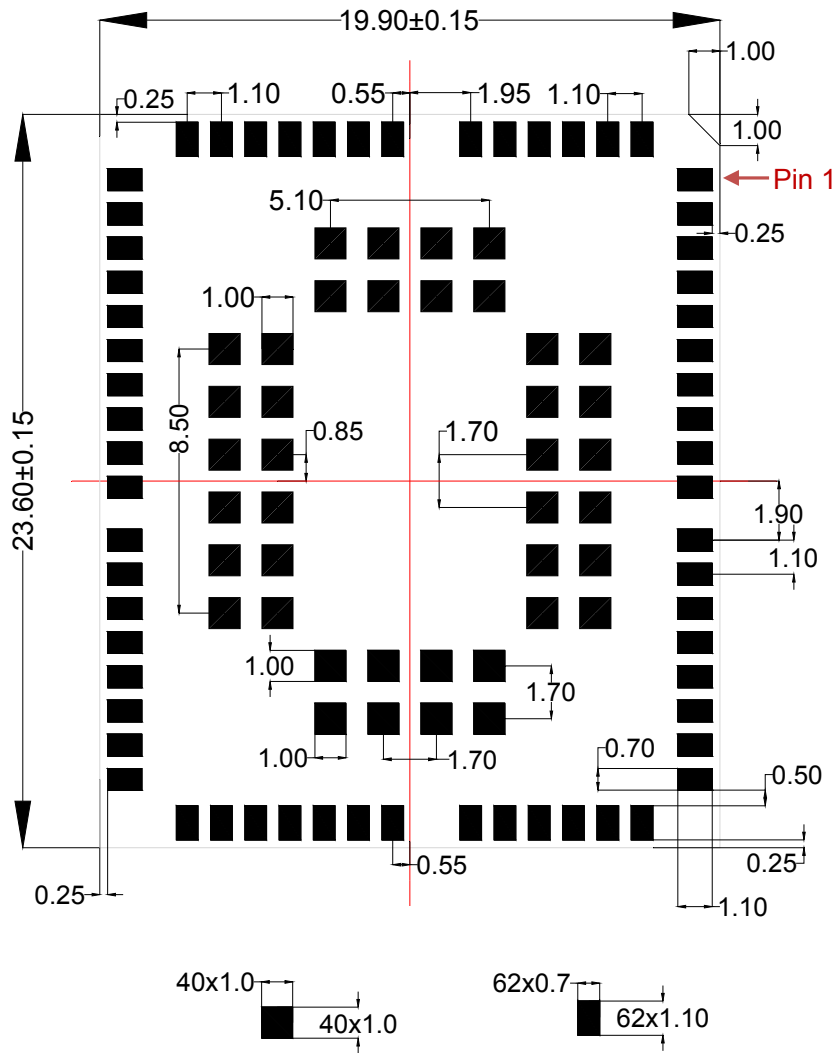


Figure 35: Module Bottom Dimensions (Bottom View)

7.2. Recommended Footprint

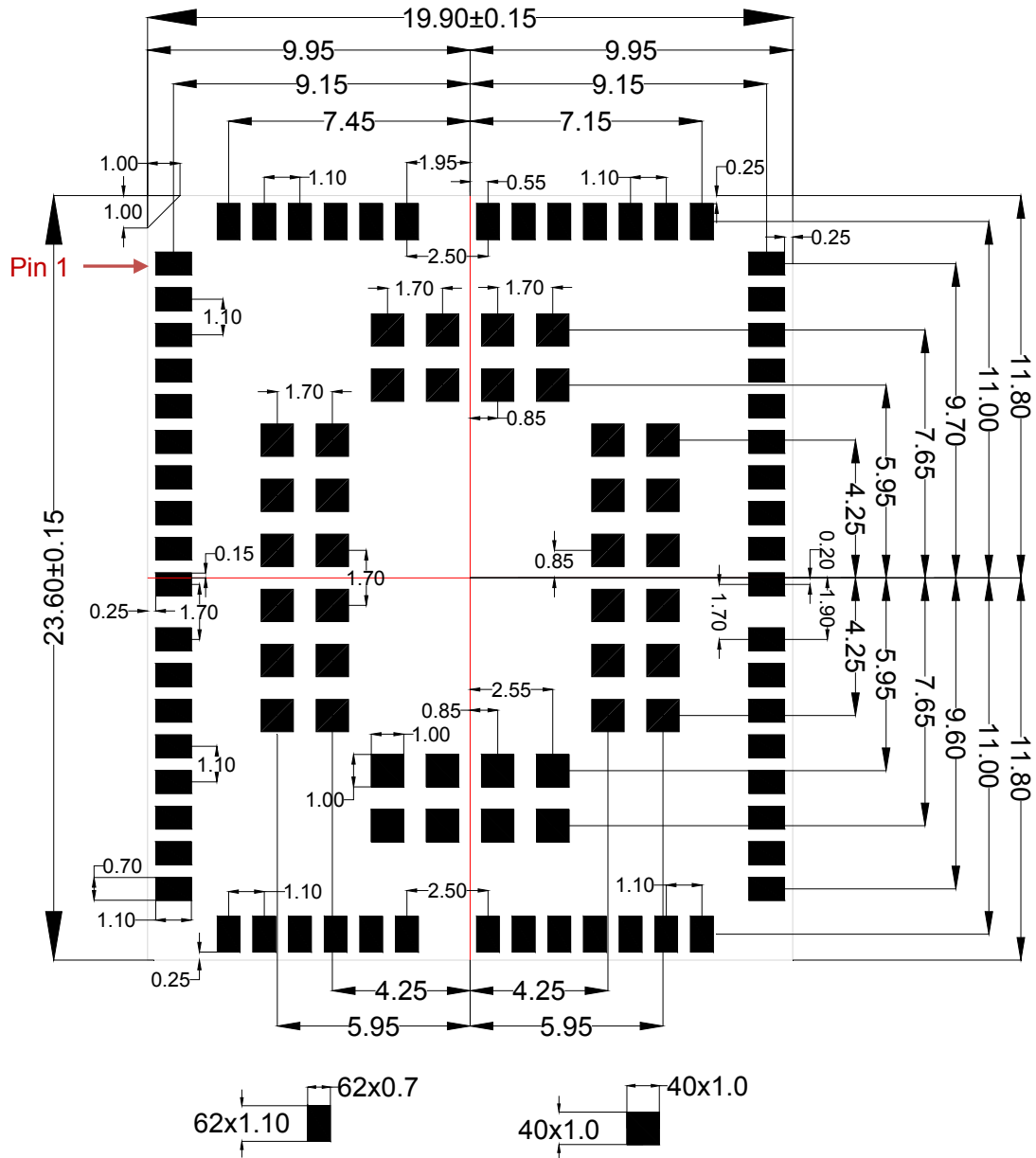


Figure 36: Recommended Footprint (Top View)

NOTES

1. For easy maintenance of the module, please keep about 3 mm between the module and other components on the motherboard.
2. All RESERVED pins must be kept open.
3. For stencil design requirements of the module, please refer to *document [5]*.

7.3. Top and Bottom Views



Figure 37: Top View of the Module

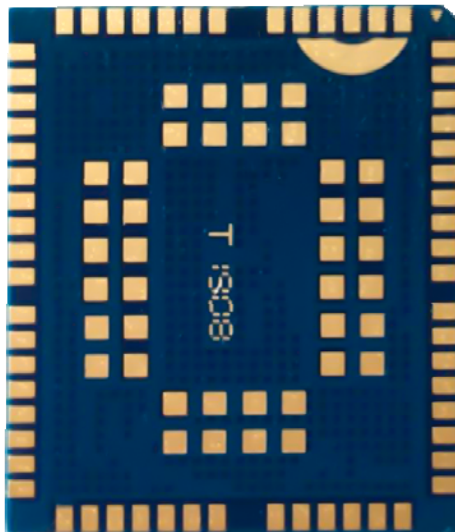


Figure 38: Bottom View of the Module

NOTE

These are renderings of BG95 module. For authentic appearance, please refer to the module that you receive from Quectel.

8 Storage, Manufacturing and Packaging

8.1. Storage

BG95 is stored in a vacuum-sealed bag. It is rated at MSL 3, and its storage restrictions are listed below.

1. Shelf life in the vacuum-sealed bag: 12 months at $< 40\text{ }^{\circ}\text{C}/90\% \text{ RH}$.
2. After the vacuum-sealed bag is opened, devices that will be subjected to reflow soldering or other high temperature processes must be:
 - Mounted within 168 hours at the factory environment of $\leq 30\text{ }^{\circ}\text{C}/60\% \text{ RH}$.
 - Stored at $< 10\% \text{ RH}$.
3. Devices require baking before mounting, if any circumstance below occurs.
 - When the ambient temperature is $23 \pm 5\text{ }^{\circ}\text{C}$ and the humidity indication card shows the humidity is $> 10\%$ before opening the vacuum-sealed bag.
 - Device mounting cannot be finished within 168 hours at factory conditions of $\leq 30\text{ }^{\circ}\text{C}/60\% \text{ RH}$.
4. If baking is required, devices may be baked for 8 hours at $120 \pm 5\text{ }^{\circ}\text{C}$.

NOTE

As the plastic package cannot be subjected to high temperature, it should be removed from devices before high temperature ($120\text{ }^{\circ}\text{C}$) baking. If shorter baking time is desired, please refer to *IPC/JEDECJ-STD-033* for baking procedure.

8.2. Manufacturing and Soldering

Push the squeegee to apply the solder paste on the surface of stencil, thus making the paste fill the stencil openings and then penetrate to the PCB. The force on the squeegee should be adjusted properly so as to produce a clean stencil surface on a single pass. To ensure the module soldering quality, the thickness of stencil for the module is recommended to be 0.13–0.15 mm. For more details, please refer to **document [5]**.

It is suggested that the peak reflow temperature is 238–245 °C, and the absolute maximum reflow temperature is 245 °C. To avoid damage to the module caused by repeated heating, it is strongly recommended that the module should be mounted after reflow soldering for the other side of PCB has been completed. The recommended reflow soldering thermal profile (lead-free reflow soldering) and related parameters are shown below.

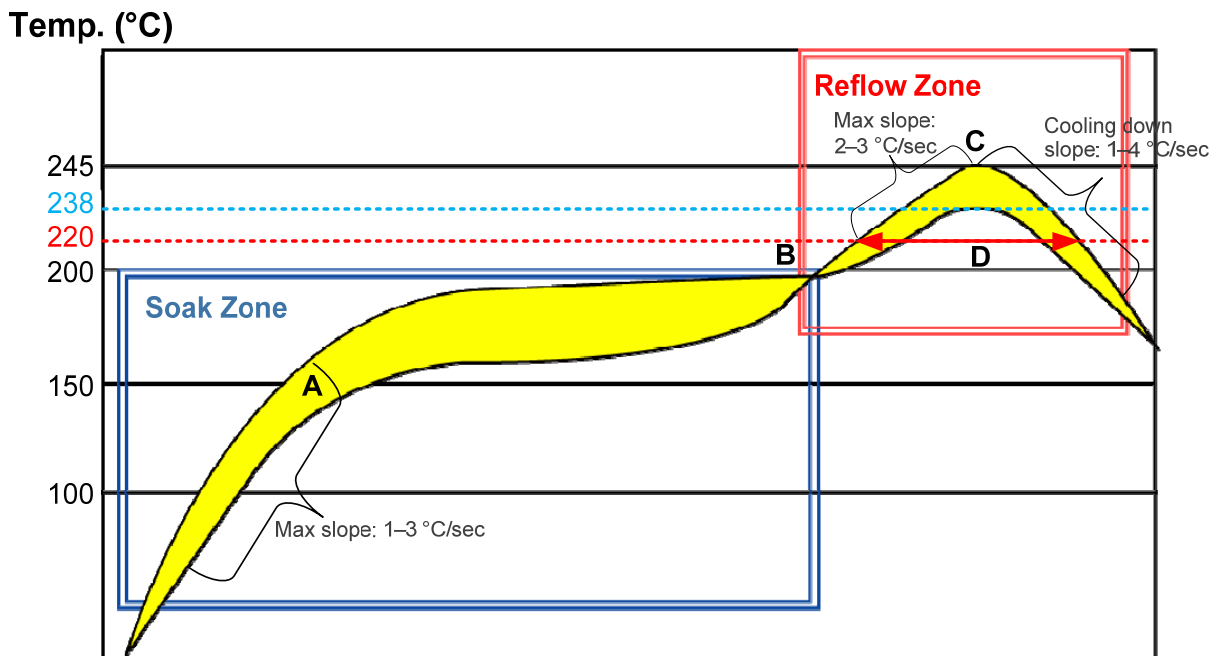


Figure 39: Recommended Reflow Soldering Thermal Profile

Table 46: Recommended Thermal Profile Parameters

Factor	Recommendation
Soak Zone	
Max slope	1 to 3 °C/sec
Soak time (between A and B: 150 °C and 200 °C)	60 to 120 sec

Reflow Zone	
Max slope	2 to 3 °C/sec
Reflow time (D: over 220 °C)	40 to 60 sec
Max temperature	238 to 245 °C
Cooling down slope	1 to 4 °C/sec
Reflow Cycle	
Max reflow cycle	1

8.3. Packaging

BG95 is packaged in a vacuum-sealed bag which is ESD protected. The bag should not be opened until the devices are ready to be soldered onto the application.

The reel is 330 mm in diameter and each reel contains 250 modules. The following figures show the packaging details, measured in millimeter (mm).

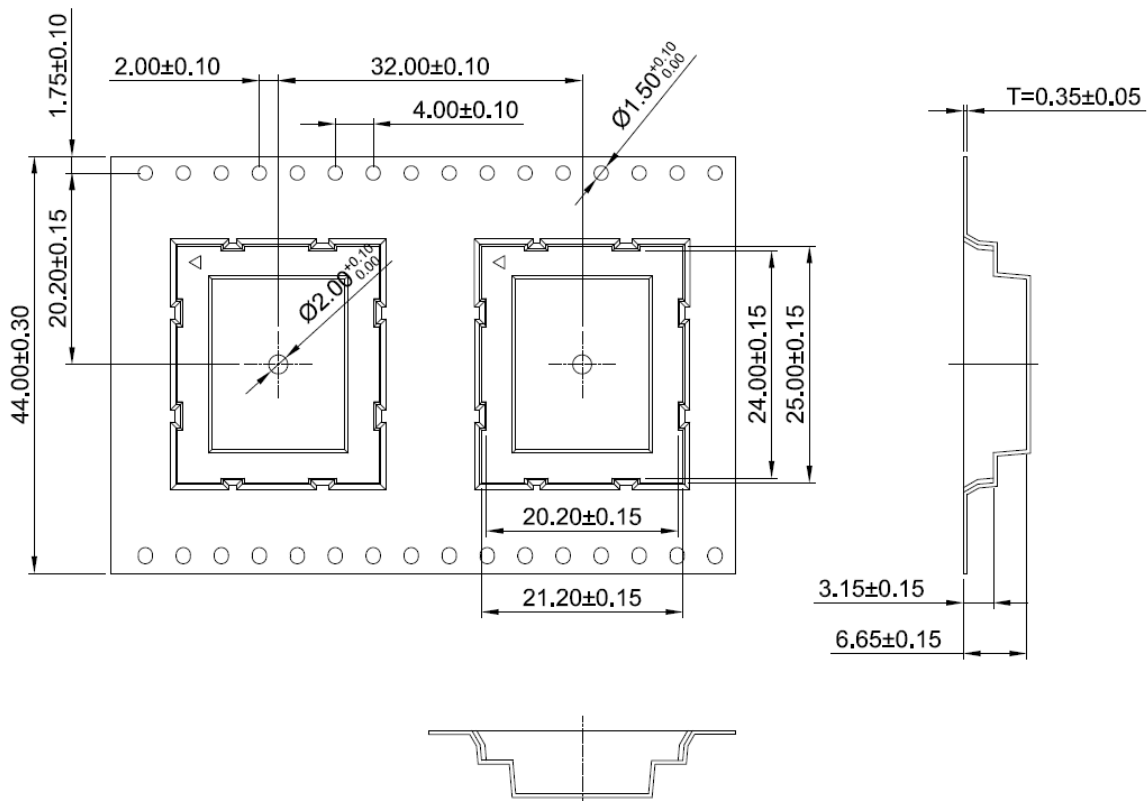


Figure 40: Tape Dimensions

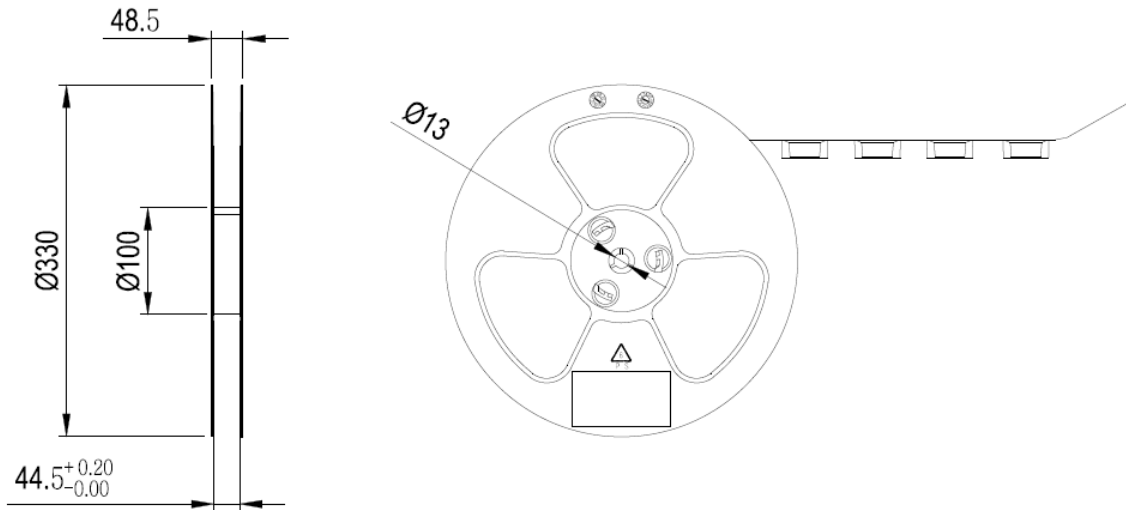


Figure 41: Reel Dimensions

Table 47: Packaging Specifications of BG95

MOQ for MP	Minimum Package: 250	Minimum Package × 4 = 1000
250	Size: 370 mm × 350 mm × 56 mm N.W: 0.61 kg G.W: 1.35 kg	Size: 380 mm × 250 mm × 365 mm N.W: 2.45 kg G.W: 6.28 kg

9 Appendix A References

Table 48: Related Documents

SN	Document Name	Remark
[1]	Quectel_UMTS<E_EVB_User_Guide	UMTS<E EVB User Guide
[2]	Quectel_BG95&BG77_AT_Commands_Manual	BG95/BG77 AT Commands Manual
[3]	Quectel_BG95&BG77_GNSS_Application_Note	BG95/BG77 GNSS Application Note
[4]	Quectel_RF_Layout_Application_Note	RF Layout Application Note
[5]	Quectel_Module_Secondary_SMT_User_Guide	Module Secondary SMT User Guide

Table 49: Terms and Abbreviations

Abbreviation	Description
AMR	Adaptive Multi-rate
bps	Bits Per Second
CHAP	Challenge Handshake Authentication Protocol
CS	Coding Scheme
CTS	Clear To Send
DFOTA	Delta Firmware Upgrade Over The Air
DL	Downlink
DTR	Data Terminal Ready
DTX	Discontinuous Transmission
e-I-DRX	Extended Idle Mode Discontinuous Reception
EPC	Evolved Packet Core

ESD	Electrostatic Discharge
FDD	Frequency Division Duplex
FR	Full Rate
GMSK	Gaussian Minimum Shift Keying
GSM	Global System for Mobile Communications
HSS	Home Subscriber Server
I/O	Input/Output
Inorm	Normal Current
LED	Light Emitting Diode
LNA	Low Noise Amplifier
LTE	Long Term Evolution
MO	Mobile Originated
MS	Mobile Station (GSM engine)
MT	Mobile Terminated
PAP	Password Authentication Protocol
PCB	Printed Circuit Board
PDU	Protocol Data Unit
PPP	Point-to-Point Protocol
PSM	Power Saving Mode
RF	Radio Frequency
RHCP	Right Hand Circularly Polarized
Rx	Receive
SISO	Single Input Single Output
SMS	Short Message Service
TDD	Time Division Duplexing

TX	Transmitting Direction
UL	Uplink
UE	User Equipment
URC	Unsolicited Result Code
(U)SIM	(Universal) Subscriber Identity Module
V _{max}	Maximum Voltage Value
V _{norm}	Normal Voltage Value
V _{min}	Minimum Voltage Value
V _{IHmax}	Maximum Input High Level Voltage Value
V _{IHmin}	Minimum Input High Level Voltage Value
V _{ILmax}	Maximum Input Low Level Voltage Value
V _{ILmin}	Minimum Input Low Level Voltage Value
V _{Imax}	Absolute Maximum Input Voltage Value
V _{Imin}	Absolute Minimum Input Voltage Value
V _{OHmax}	Maximum Output High Level Voltage Value
V _{OHmin}	Minimum Output High Level Voltage Value
V _{OLmax}	Maximum Output Low Level Voltage Value
V _{OLmin}	Minimum Output Low Level Voltage Value
VSWR	Voltage Standing Wave Ratio

10 Appendix B GPRS Coding Schemes

Table 50: Description of Different Coding Schemes

Scheme	CS-1	CS-2	CS-3	CS-4
Code Rate	1/2	2/3	3/4	1
USF	3	3	3	3
Pre-coded USF	3	6	6	12
Radio Block excl.USF and BCS	181	268	312	428
BCS	40	16	16	16
Tail	4	4	4	-
Coded Bits	456	588	676	456
Punctured Bits	0	132	220	-
Data Rate Kb/s	9.05	13.4	15.6	21.4

11 Appendix C GPRS Multi-slot Classes

Twenty-nine classes of GPRS multi-slot modes are defined for MS in GPRS specification. Multi-slot classes are product dependent, and determine the maximum achievable data rates in both the uplink and downlink directions. Written as 3+1 or 2+2, the first number indicates the amount of downlink timeslots, while the second number indicates the amount of uplink timeslots. The active slots determine the total number of slots the GPRS device can use simultaneously for both uplink and downlink communications.

The description of different multi-slot classes is shown in the following table.

Table 51: GPRS Multi-slot Classes

Multislot Class	Downlink Slots	Uplink Slots	Active Slots
1	1	1	2
2	2	1	3
3	2	2	3
4	3	1	4
5	2	2	4
6	3	2	4
7	3	3	4
8	4	1	5
9	3	2	5
10	4	2	5
11	4	3	5
12	4	4	5
13	3	3	NA
14	4	4	NA

15	5	5	NA
16	6	6	NA
17	7	7	NA
18	8	8	NA
19	6	2	NA
20	6	3	NA
21	6	4	NA
22	6	4	NA
23	6	6	NA
24	8	2	NA
25	8	3	NA
26	8	4	NA
27	8	4	NA
28	8	6	NA
29	8	8	NA
30	5	1	6
31	5	2	6
32	5	3	6
33	5	4	6

12 Appendix D EDGE Modulation and Coding Schemes

Table 52: EDGE Modulation and Coding Schemes

Coding Schemes	Modulation	Coding Family	1 Timeslot	2 Timeslot	4 Timeslot
CS-1	GMSK	/	9.05 kbps	18.1 kbps	36.2 kbps
CS-2	GMSK	/	13.4 kbps	26.8 kbps	53.6 kbps
CS-3	GMSK	/	15.6 kbps	31.2 kbps	62.4 kbps
CS-4	GMSK	/	21.4 kbps	42.8 kbps	85.6 kbps
MCS-1	GMSK	C	8.80 kbps	17.60 kbps	35.20 kbps
MCS-2	GMSK	B	11.2 kbps	22.4 kbps	44.8 kbps
MCS-3	GMSK	A	14.8 kbps	29.6 kbps	59.2 kbps
MCS-4	GMSK	C	17.6 kbps	35.2 kbps	70.4 kbps
MCS-5	8-PSK	B	22.4 kbps	44.8 kbps	89.6 kbps
MCS-6	8-PSK	A	29.6 kbps	59.2 kbps	118.4 kbps
MCS-7	8-PSK	B	44.8 kbps	89.6 kbps	179.2 kbps
MCS-8	8-PSK	A	54.4 kbps	108.8 kbps	217.6 kbps
MCS-9	8-PSK	A	59.2 kbps	118.4 kbps	236.8 kbps