

OMNI-DIRECTIONAL GROUND PLANE ANTENNA - 4dBi

700MHz Antenna Spec Sheet



The Mimomax Omni-Directional Ground Plane Antenna transmits omni directional (360 degrees).

Other features include:

- Vertically Polarized
- Wideband

It also covers 2G bands and has an optional mount available for wall or pole.

Optional shield accessories are available.

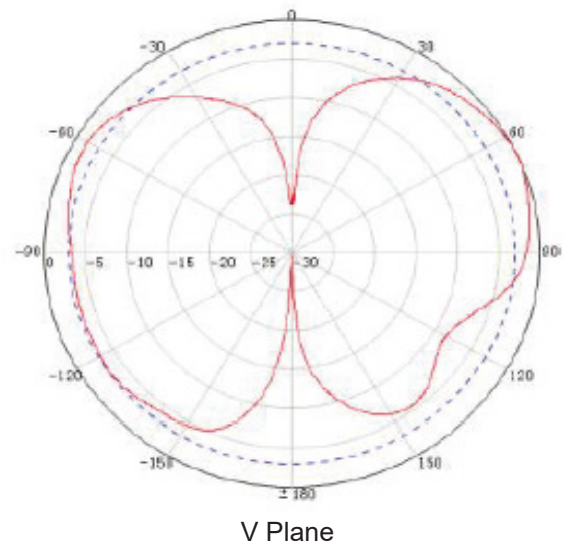
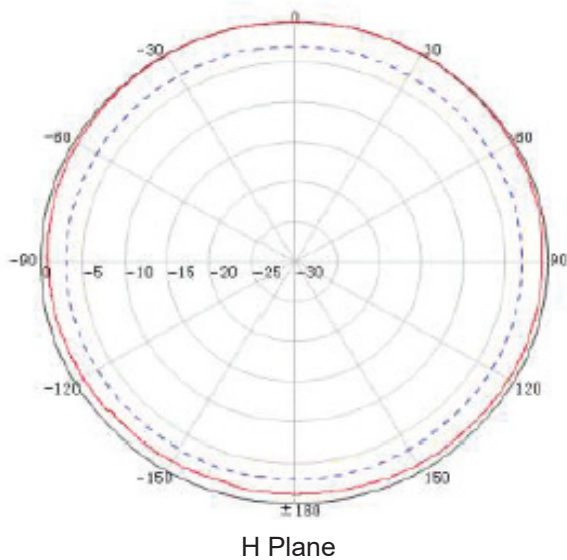
700MHz OMNI-DIRECTIONAL GROUND PLANE - 4dBi ANTENNA SPECIFICATIONS

Electrical Specifications		
Frequency Range	698-960 MHz	1710-2700MHz
Gain	2dBi	4dBi
VSWR	<1.7	<1.6
Polarisation	Vertical	
Horizontal Beamwidth	360 °	
Vertical Beamwidth	60 °	
Input Impedance	50 Ω	
Max Power	100 W	

Mechanical Specifications	
Connector	N-Female
Dimensions	8.1x2.7 inches \varnothing (205x68 mm \varnothing)
Packing Size	10.2x3.9x3.9 inches (260x100x100 mm)
Weight	1.55 lbs (0.7 kg)
Element Material	Aluminum (Aluminium)
Radome Material	UV-PVC
Rated Wind Velocity	130.5 mph (210 km/h)
Operating Temperature	-40 °F to 149 °F (-40 °C to +65 °C)
Mounting Pole	\varnothing 1.5" - \varnothing 2" (\varnothing 38 mm - \varnothing 52 mm)

Product Orders	
Product Code	Description
ANT-698-2K7-004-OS0G	700MHz Co-Linear, 698-2K7MHz, Ground Plane, 4dBi, 1 x N-Female

Important: Specifications are subject to change without prior notice



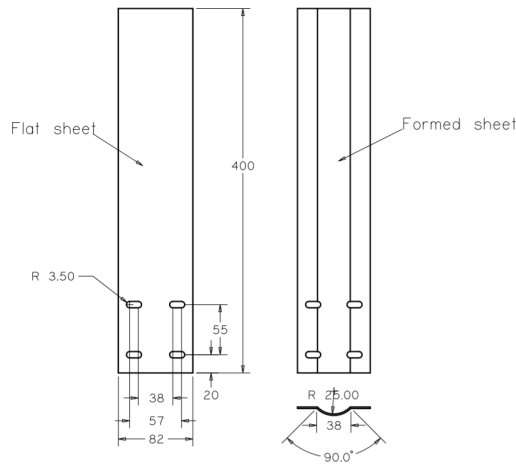
700MHz OMNI-DIRECTIONAL GROUND PLANE - 4dBi

ACCESSORIES: SHIELD SET

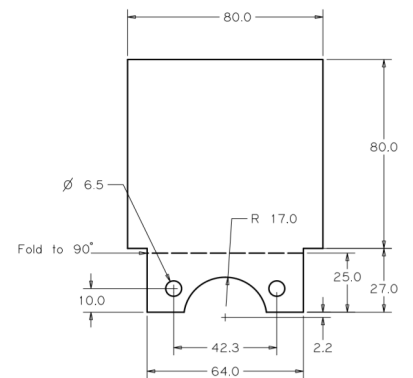
**Accessories sold separately*



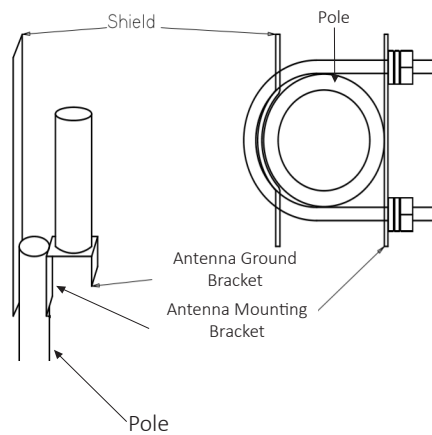
Antenna Shield



Antenna Ground Bracket



U Bolt to Pole top view



Installation guide:

- Unscrew bolts and nuts holding the antenna from the Antenna Mounting Bracket.
- Slide and fit the top of the Antenna Ground Bracket under the Antenna Mounting Bracket so that the screw holes and half circle antenna space are well aligned.
- Screw the Mounting Bracket and Ground Bracket together with the antenna.
- Position the shield on the other side of the pole (across the antenna) for mounting, so that the pole is sandwiched between the shield and antenna.
- Insert 2 x U bolts horizontally on the top and bottom screw holes of the shield and connect it with the Mounting Bracket as shown on the side.
- Orient assembly so that the shield is directly between the interference source and the omni antenna.
- Tighten bolt and nuts to make sure that the antenna and shields are securely mounted to the pole.

Mechanical Specifications

Material	1.6mm Aluminum (Aluminium)
Finish	Debur, degrease and Passivate
Dimension (Shield)	400 x 82 mm
Dimension (Ground Bracket)	107 x 80 mm

Product Orders

Product Code	Description
ACC-698-2K7-004OS01	700MHz 4dBi Omni Antenna Shield Set

Important: Specifications are subject to change without prior notice