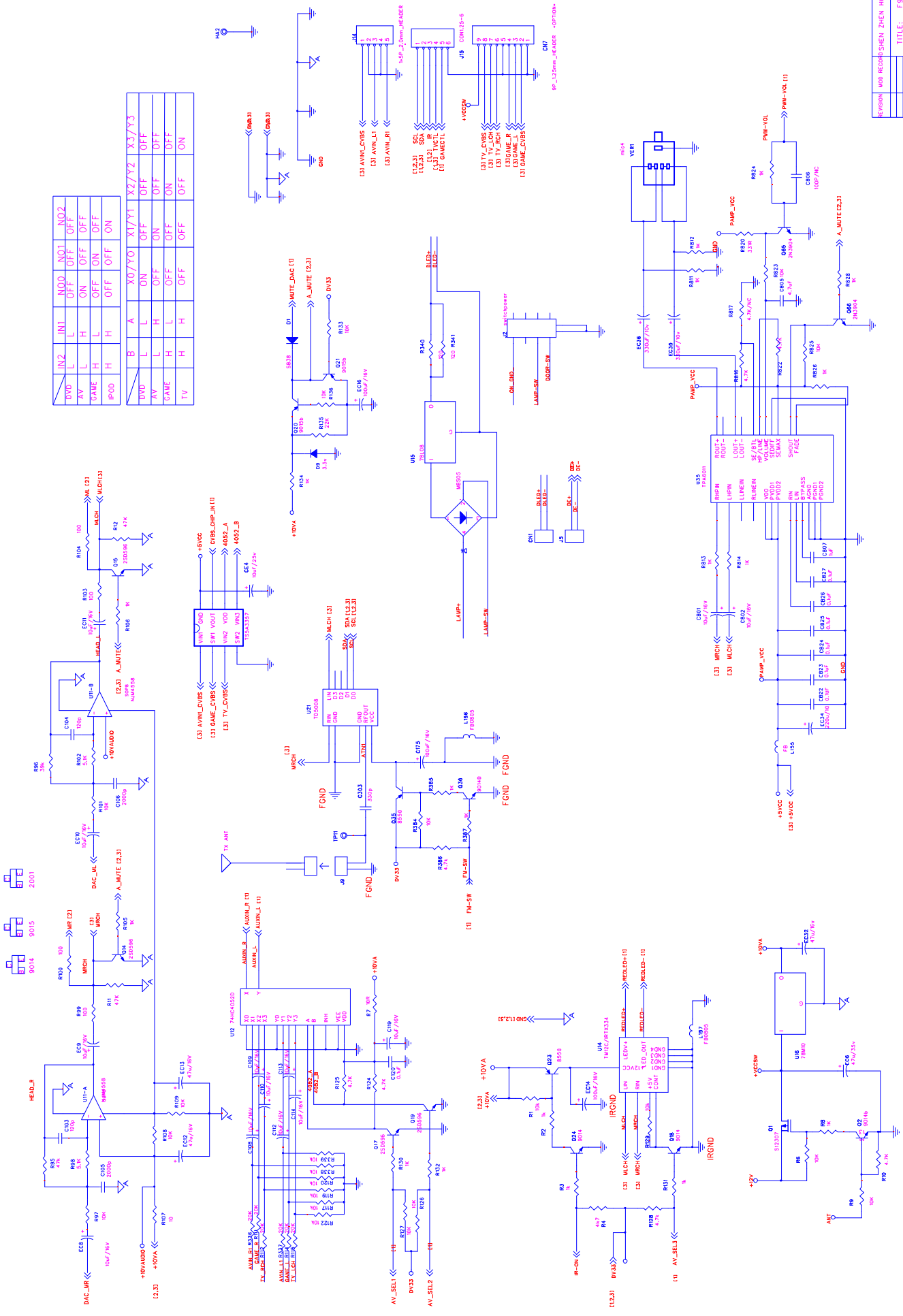
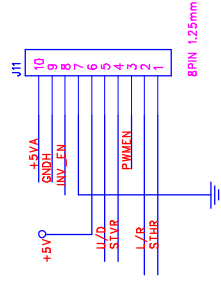
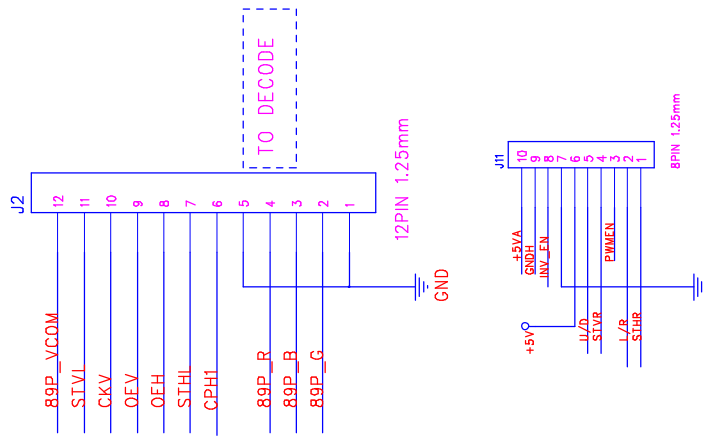
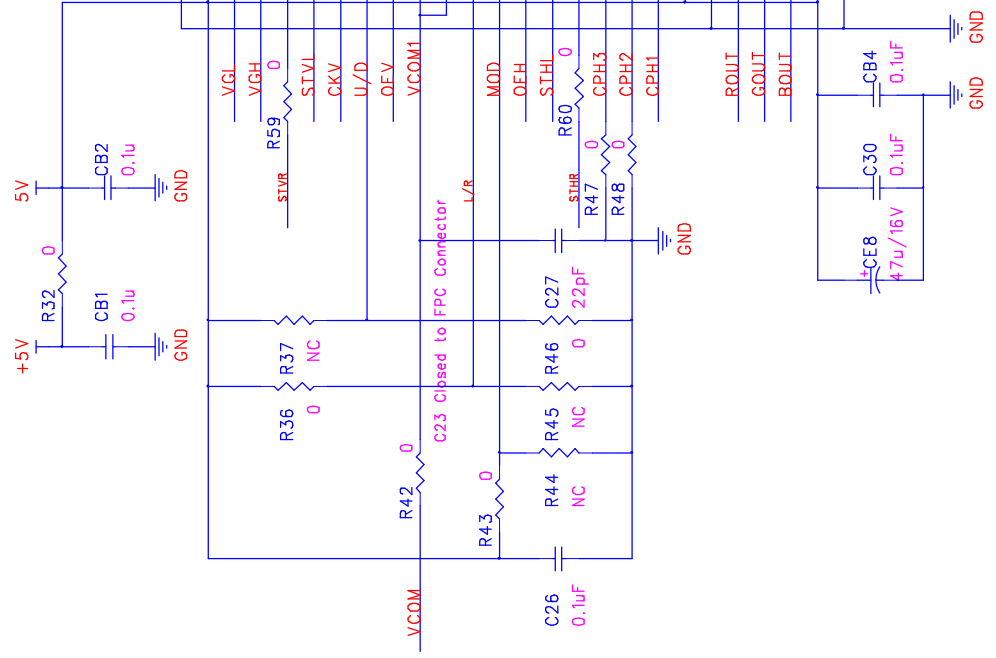
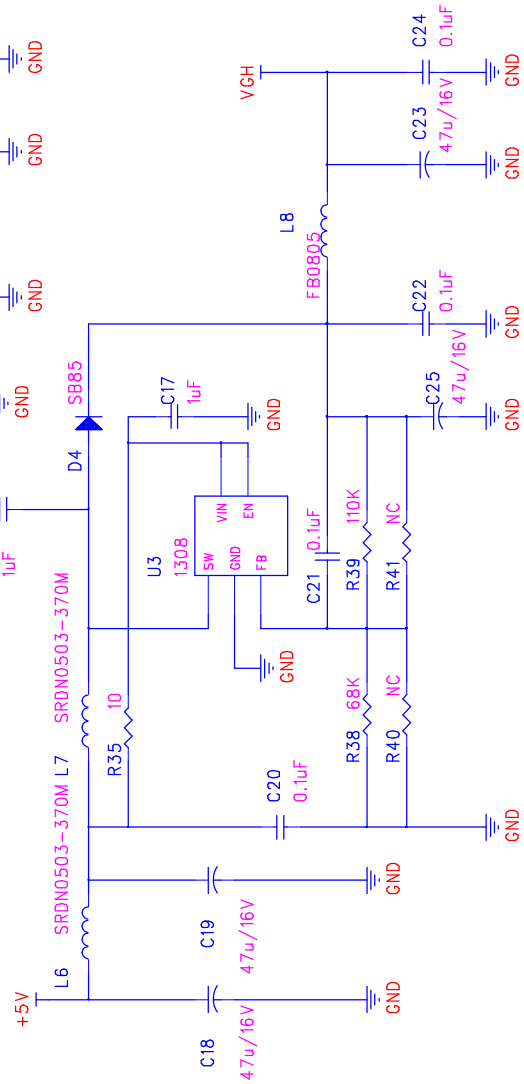
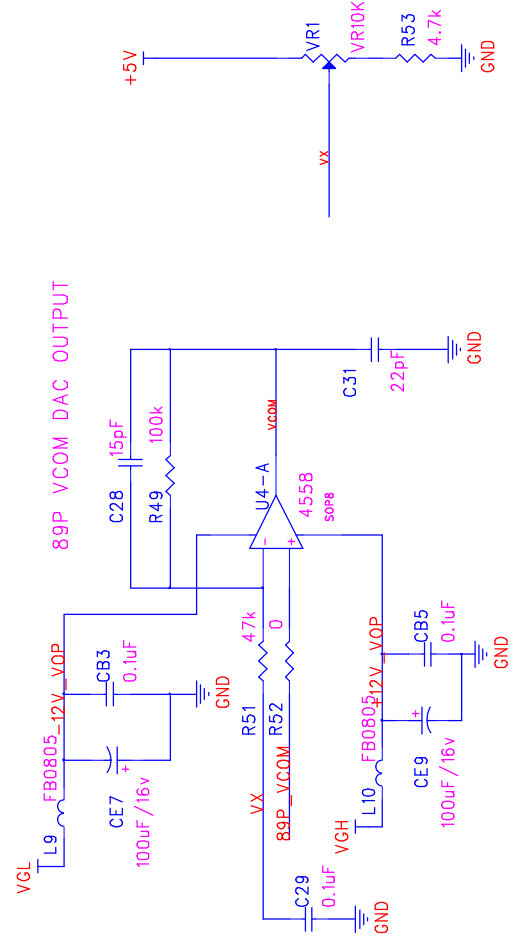
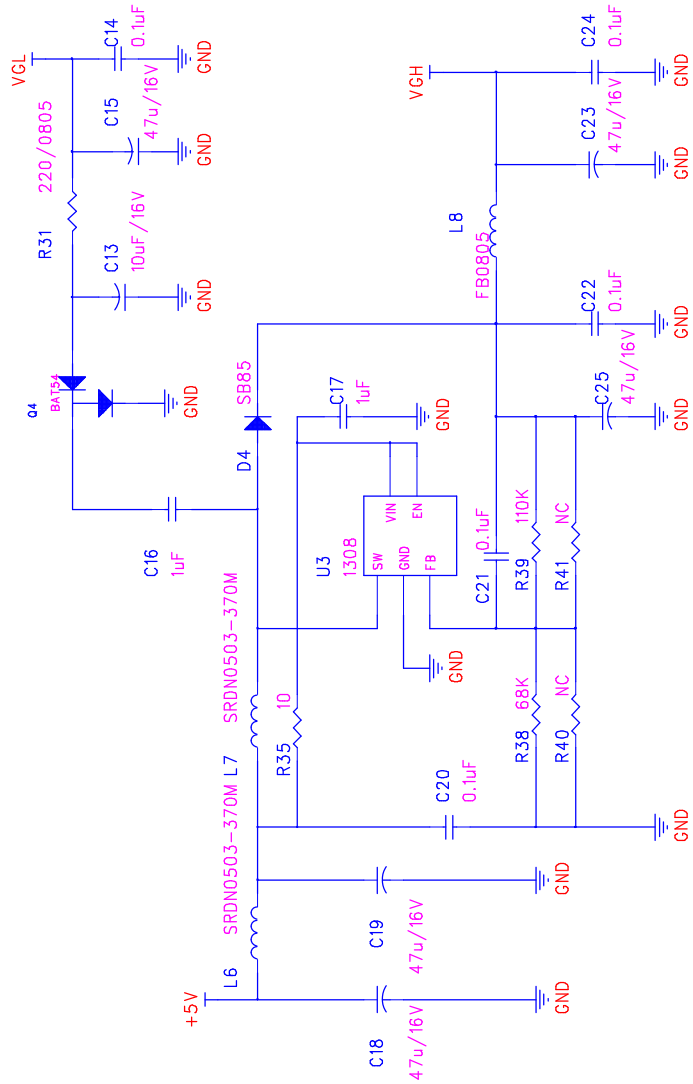
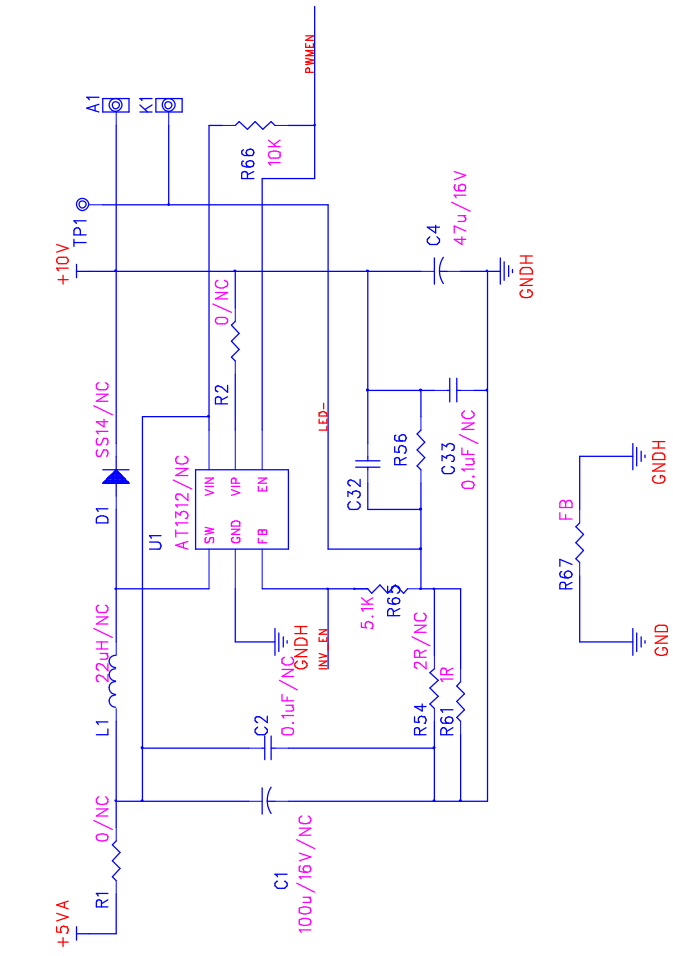
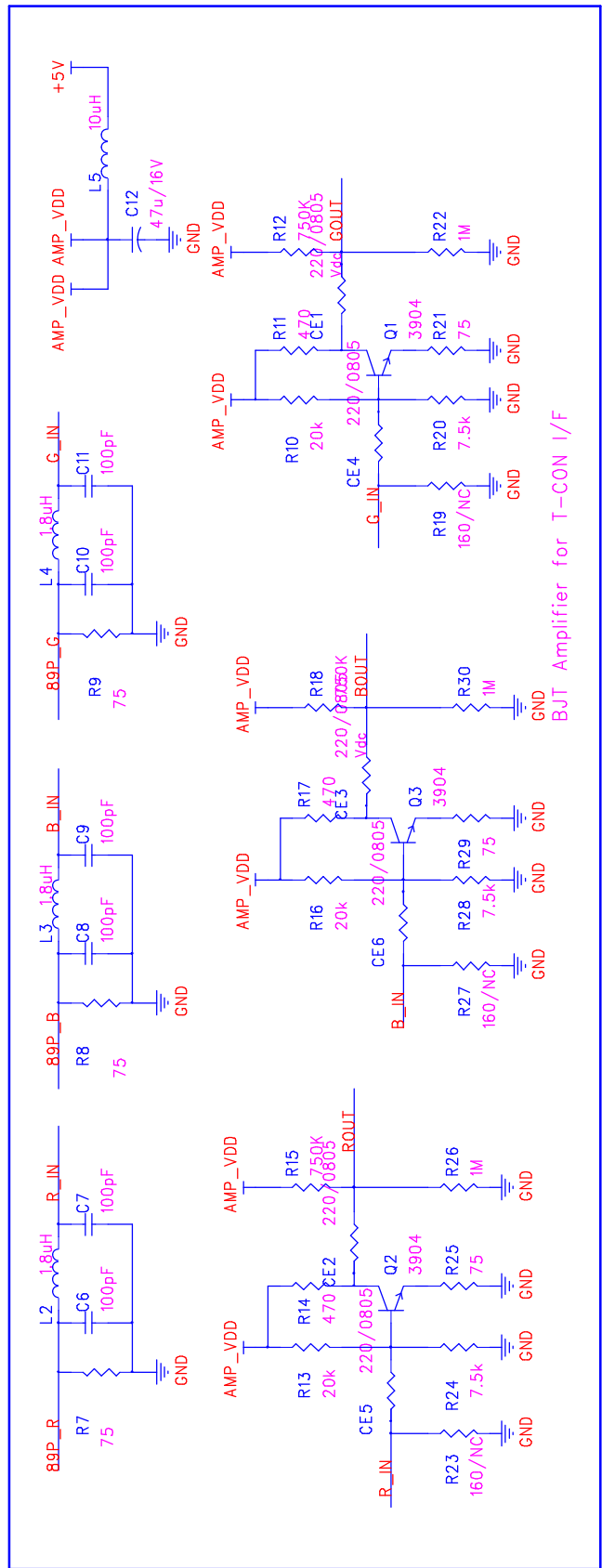


| | | | | | |
|------|-----|-----|-----|-----|-----|
| DVD | IN2 | IN1 | NO0 | NO1 | NO2 |
| AV | L | H | ON | OFF | OFF |
| GAME | L | H | ON | OFF | OFF |
| IPOD | H | H | OFF | ON | ON |

| | | | | | | |
|------|---|---|-------|-------|-------|-------|
| DVD | B | A | X0/Y0 | X1/Y1 | XZ/YZ | X3/Y3 |
| AV | L | L | ON | OFF | ON | OFF |
| GAME | H | L | OFF | ON | OFF | OFF |
| TV | H | H | OFF | OFF | OFF | ON |





HEADER 26 SMD0.5 BOTTOM

| | | | |
|----------|------------|----------|-------------|
| REVISION | MOD RECORD | DOCUMENT | F902_DRIVER |
| TITLE | DESIGNER | APPROVED | ITEM NO: |
| | | | 1 OF 1 |

