



NS-SPBTWAVE2_17-0900_QSG_V3_EN.ai 1 2/1/2018 10:10:31 AM



QUICK SETUP GUIDE

Portable Bluetooth Speaker

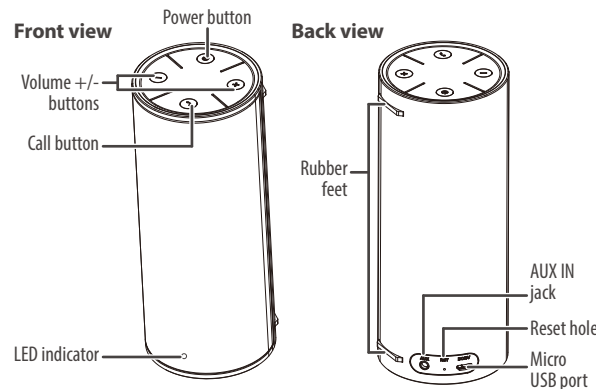
NS-SPBTWAVE2 / NS-SPBTWAVE2-XX

PACKAGE CONTENTS

- Bluetooth speaker
- USB cable
- Quick Setup Guide

FEATURES

- Wirelessly stream from any Bluetooth device
- Rechargeable battery lasts up to 12 hours
- Speakerphone for hands-free calling
- Rubber feet support a horizontal or vertical orientation



Before using your new product, please read these instructions to prevent any damage.

IMPORTANT SAFETY INSTRUCTIONS

- Read these instructions.
- Keep these instructions.
- Heed all warnings.
- Follow all instructions.
- Do not use this speaker near water.
- Clean only with a dry cloth.
- Do not block any ventilation openings. Install in accordance with the manufacturer's instructions.
- Do not install near any heat sources such as radiators, heat registers, stoves, or other apparatus (including amplifiers) that produce heat.
- Only use attachments/accessories specified by the manufacturer.
- Unplug this speaker during lightning storms or when unused for long periods of time.
- Refer all servicing to qualified service personnel. Servicing is required when the speaker has been damaged in any way, such as if the speaker is dropped, exposed to liquids, or does not operate normally.
- Never expose the product to fire as this could result in personal injury.
- Do not store the product in an extremely cold or warm environment.
- Never dismantle the product.
- Never let children play with the product.
- Do not expose the product to dampness or moisture.
- The product should not be exposed to dripping or splashing.

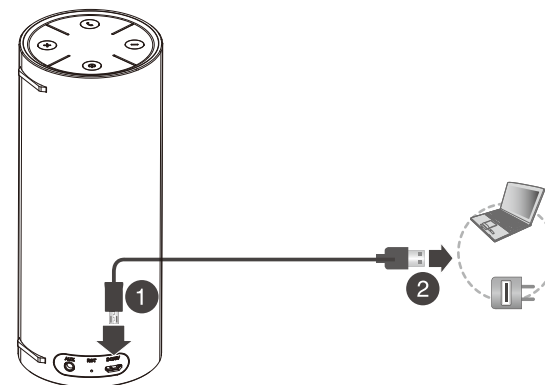
Note: The battery in this speaker cannot be replaced by the user.

Flat size (W×H): 355.6 × 139.7 mm
Final folded size: 44.45 × 139.7 mm

CHARGING YOUR SPEAKER

- 1 Connect the small end of the charging cable to the micro USB port on the back of your speaker.
- 2 Connect the other end to a USB port on your computer or wall adapter (not included). The LED indicator is red while charging, then turns off when the speaker is fully charged.

Note: The speaker beeps continually when the battery is low. About five minutes later, the speaker turns off automatically.



CONNECTING AN AUDIO DEVICE

Bluetooth

- 1 Press and hold (power) to turn on your speaker. The LED indicator blinks blue quickly and your speaker automatically enters pairing mode.
- 2 Make sure that your Bluetooth device is within 33 ft. (10 m) of your speaker.
- 3 Turn on your Bluetooth device, turn on Bluetooth, then enter pairing mode. For more information, see the documentation that came with your Bluetooth device.
- 4 On your Bluetooth device, select **NS-SPBTWAVE2**. Your speaker pairs with your Bluetooth device and the LED indicator lights solid blue.

- 5 To disconnect, un-pair your Bluetooth device from your speaker. OR Press and hold (call) for three seconds on your speaker. Your Bluetooth devices loses connection automatically.

Audio cable

- Connect a 3.5 mm audio cable (not included) from your speaker's AUX jack to your audio device's headphone/audio out jack. The LED indicator blinks blue slowly while connected to an audio cable.

RECONNECTING TO A PAIRED DEVICE

When your speaker is not paired to a device, the LED blinks blue.

Your speaker loses the Bluetooth connection if you...	To reconnect...
Turn off your speaker.	Turn on your speaker. Your speaker searches for the last connected Bluetooth device and reconnects.
Move the Bluetooth device out of range.	Make sure that your Bluetooth device is within 33 feet of your speaker.
Turn off your Bluetooth device.	Turn on your Bluetooth device, then make sure that Bluetooth is on.
Turn off Bluetooth on your Bluetooth device.	Turn on Bluetooth on your Bluetooth device.
Connect your Bluetooth device to another Bluetooth device.	Disconnect your Bluetooth device from the other Bluetooth device, then set your device to pairing mode. Select NS-SPBTWAVE2 on your Bluetooth device.

Note: The Bluetooth range (33 ft./10 m) may be reduced if the wireless signal has to pass through walls or other obstructions.

USING YOUR SPEAKER






Listening to audio

- 1 Connect to your speaker with Bluetooth or an audio cable.
- 2 Play audio on your connected device.
- 3 Press + or - to adjust your speaker's volume.
Note: Make sure that your connected device's volume is set to at least 50%.
- 4 Use the controls on your connected device to control playback.

TAKING A PHONE CALL

Using your speaker

The following functions are available when paired to a phone with Bluetooth:

- **Reject an incoming call:** Press and hold  (call).
- **Answer an incoming call:** Press  (call).
- **Switch audio between your speaker and phone:** Press and hold  (call).
- **End current call:** Press  (call).
- **Redial the last dialed number:** Press  (call) twice.


LED indicator

LED	FUNCTION
Blinks blue quickly	Bluetooth pairing mode
Lights solid blue	Paired to a Bluetooth device
Blinks blue slowly	Connected to an AUX device
Lights red	Speaker is charging (charging complete when LED turns off)

SPECIFICATIONS

- **Dimensions (H x W x D):** 6.77 x 2.75 x 2.75 in. (17.2 x 7 x 7 cm)
- **Battery size:** 2,000 mAh
- **Wattage:** 3W
- **USB cable length:** 11.8 in. (30 cm)
- **Range:** 33 ft. (10 m)
- **Run time:** 12 hours
- **Charge time:** 4.5 hours
- **Weight:** 1.01 lbs. (0.46 kg)

TROUBLESHOOTING

PROBLEM	SOLUTION
No power	<ul style="list-style-type: none"> • Make sure that your speaker's battery is charged. • Make sure that your speaker is turned on.
No sound or low volume	<ul style="list-style-type: none"> • Make sure that your Bluetooth device is turned on, Bluetooth is turned on, and NS-SPBTWAVE2 is selected. • Turn up the volume on your speaker and Bluetooth device. Make sure that your Bluetooth device is not muted. • Make sure that your speaker is not paired to another Bluetooth device. • Make sure that your Bluetooth device is not paired to another Bluetooth device. • Shorten the distance between your speaker and your Bluetooth device.
Cannot establish Bluetooth connection	<ul style="list-style-type: none"> • Make sure that your speaker is in pairing mode. Press and hold the  button to reenter pairing mode. • Shorten the distance between your speaker and your Bluetooth device. • Turn your devices off, then on. Re-pair your speaker and your Bluetooth device. • Make sure that your speaker is not paired to another Bluetooth device. • Make sure that your speaker and Bluetooth device are both in pairing mode. • Make sure that your Bluetooth device supports Bluetooth v4.0 and below. • Make sure that your Bluetooth device is not connected to any other device. • Make sure that you have selected NS-SPBTWAVE2 on your Bluetooth device. • Disconnect any audio cables connected to your speaker's AUX jack.
My Bluetooth device keeps unpairing	<ul style="list-style-type: none"> • Shorten the distance between your speaker and your Bluetooth device. • If the battery on your Bluetooth device is low, recharge the battery. • If the battery on your speaker is low, recharge the battery.
"NS-SPBTWAVE2" does not appear on my Bluetooth device	<ul style="list-style-type: none"> • Shorten the distance between your speaker and your Bluetooth device. • Put your speaker into pairing mode, then refresh your list of Bluetooth devices. For more information, see the documentation that came with your Bluetooth device.
Poor sound quality	<ul style="list-style-type: none"> • Move your speaker and Bluetooth device closer together. • Try a different music source. • Pair your speaker to a different mobile device. • Try changing the volume on your and music source.

LEGAL NOTICES

FCC

This device complies with Part 15 of the FCC rules. Operation is subject to the following two conditions: 1) this device may not cause harmful interference, and 2) this device must accept any interference received, including interference that may cause undesired operation.

This equipment has been tested and found to comply with the limits for a Class B digital device, pursuant to Part 15 of the FCC rules. These limits are designed to provide reasonable protection against harmful interference in a residential installation. This equipment generates, uses, and can radiate radio frequency energy and if not installed and used in accordance with the instructions, may cause harmful interference to radio communications. However, there is no guarantee that interference will not occur in a particular installation. If this equipment does cause harmful interference to radio or television reception, which can be determined by turning the equipment off and on, the user is encouraged to try correct the interference by one or more of the following measures:

- Reorient the receiving antenna.
- Increase the separation between the equipment and receiver.
- Connect the equipment into an outlet on a circuit different from that to which the receiver is connected.
- Consult the dealer or an experienced radio/TV technician for help.

You are cautioned that changes or modifications not expressly approved by the party responsible for compliance could void your authority to operate the equipment.

Note: The manufacturer is not responsible for any radio or TV interference caused by unauthorized modifications to this equipment. Such modifications could void the user's authority to operate the equipment.

RSS

IC Statement

This device complies with Industry Canada licence exempt RSS standard(s). Operation is subject to the following two conditions: (1) this device may not cause interference, and (2) this device must accept any interference, including interference that may cause undesired operation of the device.

Le présent appareil est conforme aux CNR d'Industrie Canada applicable s aux appareils radio exempts de licence. L'exploitation est autorisée aux deux conditions suiv antes : (1) l'appareil ne doit pas produire de brouillage, et (2) l'utilisateur de l'appareil doit accepter er tout brouillage radioélectrique subi, même si le brouillage est susceptible d'en comprom ettre le fonctionnement.

IFETEL Statement

La operación de este equipo está sujeta a las siguientes dos condiciones: 1. es posible que este equipo o dispositivo no cause interferencia perjudicial y 2. este equipo debe aceptar cualquier interferencia, incluyendo la que pueda causar su propia operación no deseada.

ONE-YEAR LIMITED WARRANTY

Visit www.insigniaproducts.com for details.

CONTACT INSIGNIA:

1-877-467-4289 (U.S. and Canada)
01-800-926-3000 (Mexico)
www.insigniaproducts.com

INSIGNIA is a trademark of Best Buy and its affiliated companies

Distributed by Best Buy Purchasing, LLC
7601 Penn Ave South, Richfield, MN 55423 U.S.A.
©2018 Best Buy. All rights reserved.

Made in China