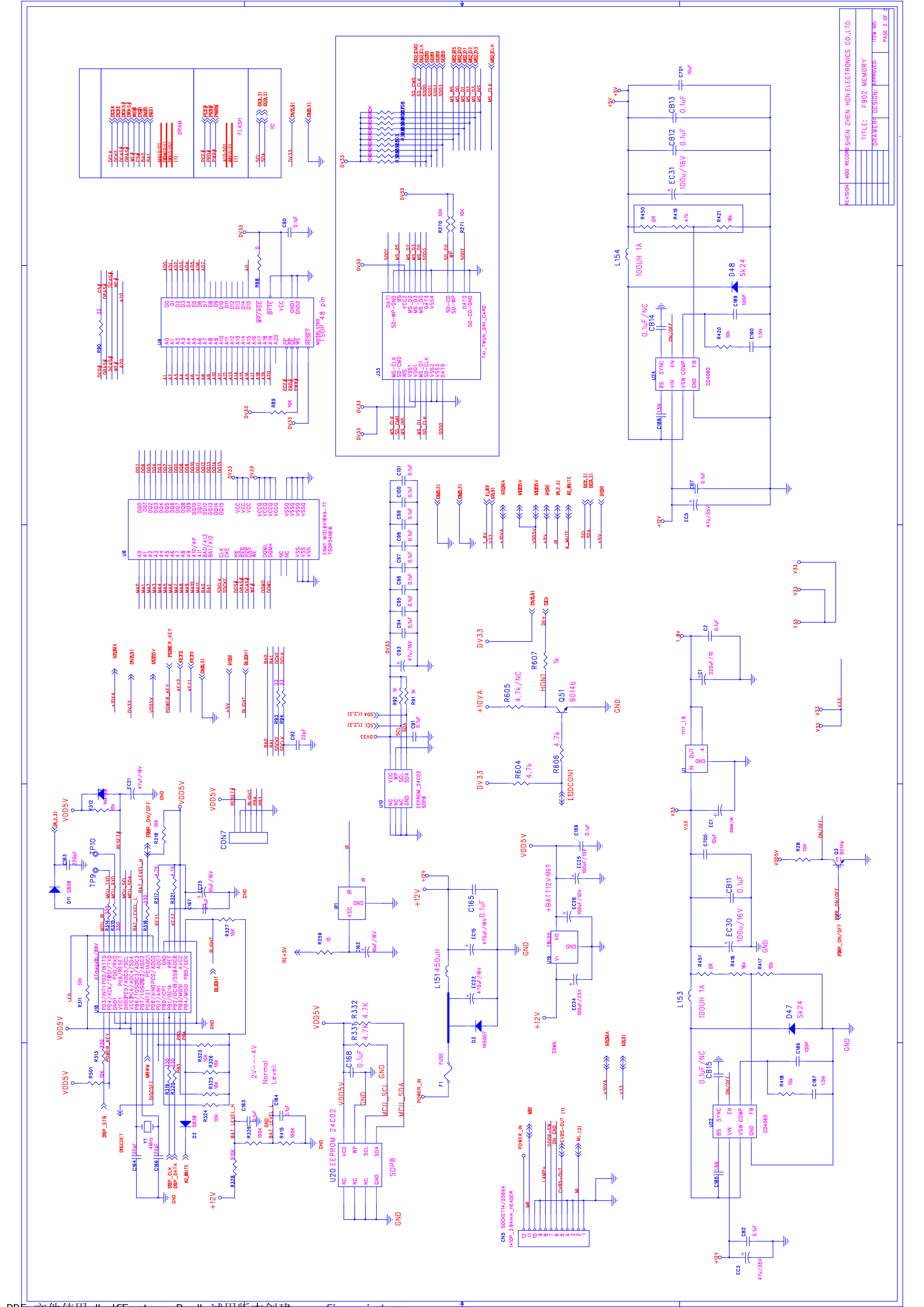


MT1389P

Pin Assignment v1.0

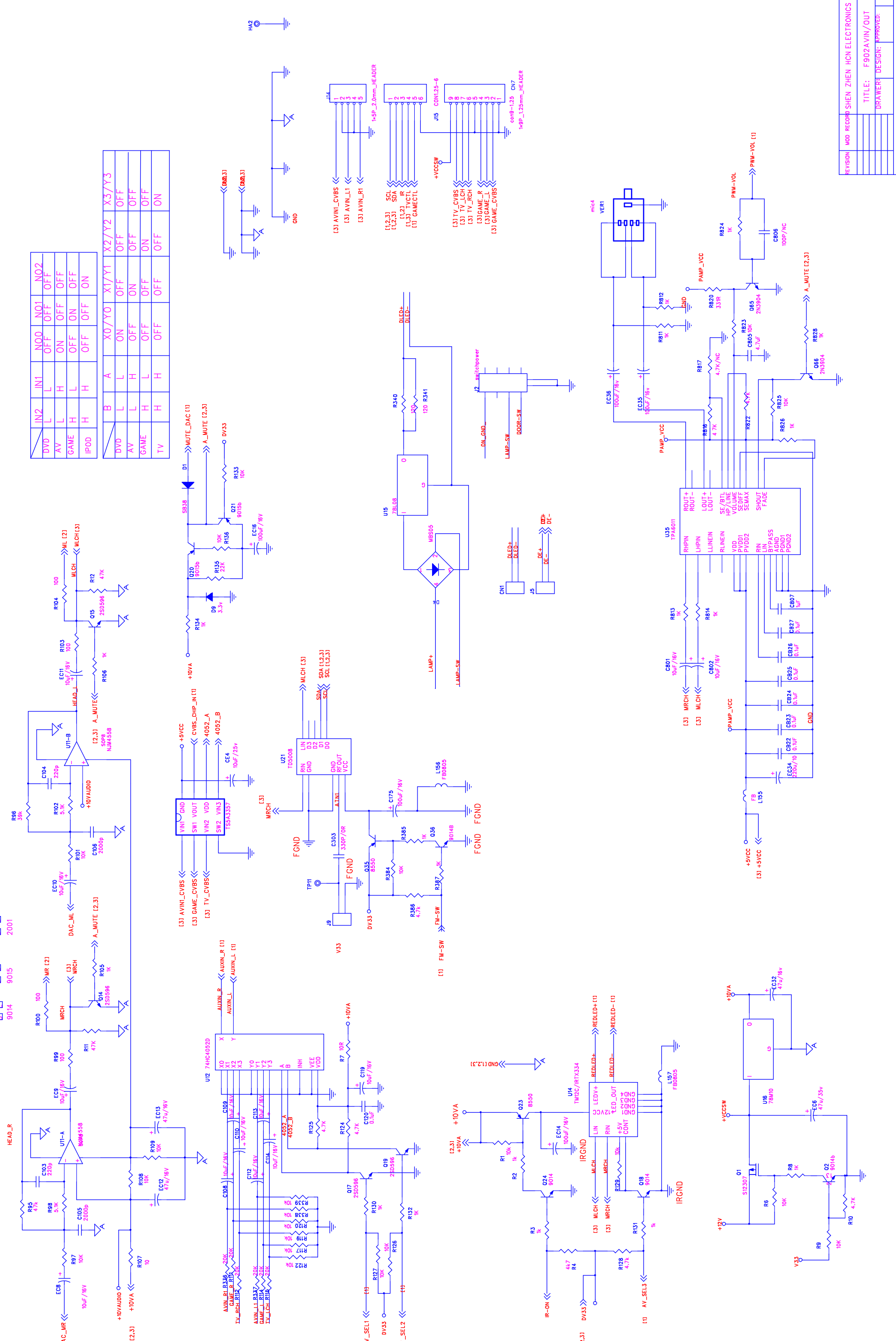
REVISION	MOD RECORD	SHEN ZHEN HCN ELECTRONICS CO.,LTD
TITLE	F902 MEPPG	DRAWER DESIGN
APPROVED		ITEM NO:
		PAGE 1 OF 3



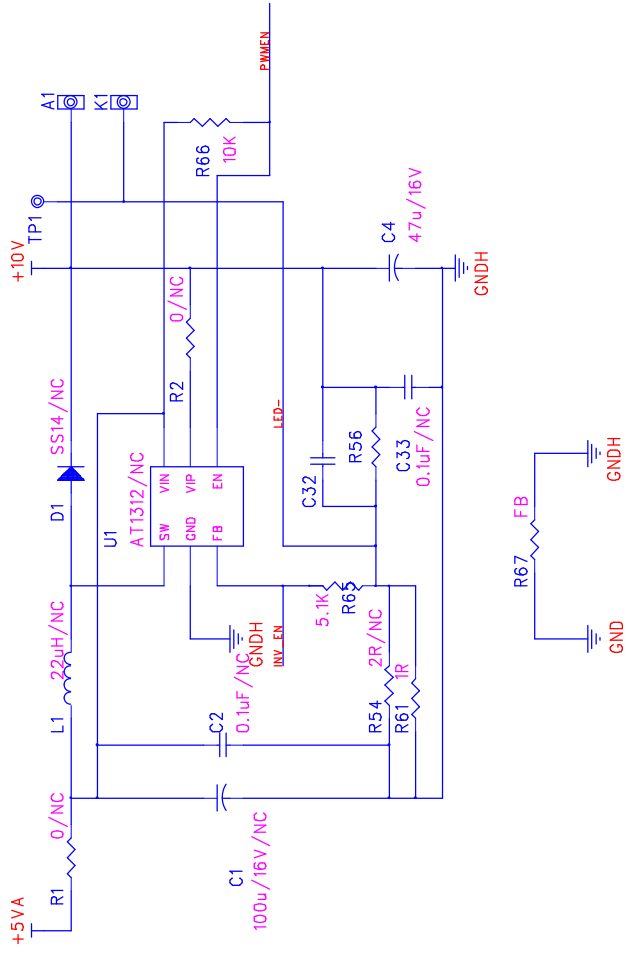
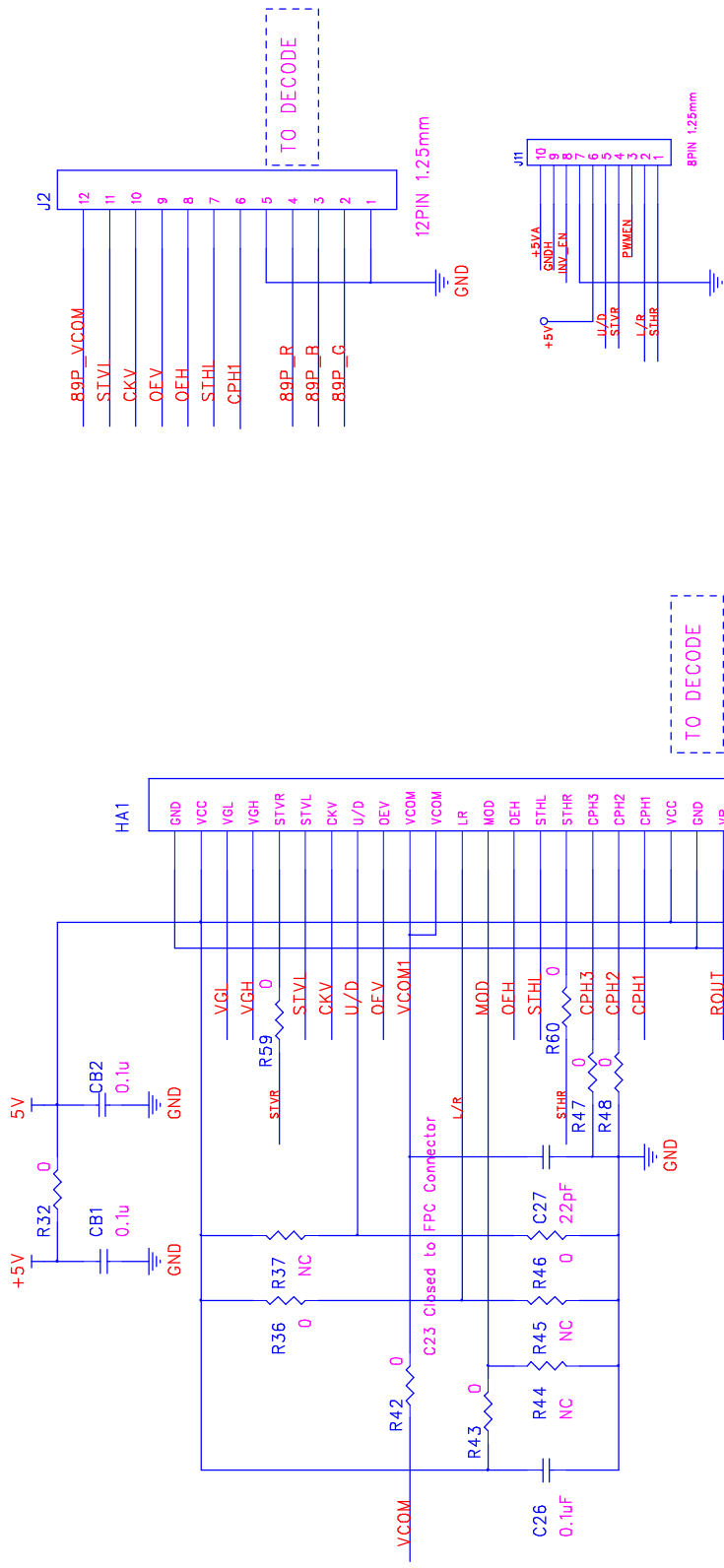
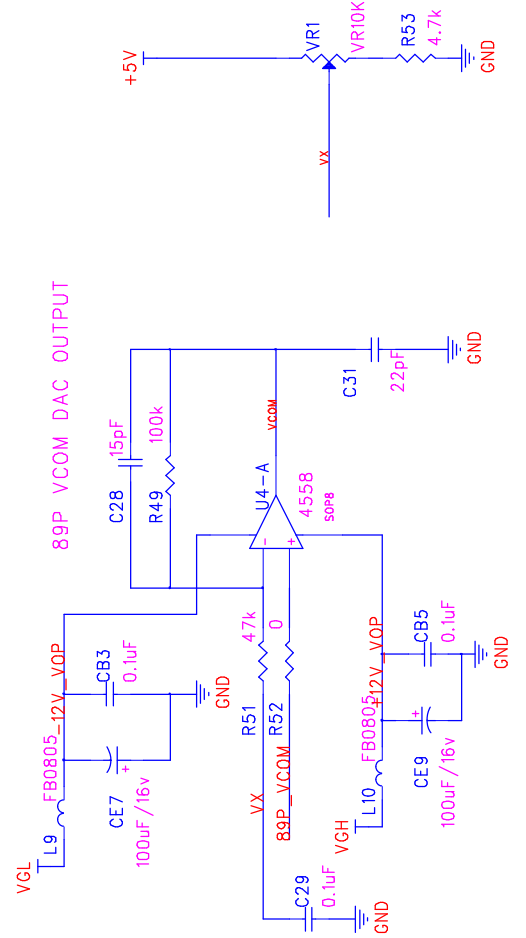
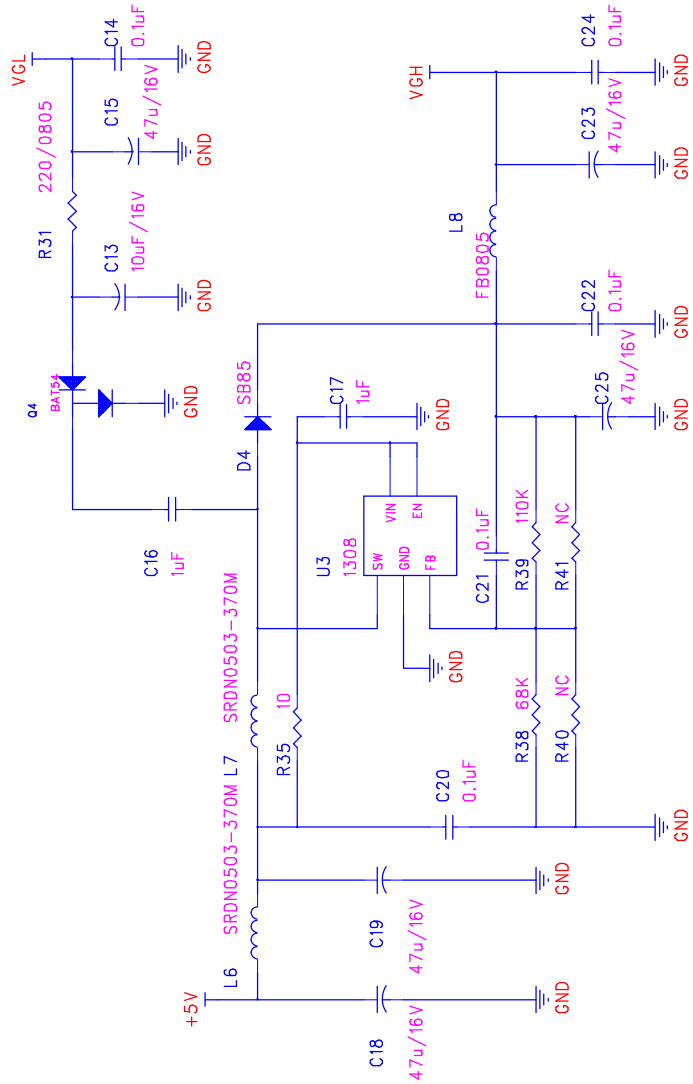
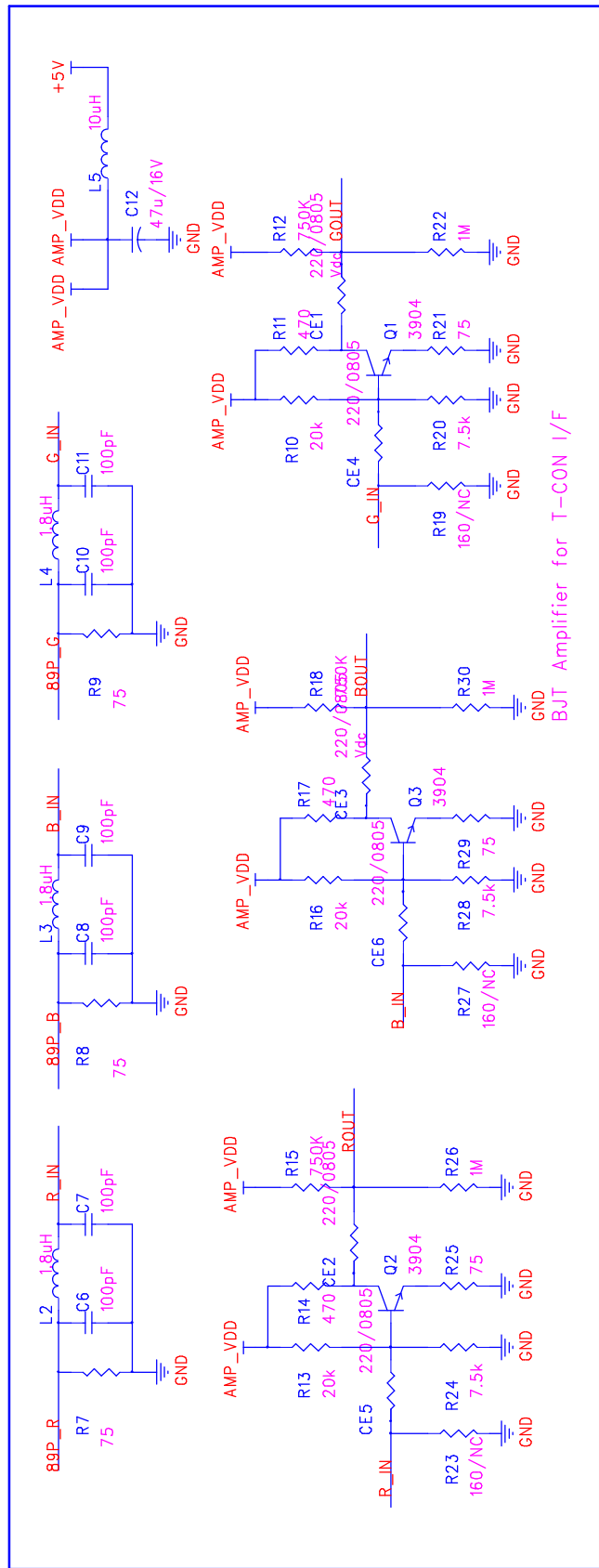
REVISION	MOD RECORD	SHEN ZHEN HCN ELECTRONICS CO.,LTD
		TITLE: F902 MEMORY
		DRAWER: DESIGN: APPROVED:
		ITEM NO:
		PAGE 2 OF 3

NO2	NO1	NO0	IN1	IN2
OFF	OFF	OFF	L	L
OFF	OFF	ON	H	H
OFF	OFF	OFF	L	L
OFF	OFF	OFF	H	H
ON	OFF	OFF	H	H

X3/Y3	X2/Y2	X1/Y1	X0/Y0	B
OFF	OFF	OFF	ON	L
OFF	OFF	ON	OFF	L
OFF	OFF	OFF	OFF	L
OFF	OFF	OFF	OFF	L
ON	OFF	OFF	OFF	H

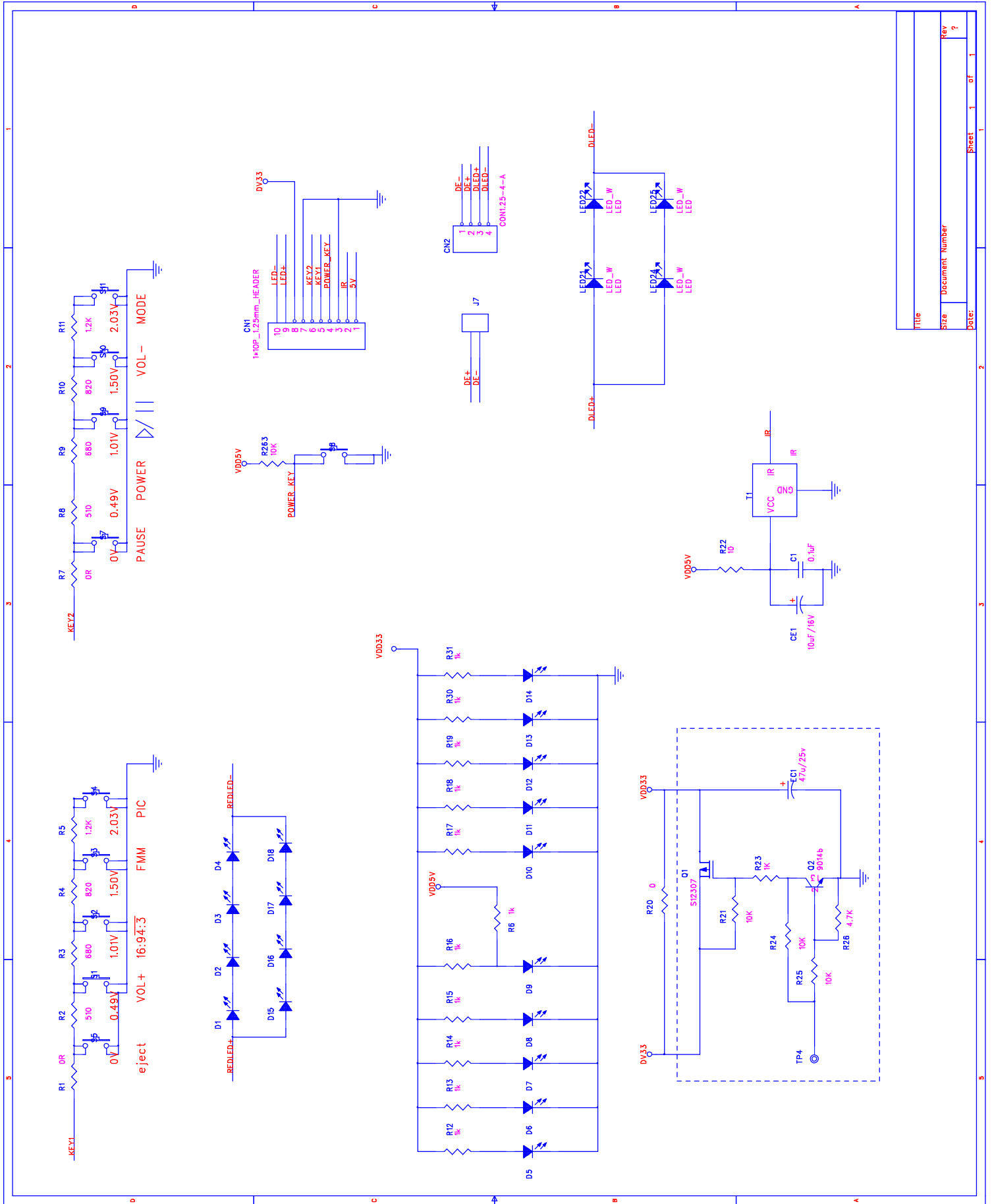


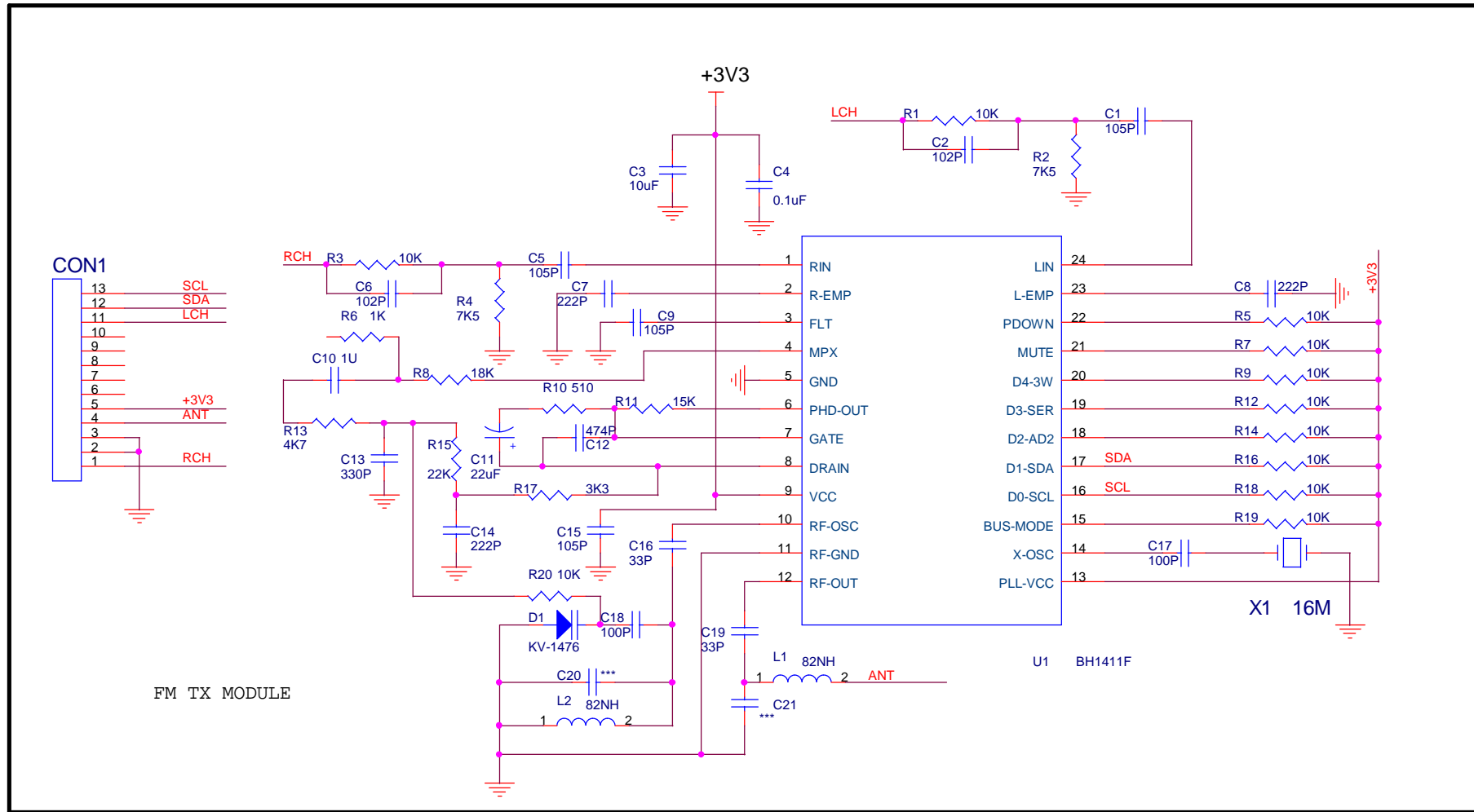
REVISION	MOD RECORD	SHEN ZHEN HCN ELECTRONICS CO.,LTD
		TITLE: F902AVIN/OUT
		DRAWER: DESIGN: APPROVED:
		ITEM NO:
		PAGE 3 OF 3



HEADER 26 SMD0.5 BOTTOM

SHEN ZHEN HCN ELECTRONICS CO.,LTD	
REVISION	DOCUMENT: F902_DRIVER
MOD RECORD	TITLE:
	DRAWER:
	APPROVED:
	ITEM NO:
	1 OF 1





FM TX MODULE

SHEN ZHEN HCN ELECTRONICS.,LTD					
REV	MOD RCORD	DOCUMENT: FM TX MODULE			
3.0	2009/03/18	TITLE:			
		DRAWER:	DESIGN:	STANDARD:	APPROVED: ITEM NO:
					1 OF 1