

TCOON2=B7 = R/L  
 TCOON3=B6 = LD  
 TCOON4=G7 = POL  
 TCOON5=G6 = STHR  
 TCOON6=R7 = OEH  
 TCOON7=R6 = U/D  
 TCOON8=HSYNC = CPV  
 TCOON9=VSYNC = STVR  
 TCOON10=DEO = STVL

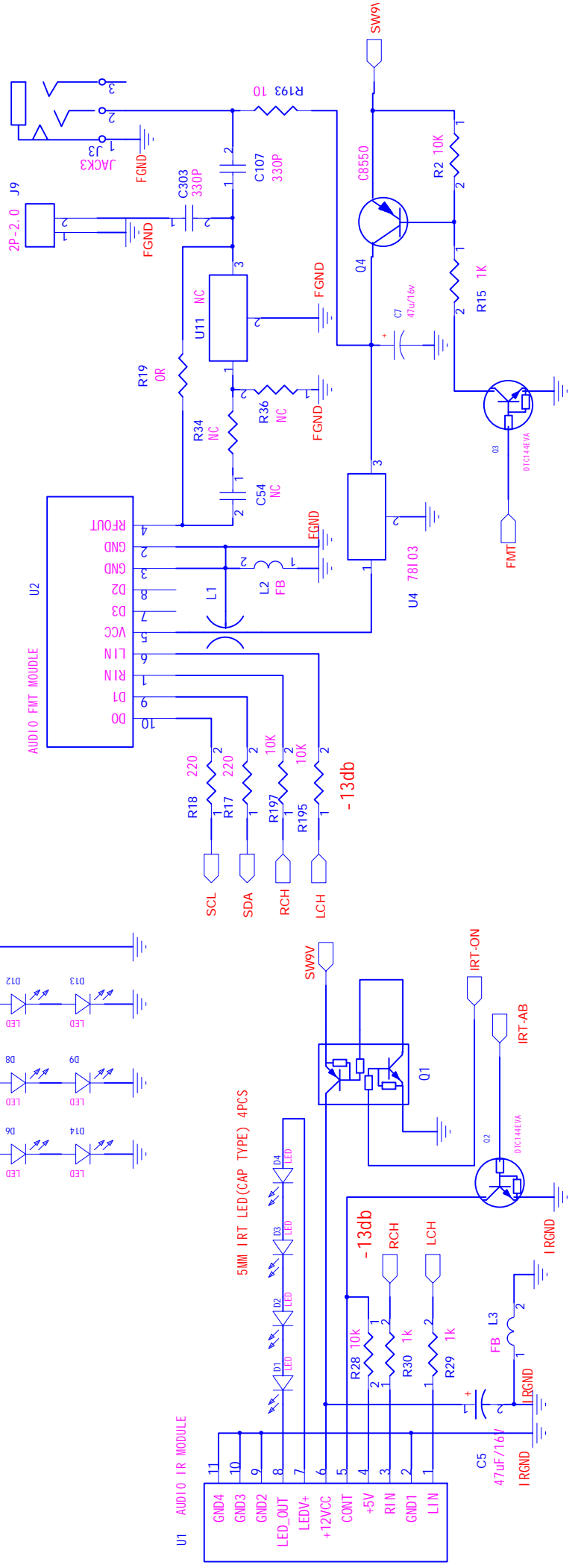
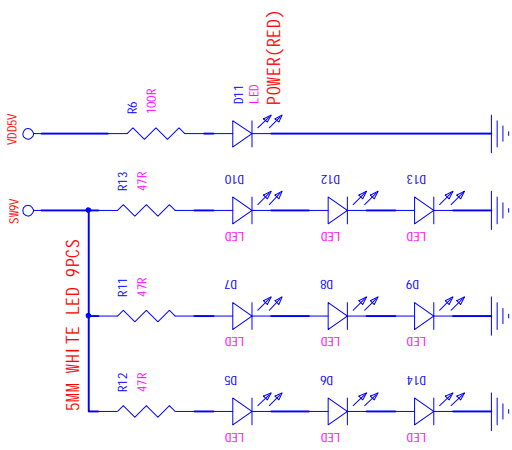
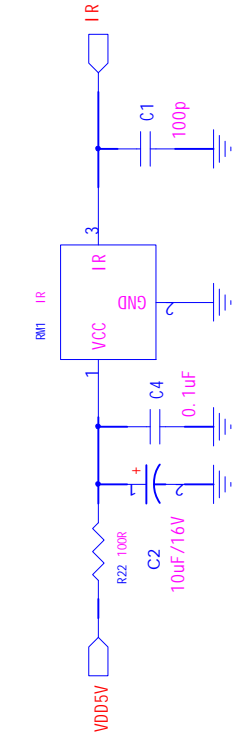
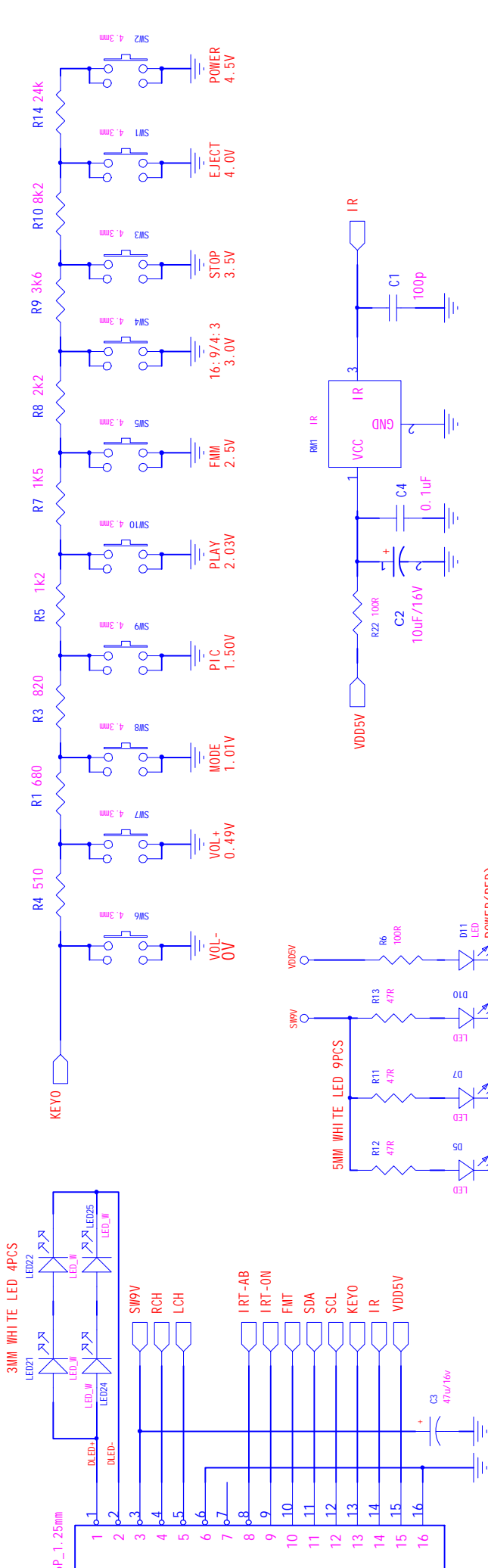
**MST715C**  
 D\_PANEL w/TCOON  
 1C1S+DPWM  
 SAR\*3+GPIO\*2+PWM\*2

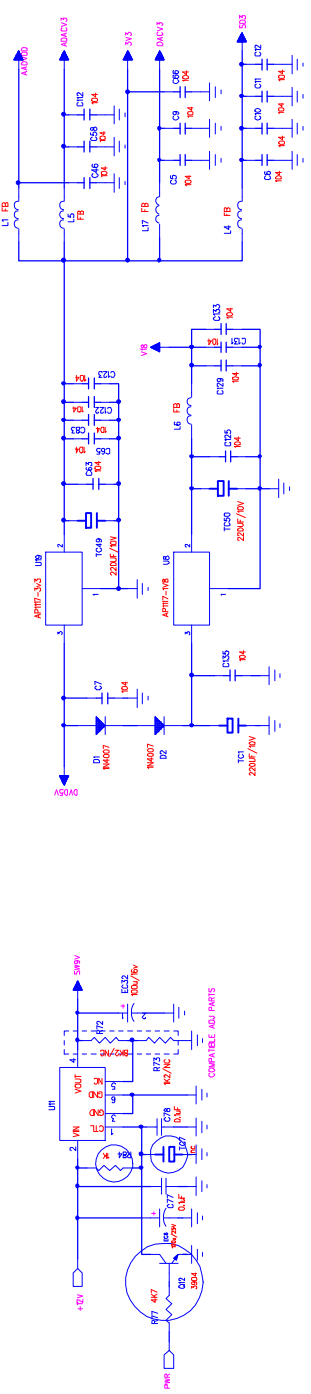
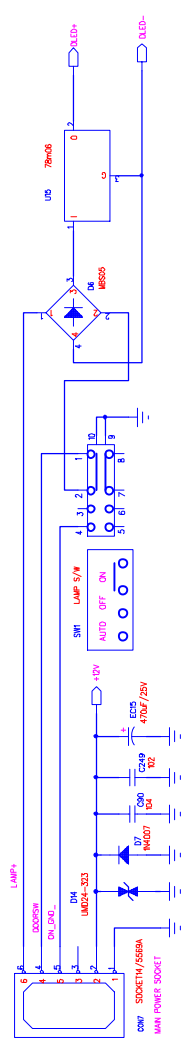
**RESET Circuit**

**DEBUG**

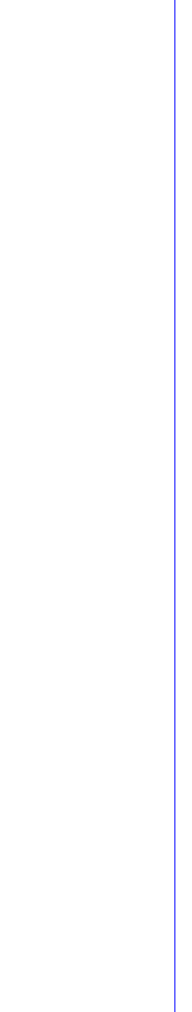
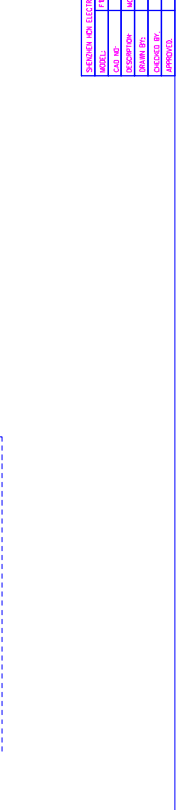
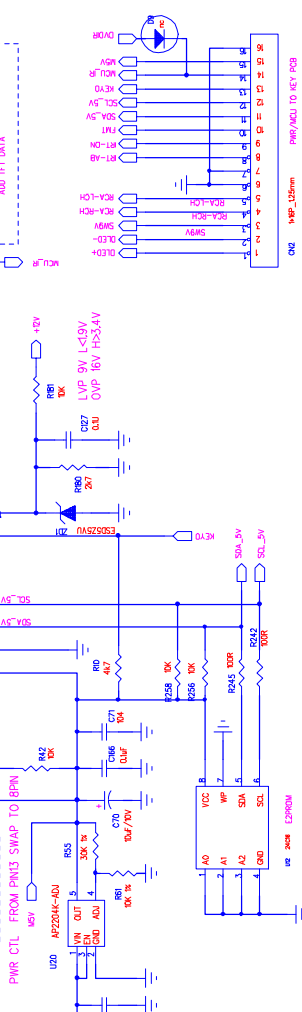
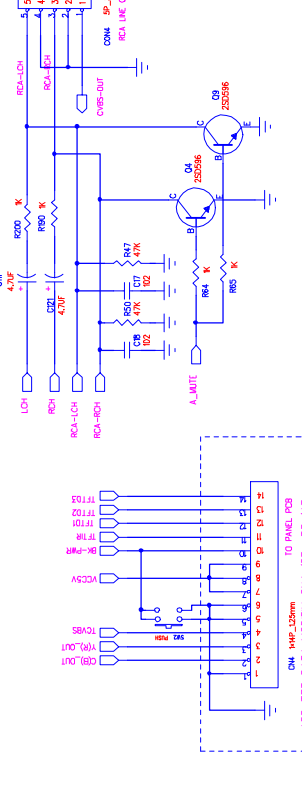
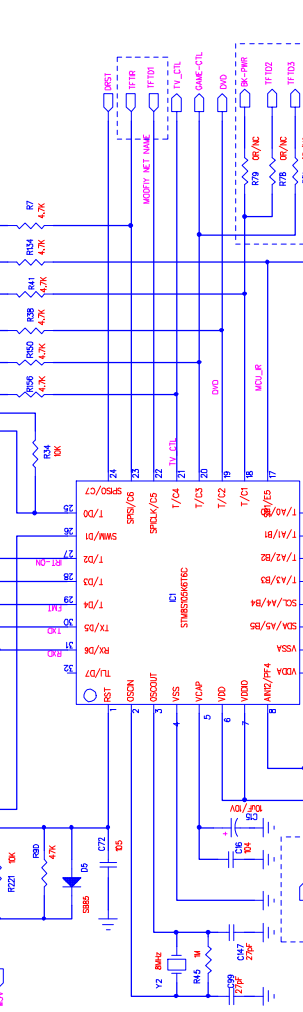
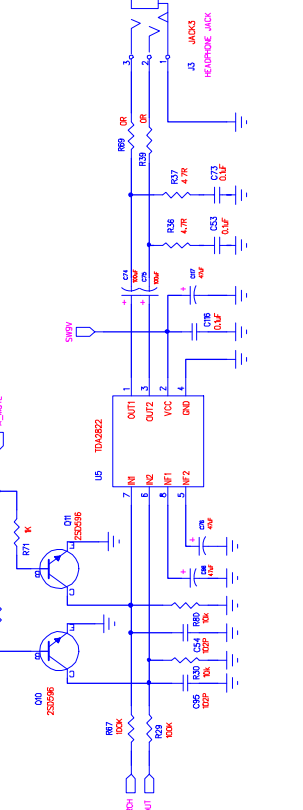
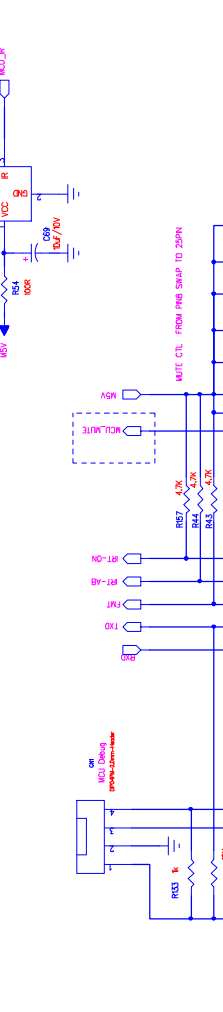
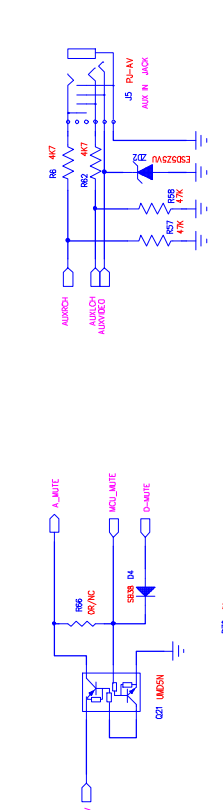
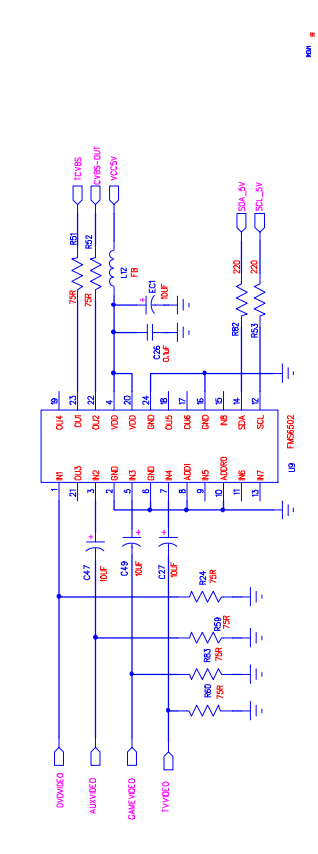
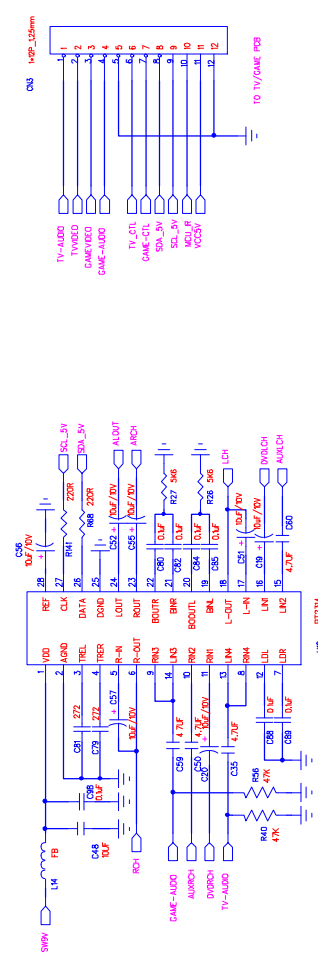
MODEL:	F101
DRAWN BY:	
CHECKED BY:	
DATE:	
DATE:	

COM4	PW09PMX1-A
GAM+9V	
DT_STVD	
R7/DT_OEV	
HS/DT_OKV	
VS/DT_STVU	
EDGS	
VCC	
V9	
VGL	
V2	
VGH	
V6	
UD	
RA/DT_UD	
TFT3V3	
VCOM	
AVDD	
V14	
V11	
V8	
V5	
V3	
R0	
R1	
R2	
R3	
R4	
R5	
CON7	PH09PMX1-B
G0	
G1	
G2	
G3	
G4	
G5	
G6	
G7	
G8	
STHL	
REV	
GND	
CLK	
VCC	
STHR	
LD_OH	
B5	
B4	
B3	
B2	
B1	
B0	
R/L	
V1	
V4	
V7	
V10	
V12	
V13	
V15	
V16	
V17	
V18	
V19	
V20	
V21	
V22	
V23	
V24	
V25	
V26	
V27	
V28	
V29	
V30	
VCOM	

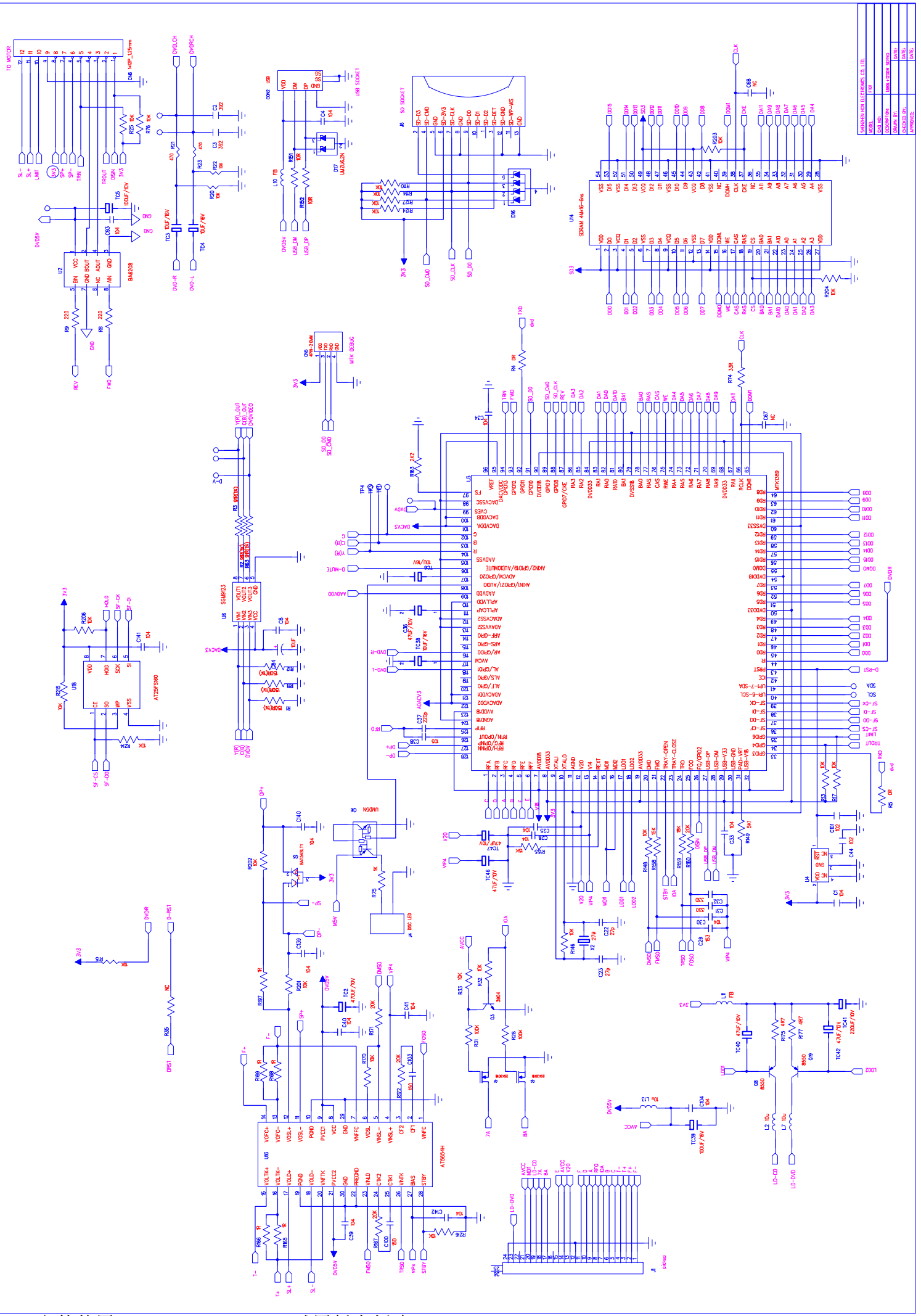


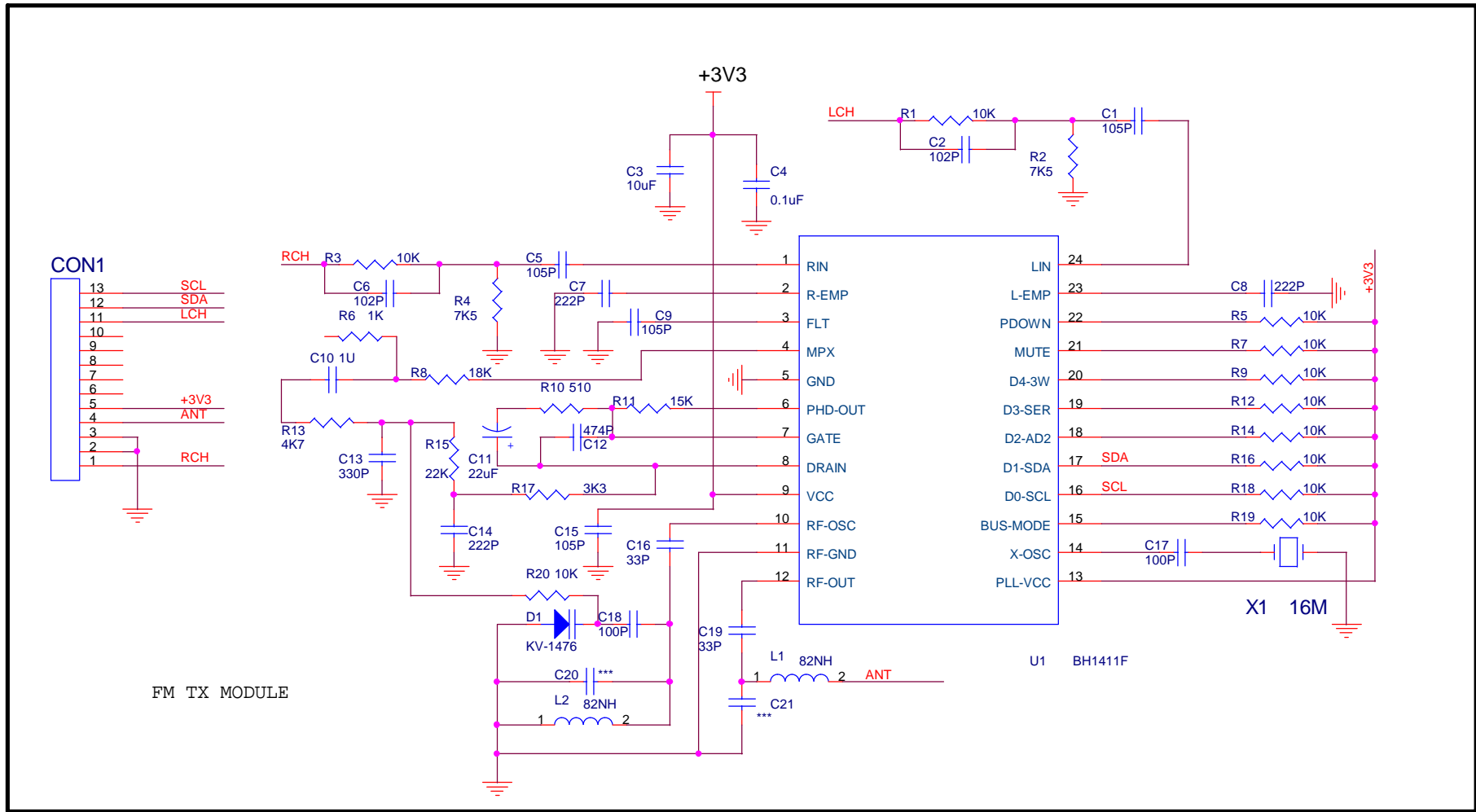


DESIGNED BY	ELECTRONICS CO. LTD.
MODEL	FT1
DATE	2024/10/10
DESIGNED BY	DESIGNED BY
DATE	DATE
APPROVED BY	APPROVED BY



REVISED BY	DATE
DESIGNED BY	DATE
CHECKED BY	DATE
APPROVED BY	DATE
DOCUMENT NO.	
MODEL	FT
REVISED BY	DATE
DESIGNED BY	DATE
CHECKED BY	DATE
APPROVED BY	DATE





FM TX MODULE

SHEN ZHEN HCN ELECTRONICS.,LTD					
REV	MOD RCORD	DOCUMENT: FM TX MODULE			
3.0	2009/03/18	TITLE:			
		DRAWER:	DESIGN:	STANDARD:	APPROVED: ITEM NO:
					1 OF 1