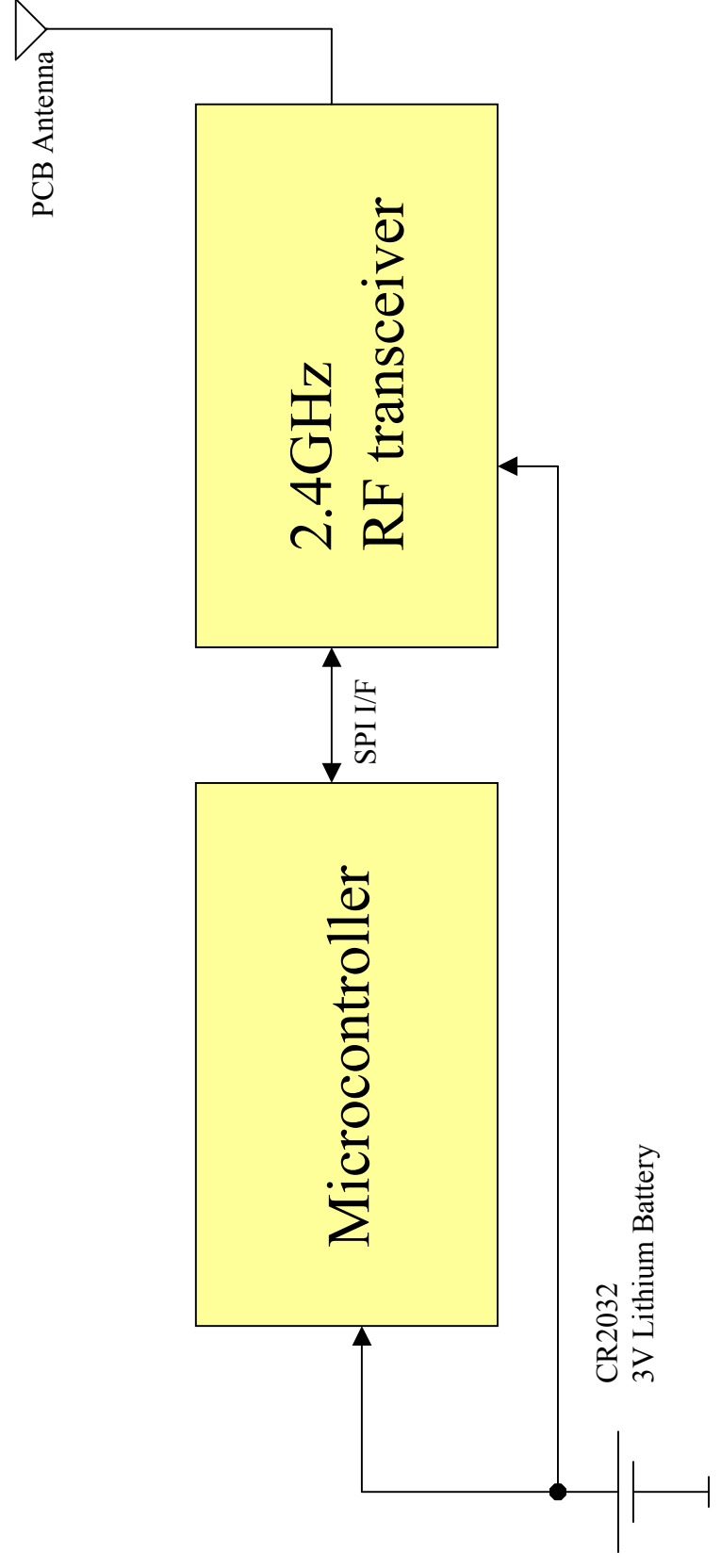


# Driver TAG Block Diagram



# Sled Unit Block Diagram

