



# FCC REPORT

**Report Reference No.**..... : **TRE1409010202** R/C.....: 59682  
**FCC ID**..... : **XKK-CAM430**  
**Applicant's name**..... : **Sakar Internation Inc.**  
 Address.....: 195 Carter Drive, Edison, NJ 08817 U.S.A  
 Manufacturer.....: Sakar Internation Inc.  
 Address.....: 195 Carter Drive, Edison, NJ 08817 U.S.A  
**Test item description** ..... : **Mobile Internet Devices**  
 Trade Mark .....: /  
 Model/Type reference.....: CAM430  
 Listed Model(s) .....: /  
**Standard** ..... : **47 CFR FCC Part 15 Subpart B - Unintentional Radiators**  
**ANSI C63.4: 2009**  
 Date of receipt of test sample.....: Sept 19, 2014  
 Date of testing.....: Sept 20~ Sept 23, 2014  
 Date of issue.....: Sept 23, 2014  
**Result**.....: **Pass**

Compiled by  
 ( position+printed name+signature)..: File administrators Any Yang

*Any Yang*

Supervised by  
 ( position+printed name+signature)..: Project Engineer Lion Cai

*Lion Cai*

Approved by  
 ( position+printed name+signature)..: RF Manager Hans Hu

*Hans Hu*

**Testing Laboratory Name** ..... : **Shenzhen Huatongwei International Inspection Co., Ltd**  
 Address.....: Keji Nan No.12 Road, Hi-tech Park, Shenzhen, China

**Shenzhen Huatongwei International Inspection Co., Ltd. All rights reserved.**

This publication may be reproduced in whole or in part for non-commercial purposes as long as the Shenzhen Huatongwei International Inspection Co., Ltd is acknowledged as copyright owner and source of the material. Shenzhen Huatongwei International Inspection Co., Ltd takes no responsibility for and will not assume liability for damages resulting from the reader's interpretation of the reproduced material due to its placement and context.

## Contents

<b>1.</b>	<b><u>TEST STANDARDS AND TEST DESCRIPTION .....</u></b>	<b><u>3</u></b>
1.1.	Test Standards	3
<b>2.</b>	<b><u>SUMMARY .....</u></b>	<b><u>4</u></b>
2.1.	Client Information	4
2.2.	Product Description	4
2.3.	EUT operation mode	4
2.4.	EUT configuration	4
2.5.	Configuration of Tested System	5
<b>3.</b>	<b><u>TEST ENVIRONMENT .....</u></b>	<b><u>6</u></b>
3.1.	Address of the test laboratory	6
3.2.	Test Facility	6
3.3.	Environmental conditions	7
3.4.	Statement of the measurement uncertainty	7
3.5.	Equipments Used during the Test	7
<b>4.</b>	<b><u>TEST CONDITIONS AND RESULTS .....</u></b>	<b><u>8</u></b>
4.1.	Conducted Emissions Test	8
4.2.	Radiated Emission Test	11
<b>5.</b>	<b><u>TEST SETUP PHOTOS OF THE EUT .....</u></b>	<b><u>15</u></b>
<b>6.</b>	<b><u>EXTERNAL AND INTERNAL PHOTOS OF THE EUT .....</u></b>	<b><u>16</u></b>

# **1 . TEST STANDARDS AND TEST DESCRIPTION**

## **1.1. Test Standards**

The tests were performed according to following standards:

[47 CFR FCC Part 15 Subpart B](#) - Unintentional Radiators

[ANSI C63.4: 2009](#) – American National Standard for Methods of Measurement of Radio-Noise Emissions from Low-Voltage Electrical and Electronic Equipment in the Range of 9 kHz to 40GHz

## 2. SUMMARY

### 2.1. Client Information

Applicant:	Sakar Internation Inc.
Address:	195 Carter Drive, Edison, NJ 08817 U.S.A
Manufacturer:	Sakar Internation Inc.
Address:	195 Carter Drive, Edison, NJ 08817 U.S.A

### 2.2. Product Description

Name of EUT	Mobile Internet Devices
Trade Mark:	/
Model No.:	CAM430
Listed Model(s):	/
Power supply:	DC 3.7V From Internal Battery
Adapter information:	Model No.:WLC050150UU Input: AC 100~240V, 50/60Hz, 0.3A Output: DC 5.0V 1.5A

### 2.3. EUT operation mode

The EUT has been tested under typical operating condition.

### 2.4. EUT configuration

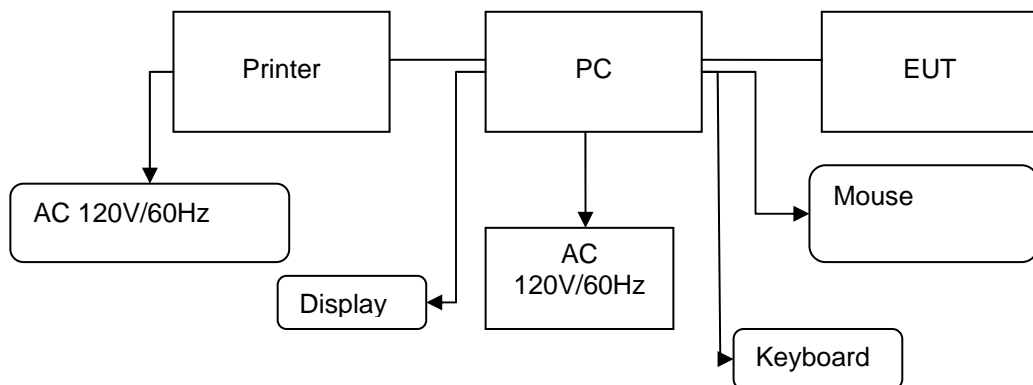
The following peripheral devices and interface cables were connected during the measurement:

- supplied by the manufacturer
- supplied by the lab

<input type="radio"/>	Power Cable	Length (m) :	/
		Shield :	/
		Detachable :	/
<input type="radio"/>	Multimeter	Manufacturer :	/
		Model No. :	/

## 2.5. Configuration of Tested System

Configuration of Tested System



Equipment Used in Tested System

No.	Equipment	Manufacturer	Model No.	Serial No.	Length	shielded/unshielded	Notes
1	PC	DELL	DIMENSION E520	1RNN42X	/	/	DOC
2	Printer	ESPON	C3990	C3990A	/	/	DOC
3	Mouse	DELL	MO56U OA	G0E02SY7	1.00m	unshielded	DOC
4	Display	DELL	1707FPt	CN-OFC237-71618-65G-AAKC	/	/	DOC
5	Keyboard	DELL	L100	CNRH65665890726009L	/	/	DOC
6	USB Cable (EUT to PC)	ITALCOM GROUP	USB 2.0	N/A	0.80m	unshielded	N/A
7	USB Cable (Printer to PC)	Genshuo	USB 2.0	N/A	1.20m	unshielded	N/A
8	Power line	/	/	N/A	1.00m	unshielded	N/A

### **3 . TEST ENVIRONMENT**

#### **3.1. Address of the test laboratory**

Shenzhen Huatongwei International Inspection Co., Ltd.  
Keji Nan No.12 Road, Hi-tech Park, Shenzhen, China  
Phone: 86-755-26748019 Fax: 86-755-26748089

#### **3.2. Test Facility**

The test facility is recognized, certified, or accredited by the following organizations:

##### **CNAS-Lab Code: L1225**

Shenzhen Huatongwei International Inspection Co., Ltd. has been assessed and proved to be in compliance with CNAS-CL01 Accreditation Criteria for Testing and Calibration Laboratories (identical to ISO/IEC 17025: 2005 General Requirements) for the Competence of Testing and Calibration Laboratories, Date of Registration: Mar. 01, 2012. Valid time is until February 28, 2015.

##### **A2LA-Lab Cert. No. 2243.01**

Shenzhen Huatongwei International Inspection Co., Ltd. EMC Laboratory has been accredited by A2LA for technical competence in the field of electrical testing, and proved to be in compliance with ISO/IEC 17025: 2005 General Requirements for the Competence of Testing and Calibration Laboratories and any additional program requirements in the identified field of testing. Valid time is until Sept 30, 2015.

##### **FCC-Registration No.: 662850**

Shenzhen Huatongwei International Inspection Co., Ltd. EMC Laboratory has been registered and fully described in a report filed with the FCC (Federal Communications Commission). The acceptance letter from the FCC is maintained in our files. Registration 662850, Renewal date Jul. 01, 2012, valid time is until Jun. 01, 2015.

##### **IC-Registration No.: 5377A**

The 3m Alternate Test Site of Shenzhen Huatongwei International Inspection Co., Ltd. has been registered by Certification and Engineering Bureau of Industry Canada for the performance of radiated measurements with Registration No. 5377A on Dec. 31, 2013, valid time is until Dec. 31, 2016.

##### **ACA**

Shenzhen Huatongwei International Inspection Co., Ltd. EMC Laboratory can also perform testing for the Australian C-Tick mark as a result of our A2LA accreditation.

##### **VCCI**

The 3m Semi-anechoic chamber (12.2m×7.95m×6.7m) of Shenzhen Huatongwei International Inspection Co., Ltd. has been registered in accordance with the Regulations for Voluntary Control Measures with Registration No.:R-2484. Date of Registration: Dec. 20, 2012. Valid time is until Dec. 29, 2015.

Radiated disturbance above 1GHz measurement of Shenzhen Huatongwei International Inspection Co., Ltd. has been registered in accordance with the Regulations for Voluntary Control Measures with Registration No.: G-292. Date of Registration: Dec. 24, 2013. Valid time is until Dec. 23, 2016.

Main Ports Conducted Interference Measurement of Shenzhen Huatongwei International Inspection Co., Ltd. has been registered in accordance with the Regulations for Voluntary Control Measures with Registration No.: C-2726. Date of Registration: Dec. 20, 2012. Valid time is until Dec. 19, 2015.

Telecommunication Ports Conducted Interference Measurement of Shenzhen Huatongwei International Inspection Co., Ltd. has been registered in accordance with the Regulations for Voluntary Control Measures with Registration No.: T-1837. Date of Registration: May 07, 2013. Valid time is until May 06, 2016.

##### **DNV**

Shenzhen Huatongwei International Inspection Co., Ltd. has been found to comply with the requirements of DNV towards subcontractor of EMC and safety testing services in conjunction with the EMC and Low voltage Directives and in the voluntary field. The acceptance is based on a formal quality Audit and follow-ups according to relevant parts of ISO/IEC Guide 17025 (2005), in accordance with the requirements of the DNV Laboratory Quality Manual towards subcontractors. Valid time is until Aug. 24, 2016.

### 3.3. Environmental conditions

During the measurement the environmental conditions were within the listed ranges:

Temperature:	<u>15-35 ° C</u>
Humidity:	<u>30-60 %</u>
Atmospheric pressure:	<u>950-1050mbar</u>

### 3.4. Statement of the measurement uncertainty

The data and results referenced in this document are true and accurate. The reader is cautioned that there may be errors within the calibration limits of the equipment and facilities. The measurement uncertainty was calculated for all measurements listed in this test report acc. to CISPR 16 - 4 „Specification for radio disturbance and immunity measuring apparatus and methods – Part 4: Uncertainty in EMC Measurements“ and is documented in the Shenzhen Huatongwei International Inspection Co., Ltd quality system acc. to DIN EN ISO/IEC 17025. Furthermore, component and process variability of devices similar to that tested may result in additional deviation. The manufacturer has the sole responsibility of continued compliance of the device.

Hereafter the best measurement capability for Shenzhen Huatongwei laboratory is reported:

Test	Range	Measurement Uncertainty	Notes
Radiated Emission	30~1000MHz	4.24 dB	(1)
Radiated Emission	1~18GHz	5.16 dB	(1)
Radiated Emission	18-40GHz	5.54 dB	(1)
Conducted Disturbance	0.15~30MHz	3.39 dB	(1)

(1) This uncertainty represents an expanded uncertainty expressed at approximately the 95% confidence level using a coverage factor of k=2.

### 3.5. Equipments Used during the Test

Conducted Emission					
Item	Test Equipment	Manufacturer	Model No.	Serial No.	Cal.Due
1	EMI TEST RECEIVER	Rohde & Schwarz	ESCI	100106	2014/10/25
2	ARTIFICIAL MAINS	Rohde & Schwarz	ESH2-Z5	100028	2014/10/25
3	PULSE LIMITER	Rohde & Schwarz	ESHSZ2	100044	2014/10/25
4	EMI TEST SOFTWARE	Rohde & Schwarz	ES-K1	N/A	N/A

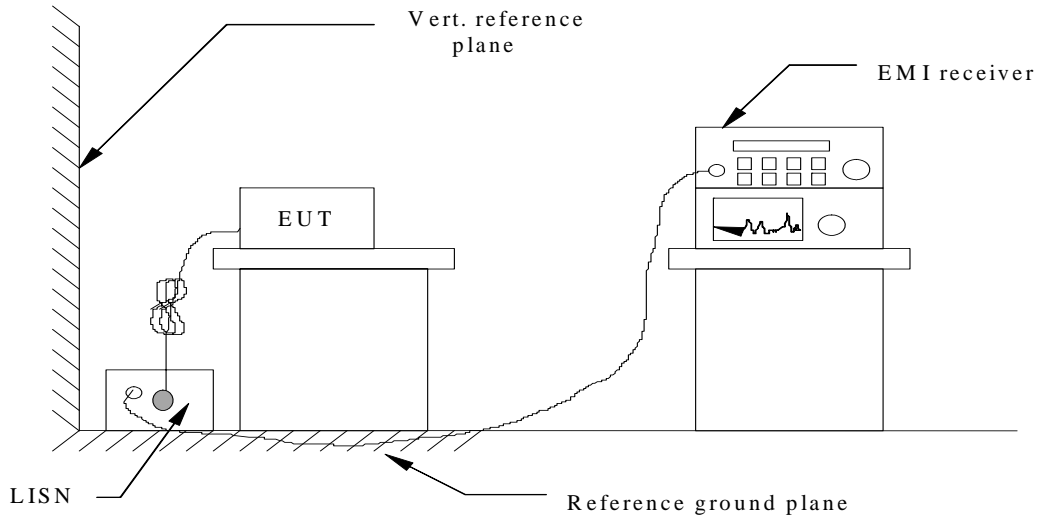
Radiated Emission					
Item	Test Equipment	Manufacturer	Model No.	Serial No.	Cal.Due
1	ULTRA-BROADBAND ANTENNA	ShwarzBeck	VULB9163	538	2014/10/25
2	EMI TEST RECEIVER	Rohde & Schwarz	ESI 26	100009	2014/10/25
3	EMI TEST Software	Audix	E3	N/A	N/A
4	TURNTABLE	MATURO	TT2.0	----	N/A
5	ANTENNA MAST	MATURO	TAM-4.0-P	----	N/A
6	EMI TEST Software	Rohde & Schwarz	ESK1	N/A	N/A
7	ULTRA-BROADBAND ANTENNA	Rohde&Schwarz	HL562	100015	2014/10/25
8	Amplifer	Sonoma	310N	E009-13	2014/10/25
9	JS amplifer	Rohde & Schwarz	JS4-00101800-28-5A	F201504	2014/10/25
11	TURNTABLE	ETS	2088	2149	N/A
12	ANTENNA MAST	ETS	2075	2346	N/A
13	HORN ANTENNA	Rohde&Schwarz	HF906	100039	2014/10/25

The calibration interval was one year.

## 4. TEST CONDITIONS AND RESULTS

### 4.1. Conducted Emissions Test

#### TEST CONFIGURATION



#### TEST PROCEDURE

1. The equipment was set up as per the test configuration to simulate typical actual usage per the user's manual. The EUT is a tabletop system; a wooden table with a height of 0.8 meters is used and is placed on the ground plane as per ANSI C63.4-2009.
2. Support equipment, if needed, was placed as per ANSI C63.4-2009.
3. All I/O cables were positioned to simulate typical actual usage as per ANSI C63.4-2009.
4. The EUT received DC 5.0 from USB powered from AC120V/60Hz power through a Line Impedance Stabilization Network (LISN) which supplied power source and was grounded to the ground plane.
5. All support equipments received AC power from a second LISN, if any.
6. The EUT test program was started. Emissions were measured on each current carrying line of the EUT using a spectrum Analyzer / Receiver connected to the LISN powering the EUT. The LISN has two monitoring points: Line 1 (Hot Side) and Line 2 (Neutral Side). Two scans were taken: one with Line 1 connected to Analyzer / Receiver and Line 2 connected to a 50 ohm load; the second scan had Line 1 connected to a 50 ohm load and Line 2 connected to the Analyzer / Receiver.
7. Analyzer / Receiver scanned from 150 KHz to 30MHz for emissions in each of the test modes.
8. During the above scans, the emissions were maximized by cable manipulation.

#### CONDUCTED POWER LINE EMISSION LIMIT

For unintentional device, according to § 15.107(a) Line Conducted Emission Limits is as following :

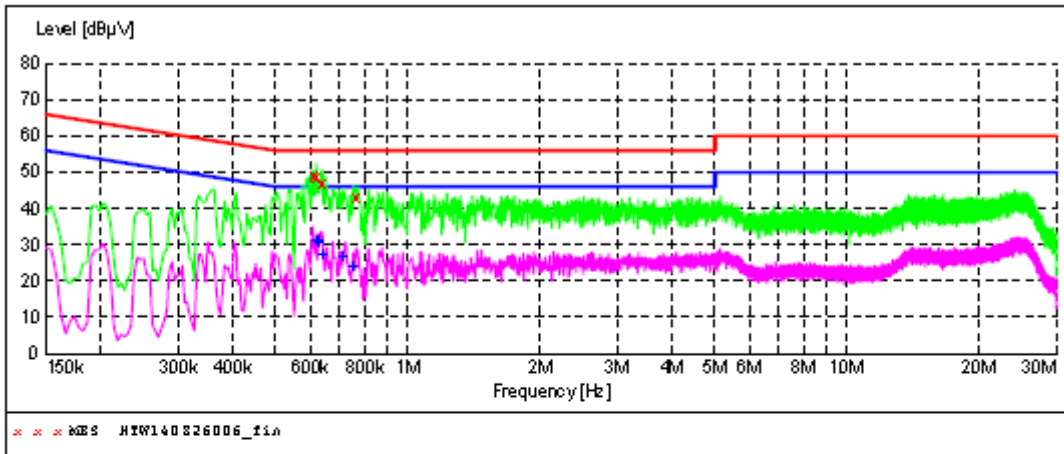
Frequency (MHz)	Maximum RF Line Voltage (dBµV)			
	CLASS A		CLASS B	
	Q.P.	Ave.	Q.P.	Ave.
0.15 - 0.50	79	66	66-56*	56-46*
0.50 - 5.00	73	60	56	46
5.00 - 30.0	73	60	60	50

\* Decreasing linearly with the logarithm of the frequency

#### TEST RESULTS



**SCAN TABLE: "Voltage (9K-30M)FIN"**  
 Short Description: 150K-30M Voltage



**MEASUREMENT RESULT: "HW140826006\_fir"**

8/26/2014 2:40PM

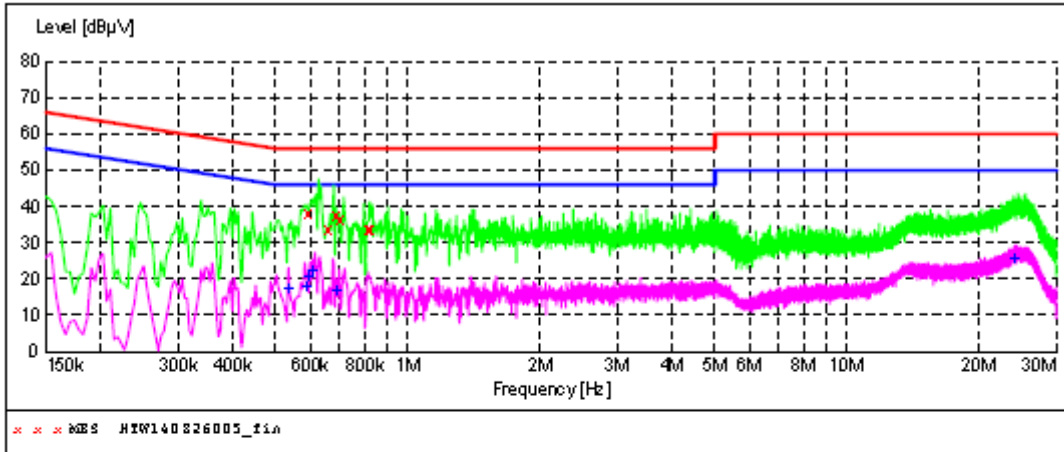
Frequency MHz	Level dBµV	Transd dB	Limit dBµV	Margin dB	Detector	Line	PE
0.614000	48.90	9.9	56	7.1	QP	L1	GND
0.618000	48.80	9.9	56	7.2	QP	L1	GND
0.634000	46.80	9.9	56	9.2	QP	L1	GND
0.766000	42.90	9.9	56	13.1	QP	L1	GND

**MEASUREMENT RESULT: "HW140826006\_fir2"**

8/26/2014 2:40PM

Frequency MHz	Level dBµV	Transd dB	Limit dBµV	Margin dB	Detector	Line	PE
0.622000	31.60	9.9	46	14.4	AV	L1	GND
0.626000	31.50	9.9	46	14.5	AV	L1	GND
0.630000	31.00	9.9	46	15.0	AV	L1	GND
0.642000	27.50	9.9	46	18.5	AV	L1	GND
0.710000	27.00	9.9	46	19.0	AV	L1	GND
0.750000	24.40	9.9	46	21.6	AV	L1	GND

**SCAN TABLE: "Voltage (9K-30M)FIN"**  
 Short Description: 150K-30M Voltage



**MEASUREMENT RESULT: "HW140826005\_fin"**

8/26/2014 2:37PM

Frequency MHz	Level dBµV	Transd dB	Limit dBµV	Margin dB	Detector	Line	PE
0.594000	38.00	9.9	56	18.0	QP	N	GND
0.658000	33.60	9.9	56	22.4	QP	N	GND
0.686000	37.30	9.9	56	18.7	QP	N	GND
0.702000	36.30	9.9	56	19.7	QP	N	GND
0.814000	33.80	9.9	56	22.2	QP	N	GND
0.818000	33.80	10.0	56	22.2	QP	N	GND

**MEASUREMENT RESULT: "HW140826005\_fin2"**

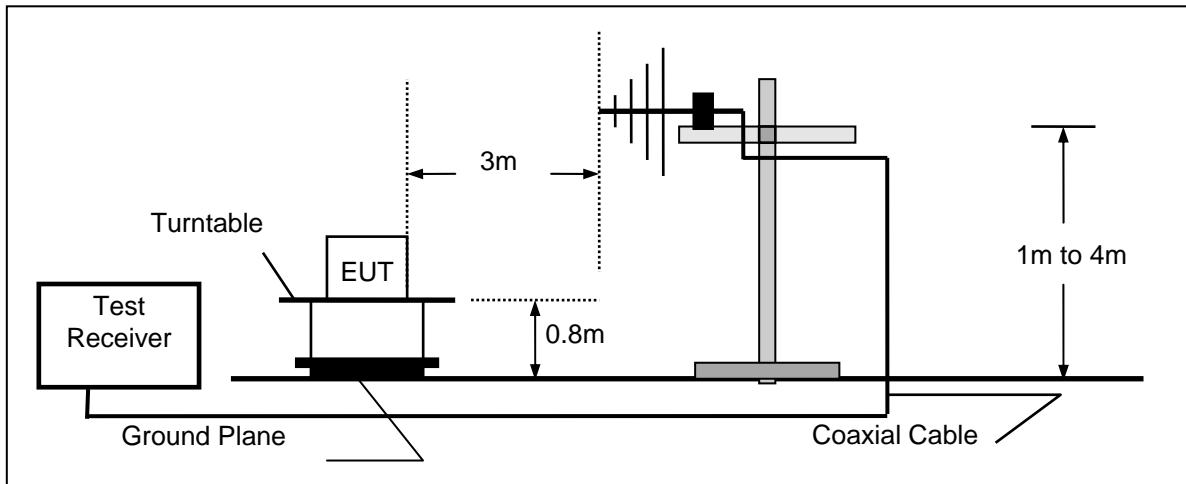
8/26/2014 2:37PM

Frequency MHz	Level dBµV	Transd dB	Limit dBµV	Margin dB	Detector	Line	PE
0.534000	17.90	9.9	46	28.1	AV	N	GND
0.586000	18.30	9.9	46	27.7	AV	N	GND
0.598000	20.80	9.9	46	25.2	AV	N	GND
0.606000	22.90	9.9	46	23.1	AV	N	GND
0.686000	17.30	9.9	46	28.7	AV	N	GND
24.018000	26.20	10.7	50	23.8	AV	N	GND

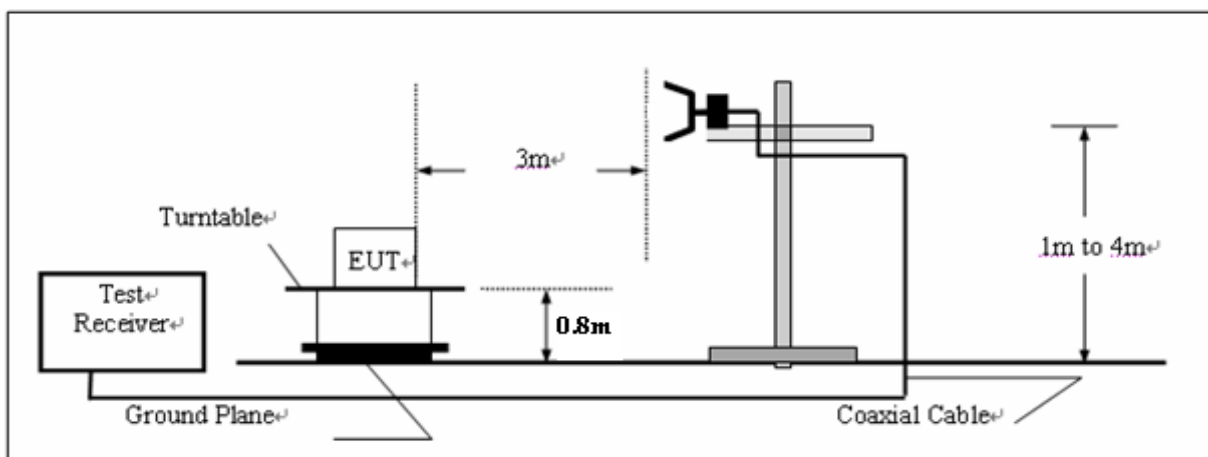
## 4.2. Radiated Emission Test

### TEST CONFIGURATION

- a) Radiated Emission Test Set-Up, Frequency below 1000MHz



- b) Radiated Emission Test Set-Up, Frequency above 1000MHz



### TEST PROCEDURE

1. The EUT is placed on a turntable, which is 0.8m above ground plane.
2. The turntable shall be rotated for 360 degrees to determine the position of maximum emission level.
3. EUT is set 3m away from the receiving antenna, which is varied from 1m to 4m to find out the highest emissions.
4. Maximum procedure was performed on the six highest emissions to ensure EUT compliance.
5. And also, each emission was to be maximized by changing the polarization of receiving antenna both horizontal and vertical.
6. Repeat above procedures until the measurements for all frequencies are complete.
7. The maximum operation frequency was 512MHz, the radiated emission test frequency from 30MHz to 18GHz.

**FIELD STRENGTH CALCULATION**

The field strength is calculated by adding the Antenna Factor and Cable Factor and subtracting the Amplifier Gain and Duty Cycle Correction Factor (if any) from the measured reading. The basic equation with a sample calculation is as follows:

**FS = RA + AF + CL - AG**

Where FS = Field Strength	CL = Cable Attenuation Factor (Cable Loss)
RA = Reading Amplitude	AG = Amplifier Gain
AF = Antenna Factor	

For example

Frequency (MHz)	FS (dBµV/m)	RA (dBµV/m)	AF (dB)	CL (dB)	AG (dB)	Transd (dB)
300.00	40	58.1	12.2	1.6	31.90	-18.1

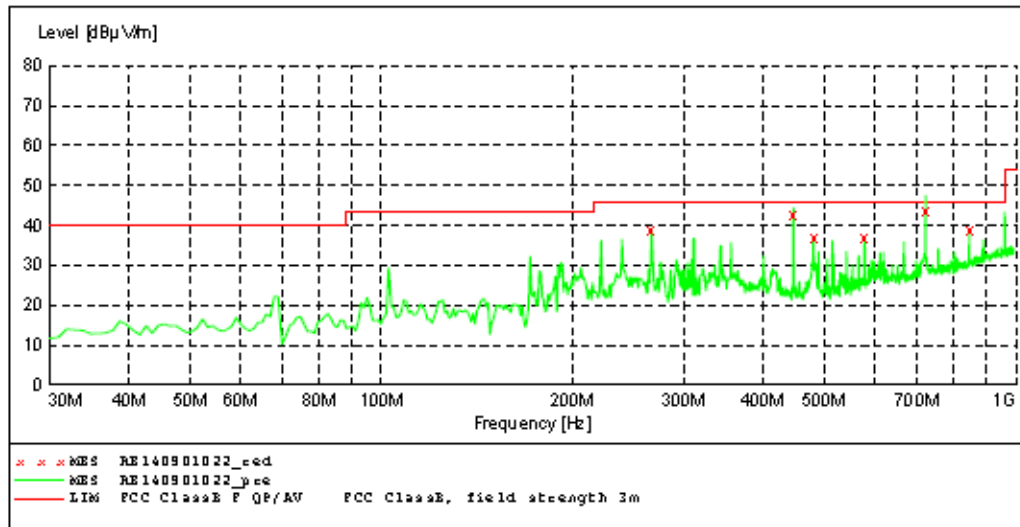
Transd=AF +CL-AG

**RADIATION LIMIT**

For unintentional device, according to § 15.109(a), except for Class A digital devices, the field strength of radiated emissions from unintentional radiators at a distance of 3 meters shall not exceed the following values:

Frequency (MHz)	Distance (Meters)	Radiated (dBµV/m)	Radiated (µV/m)
30-88	3	40.0	100
88-216	3	43.5	150
216-960	3	46.0	200
Above 960	3	54.0	500

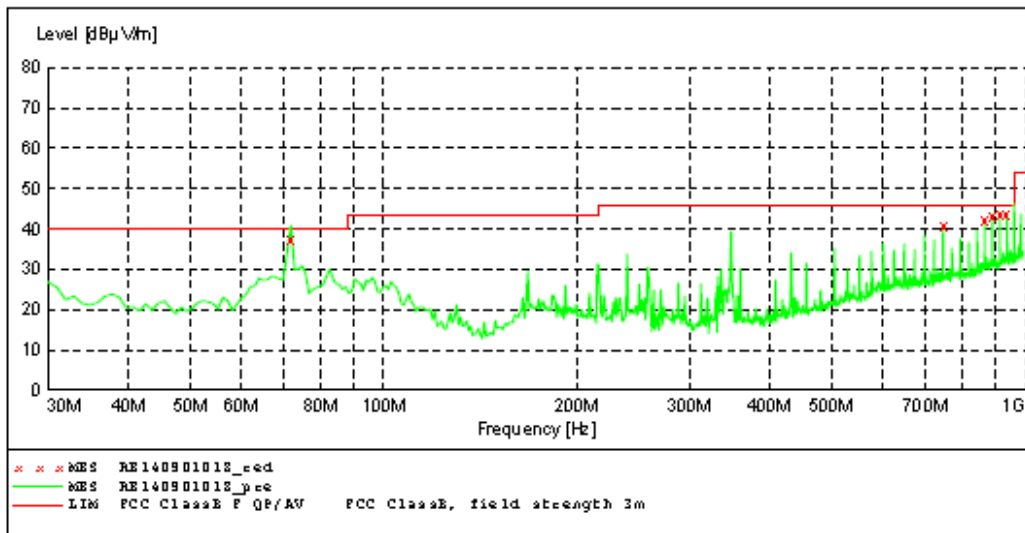
**TEST RESULTS**



**MEASUREMENT RESULT: "RE140901022\_red"**

9/3/2014 5:38PM

Frequency MHz	Level dBµV/m	Transd dB	Limit dBµV/m	Margin dB	Det.	Height cm	Azimuth deg	Polarization
266.680000	38.80	-15.3	46.0	7.2	QP	100.0	41.00	HORIZONTAL
446.130000	42.40	-9.2	46.0	3.6	QP	100.0	328.00	HORIZONTAL
480.080000	37.20	-8.0	46.0	8.8	QP	100.0	182.00	HORIZONTAL
578.050000	37.10	-4.2	46.0	8.9	QP	100.0	300.00	HORIZONTAL
720.640000	43.50	-1.2	46.0	-1.2	QP	100.0	81.00	HORIZONTAL
844.800000	39.00	1.2	46.0	7.0	QP	100.0	132.00	HORIZONTAL

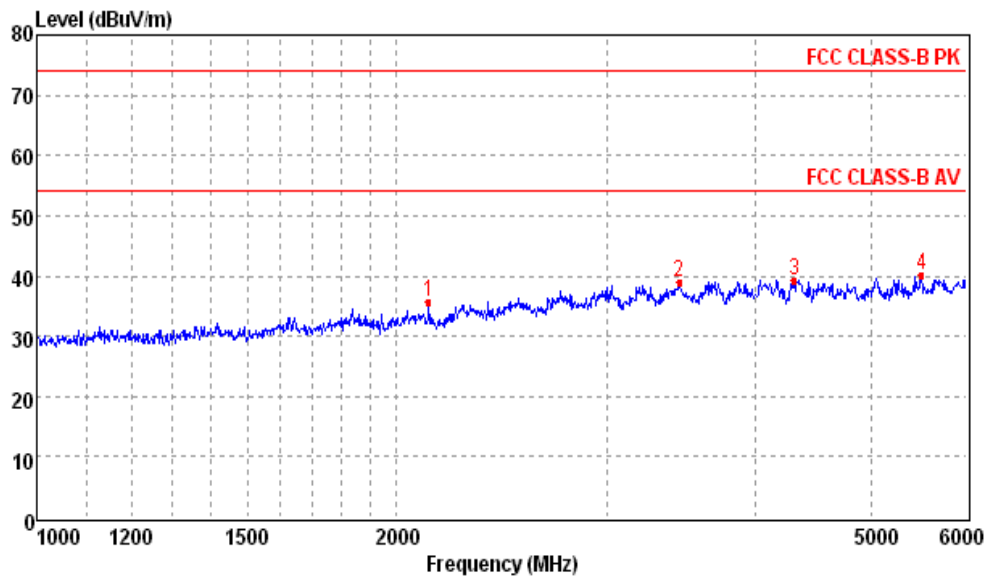


**MEASUREMENT RESULT: "RE140901018\_red"**

9/3/2014 1:46PM

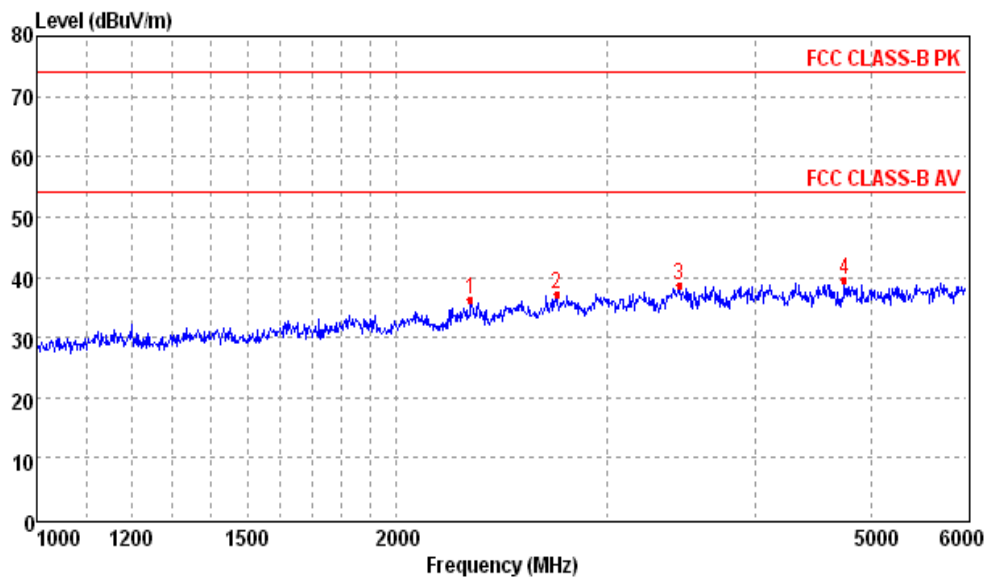
Frequency MHz	Level dBµV/m	Transd dB	Limit dBµV/m	Margin dB	Det.	Height cm	Azimuth deg	Polarization
71.710000	37.80	-19.6	40.0	2.2	QP	100.0	104.00	VERTICAL
744.890000	40.70	-0.3	46.0	5.3	QP	100.0	169.00	VERTICAL
864.200000	42.30	1.8	46.0	3.7	QP	100.0	3.00	VERTICAL
888.450000	43.80	2.3	46.0	2.2	QP	100.0	360.00	VERTICAL
912.700000	43.30	2.8	46.0	2.7	QP	100.0	358.00	VERTICAL
936.950000	43.80	3.2	46.0	2.2	QP	100.0	360.00	VERTICAL

Above 1GHz HORIZONTAL



Mark	Frequency MHz	Reading dBuV	Antenna dB	Cable dB	Preamp dB	Level dBuV/m	Limit dBuV/m	Over limit	Remark
1	2130.00	40.25	26.37	6.39	37.37	35.64	74.00	-38.36	Peak
2	3449.07	39.67	28.48	8.75	37.99	38.91	74.00	-35.09	Peak
3	4307.18	38.48	30.26	8.85	38.20	39.39	74.00	-34.61	Peak
4	5505.54	36.66	32.19	9.63	38.26	40.22	74.00	-33.78	Peak

VERTICAL



Mark	Frequency MHz	Reading dBuV	Antenna dB	Cable dB	Preamp dB	Level dBuV/m	Limit dBuV/m	Over limit	Remark
1	2308.86	40.26	26.97	6.68	37.51	36.40	74.00	-37.60	Peak
2	2722.62	39.70	27.89	7.53	37.82	37.30	74.00	-36.70	Peak
3	3449.07	39.47	28.48	8.75	37.99	38.71	74.00	-35.29	Peak
4	4744.75	37.74	31.10	9.17	38.50	39.51	74.00	-34.49	Peak

## 5. Test Setup Photos of the EUT

Conducted Emission (AC Mains)



Radiated Emission (30MHz-1GHz)



Radiated Emission (Above1GHz)



## **6. External and Internal Photos of the EUT**

Reference to the test report No. TRE1409010201

.....End of Report.....