

# Part No. M830520

## WiFi 802.11 a/b/g Savvi™ Ceramic Antennas

2.4 ~ 2.5 GHz and 4.9 ~ 5.8GHz



Ethertronics' Savvi series of Isolated Magnetic Dipole™ (IMD) antennas deliver on the key needs of device designers for higher functionality and performance in smaller/thinner designs. These innovative antennas provide compelling advantages for 2.4GHz and 5.8GHz enabled handheld devices, media players and other mobile devices.

### Real-World Performance and Implementation

Ceramic antennas may look alike on the outside, but the important difference is inside. Other antennas may contain simple PiFA or monopole designs that interact with their surroundings, complicating layout or changing performance with use position. Ethertronics' antennas utilize patented IMD technology to deliver a unique size and performance combination.

### Savvi™ Ceramic Antennas WiFi 802.11 a/b/g

2.4~2.5GHz and 4.9~5.8GHz

### Greater Flexibility

Ethertronics' first-in-class IMD technology enables you to develop concept designs that are more advanced and that deliver superior performance in reception critical applications.

### KEY BENEFITS

#### Stay-in-Tune

IMD antenna technology provides superior RF field containment, resulting in less interaction with surrounding components.

#### Quicker Time-to-Market

By optimizing antenna size, performance and emissions, customer and regulatory specifications are more easily met.

#### Reliability

Fully compliant with the European RoHS Directive 2011/65/EU.

### APPLICATIONS

- Embedded design
- Cellular, Headsets, Tablets
- Gateway, Access Point
- M2M, Industrial devices
- Handheld

### Electrical Specifications

Typical Characteristics, on 40x80mm PCB

	2.4 - 2.5 GHz (b/g)	4.9 – 5.8 GHz (a)
Peak Gain	1.1 dBi	3.2 dBi
Average Efficiency	54%	69%
VSWR Match	2.6:1 max	3.0:1 max
Feed Point Impedance	50 ohms unbalanced	
Polarization	Linear	
Power Handling	0.5 Watt CW	

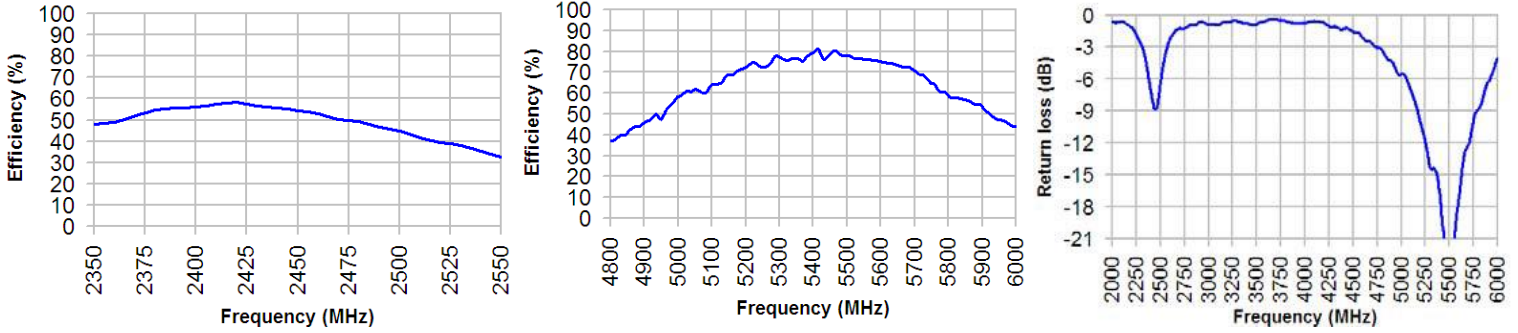
### Mechanical Specifications

Size	8.00 x 3.00 x 1.38 mm
Mounting	Surface mount
Weight	0.1 g
Packaging	M830520: 1,000 pieces per reel
- Tape & Reel	M830520-4.5K: 4,500 pieces per reel

**WLAN 802.11 a/b/g Ethertronics' Savvi™ Embedded Antenna Specifications**  
 Ethertronics produces a wide variety of standard and custom antennas to meet user needs.  
 Below are the typical performances.

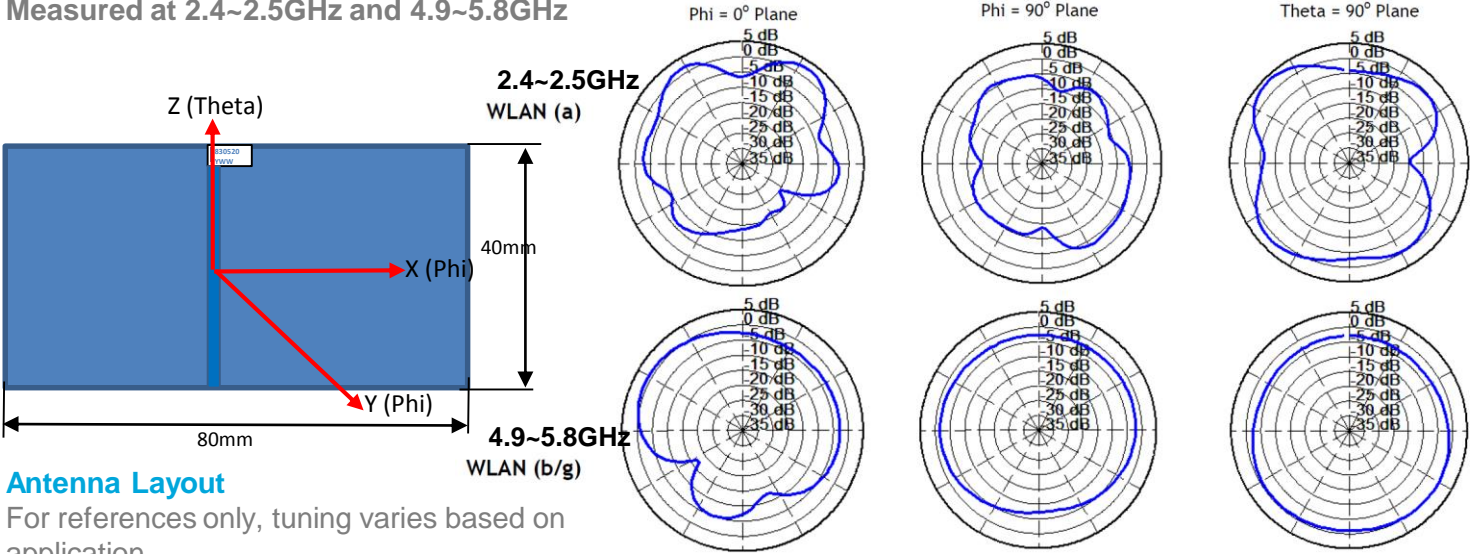
**Typical Return Loss and Efficiency Plots**

Measured on 40x80mm demo board



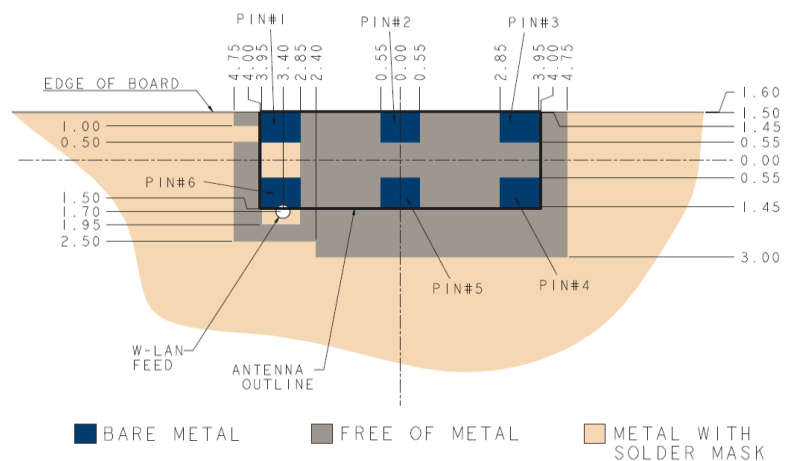
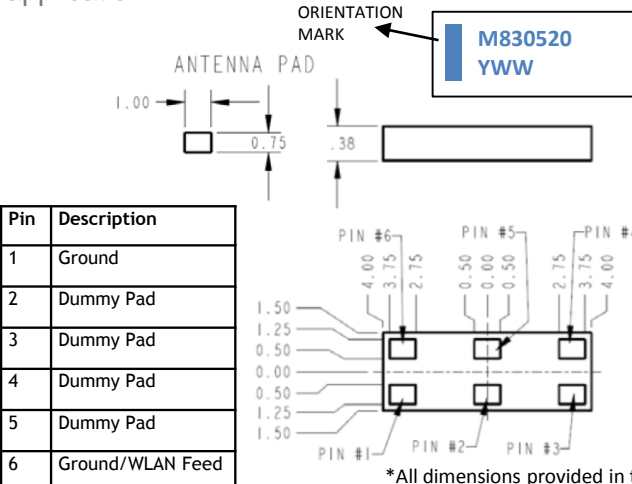
**Antenna Radiation Patterns**

Typical Performances on Ethertronics' 40x60mm PCB Test Board  
 Measured at 2.4~2.5GHz and 4.9~5.8GHz



**Antenna Layout**

For references only, tuning varies based on application



\*All dimensions provided in this document are for informational purposes only