

LCIE
Laboratoire de Moirans
Z.I. Centr'Alp
170, Rue de Chatagnon
38430 MOIRANS-FRANCE



PRODUCT LABELING

FCCID: XKB-MOV

LABEL INFO MOVE/5000

Model: Move/5000 CL/3G
Ref: TWA3510007A

MODEL: Move/5000 CL/3G

SN: 140413413000000100000111
PN: TWA3510007A
IME: XXXXXXXXXXXXXXXX
BT Adr: 0B547F5459400A



ingenico



FCC ID: XKB- MOV Contains FCC ID: N7NHL8548
IC: 2586D- MOV Contains IC: 2417C- HL8548

Made in: France Rating: 5V 1.5A XX



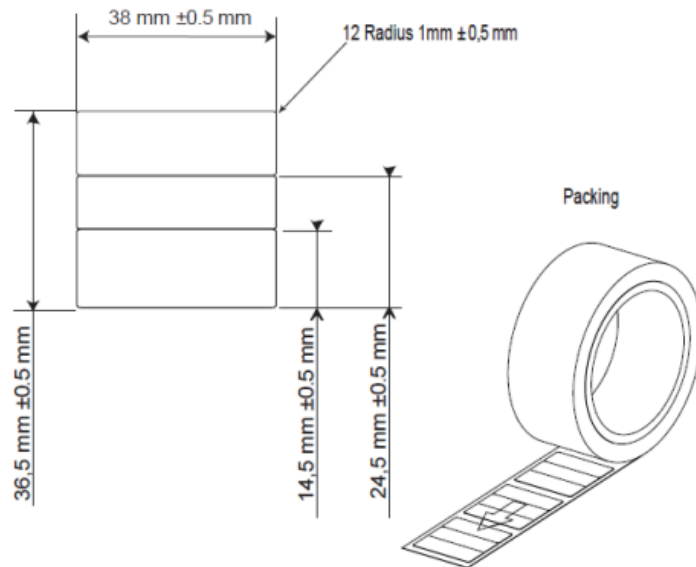
PN: TWA3510007A



SN: 140413413000000100000111



LCIE
Laboratoire de Moirans
Z.I. Centr'Alp
170, Rue de Chatagnon
38430 MOIRANS-FRANCE



Color: White RAL9010
Adhésive one side: permanent UL969 certified
Material: Vynil or Polyester, thickness 50 to 100 μm UL969 certified

MARKING : BLACK RAL 9005 must be respect UL969

