

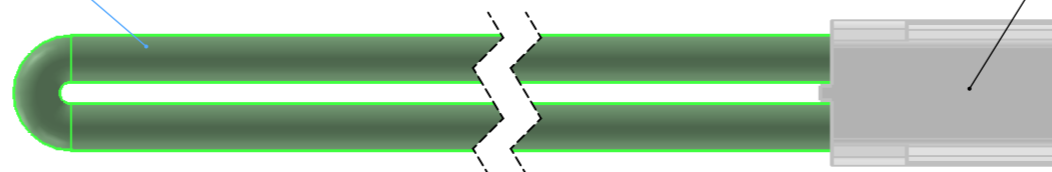
Lane/7000 CLESS ANTENNA ASSEMBLY

CABLE :

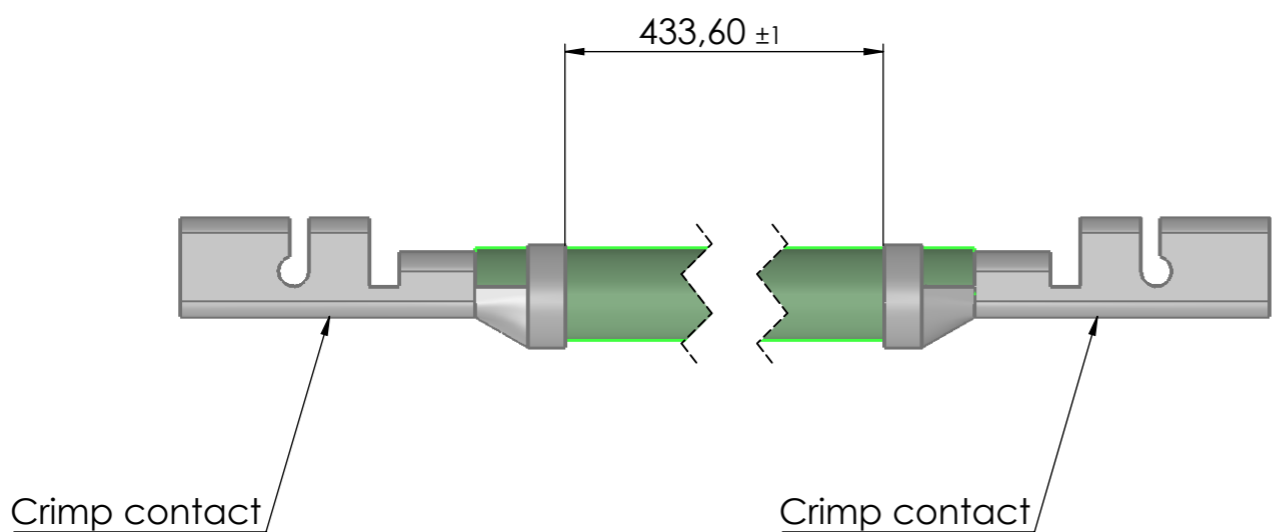
- UL 1061 AWG#24
- Colour : Green

CONNECTOR :

- JST CONNECTOR Reference or equivalent
- Housing ref : SFHR-02V-R
 - Contact ref : SSFH-001T-P0.5



CABLE + CONTACT



The 13.56MHz antenna is designed by wired. It is a loop antenna type with 2 turns of track.

The 13.56MHz resonant frequency is achieved by a RLC tuning circuit. L is the inductance of the loop antenna and R its resistance.

The 13,56MHz RF technology operates by inductive coupling (magnetic field) between two antennas. The radiated power (Electric field) is very weak because there is not a real radiated element. That's why the 13.56MHz antenna gain is very low (compared with a dipole antenna at 13,56MHz) and difficult to measure. The gain is very inferior to 1.

SCALE ECHELLE	1:1					
TITLE :						
Cless Antenna Lane/7000						
R. FAB	FORMAT	DRAWING NUMBER NUMERO DU DOCUMENT	TYPE	PART		FEUILLE