

Project name: EM08 WIFI ANT-R

Design company: Shenzhen China ZTX Technology Co.,Ltd.

Test Engineer: Wu Ming Yun

1 Noun interpretation

dBi	Decibel relative isotropic antenna
Tx	Transmit frequency
Rx	Receive frequency
TRP	Total Radiated Power
TIS	Total Isotropic Sensitivity
VSWR	Voltage Standing Wave Ratio

2 Test equipment

Vector network analyzer	Agilent 8753E
Comprehensive test instrument	Agilent 8960 E5515C
RF shielding anechoic chamber	ETS 8m*4m*4m

3 Test items

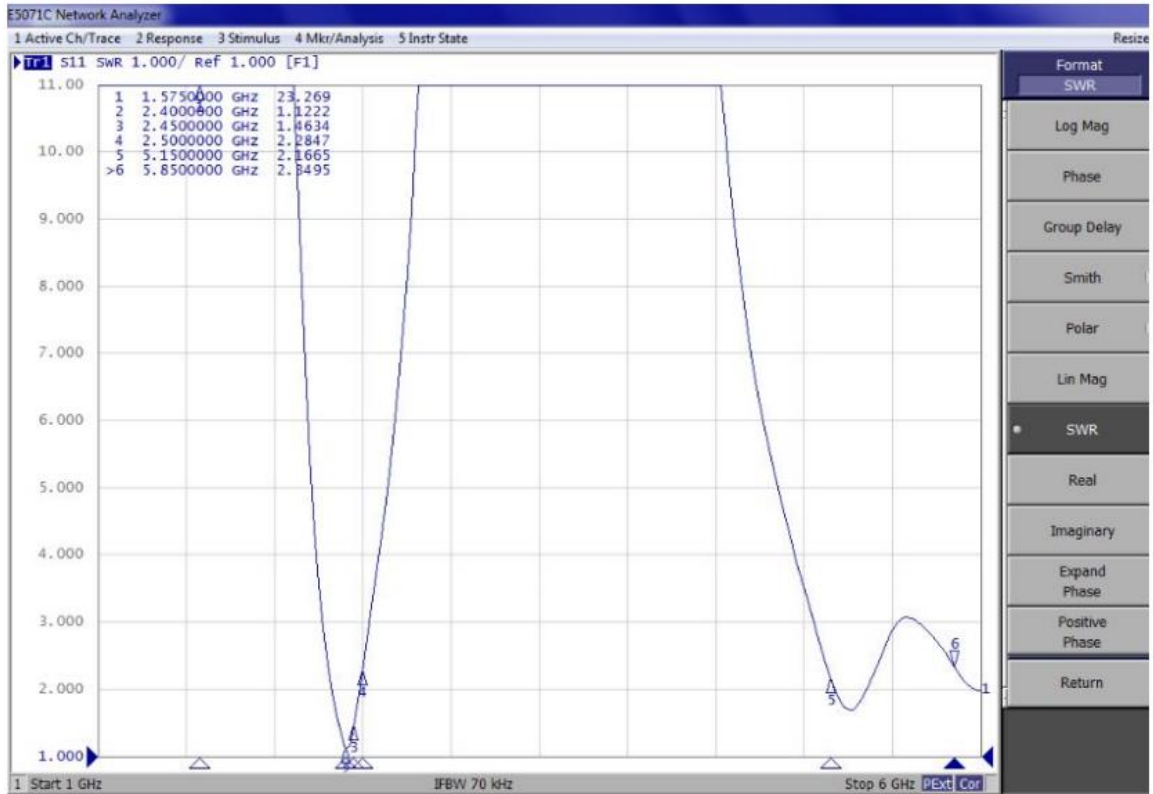
VSWR

Gain and efficiency

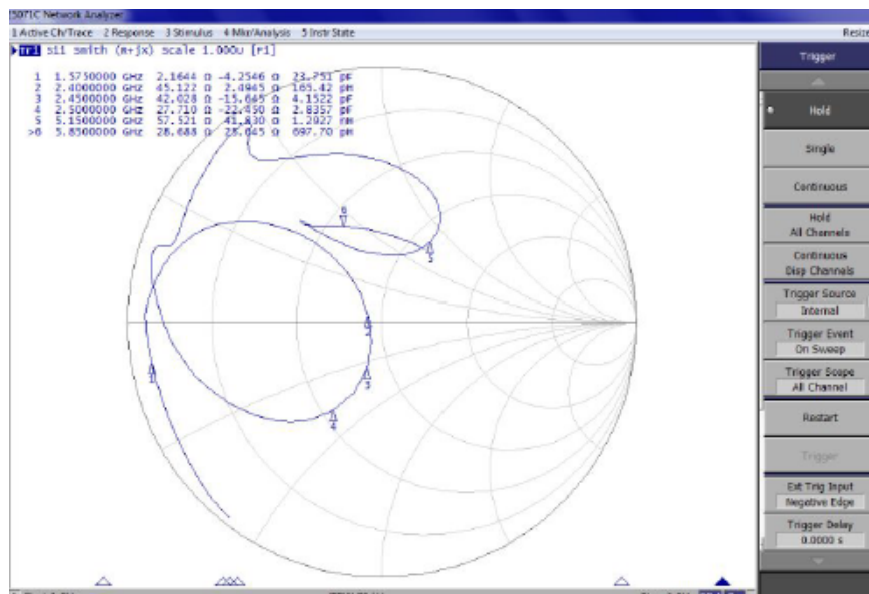
Radiation pattern

4 WIFI ANTENNA Test data

4.1 VSWR



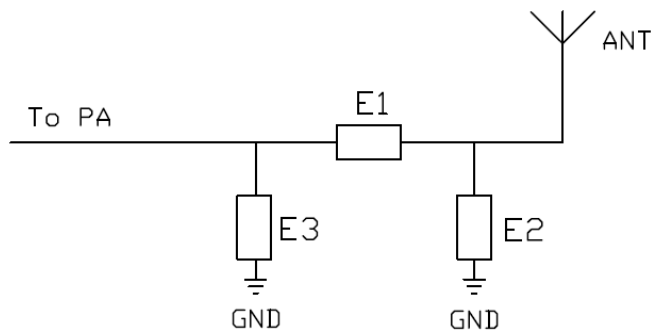
Freq/MHz	2400	2450	2500	5150	5500	5850
VSWR	1.12	1.46	2.28	2.16	2.85	2.34



4.2 Gain and efficiency

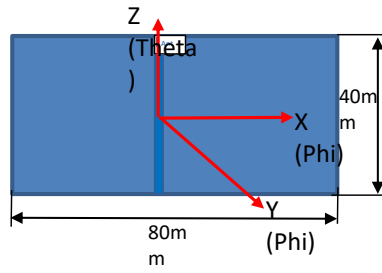
EMBO	WIFI 2.4G/5G					
Frequency (MHz)	2400	2450	2500	5150	5500	5850
Peak gain (dBi)	0.83	1	0.79	1	0.93	0.72
Efficiency %	32	34	30	34	32	29

5 Matching structure

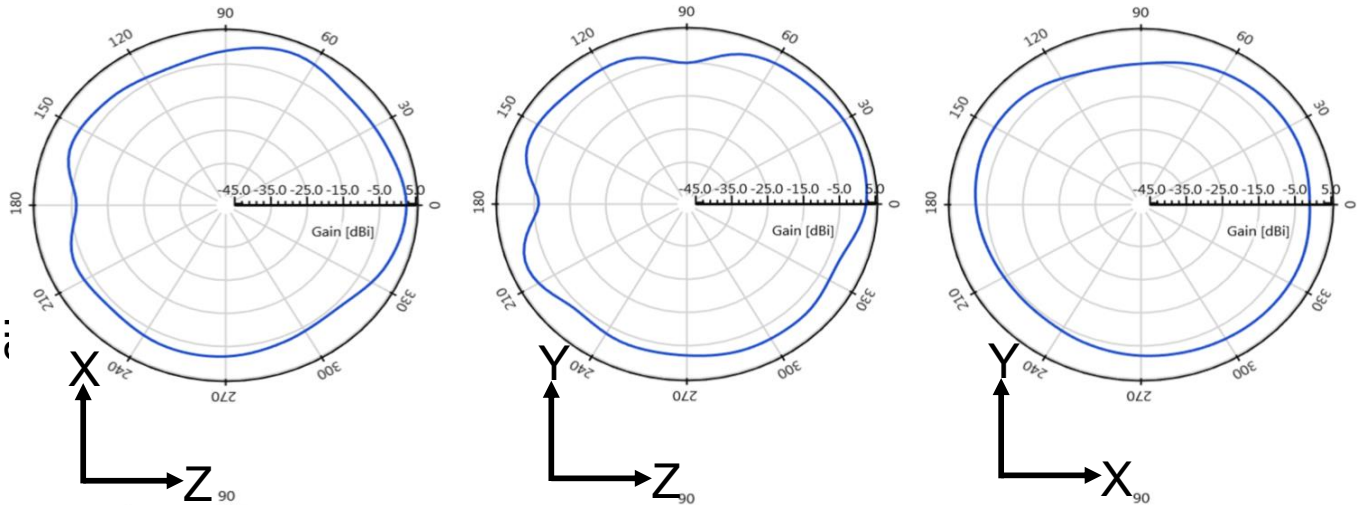


Matching structure	Wifi
E1	0 Ohms
E2	0.5pF
E3	NM

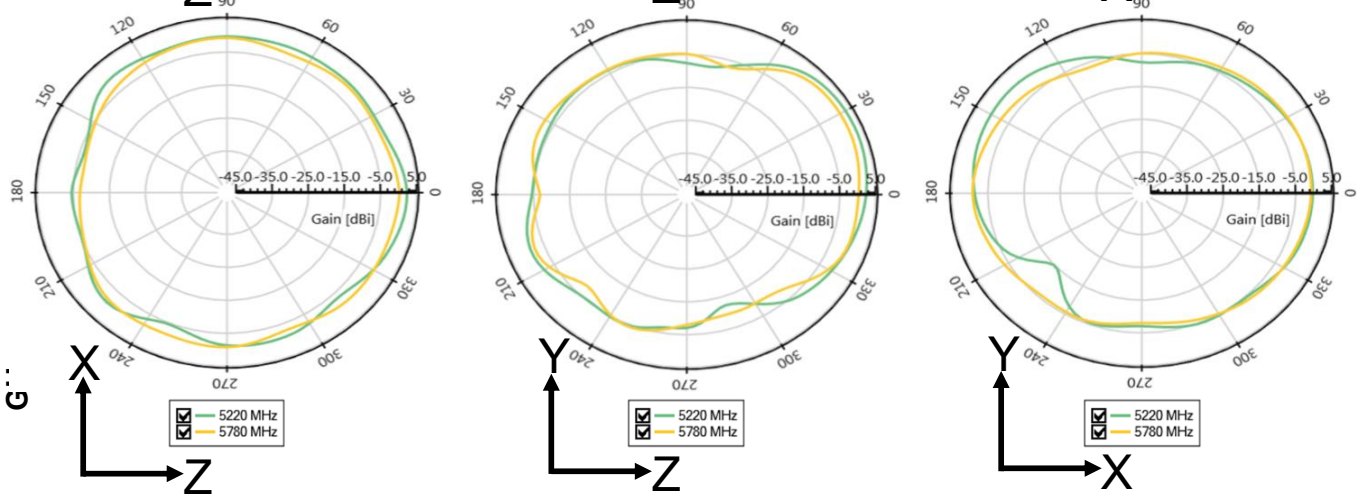
6 Radiation pattern



Measured at 2.45



Measured at 5.220 & 5.780



ANTENNA DRAWING

CUS P/N EM08 WIFI ANT-R

ApplicationDate:

Rev: R:A2

ZTX P/N :EM08 WIFI ANT-R

Editor:

