



beyond
payment

User Guide

iWL2xx Wireless Series



Contents

1. Introduction	4
2. Presentation	5
2.1. Content of the box	5
2.1.1. Terminal	5
2.1.2. Base (optional)	5
2.2. Overview of the iWL2XX	6
2.3. Keyboard details and functionality	7
3. Use of the terminal	7
3.1. Adjusting contrast (B&W display only)	7
3.2. Switching off the terminal	8
3.3. Reading cards	8
3.4. Installing the terminal on the base	9
4. Installation	10
4.1. Recommendations	10
4.2. Terminal connections	10
4.3. Installing Modules	11
4.3.1. SAM1/SAM2/SIM	11
4.3.2. MicroSD Memory Card	12
4.4. Paper roll	13
4.4.1. Mains characteristics of INGENICO paper roll	13
4.4.2. Installing paper roll	14
4.1. Battery	15
4.1.1. Main characteristics	15
4.1.2. Installing the battery	15
4.1.3. Charging the battery	16
4.1.4. Changing the battery	17
5. Base	18
5.1.1. Base rear connections	18
5.1.2. Base downside connections	19

5.1.3. Fasten your base on desk	20
6. Recommendations	21
6.1. Safety	21
6.2. Security of your terminal	22
6.3. Telephone call	22
7. Standards	23
8. Troubleshooting	31
9. Annex	32

1. Introduction

We hope that you will be fully satisfied with your new terminal iWL2XX. This terminal is available in different models. Please select by yourself in this documentation items related to your model.

Read this guide to understand and make the best use of your terminal. It presents you the necessary information about use, installation, maintenance, safety and security recommendations.



WARRANTY / SECURITY

Use only the power supply included with the product to ensure best performance and safety. Maintenance should only be provided by Ingenico authorized technician. Failure to comply with these instructions will void the manufacturer's responsibility.



This symbol indicates an important Warning.

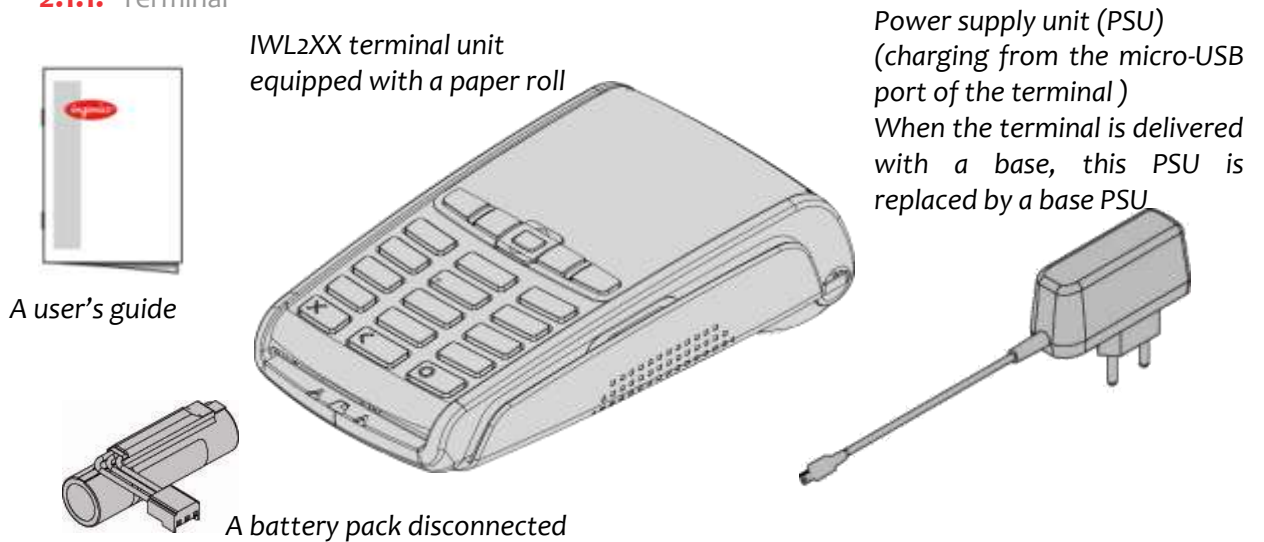


This symbol indicates a piece of advice.

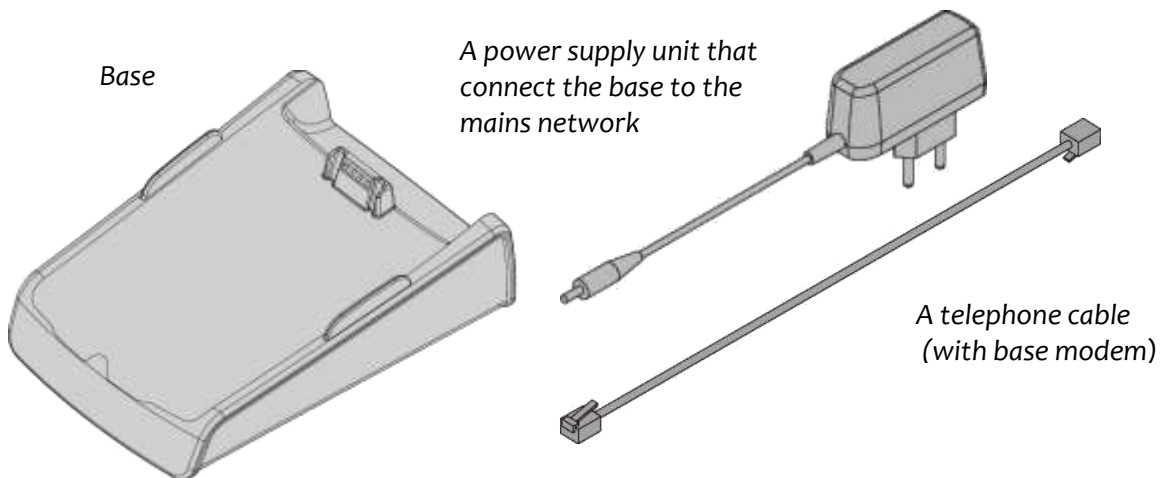
2. Presentation

2.1. Content of the box

2.1.1. Terminal



2.1.2. Base (optional)



WARNING

The power supply unit provided with your equipment is specially designed for Ingenico terminals. Do not use any other power supply. The use of a power supply with apparently similar voltage/current characteristics may damage your terminal.

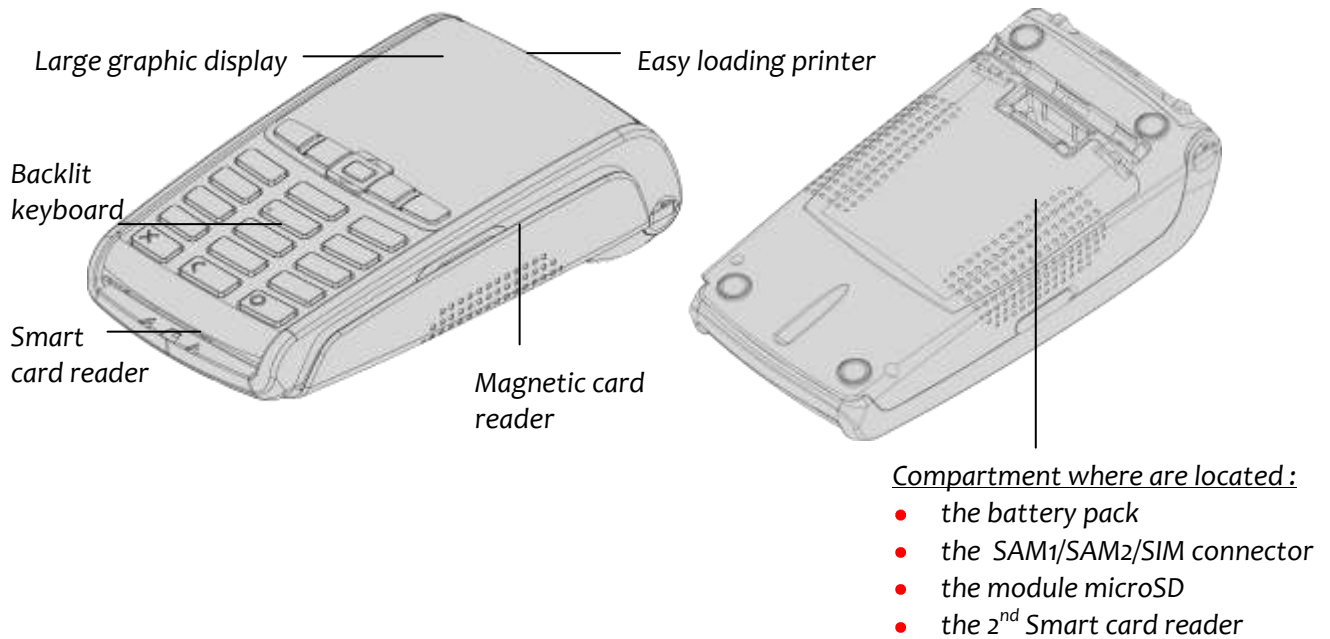


ADVICE

Keep the packaging. It must be re-used whenever the terminal is shipped.

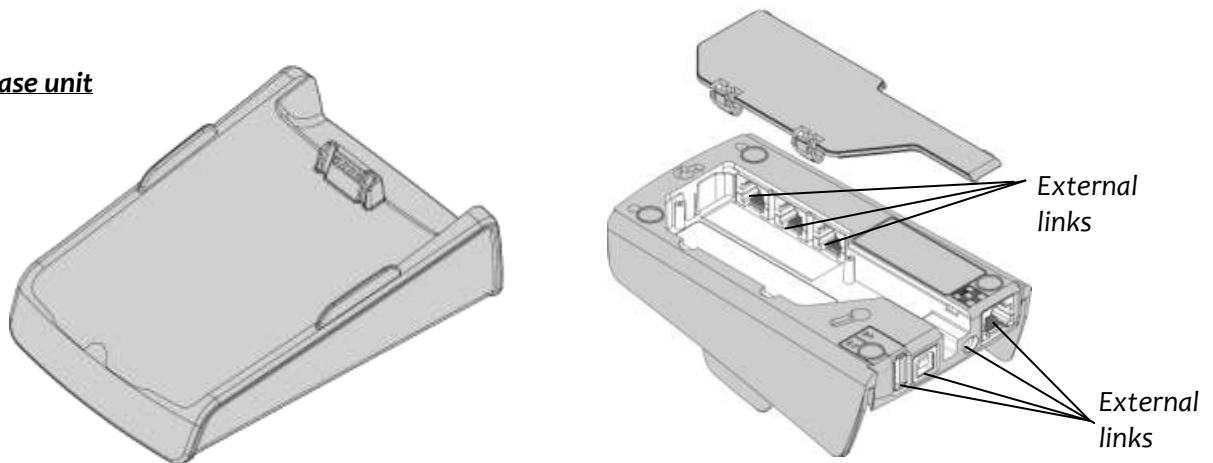
2.2. Overview of the iWL2XX

Terminal unit



Weight (without paper roll nor battery)	285g for the R25 model and 300g for the R40 model
Dimensions (L x w x h)	150x76x44mm for the R25 model and 164,5x76x53,5mm for the R40 model
Mains network	100-240VAC / 50-60 Hz - Class II equipment
Connections on terminal	Micro USB AB serial link

Base unit



Base

Weight	About 150g
Dimensions (L x w x h)	140,7x87,7x45 mm

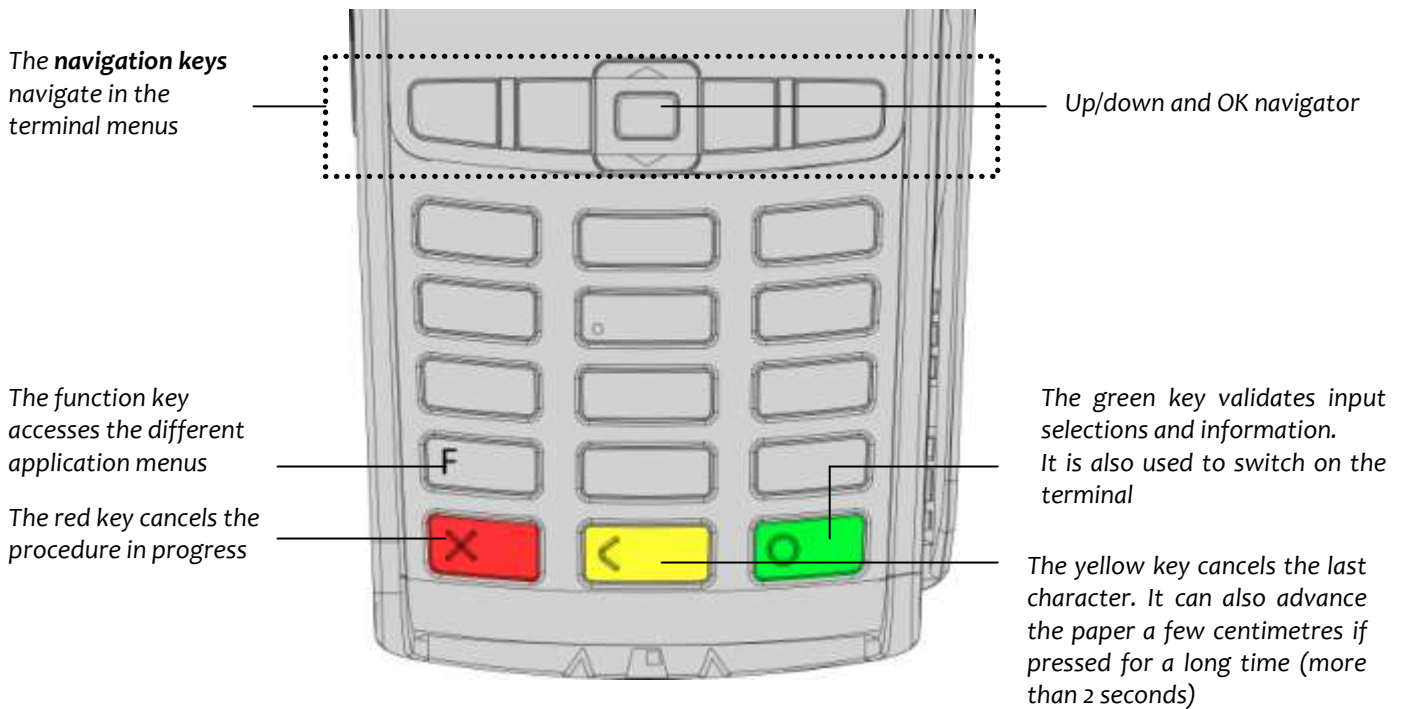
Power supply unit

Weight	About 100g
	2pole sockets 1A (terminal power supply) or 1 A (base power supply)

Power supply units are specially fitted for INGENICO terminals.

2.3. Keyboard details and functionality

Some keys can have other functions according to the applications that are in the terminal.







3. Use of the terminal



ADVICE

Before using the terminal, always check if the roll of paper is present.



3.1. Adjusting contrast (B&W display only)

If you wish to increase or to decrease the contrast of the characters displayed on black and white display, press simultaneously  and navigator UP key  in order to increase the contrast, or  and navigator DOWN key  in order to decrease the contrast.

Keep pressing the keys as long as necessary.

3.2. Switching off the terminal

If the battery is empty and the terminal in use is removed from its base, the terminal automatically shuts off.

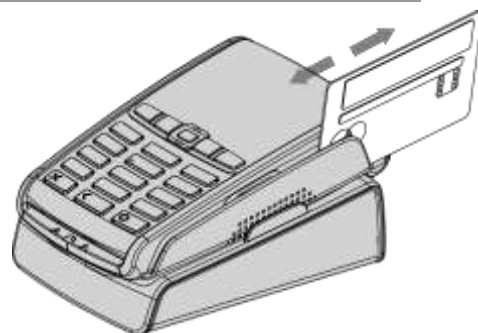
It may also be forced stopped by pressing simultaneously  and  (yellow key) for one second.

In order to restart the terminal, press  (green key) on the keyboard.

3.3. Reading cards

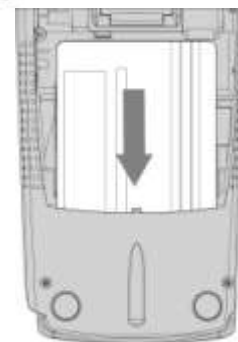
Magnetic stripe card

The card can be read either from bottom to top or from top to bottom, with the stripe facing the terminal. Use a regular movement in order to ensure a reliable card reading.



Smart card

- Card reader : insert the card horizontally with the metal chip facing upward and leave in position throughout the transaction.
- 2nd card reader (Optional) : is located under terminal trapdoor (on back of the terminal). Insert the card up side down, magnetic stripe visible.



Warning

Switch off the terminal before opening the trapdoor.

Contactless (optional)

- Bring the card firmly up to the active zone. Keep the card close to the reader during the transaction
- The 4 LEDs indicate transaction processing (as shown on the picture). On color screen terminal virtual LEDs are displayed.

The terminal behavior for the cardholder may depend on:

- The terminal environment
- Local usage (language...)

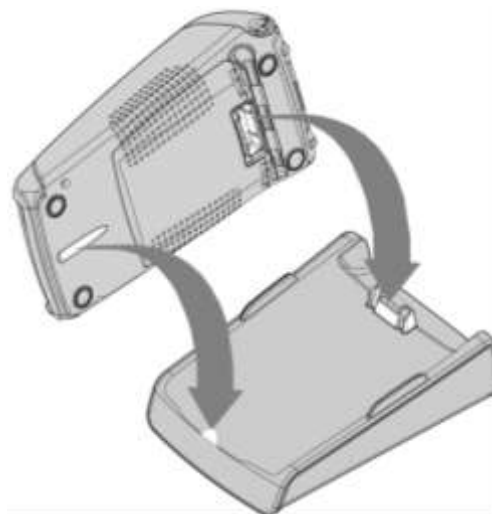


3.4. Installing the terminal on the base

Connecting the terminal on the base

Place the iWL2XX between the flanges on its base so that the contacts of the iWL2XX engage on the contacts provided on the base (see picture below).

The base is designed to charge the terminal and to allow Ethernet or modem communication.



4. Installation

4.1. Recommendations

Location of the iWL2xx

Place the base on flat surface near an electric socket and, if modem option, a telephone socket. The terminal should be placed far from any very hot zones, protected from vibrations, dust, damp and electromagnetic radiation (computer screen, anti-theft barrier etc.).

The terminal must not be fixed to a counter in such a way that a user cannot pick up the terminal and use his/her body to conceal the PIN when it is requested.

Operating conditions

Ambiant temperature	from -10°C to +45°C
Max relative humidity	85% at +40°C

Charging conditions

Ambiant temperature	from 0°C to +40°C
---------------------	-------------------

Storage conditions

Ambiant temperature	from -20°C to +55°C
Max relative humidity	85% at +55°C

4.2. Terminal connections

- There is an USB connector (microAB) on the left side of the iWL2XX Wireless terminal (see below picture). This connector manages Host or Slave connexions.

USB (microAB)

Connector used for PC, travel charger adapter, USB Key, etc...)



CAUTION :

Do not turn USB protection shell down side. Turn shell in clockwise direction to uncap connector. And reverse to cap back

**MicroAB connector durability : up to 10000 mating cycles*

- The terminal supports USB Keys with FAT16 or FAT32
- The USB Key has to be used with an USB adapter (refers to accessories section)

4.3. Installing Modules

4.3.1. SAM1/SAM2/SIM

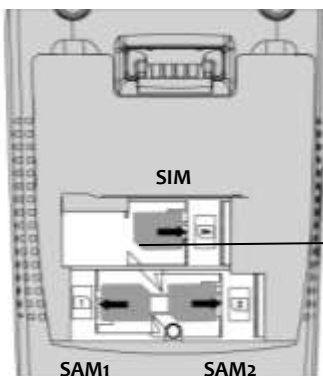
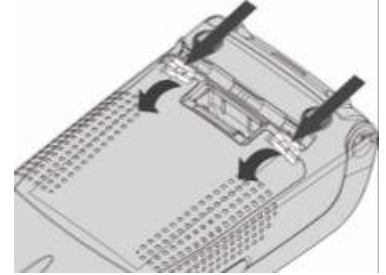


CAUTION :

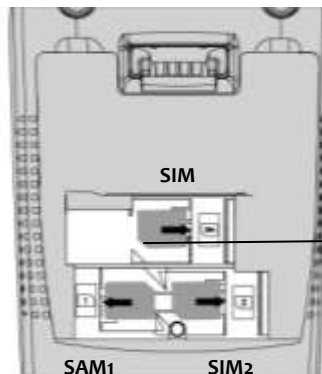
Switch off the terminal before opening the trapdoor.

The SAM/SIM connectors are located inside the terminal, in a closed compartment.

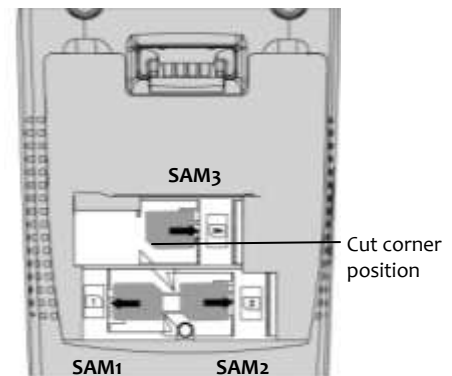
- Turn the terminal and unclip the trapdoor by pushing on the clips with your nails as shown with the arrows on the picture
- SIM or SAM are identified by the engraved marks on the lower housing or a dedicated label.
- When introducing a SAM/SIM in its slot, be sure to put the cut corner as indicated on the picture
- Close the trapdoor.
- SIM/SAM configuration available.



Standard



Dual Sim option



SAM3 option
(Not available with GPRS)



TIP

Use a piece of adhesive tape to grip the SAM for easier and faster removal.

4.3.2. MicroSD Memory Card



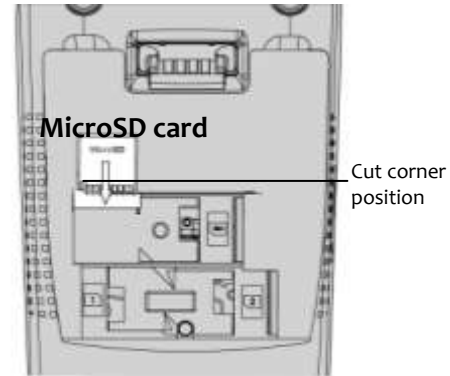
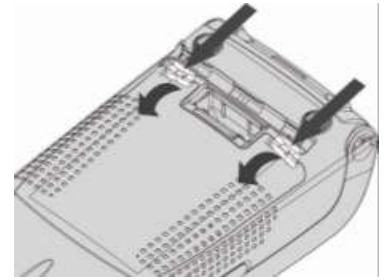
CAUTION :

Switch off the terminal before opening the trapdoor.

MicroSD connector is located inside the terminal, in a closed compartment.

To install a MicroSD Memory Card :

- Turn the terminal and unclip the trapdoor by pushing on the clips with your nails as shown with the arrows on the picture
- Remove battery pack (disconnecting is not necessary).
- Insert the MicroSD Memory Card into the connector slot as shown on the figure.
Be sure to put the MicroSD contacts downside and the cut corner as indicated on the figure.
- Close the trapdoor
The terminal supports MicroSD up to 32GB



To remove a MicroSD Memory Card :

- Turn the terminal and unclip the trapdoor by pushing on the clips with your nails as shown with the arrows on the picture
- Remove battery pack (disconnecting is not necessary).
- Remove the MicroSD Memory Card. MicroSD connector has push/pull ability . Push on MicroSD card edge to remove it.
- Close the trapdoor

4.4. Paper roll

4.4.1. Mains characteristics of INGENICO paper roll

Depending on iWL model two paper roll can be used:

R40 paper roll Characteristics	Precisions
Colour	White
Width	58 mm
Diameter	40 mm
Length	About 18 metres

R25 paper roll Characteristics	Precisions
Colour	White
Width	58 mm
Diameter	25 mm
Length	About 9 metres

- The thermal paper can be deteriorated by poor storage conditions, so we recommend you to avoid :
 - storage in hot wet places (near air-conditioner, humidity higher than 85%)
 - exposure to sunlight or ultraviolet for long periods
 - contact with organic solvents (solvent type adhesive)
 - direct contact with materials containing plasticizers (PVC transparent folders or envelopes)
 - direct contact with «diaz» papers
 - direct contact with water
 - Rubbing or pressing the paper too strongly
- Recommended paper:
AF50KS (Jujo), or F5041 (Mitsubishi), or TK50KS (Nippon_Paper), or equivalent.



WARNING

For best product performance, **only use heat sensitized paper approved by Ingenico.**



WARNING

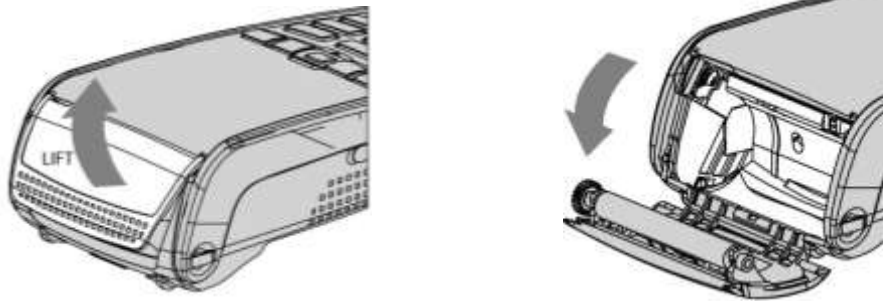
Switch off the terminal prior to installing a paper roll.

Use only paper approved by Ingenico.

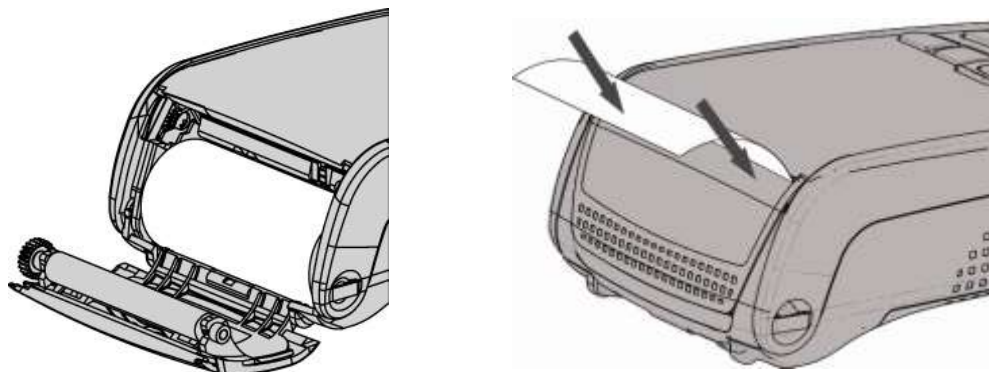
The use of non approved paper is likely to damage the printer of your terminal.

4.4.2. Installing paper roll

- Open the paper compartment by lifting the catch located at the rear of the iWL2XX and pull the cover to the rear of the terminal.



- Insert the paper roll in the compartment following the directions shown on the below picture
- Pull the paper up to the top of the terminal
- Maintain the paper and close the cover
- Press simultaneously on both upper corners of the paper flap, as shown by red arrows on picture, until it clips into position



WARNING

Use keyboard button to feed the paper, NEVER pull the paper by hand.

Do not try to tear the ticket by yanking the paper up or straight against the cutter (located above the display).

Pull the ticket against the printer cutter at the angle (if using left hand, cut from right to left, if using the right hand, cut from left to right).

4.1. Battery

4.1.1. Main characteristics

Characteristics	Li-ion
Capacity	Up to 2250mAh
Charge	50% capacity in 1.5h; full capacity in 4hours
Autonomy*	500 typical transactions up to 250h in stand by

* depend on the terminal type and its base.

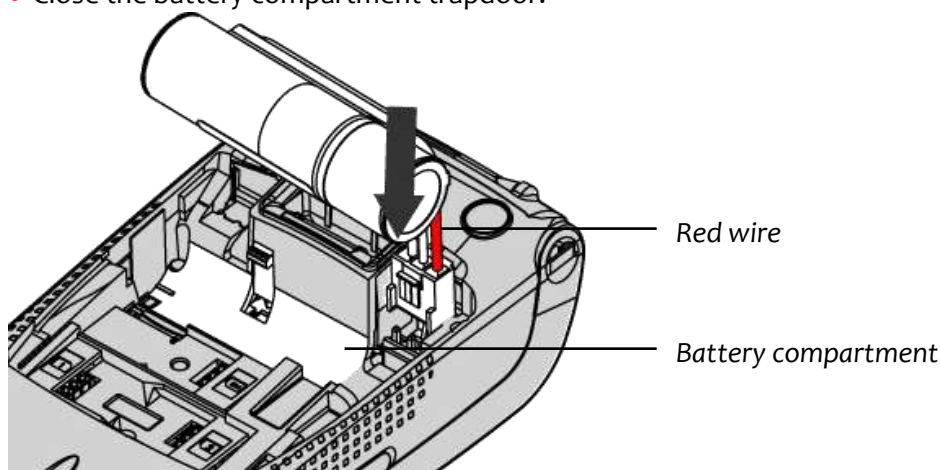
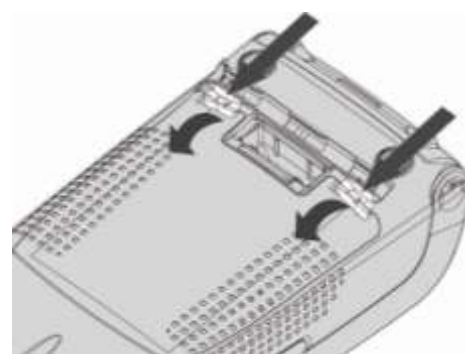
4.1.2. Installing the battery



WARNING

Switch off the terminal prior to connecting the battery.

- Turn your terminal and unclip the battery trapdoor by pushing on the clips with your nails as shown on the picture
- Disengage the trapdoor
- Take the battery pack included in the box
- Locate the battery pack connector beside the battery compartment
- Plug the battery pack connector **according to the connector locating system and the red wire** (as shown on picture). Verify that it locks.
- Place the battery pack in its compartment.
- Check that the wires' path is flat
- Close the battery compartment trapdoor.



4.1.3. Charging the battery

➤ *When does the battery need to be charged?*

- When used daily, the terminal recharges its batteries each time it is placed on its base or each time the traveller charger is connected. Charging is automatic

➤ *How does the battery need to be charged?*

- The environment in which the charge takes place influences battery lifetime and autonomy (number of transactions)

The optimal conditions are as follows:

- Charging away from any external heat source (radiator, sun, enclosed area...)
- The optimal temperature is between +15°C and +25°C.
- 50% capacity in 1.5h; full capacity in 4 hours.

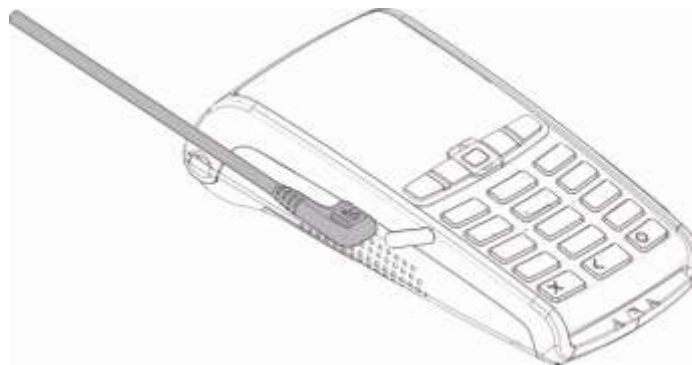
➤ *How can the battery be charged?*

Using the base

- Place the terminal on its base
- **Check if the battery symbol is flashing or moving (=battery charging).**

Using the power travel adapter (the terminal is out of its base)

- Connect the traveller power supply unit to the terminal microAB connector located on the left side of the terminal.





- Connect the power supply unit to the power supply mains network
- **Check if the battery symbol is flashing or moving(=battery charging)**

4.1.4. Changing the battery



It is imperative to use a battery authorized by Ingenico.

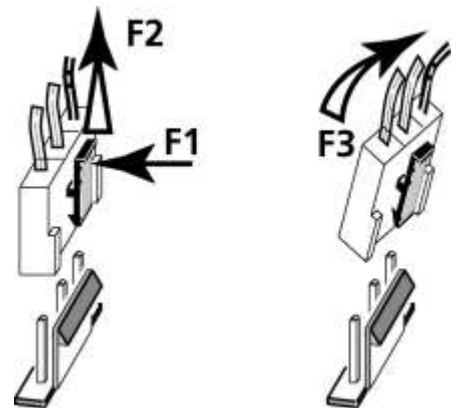
There is danger of explosion if battery used is not approved by Ingenico.

- Remove the terminal from its base
- Turn it off by pressing simultaneously  and  (yellow key) for about one second
- Remove the battery trapdoor (see section 4.1.2 “installing battery”)
- Lift the battery and remove it from its compartment

- Carefully disconnect battery, following the instructions below.

a) Unlock the connector by pressing the locking mechanism as indicated by F1 arrow while pulling wires (F2 arrow), to disconnect the connector. Release traction on it as soon as the connector comes unclipped

b) Finish extracting connector by tilting it slightly (F3 arrow) to bring it away from the terminal housing



- Connect and install the new battery by following the instructions in section 4.1.2 “Installing battery”
- Close the battery trapdoor and charge the new battery. See section “o “Charging the Battery”
- In order to preserve the environment, dispose used battery in compliance with current country recycling legislation.
- If the terminal is stored for a long time remove the battery from the terminal.

5. Base

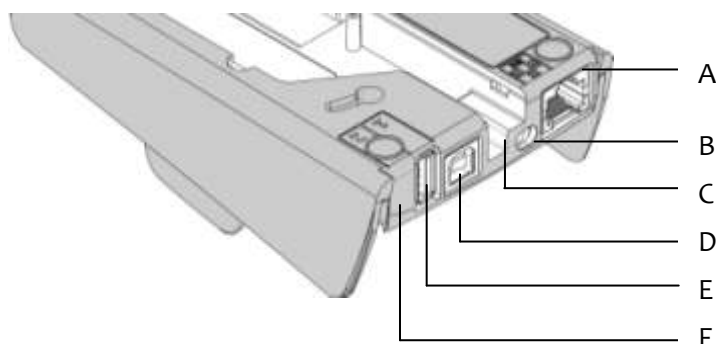
IXL2xx Base is available in different models. Please select by yourself in this documentation items related to your model.



WARNING

Turn off base power supply unit before connection operation.

5.1.1. Base rear connections



A = Ethernet socket (optional)	B = power supply unit socket
C = Path for wires.	D = USB Slave socket-CDC serial mode only (optional)
E = USB host Socket 1 (optional)	F = USB host Socket 2 (optional)



WARNING

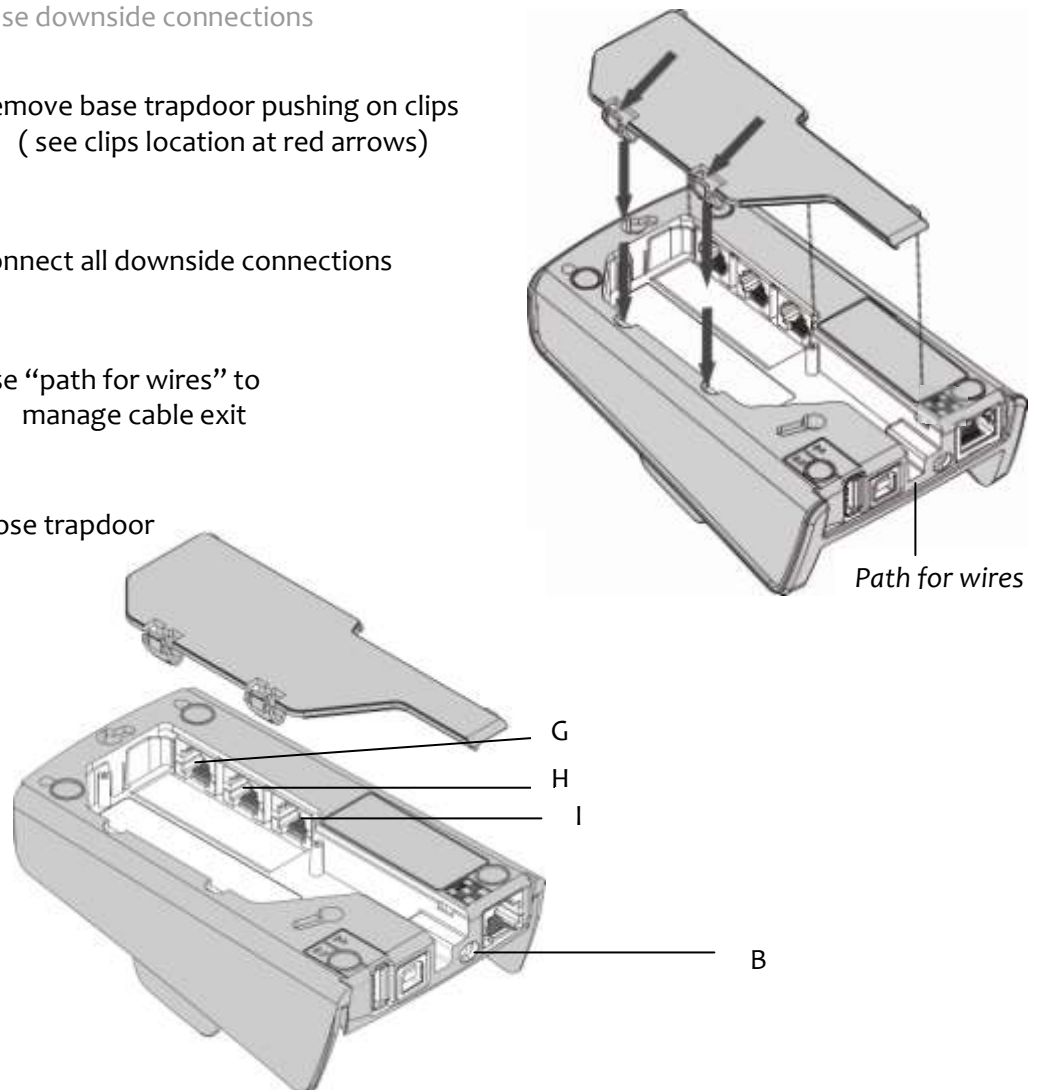
Select an electrical socket that complies with the general safety instruction given in section 6 “Recommendations” of this document.

Follow the below instructions :

- Connect the power supply unit after all other connections.
- Connect the power supply unit to the base socket **B**.
- Connect the power supply unit to the mains network .

5.1.2. Base downside connections

- Remove base trapdoor pushing on clips (see clips location at red arrows)
- Connect all downside connections
- Use “path for wires” to manage cable exit
- Close trapdoor



G = Serial link COM0 – RS232 (optional) RJ11	H = Serial link COM1 – RS232 (optional) RJ11
I = Modem socket (optional) RJ11	

Follow the below instructions to connect the base to the telephone network :

- Disconnect power supply unit (socket B) in order to switch off the base prior to connecting it to the appropriate network.
- Connect telephone cable equipped if necessary with user country specific telephone plug, to the telephone network.
- Connect the other end of the wire to the base (socket I).
- Connect the mains power supply wire to the base (socket B).
- Connect base power supply block to the mains.

Socket I : TNV-3 circuit: Telecommunication Network Voltage, as per safety standard EN 60950-1.

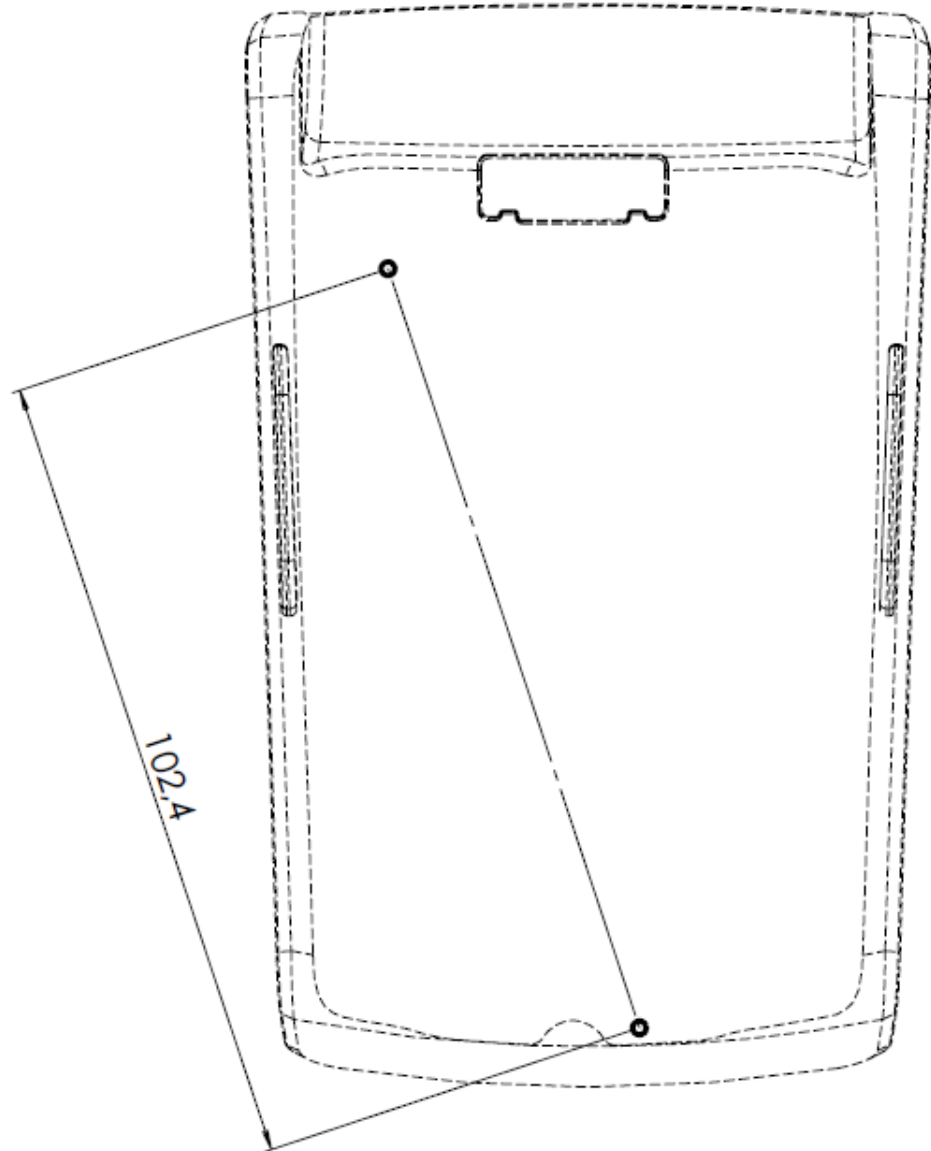
5.1.3. Fasten your base on desk

It is possible to fasten base on desk thanks to buttonholes located on base bottom casing. Uses pattern beside to best locate screws position:



WARNING

Base must be set in horizontal position to insure terminal link work properly. This remains true when buttonholes are used. Uses wall docking station accessory to fasten base in non horizontal position.



6. Recommendations

6.1. Safety

Powering down the iWL2XX base :

Disconnect the iWL2XX power supply block adapter from the electrical mains network.

Lithium cell (Backup battery)

The iWL2XX is fitted with an internal **lithium cell** which can only be accessed by a qualified technician.

Battery

iWL2XX is fitted with battery specially designed for this terminal.

- Only use the appropriate chargers and batteries listed in the Ingenico's catalogue.
- Do not short-circuit the battery.
- Do not attempt to remove the battery housing as its components cannot be modified.
- Do not disassemble
- Batteries in "end of life" must be disposed of at the appropriate sites.

The lifespan depends on:

- Features
- Cycle number of charge and discharge
- Use temperature



Warning

There is a risk of explosion if the battery is incorrectly replaced.
Never place the battery next to a warmth source or in fire.

Electrical power outlet

The electrical outlet must meet the following criteria :

- Must be installed **near the equipment and easily accessible**;
- Must meet standards and regulations in the country where used;
- The protection of the installation must be set to 20 A.

Telephone network

The phone jack must comply with standards and regulations in the country where used.

SAM1/SAM2/SIM readers compartment

The trapdoor for battery, SAM1/SAM2/SIM, readers located underneath the terminal, must be in place during the normal operation of the terminal. See sections "Removal of SAM1/SAM2/SIM, modules" as well as "Connecting the battery".

On airplanes

Your handset must be switched off by removing the battery pack. Remove the battery from the terminal when on an airplane.

Non-compliance with these safety rules may result in legal action and/or a ban on later access to cellular network services.

Explosion areas

Some regulations restrict the use of radio equipment in chemical plants, fuel depots and any site where blasting is carried out. You are urged to comply with these regulations. The terminal shall be protected by a specially fitted and certified cover enabling use in proximity to a fuel pump.

Electronic health appliances

Your handset is a radio transmitter which may interfere with health appliances, such as hearing aids, pacemaker, hospital equipment, etc.

Your doctor or the equipment manufacturer will be able to provide you with appropriate advice.

6.2. Security of your terminal

Upon receipt of your terminal you should check for signs of tampering of the equipment. It is strongly advised that these checks are performed regularly after receipt. You should check, for example: that the keypad is firmly in place; that there is no evidence of unusual wires that have been connected to any ports on your terminal or associated equipment, the chip card reader, or any other part of your terminal. Such checks would provide warning of any unauthorised modifications to your terminal, and other suspicious behaviour of individuals that have access to your terminal. Your terminal detects any "tampered state". In this state the terminal will repeatedly flash the message "Alert Irruption!" and further use of the terminal will not be possible. If you observe the "Alert Irruption!" message, you should contact the terminal helpdesk immediately.

You are strongly advised to ensure that privileged access to your terminal is only granted to staff that have been independently verified as being trustworthy.

CAUTION

NEVER ask the customer to divulge their PIN Code. Customers should be advised to ensure that they are not being overlooked when entering their PIN Code.

The terminal must never be put in or left at a location where it could be stolen or replaced with another device.

6.3. Telephone call

You have an urgent call to make while the iWL2XX is occupying the line.

In order to get a dial tone in short time:

Place the handset in the hang up position **pressing the red key (=cancel)**

or disconnect the base power supply from the mains network

or disconnect the iWL2XX telephone connector from the telephone call socket, and place the telephone connector into the telephone wall socket.

You hear a dial tone within 6 seconds.

7. Standards

CE Marking

The CE marking indicates iWL2xx complies with the requirements of European Directive 1999/5/EC of 9 March 1999 on Radio and Telecommunications Terminal Equipment for:

- the protection of the health and the safety of the user and any other person.
- the protection requirements with respect to electromagnetic compatibility.

and complies with harmonised standards.

Depending iWL2xx model involved standards are:

EN 60950-1: 2006 + A11/2009	According to 2006/95/EC	(Low Voltage Directive)
EN 55022 : 2006 + A1/2007	According to 2004/108/EC	(EMC Directive)
EN 55024 : 1998+A1/2001 + A2 :2003	According to 2004/108/EC	(EMC Directive)
EN 301489-1/7/24 : /2008 /2005/2007	According to 89/336/EEC	(EMC Directive)
EN 301 511 : /12-2003	According to 1999/5/EC	(R&TTE Directive)
EN 301 908-1 : /2010	According to 1999/5/EC	(R&TTE Directive)
EN 62311 : /2008	According to 1999/519/EEC	(R&TTE Directive)
EN 301489-1/17 : /2008/2009	According to 89/336/EEC	(EMC Directive)
EN 300 328 : /2006	According to 1999/5/EC	(R&TTE Directive)
EN 301489-1/3 : /2008/2002	According to 89/336/EEC	(EMC Directive)
EN 302291 -1/2 : / 2005	According to 1999/5/EC	(R&TTE Directive)
EN301893 : 2011	According to 1999/5/EC	(R&TTE Directive)
EN 50357;EN50364 : /2001	According to 1999/519/EEC	(R&TTE Directive)
EN 62479 / 2010		
European approval specification on connecting terminals with DTMF dialling to the public switched telephone network (Council Decision 1998/482/EC, Council Decision 1999/303/EC):		
TS 103021-1/2/3	/09-2003	ES 203021 /1/2/3 (2006)
TR 103000-1/2/3/4	/06-2003	
ES 201187	/03-1999	

Safety instructions in the context of potentially hazardous/explosive atmosphere in presence of gas according European ATEX certification.

iWL22x and iWL25x are suitable in Zone 2 according the following ATEX certification description

CE Ex II 3G Ex ic IIA T3 Gc -10 °C < Tamb < +45 °C



Please read carefully the instruction guide before the installation in hazardous location

Additional or different uses not indicated in the User or Maintenance Guide are not allowed

The equipments/electric components must not be open when energized.

The operation of terminal recharge must be executed in SAFE AREAS

Disconnect and replace the battery pack only in SAFE AREA

The unauthorized replacement or non-original components compromise the safety of the payment terminal. All the spare parts must be Ingenico original.

North American Hazardous Location Notification:

iWL22x and 25x are suitable for use in Class I, Division 2, Groups A – D hazardous (classified) locations only.



- **WARNING:** SUBSTITUTION OF COMPONENTS MAY IMPAIR SUITABILITY FOR DIVISION 2.
- **AVERTISSEMENT:** LA SUBSTITUTION DE COMPOSANTS PEUT ENGENDRER UNE NON-CONFORMITE SELON LA DIVISION 2.

FCC/IC Compliance (Bluetooth model)

The FCC ID for IWL Bluetooth Terminal model (Model: IWL220-01T1426A) is: XKB-IWL2XXBPOS and IC number is: 2586D-IWL220BPOS

The FCC ID for IWL Bluetooth Base model (Model: IWL200-01B1328A) is: XKB-IWL2XXBBASE and IC number is: 2586D-IWL200BBASE

The FCC ID for IWL Bluetooth Contactless Terminal models (Models IWL222-01T1488A and IWL252-01T1535A) is: XKB-IWL2XXBCL and IC number is: 2586D-IWL2BCL



- This device complies with Part 15 of the FCC Rules. Operation is subject to the following two conditions:
 - (1) This device may not cause harmful interference, and
 - (2) This device must accept any interference received, including interference that may cause undesired operation.



- This device complies with Industry Canada licence-exempt RSS standard(s). Operation is subject to the following two conditions:
 - (1) This device may not cause harmful interference, and
 - (2) This device must accept any interference received, including interference that may cause undesired operation.
- Le présent appareil est conforme aux CNR d'Industrie Canada applicables aux appareils radio exempts de licence. L'exploitation est autorisée aux deux conditions suivantes :
 - (1) L'appareil ne doit pas produire de brouillage, et
 - (2) L'utilisateur de l'appareil doit accepter tout brouillage radioélectrique subi, même si le brouillage est susceptible d'en compromettre le fonctionnement.

- This class (B) digital apparatus complies with Canadian ICES-003. / Cet appareil numérique de la classe B est conforme à la norme canadienne ICES-003



- Industry Canada as per DC-01 (Modem version)

This product meets the applicable Industry Canada technical specifications. / Le présent matériel est conforme aux spécifications techniques applicables d'Industrie Canada.

The Ringer Equivalence Number (*REN*) is an indication of the maximum number of devices allowed to be connected to a telephone interface. The termination of an interface may consist of any combination of devices subject only to the requirement that the sum of the *RENs* of all the devices not exceed five. / L'indice d'équivalence de la sonnerie (*IES*) sert à indiquer le nombre maximal de terminaux qui peuvent être raccordés à une interface téléphonique. La terminaison d'une interface peut consister en une combinaison quelconque de dispositifs, à la seule condition que la somme d'indices d'équivalence de la sonnerie de tous les dispositifs n'excède pas cinq.



- The *REN* for 2586D-IWL200BBASE is: 0.4B
- Part 68 of FCC Rules (for Modem version Only)

This equipment complies with Part 68 of the FCC rules and the requirements adopted by the ACTA. On the bottom of this equipment is a label that contains, among other information, a product identifier in the format US:AAAEQ##TXXXX. If requested, this number must be provided to the telephone company.

This equipment uses the following USOC jacks: (RJ11C).

A plug and jack used to connect this equipment to the premises wiring and telephone network must comply with the applicable FCC Part 68 rules and requirements adopted by the ACTA. A compliant telephone cord and modular plug is provided with this product. It is designed to be connected to a compatible modular jack that is also compliant. See installation instructions for details.

The REN is used to determine the number of devices that may be connected to a telephone line. Excessive RENs on a telephone line may result in the devices not ringing in response to an incoming call. In most but not all areas, the sum of RENs should not exceed five (5.0). To be certain of the number of devices that may be connected to a line, as determined by the total RENs, contact the local telephone company.

If this equipment causes harm to the telephone network, the telephone company will notify you in advance that temporary discontinuance of service may be required. If advance notice is not practical, the telephone company will notify the customer as soon as possible. Also, you will be advised of your right to file a complaint with the FCC if you believe it is necessary.

The telephone company may make changes in its facilities, equipment, operations, or procedures that could affect the operation of this equipment. If this happens, the telephone company will provide advance notice in order for you to make the necessary modifications to maintain uninterrupted service.

If trouble is experienced with this equipment, please contact Ingenico, or your local INGENICO distributor or service center in the U.S.A. for repair and/or warrant information. If the trouble is causing harm to the telephone network, the telephone company may request you to remove this equipment from the network until the problem is resolved. No repairs can be done by a customer on this equipment.

Connection to party line service is subject to state tariffs. Contact the state public utility commission, public service commission or corporation commission for information.

If your home has specially wired alarm equipment connected to the telephone line, ensure the installation of this equipment does not disable your alarm equipment. If you have questions about what will disable alarm equipment, consult your telephone company or a qualified installer.



- No changes shall be made to the equipment without the permission of Ingenico as this may void the user's authority to operate the equipment. / Tout changement apporté à ce terminal non expressément approuvé par Ingenico est susceptible d'annuler le droit de l'utilisateur à se servir de cet équipement.
- Service Center Information

The service center to be contacted is:

INGENICO North America
79 Torarrie Road
M3L 1G5 Toronto Ontario
Fax : +1 416 245 6701 tel : +1 416 245 6700

FCC/IC Compliance (GSM/GPRS/3G model)

The FCC ID for IWL GSM/GPRS Terminal model is: XKB-IWL2XXG

The FCC ID for IWL GSM/GPRS Contactless Terminal model is: XKB-IWL2XXGCL and IC number is: 2586D-IWL2XXGCL

The FCC ID for IWL 3G Contactless Terminal model is: XKB-IWL2XX3GCL and IC number is: 2586D-IWL3GCL



- This device complies with Part 15 of the FCC Rules. Operation is subject to the following two conditions:
 - (1) This device may not cause harmful interference, and
 - (2) This device must accept any interference received, including interference that may cause undesired operation.

NOTE: This equipment has been tested and found to comply with the limits for a Class B digital device, pursuant to part 15 of the FCC Rules. These limits are designed to provide reasonable protection against harmful interference in a residential installation. This equipment generates, uses and can radiate radio frequency energy and, if not installed and used in accordance with the instruction, may cause harmful interference to radio communications. However, there is no guarantee that interference will not occur in a particular installation. If this equipment does cause harmful interference to radio or television reception which can be determined by turning the equipment off and on, the user is encouraged to try to correct interference by one or more of the following measures:

- Reorient or relocate the receiving antenna.
 - Increase the separation between the equipment and receiver.
 - Connect the equipment into an outlet on circuit different from that to which the receiver is connected.
 - Consult the dealer or an experienced radio/TV technician for help
-
- In order to meet FCC and Industry Canada RF radiation exposure limits for general population, this device must only be operated when held in the hand or in desktop position with a minimum separation distance of at least 20cm from the user's body and it must not be collocated or operated in conjunction with any other antenna or transmitter. Use of this device with an accessory in order to be worn and operated on user's body is strictly prohibited and will invalidate the certifications obtained for FCC and Industry Canada.
 - Afin de respecter les directives de la FCC et d'Industrie Canada concernant les expositions radiofréquence, cet appareil ne doit fonctionner que tenu dans la main ou sur station d'accueil avec une distance minimale d'au moins 20cm du corps de l'utilisateur et il ne doit pas être en colocation ou coopération avec une autre antenne ou émetteur. L'utilisation de cet appareil avec un accessoire dans le but d'être porté et fonctionné sur le corps de l'utilisateur est strictement prohibé et invalidera les certifications FCC et Industrie Canada obtenues
 - This device complies with Industry Canada licence-exempt RSS standard(s). Operation is subject to the following two conditions:
 - (1) This device may not cause harmful interference, and
 - (2) This device must accept any interference received, including interference that may cause undesired operation.

- Le présent appareil est conforme aux CNR d'Industrie Canada applicables aux appareils radio exempts de licence. L'exploitation est autorisée aux deux conditions suivantes :

(1) l'appareil ne doit pas produire de brouillage, et

(2) l'utilisateur de l'appareil doit accepter tout brouillage radioélectrique subi, même si le brouillage est susceptible d'en compromettre le fonctionnement.

- This class (B) digital apparatus complies with Canadian ICES-003.
- Cet appareil numérique de la classe B est conforme à la norme canadienne ICES-003



- No changes shall be made to the equipment without the permission of Ingenico as this may void the user's authority to operate the equipment.
- Tout changement apporté à ce terminal non expressément approuvé par Ingenico est susceptible d'annuler le droit de l'utilisateur à se servir de cet équipement.

FCC/IC Compliance (WiFi model)

The FCC ID for IWL Wifi Terminal model (Model: IWL220-01T1426A) is: XKB-IWL2XXWBCL and IC number is: 2586D-IWL2WBCL



- THIS DEVICE COMPLIES WITH PART 15 OF THE FCC RULES. OPERATION IS SUBJECT TO THE FOLLOWING TWO CONDITIONS: (1) THIS DEVICE MAY NOT CAUSE HARMFUL INTERFERENCE, AND (2) THIS DEVICE MUST ACCEPT ANY INTERFERENCE RECEIVED, INCLUDING INTERFERENCE THAT MAY CAUSE UNDESIRE OPERATION.
- NOTE: THE GRANTEE IS NOT RESPONSIBLE FOR ANY CHANGES OR MODIFICATIONS NOT EXPRESSLY APPROVED BY THE PARTY RESPONSIBLE FOR COMPLIANCE. SUCH MODIFICATIONS COULD VOID THE USER'S AUTHORITY
- NOTE: This equipment has been tested and found to comply with the limits for a Class B digital device, pursuant to part 15 of the FCC Rules. These limits are designed to provide reasonable protection against harmful interference in a residential installation. This equipment generates uses and can radiate radio frequency energy and, if not installed and used in accordance with the instructions, may cause harmful interference to radio communications. However, there is no guarantee that interference will not occur in a particular installation. If this equipment does cause harmful interference to radio or television reception, which can be determined by turning the equipment off and on, the user is encouraged to try to correct the interference by one or more of the following measures:
 - Reorient or relocate the receiving antenna.
 - Increase the separation between the equipment and receiver.
 - Connect the equipment into an outlet on a circuit different from that to which the receiver is connected.
 - Consult the dealer or an experienced radio/TV technician for help.



- This device complies with Industry Canada licence-exempt RSS standard(s). Operation is subject to the following two conditions:
 - (3) This device may not cause harmful interference, and
 - (4) This device must accept any interference received, including interference that may cause undesired operation.
- Le présent appareil est conforme aux CNR d'Industrie Canada applicables aux appareils radio exempts de licence. L'exploitation est autorisée aux deux conditions suivantes :
 - (1) l'appareil ne doit pas produire de brouillage, et
 - (2) l'utilisateur de l'appareil doit accepter tout brouillage radioélectrique subi, même si le brouillage est susceptible d'en compromettre le fonctionnement.
- This class (B) digital apparatus complies with Canadian ICES-003. / Cet appareil numérique de la classe B est conforme à la norme canadienne ICES-003
- The RF exposure information of the device are compliant with KDB 447498 Do1 General RF Exposure Guidance v05r01.

Environment (WEEE, Batteries and Packaging)

This product is labeled in accordance with European Directives 2002/96/EC concerning Waste Electrical and Electronic Equipment (WEEE) and 2006/66/EC concerning Batteries and Accumulators. Those provisions are requiring producers and manufacturers to become liable for take-back, treatment and recycling upon end of life of equipment and batteries.



The associated symbol means that WEEE and waste batteries must not be thrown away but collected separately and recycled.

Ingenico ensures that efficient collection and recycling schemes are set-up for WEEE and batteries according to the local regulation of your country. Please contact your retailers for more detailed information about the compliance solution in place for disposing of your old product and used batteries.

Packaging waste must also be collected separately to assure a proper disposal and recycling.

Please note that proper recycling of the electrical and electronic equipment and waste batteries will ensure safety of human health and environment.

8. Troubleshooting

The terminal does not turn on

- Check the battery (is it discharged ?, is it connected ?)
A full discharged battery can take long charging time to recover
- Connect terminal to traveler power supply or put it on powered base

The terminal does not connect to the telephone line

- Check the base power supply and telephone line cables
- Check for base electrical power network
- Check for Power On Ethernet network (POE powered base only: optional)

The terminal fails to establish a telephone connection

- Check that the tone of the phone line is free
- Check the configuration of the phone line and number to call
- Get technical support

Cards are not read

- Check if the magnetic card is swiped correctly (with magnetic stripe on terminal side).
- Swipe again the card with the magnetic stripe movement constant and rapid
- Check if the magnetic strip is not damaged, grooved or cracked
- Make sure you have inserted correctly the smart card into the smart card reader and removed the card only after the transaction is performed.

The ticket is not printed







- Check the presence and proper positioning of the paper roll.
Possibly adjust the paper roll following the instructions in this manual (section 4.4 “Installing the paper roll”)
- Check the type of paper used (thermal paper must be used)
- Verify thermal paper sensitive side.

The ticket is printed slower than usually

- Place the unit on the cradle or plug the USB cable in to charge the battery.

9. Annex

Accessories list

- 192013244 : Car charger 5V 0.75A μ USB iWL 
- 296110863: Power travel adapter JACK/ μ USB 
- 192010793 : CE traveler power supply unit (μ USB)
192010813 : UK traveler power supply unit (μ USB)
192010834 : US traveler power supply unit (μ USB)
192010855 : CHN traveler power supply unit (μ USB)
192010876 : AUS traveler power supply unit (μ USB) 
- 192010579: CE base power supply unit (Jack)
192010582 : UK base power supply unit (Jack)
192010602 : US base power supply unit (Jack)
192010623 : CHN base power supply unit (Jack)
192010644 : AUS base power supply unit (Jack) 
- 192011323 : Pack BA Multi EU/US/UK 5V 1A (Jack) 
- 192011344 : Pack BA Multi EU/US/UK 5V 1A (μ USB) 

Comments:

Using Power supply with Jack connector to charge the battery with the base.

Using Power supply with μ USB connector to charge the battery without the base (direct connection to the μ USB connector of the terminal).

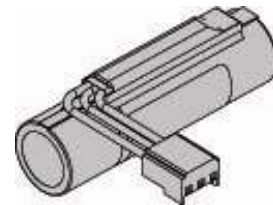
- 296109815: USB Cord (microB on terminal side USBA male on the other side) 1.5 m black



- 296130539: USB Cord (microA on terminal side USBA female on the other side) 0,15 m black



- 295006044 : Battery pack Li-Ion standard



- 192034892 : Terminal (μ USB) car charger ALIM 11-32V/5V 675 mA
- 192034912 Base (Jack) car charger ALIM.11-32V/5V 675mA



WARRANTY / SECURITY

Use only the power supply included with the product to ensure best performance and safety. Maintenance should only be provided by Ingenico authorized technician.

Failure to comply with these instructions will void the manufacturer's responsibility.

“This Document is Copyright © 2013 by INGENICO Group. INGENICO retains full copyright ownership, rights and protection in all material contained in this document. The recipient can receive this document on the condition that he will keep the document confidential and will not use its contents in any form or by any means, except as agreed beforehand, without the prior written permission of INGENICO. Moreover, nobody is authorized to place this document at the disposal of any third party without the prior written permission of INGENICO. If such permission is granted, it will be subject to the condition that the recipient ensures that any other recipient of this document, or information contained therein, is held responsible to INGENICO for the confidentiality of that information.

Care has been taken to ensure that the content of this document is as accurate as possible. INGENICO however declines any responsibility for inaccurate, incomplete or outdated information. The contents of this document may change from time to time without prior notice, and do not create, specify, modify or replace any new or prior contractual obligations agreed upon in writing between INGENICO and the user.

INGENICO is not responsible for any use of this device, which would be non consistent with the present document.

All trademarks used in this document remain the property of their rightful owners.”

Your contact

Ingenico
28-32 Boulevard de Grenelle
75015 Paris - France
Tél: + 33 1 58 01 80 00
www.ingenico.com

*2961159