

EXTERNAL PHOTOS OF TESTED EUT

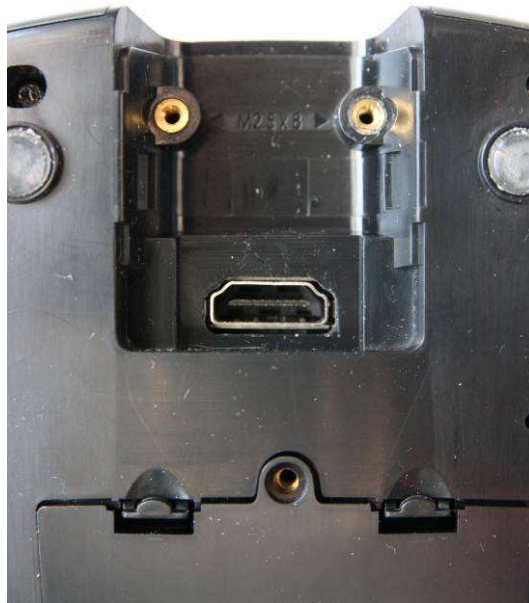
iPP350-01Txxxxx



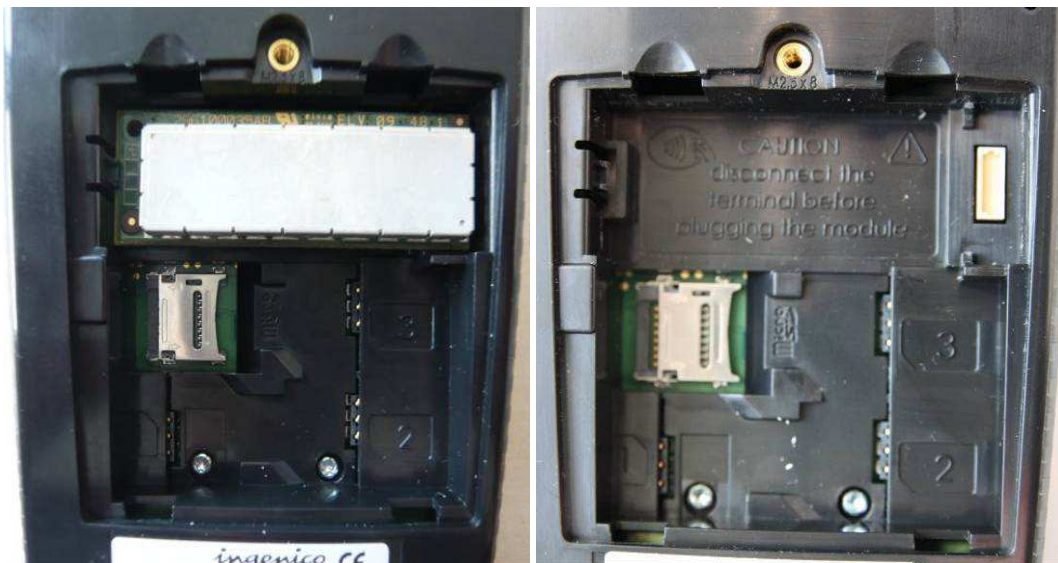
iPP320-01Txxxxx



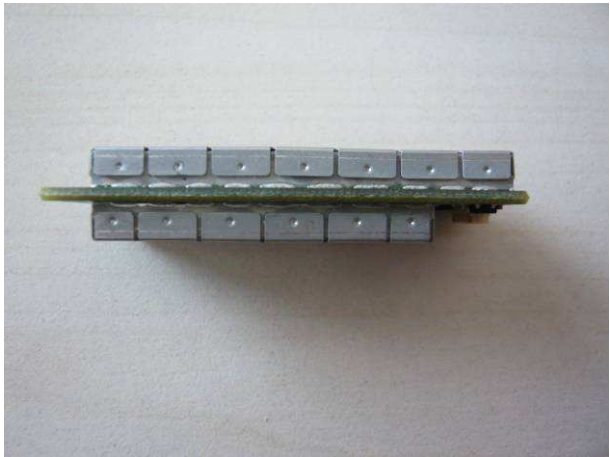
iPP350-01Txxxxx and iPP320-01Txxxxx



HDMI connector



ingenico 16
With and without the RF module option 13.56MHz



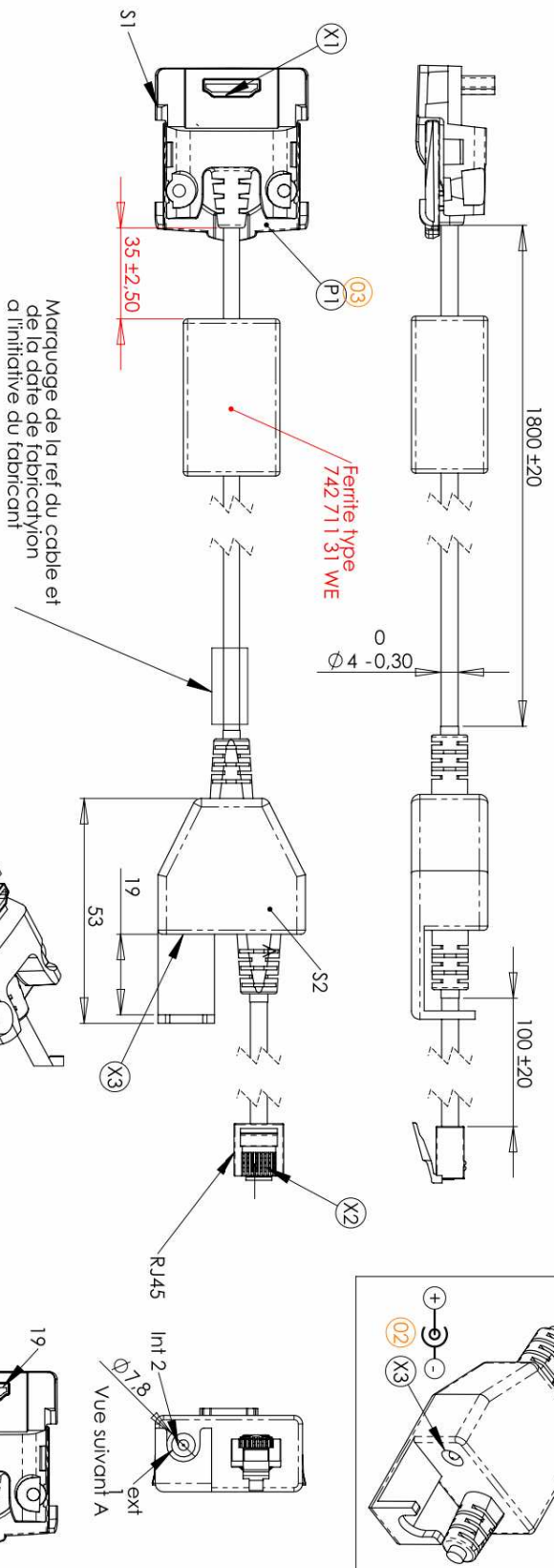
RF module option 13.56MHz

Configuration n°1 :

- Communication access: - Ethernet
- Power supply: - Power supply adapter Type FRIWO 153051 (8Vdc <-> IPP3x)
- Option Cable: - Ref: IPP3xx-A-XXX-X



K:\Bdsagem_brd\Etudes\patent\IP33XX\Etude\Cables\296106335 mod03 cable ethernet IPP3XX-A-STD-D



Fonction	Departure point	Outline	Arrival point	Comments	Annexed copper wires
ETHERNET	HDMI				
(X1)	1				
	2				
	3				
	4		RJ 45	(X2)	
	5				
	6		TX +		AWG 28
	7		TX -		AWG 28
	8		RX +		AWG 28
	9				
	10				
	11		RX -		AWG 28
	12				
ET-TX+	13				
ET-TX-	14				
ET-RX+	15				
ET-RX-	16				
GND	17		DC Jack	(X3)	
V Allim	18		GND		AWG 24
	19		5V		AWG 24
Aluminium shield					Aluminium shield
SHELL					DRAIN Wire
Spiral shield (80-90°0,08)					Spiral shield (80-90°0,08)

rep sumoul. plan n°
 S1 900000145 matière PVC dureté 65P couleur commentaire
 S2 65P RAL 7021 connecteur DC powerjack intégré au boîtier
 Ø Int 2,1 Øext 5,6 Lng 15mm
 rep part P1 900001327

Tous les éléments doivent être certifiés conformes à la directive RoHS 2002/95/EC
 All components must be certified in accordance with RoHS directive 2002/95/EC

MODIFIE	NOMINALE	DATE	VERIFIE	NOMINALE	DATE
MODIFIED	NOMINAL	14/12/09	CHECKED	NOMINAL	

DESIGNATION: **CABLE ETHERNET IPP3XX-A-STD-D**
 DEPARTMENT: **CABLE ETHERNET IPP3XX-A-STD-D**
 R.FAB/P.N. **296106335**
 FORMAT SIZE: **A3**
 FEUILLESHEET: **1 / 1**
 NUMBER OF DOCUMENT: **900001372**
 DRAWING NUMBER: **R40 000 04**
 TYPE: **PART**
 VERS: **04**

ECHELLE: 1:1
 SCALE: 1:1
 ingwico®
 CAPOLO - SOLUTIONS

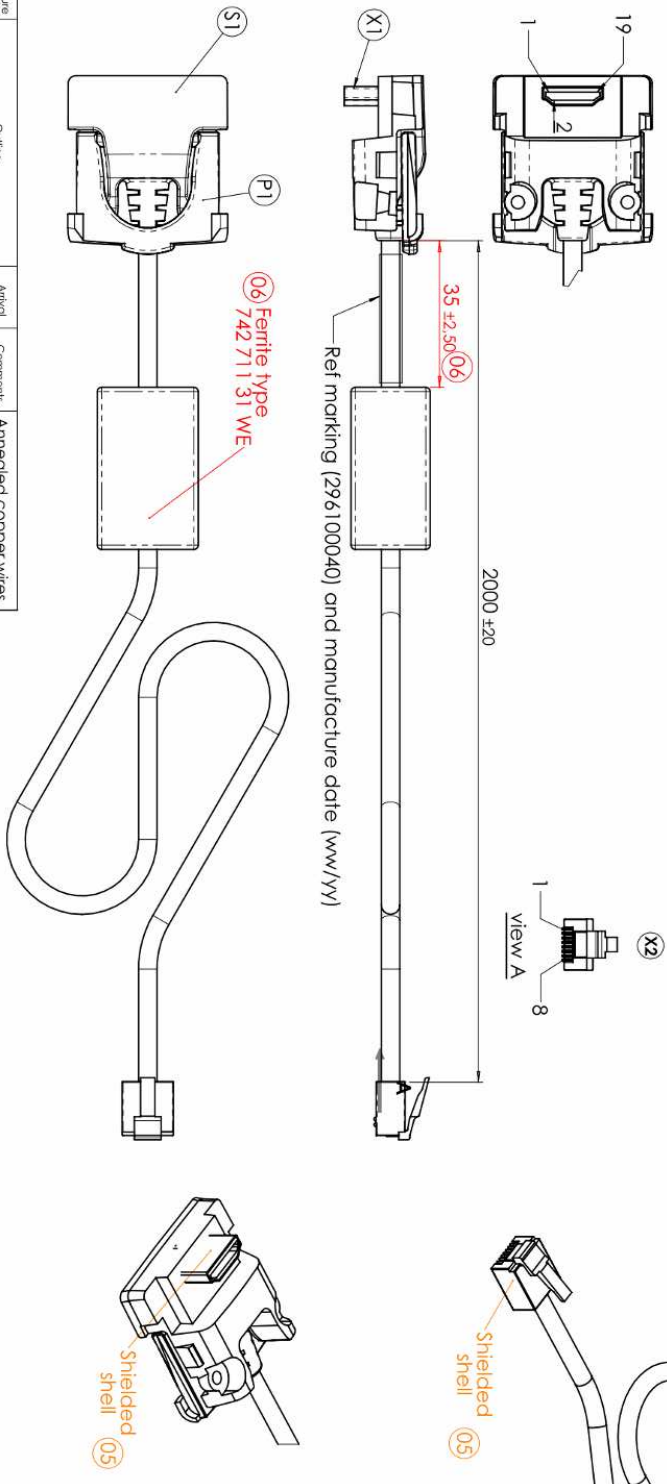
Comment: Marking according to cabling specification
 All conductors must be shielded by TINSEL coiled around silk fiber

Configuration n°2 :

- Communication access: - Ethernet
- Power supply: - Power over Ethernet (POE) provided by a POE injector type PHIHONG POE30U-560
- Option Cable: - Ref: IPP3xx-P-XXX-X



K:\Bds\sgem_bol\Etude\es\paiement\IP33XX\Etude\Cables\296100040_mod04_cable ETHERNET_IP33XX-P-STD-D



Function	Departure point	Outline	Artical point	Comments	Armedded copper wires
ETHERNET	HDMI				
(X1)	1				
	2				
	3				
	4				
	5				
	6				
	7				
	8				
	9				
	10				
	11				
	12				
POE +			RJ 45	(X2)	
ET-1X+	13	Twisted pair	1	TX +	AWG 28
ET-1X-	14	Twisted pair	2	TX -	AWG 28
ET-1X+	15	Twisted pair	3	RX +	AWG 28
ET-1X-	16	Twisted pair	4	RX -	AWG 28
POE -	17	Twisted pair	5	POE +	
GND	18	Twisted pair	6	RX -	AWG 28
		Twisted pair	7	POE -	
Aluminium shield			8		
SHELL					
Spiral shield (80-90°0.08)					Aluminium shield
					DRAIN WIRE
					Spiral shield (80-90°0.08)

NOI	VER.	DATE
01	01	18/08/09
02	02	26/09/09
03	03	13/11/09
04	04	23/12/09
05	05	09/02/10
06	06	02/04/10

rep surmouj.	plan n°	matière	dureté	couleur
S1	900000145	PVC	65P	RAL 7021
rep part	plan n°			
P1	900001327			

Tous les éléments doivent être certifiés conformes à la directive RoHS 2002/95/EC
All components must be certified in compliance with RoHS directive 2002/95/EC

MATIERE / MATERIAL	TREATMENT / TRAITEMENT	PROTECTION	EN LA SURFACE / SURFACE TEXTURE	ESCALE / SCALE
			VICIOUS	H1

MODIFIE / MODIFIED	NOMINALE / NOMINAL	DATE / DATE	VERIFIE / CHECKED	NOMINALE / NOMINAL	S. BARRON	DATE / DATE
	V. HERNANDEZ	18/08/09				03/09/09

DESIGNATION: **CABLE ETHERNET IP33XX-P-STD-D**

DE NOMINATION: **CABLE ETHERNET IP33XX-P-STD-D**

R.FAB/P.N.	296100040	FORMA / SIZE	A3	FEUILLESHEET	1 / 1
		NUMERO DU DOCUMENT / DRAWING NUMBER	900000143	R40	000
				TYPE / PART	06
				VERS	

ingenic®

Comment: Marking according to cabling specification
All conductors must be shielded by TINSEL coiled around silk fiber

DOCUMENT SALEM MONTETEL REPRODUCTION ET DIVULGATION INTERDITES ALL RIGHTS RESERVED. REPRODUCTION AND DISCLOSURE PROHIBITED

Configuration n°3 :

- Communication access: - USB
- Power supply: - Power provided by a Laptop (USB, 5Vdc <-> IPP3x)
- Option Cable: - Ref: IPP3xx-X-XXX-X



Configuration n°4 :

- Communication access: - RS232
- Power supply: - Power supply adapter Type PHIHONG PSC16E-080 (8Vdc <-> IPP3x)
- Option Cable: - Ref: IPP3xx-XX-XXX-X

