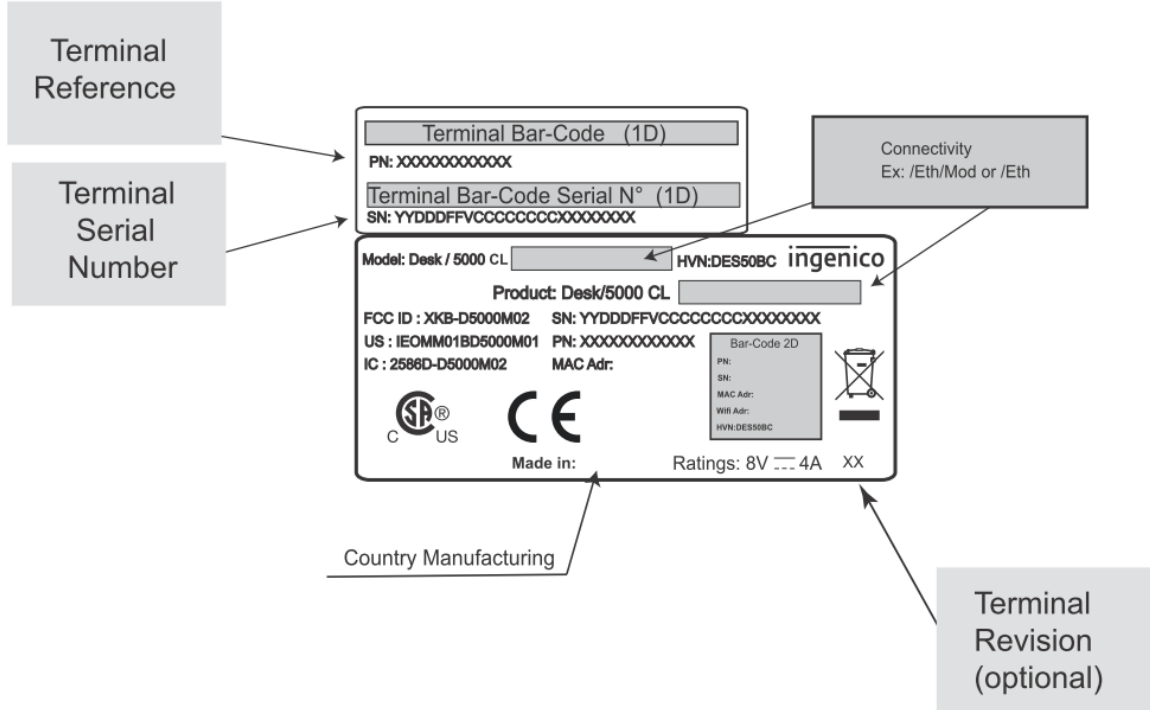


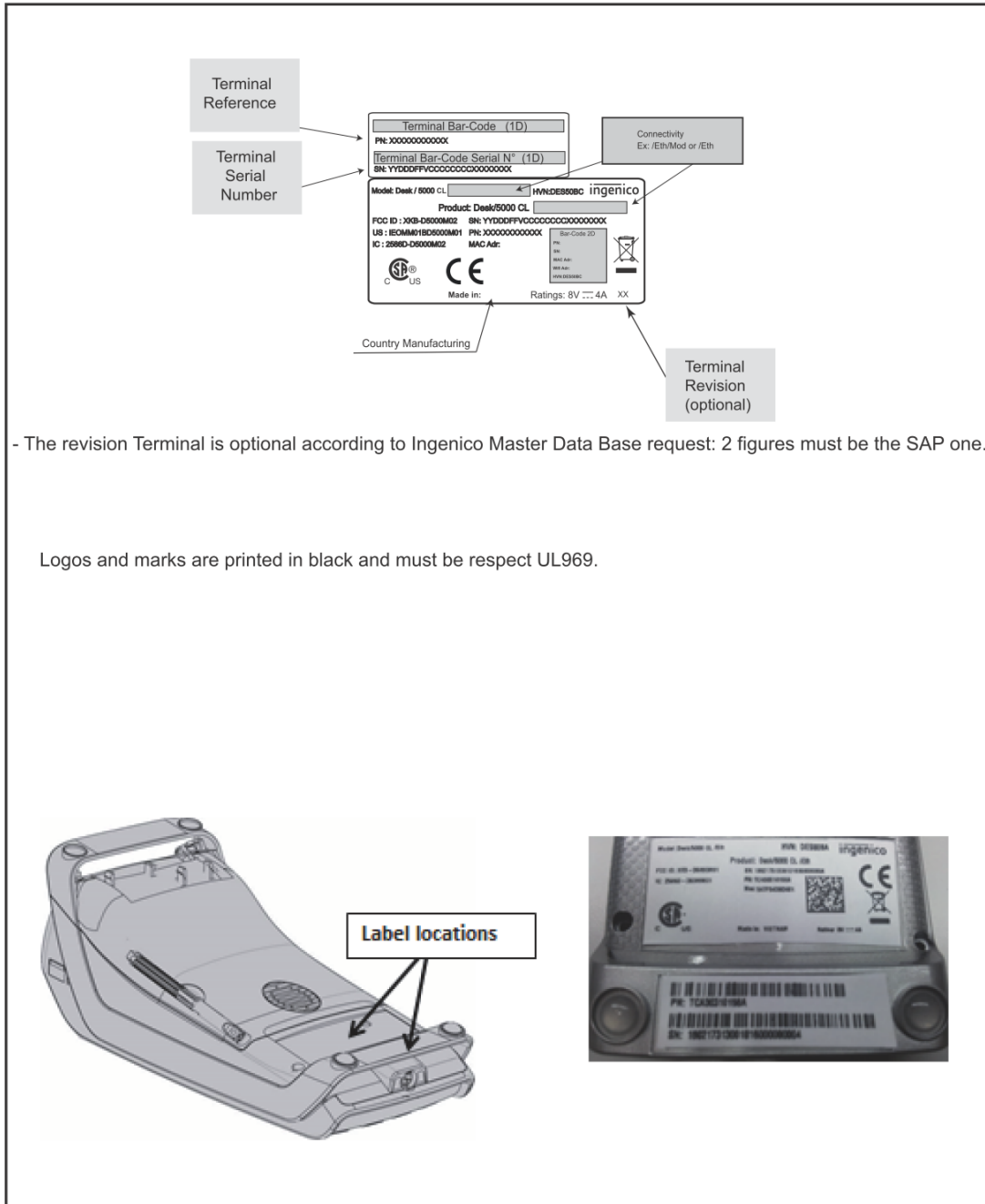


**LCIE SUD EST**  
Laboratoire de Moirans  
Z.I. Centr'Alp  
170, Rue de Chatagnon  
38430 MOIRANS - FRANCE

**PRODUCT LABELING**

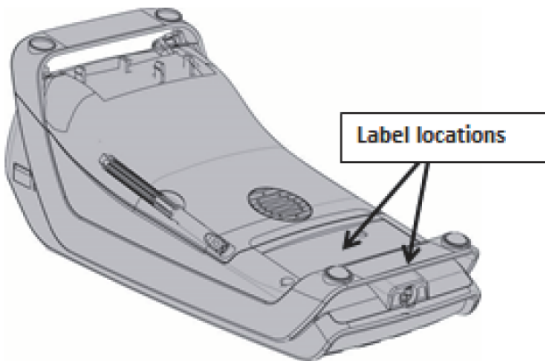
**FCCID: XKB-D5000M02**






- The revision Terminal is optional according to Ingenic Master Data Base request: 2 figures must be the SAP one.

Logos and marks are printed in black and must respect UL969.



Adobe / ILLUSTRATOR					EHELLE SCALE	
ETABLI DRAWN	NOM / NAME	DATE 19/07/2021	VERIFIE CHECKED	NOM / NAME	DATE 19/07/2021	
LIBELLE DENOMINATION ETIQUETTE TERMINAL X03-DES50BC CSA Terminal Label X03-DES50BC CSA					 FEUILLE / SHEET	
R.FAB / P.N.			FORMAT SIZE A4	NUMERO DU DOCUMENT DRAWING NUMBER	R40	000 01
				TYPE	PART	VERS.



**LCIE SUD EST**  
Laboratoire de Moirans  
Z.I. Centr'Alp  
170, Rue de Chatagnon  
38430 MOIRANS - FRANCE

