



**LCIE SUD EST**  
Laboratoire de Moirans  
Z.I. Centr'Alp  
170, Rue de Chatagnon  
38430 MOIRANS - FRANCE

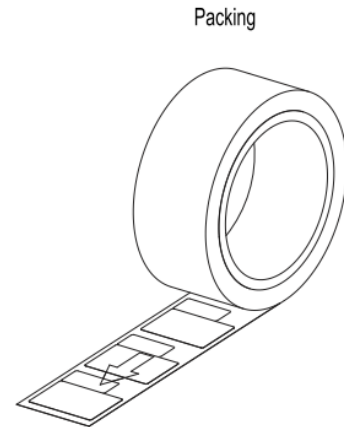
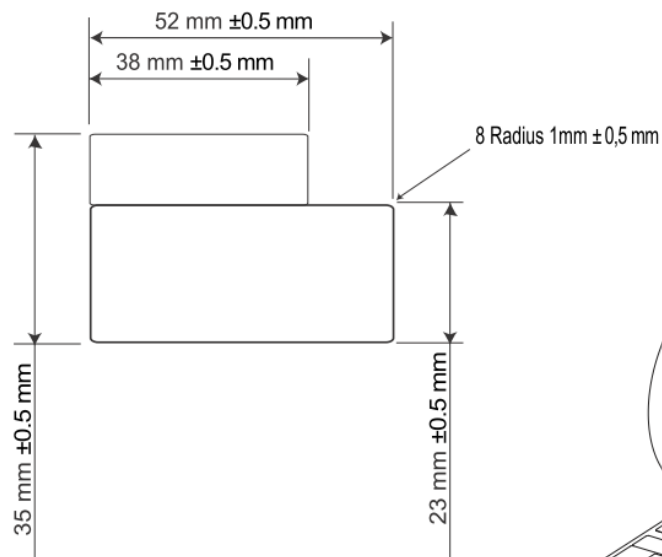
**PRODUCT LABELING**

FCCID: XKB-D5000CLWIBT





**LCIE SUD EST**  
 Laboratoire de Moirans  
 Z.I. Centr'Alp  
 170, Rue de Chatagnon  
 38430 MOIRANS - FRANCE

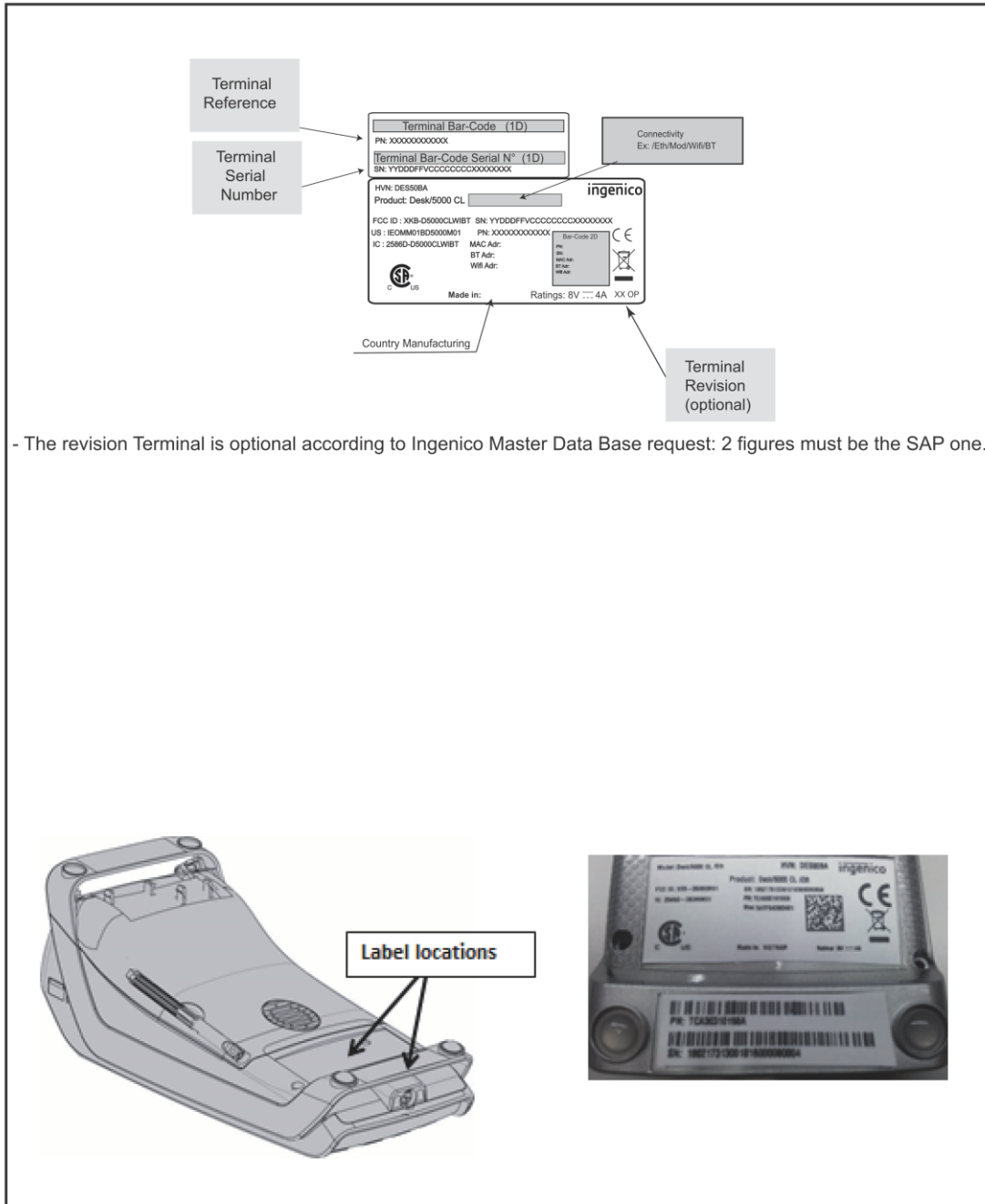


Color: White RAL9010  
 Adhésive one side: permanent UL969 certified  
 Material: Vynil or Polyester, thickness 50 to 100µm UL969 certified

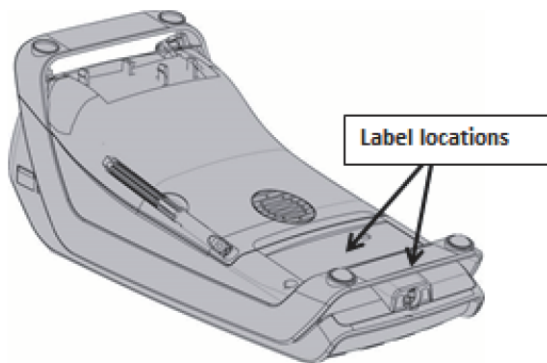
Adobe / ILLUSTRATOR						EHELLE SCALE	
ETABLI DRAWN	NOM / NAME Bernard MAURICE	DATE 03/01/2014	VERIFIE CHECKED	NOM / NAME Jean-Louis VINET	DATE 03/01/2014		
LIBELLE DENOMINATION ETIQUETTE TERMINAL VIERGE X03 Terminal Label blanked X03							
R.FAB / P.N. 296167945**					FEUILLE / SHEET 1/1		
FORMAT SIZE A4		900015905		R40	000	01	
		NUMERO DU DOCUMENT DRAWING NUMBER		TYPE	PART	VERS.	

DOCUMENT INGENICO REPRODUCTION ET DIVULGATION INTERDITES

ALL RIGHTS RESERVED REPRODUCTION AND DISCLOSURE PROHIBITED



- The revision Terminal is optional according to Ingenico Master Data Base request: 2 figures must be the SAP one.



Adobe / ILLUSTRATOR					EHELLE SCALE	
ETABLI DRAWN	NOM / NAME Bernard MAURICE	DATE 23/09/2016	VERIFIE CHECKED	NOM / NAME Fabrice FLEURY	DATE 23/09/2016	
LIBELLE DENOMINATION ETIQUETTE TERM X03-DES50BA OPWBT NAR Terminal Label X03-DES50BA OPWBT NAR					ingenico GROUP	
R.FAB / P.N. 296213838**					FEUILLE / SHEET	
FORMAT SIZE A4		NUMERO DU DOCUMENT DRAWING NUMBER 900027843		TYPE R40	PART 000	VERS. 01