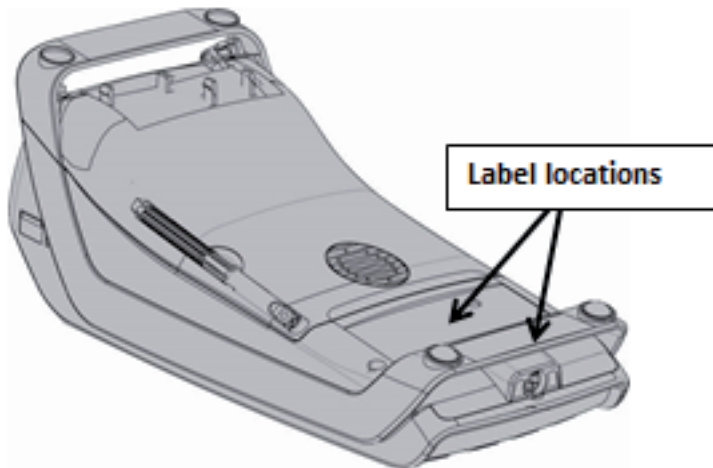


- The revision Terminal is optional according to Ingenic Master Data Base request: 2 figures must be the SAP one.



Adobe / ILLUSTRATOR						ECHELLE SCALE		
ETABLI DRAWN		DATE	VERIFIE CHECKED			DATE		
LIBELLE DENOMINATION Terminal Label - XKB-D3500CLWIV2								
					FEUILLE / SHEET			
R.FAB / P.N.			FORMAT SIZE A4			R40	000	02
				NUMERO DU DOCUMENT DRAWING NUMBER		TYPE	PART	VERS.