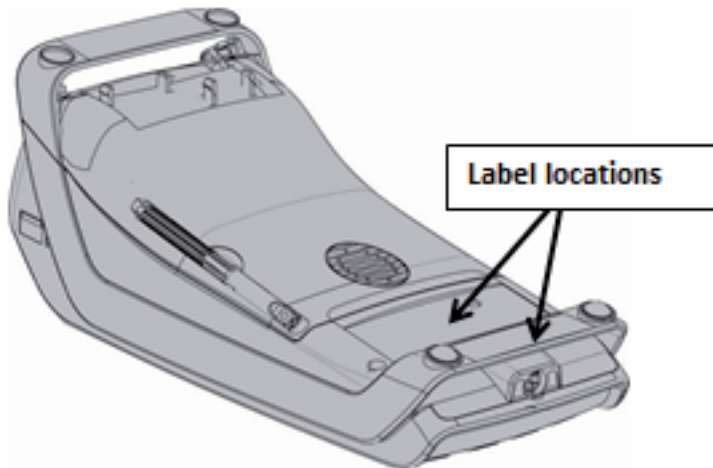


- The revision Terminal is optional according to Ingenic Master Data Base request: 2 figures must be the SAP one.



| | | | | | | | | | |
|-------------------------------------------------------------------------------------------------|-------------------------------|--------------------|--------------------|---------------------------|--------------------------------------|------------------|------|------|-------|
| Adobe / ILLUSTRATOR | | | | | | ECHELLE SCALE | | | |
| ETABLI DRAWN | NOM / NAME Bernard MAURICE | DATE 05/10/2017 | VERIFIE CHECKED | NOM / NAME Eric BONNET | DATE 05/10/2017 | | | | |
| LIBELLE DENOMINATION ETIQUETTE TERMINAL X03-DES35BB NAR Terminal Label X03-DES35BB NAR | | | | | | | | | |
| R.FAB / P.N. 296224485** | | | | | FORMAT SIZE A4 | 900030878 | R40 | 000 | 02 |
| | | | | | NUMERO DU DOCUMENT DRAWING NUMBER | | TYPE | PART | VERS. |