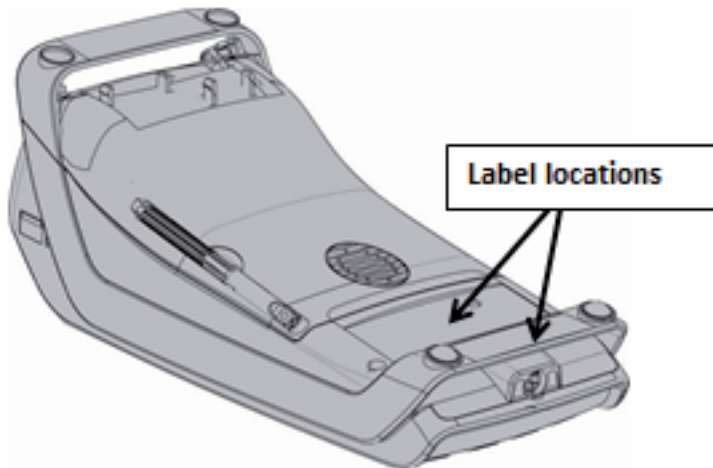


- The revision Terminal is optional according to Ingenico Master Data Base request: 2 figures must be the SAP one.



Adobe / ILLUSTRATOR						ECHELLE SCALE	
ETABLI DRAWN	DATE	VERIFIE CHECKED	DATE				
LIBELLE DENOMINATION							
Terminal Label - XKB-D3500CLV2							
R.FAB / P.N.						FEUILLE / SHEET	
				FORMAT SIZE A4	R40	000	02
				DRAWING NUMBER	TYPE	PART	VERS.