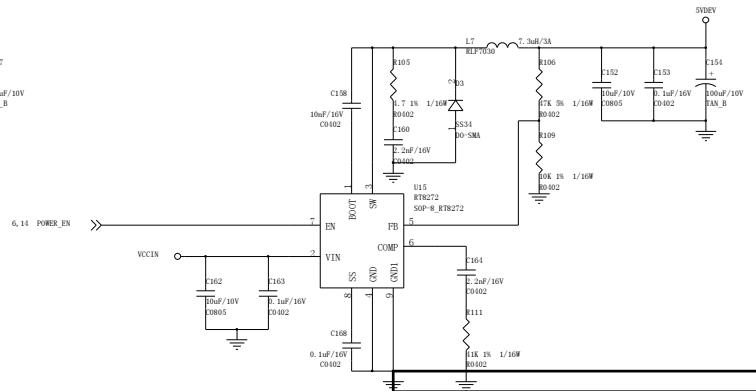
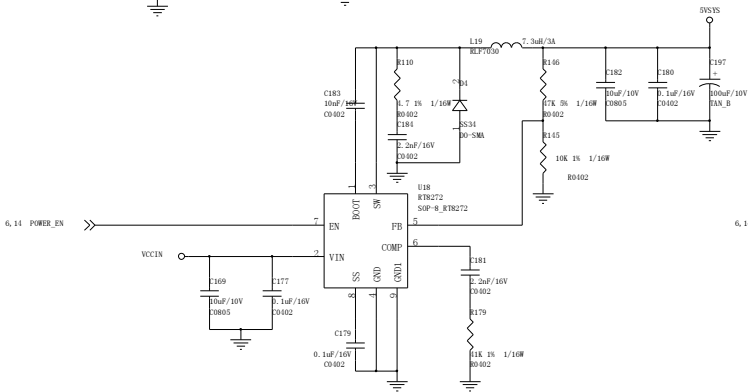
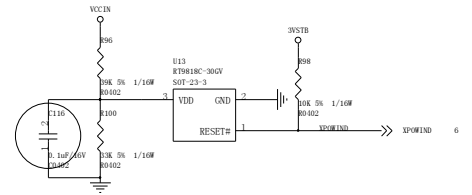
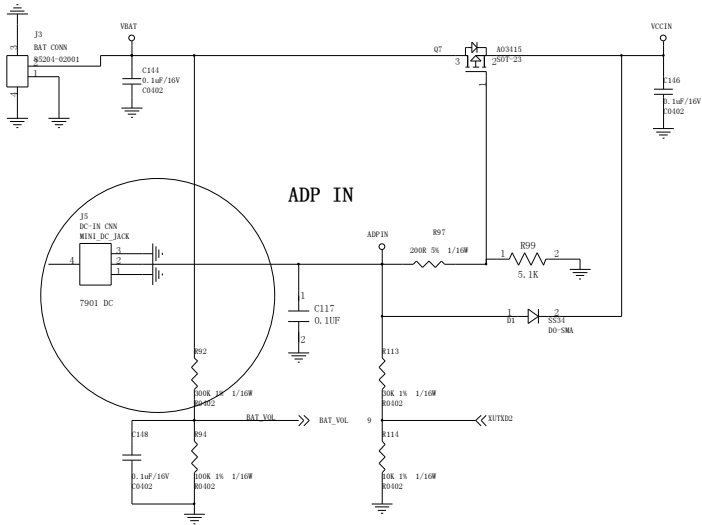
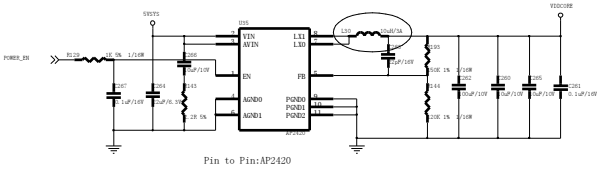
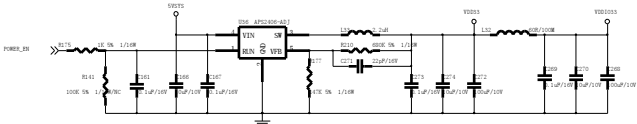


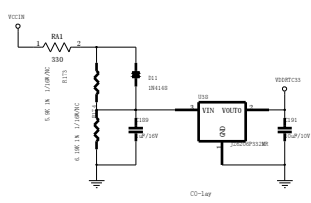
BAT IN



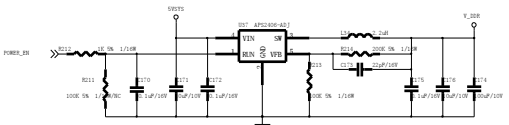


$V_{out} = 0.6 * (1 + R1/R2)$
 $0.6 * (1 + 150K/120K) = 1.35V @ 2A$

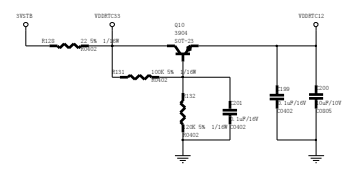
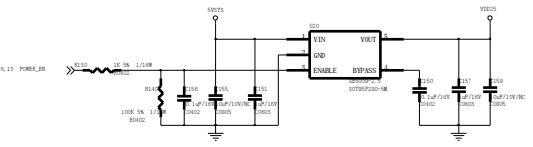
Pin to Pin: AP2420

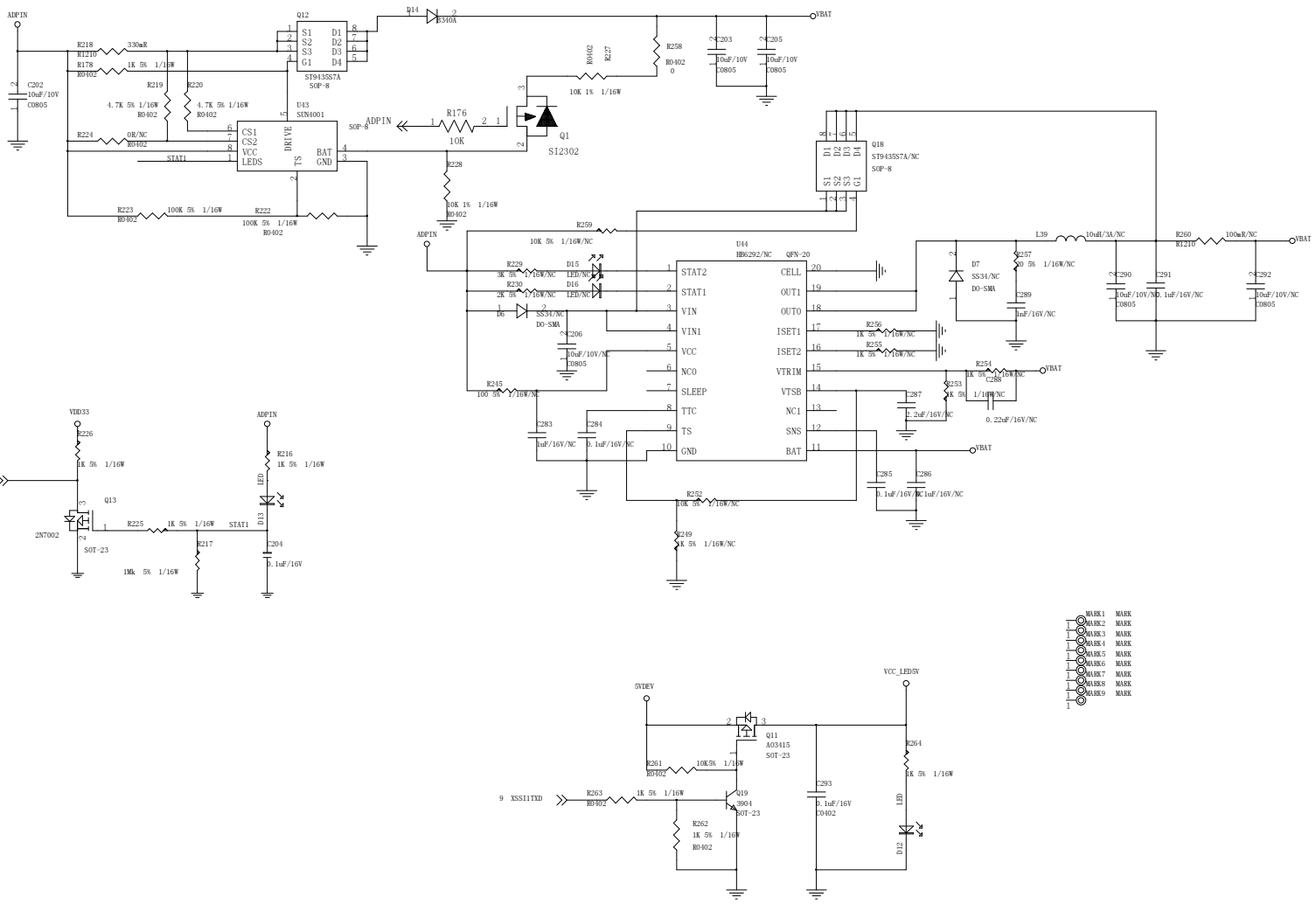


CD-Layer

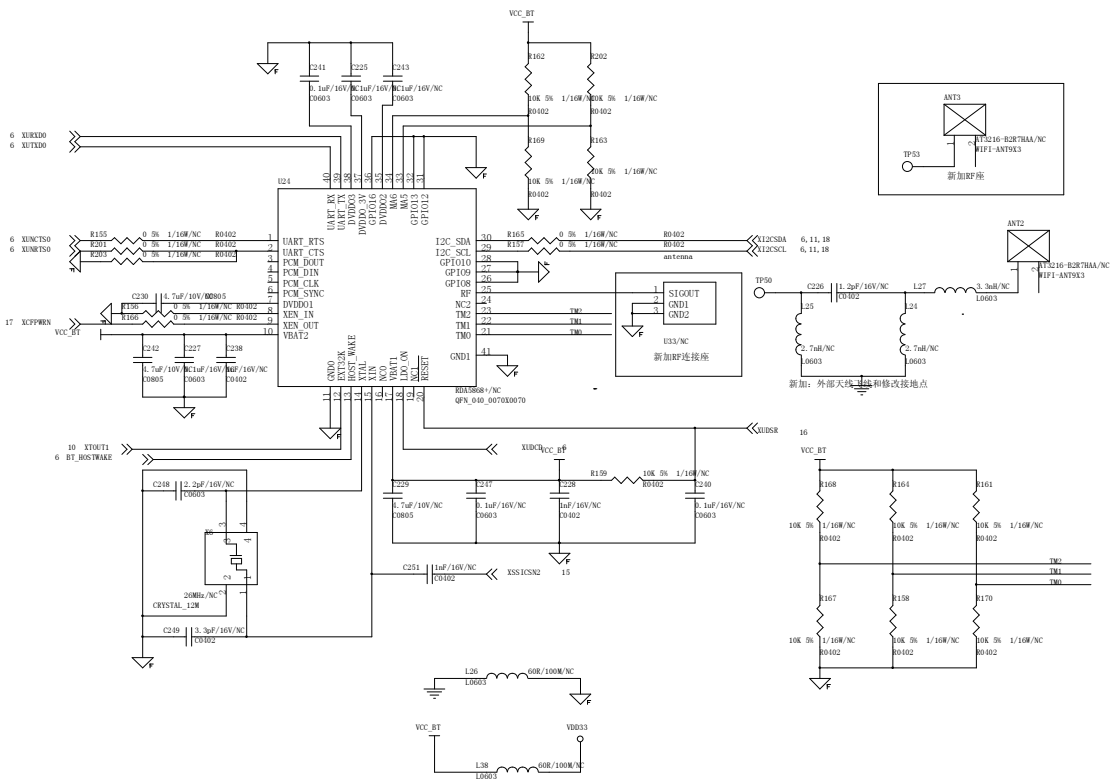


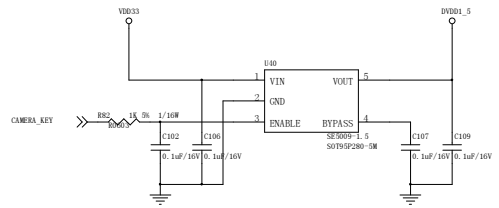
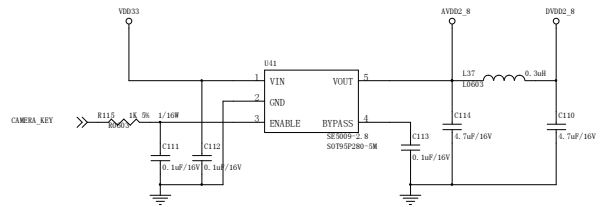
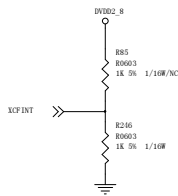
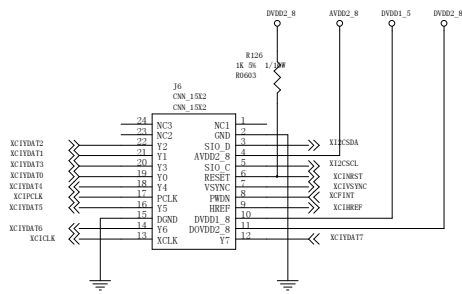
$V_{out} = 0.6 * (1 + R1/R2)$
 $0.6 * (1 + 200K/100K) = 1.8V @ 600mA$

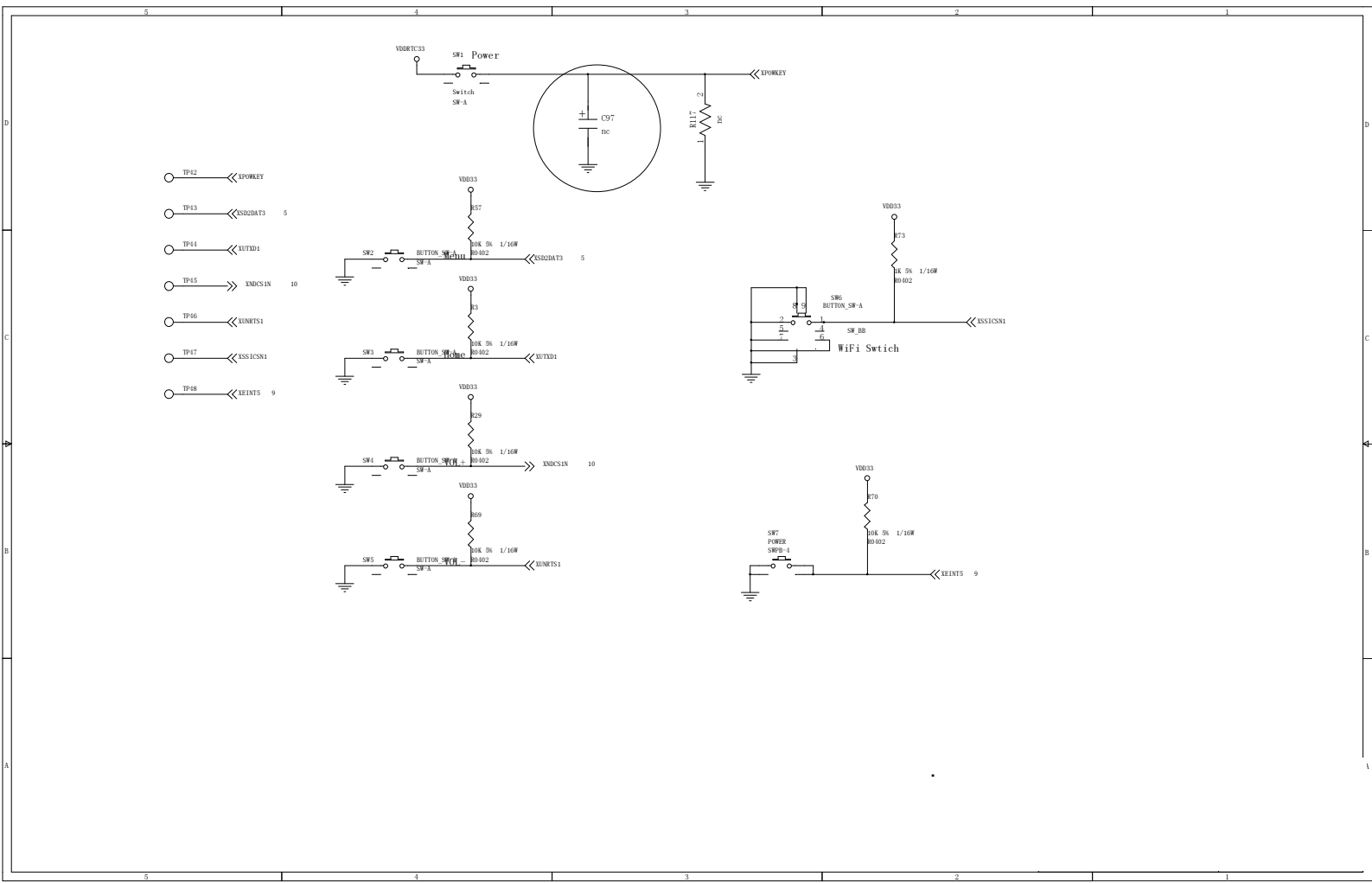


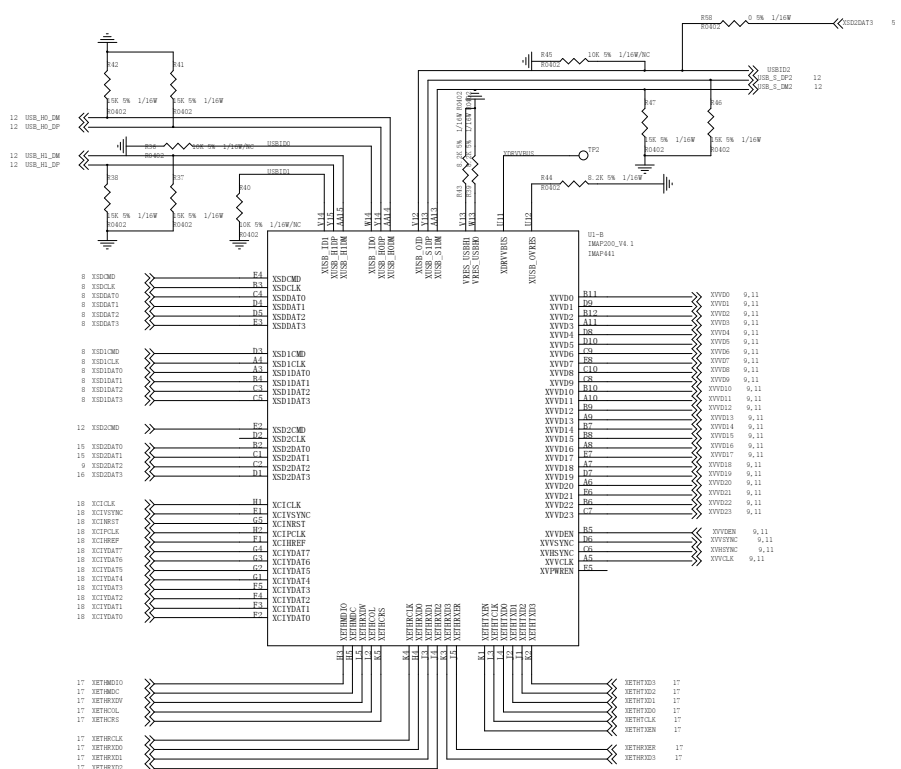


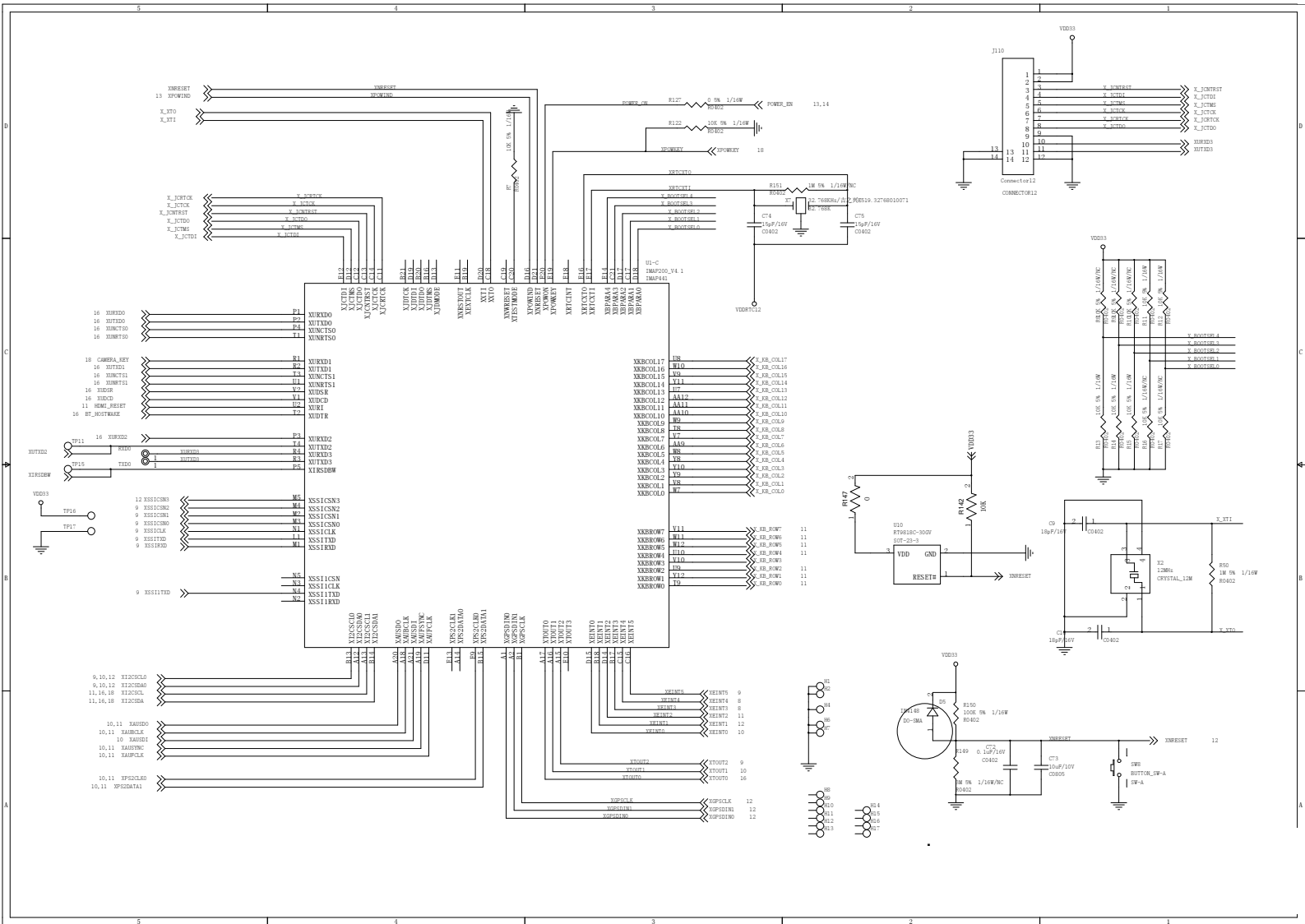
- 1 MAX981
- 2 MAX982
- 3 MAX983
- 4 MAX984
- 5 MAX985
- 6 MAX986
- 7 MAX987
- 8 MAX988
- 9 MAX989

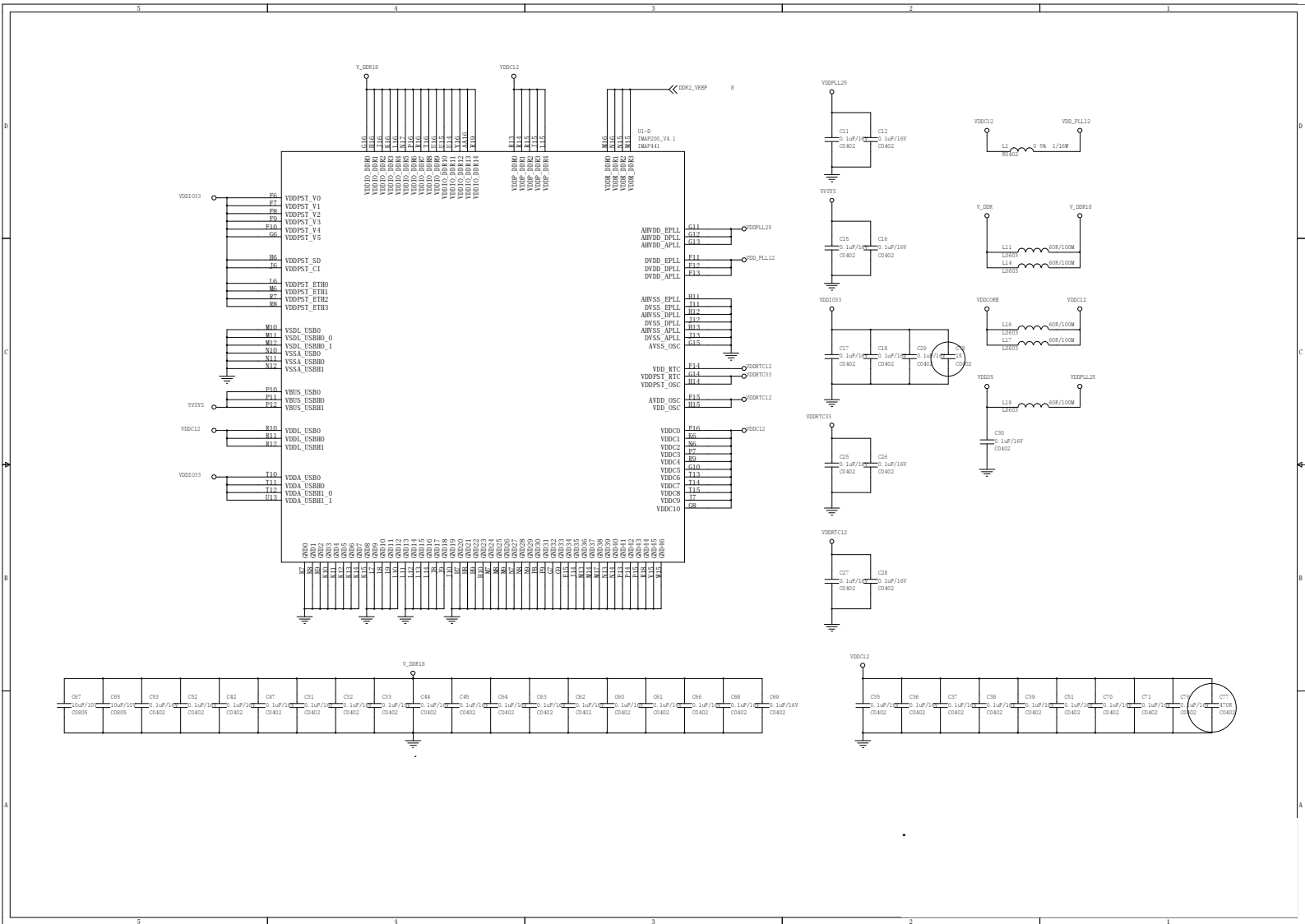


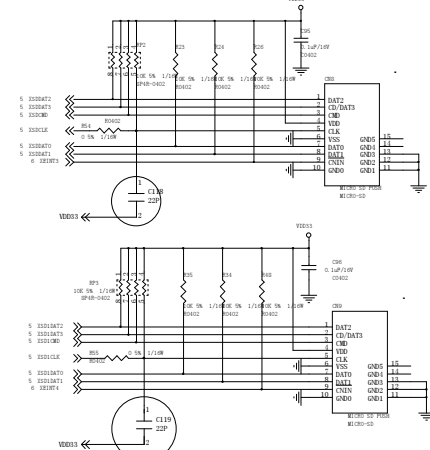
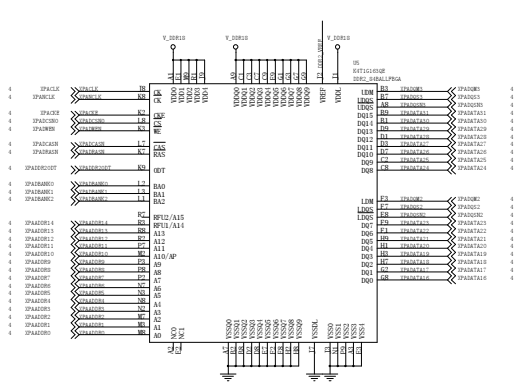
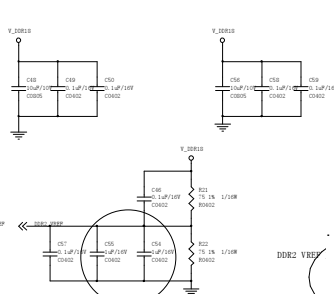
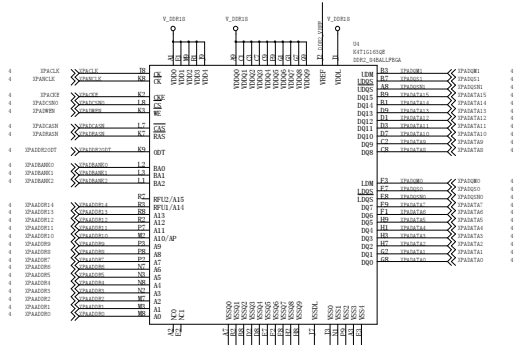


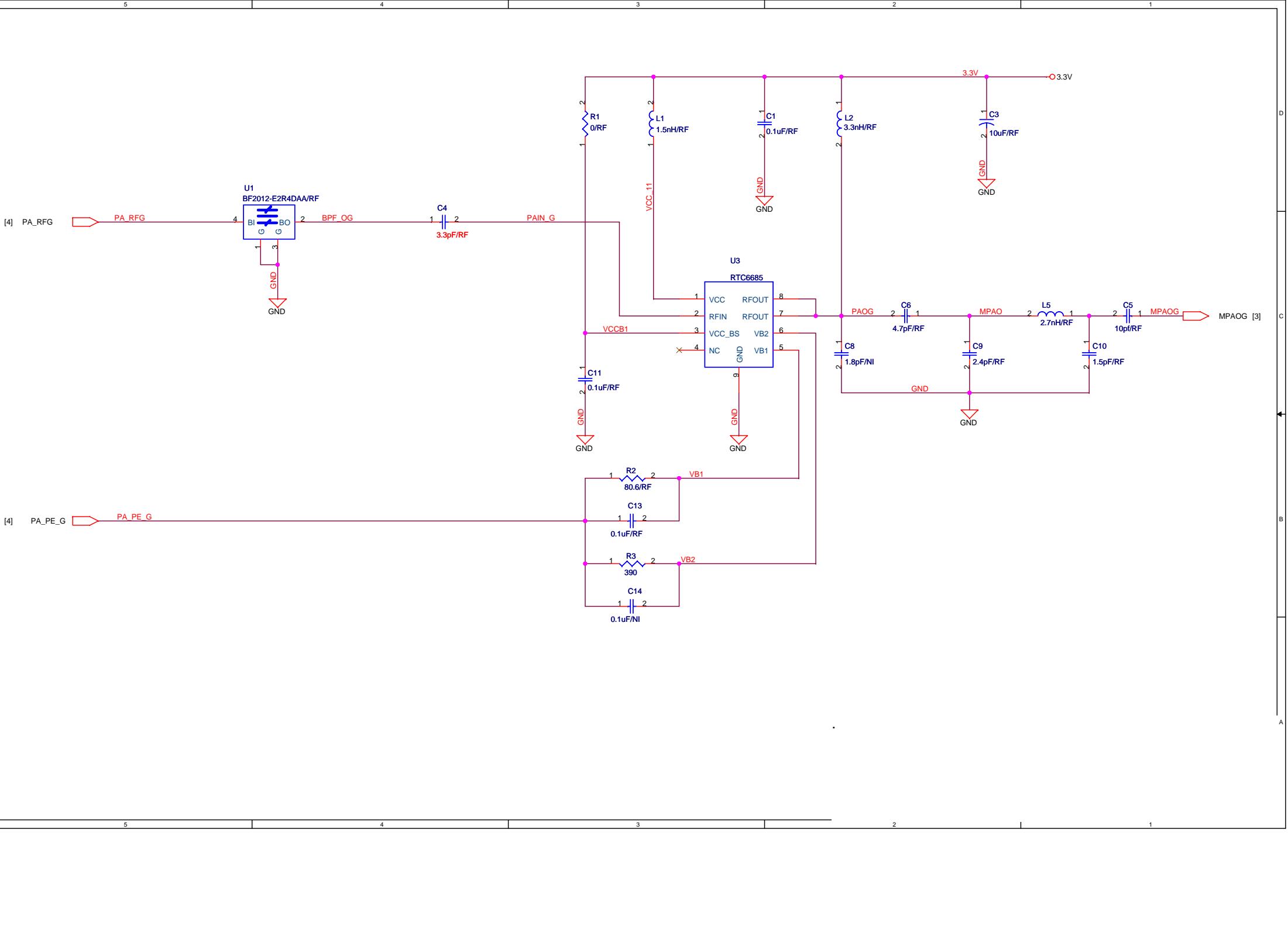












(ANTENNA0)
(TX0/RX0)

