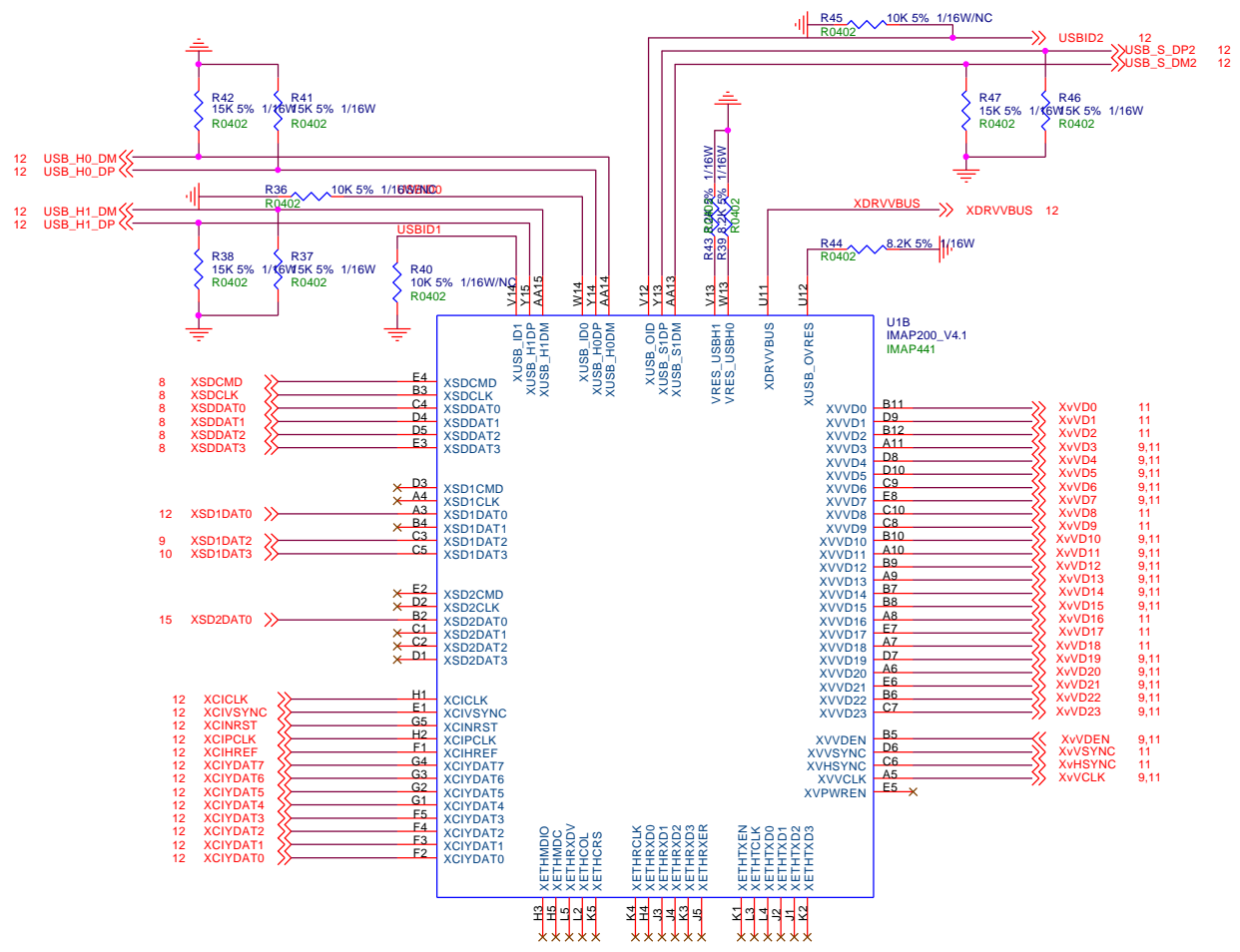
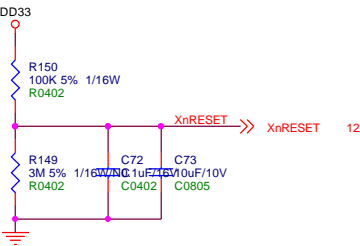
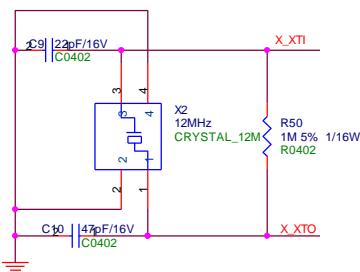
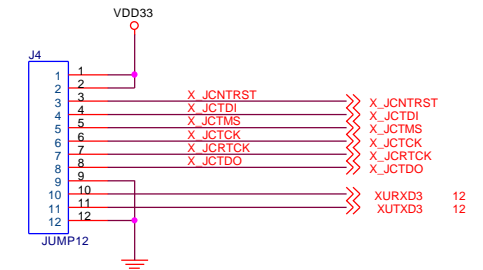
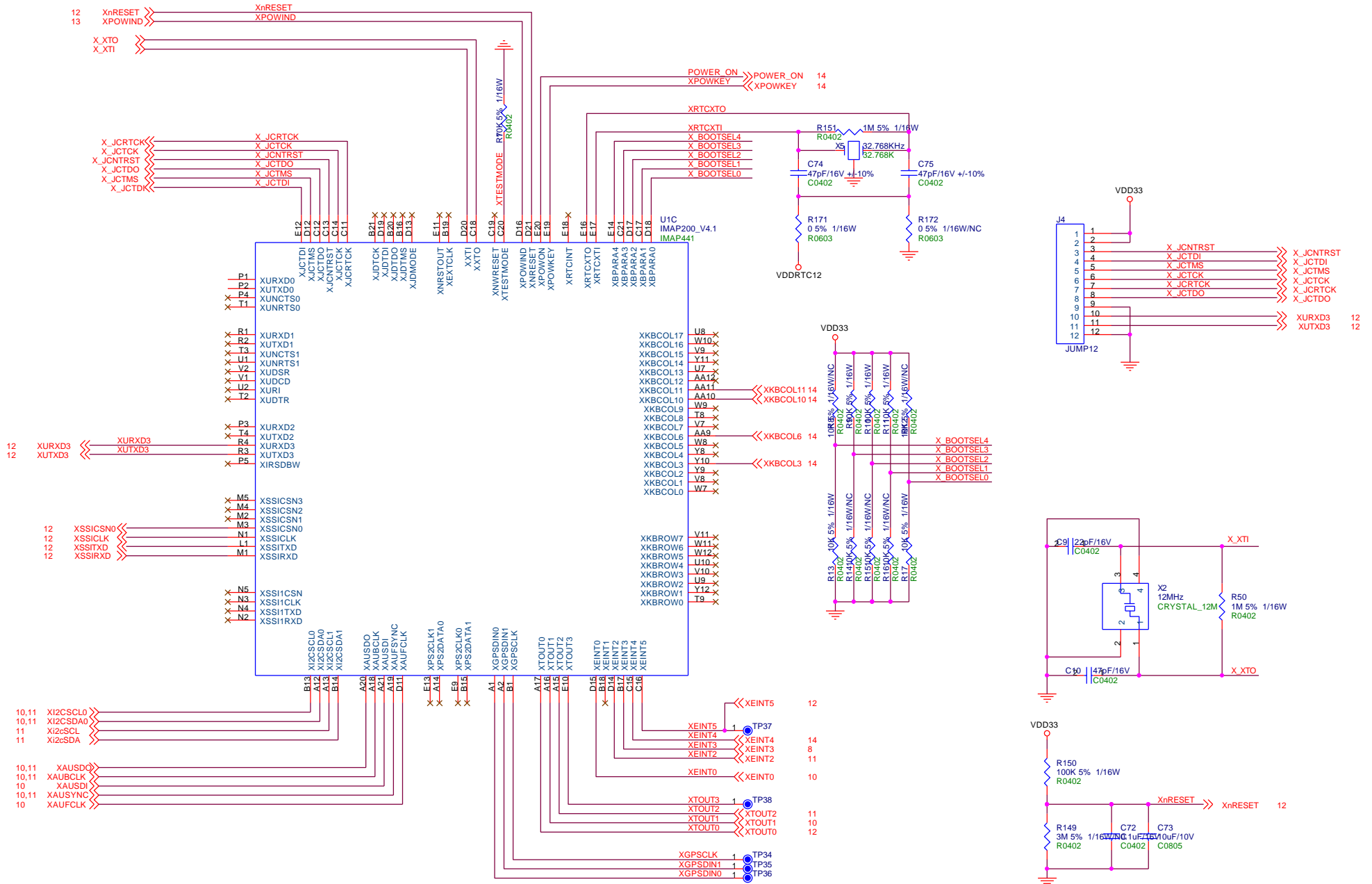


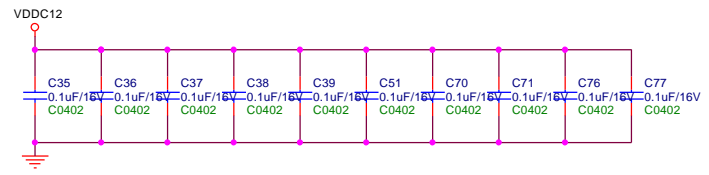
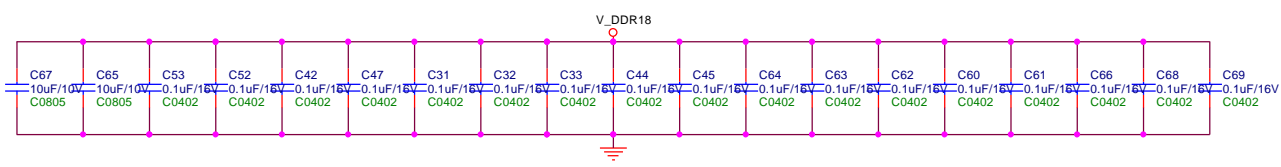
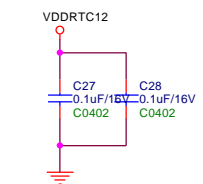
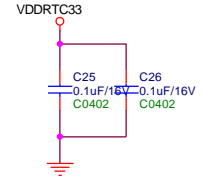
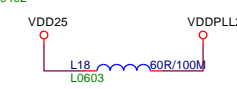
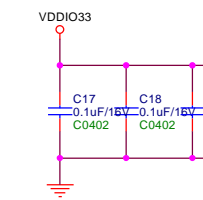
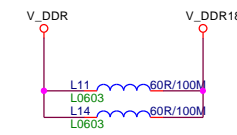
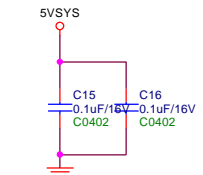
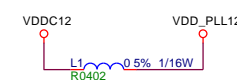
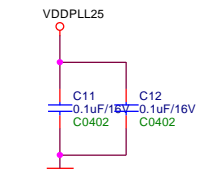
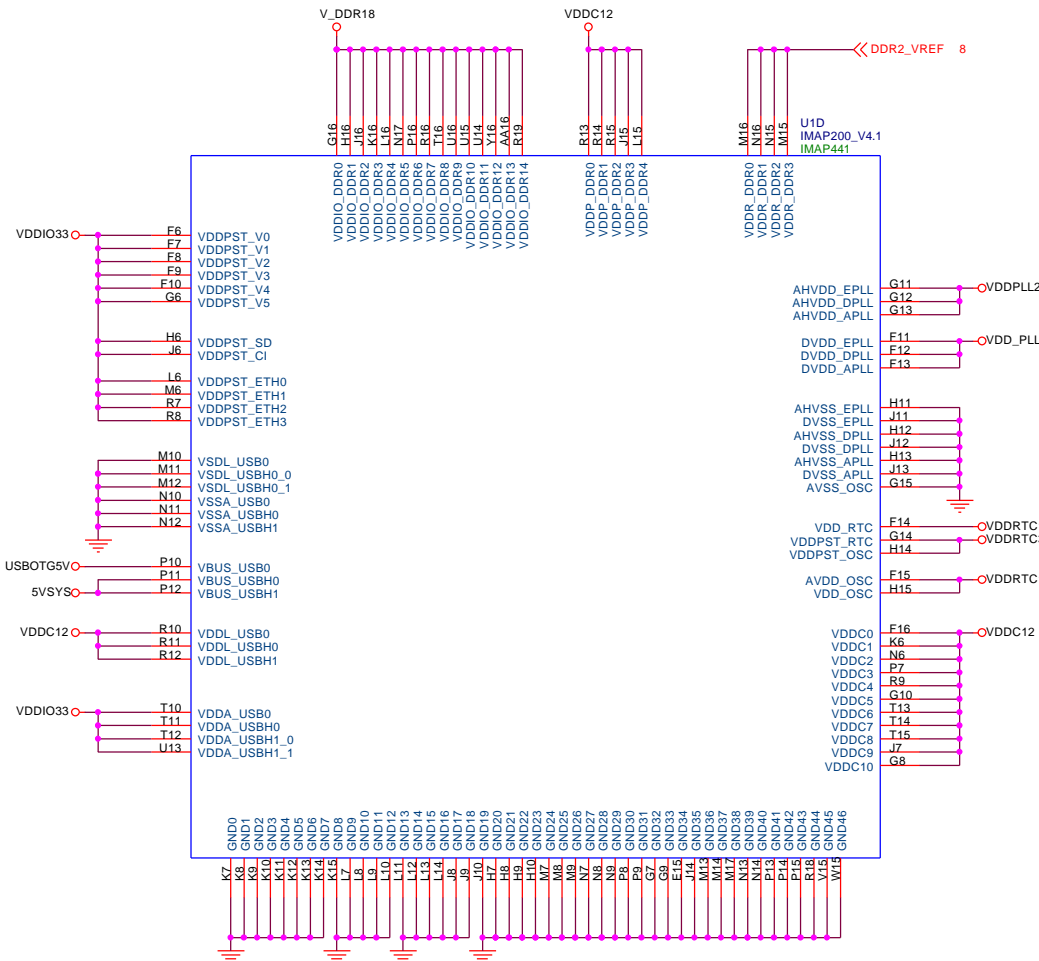
Title		
INFOTM IX200 MOBILE INTERNET DEVICE		
Size	Document Number	Rev
A3	IMAP_DDR2_IDE	0A
Date:	Tuesday, July 20, 2010	Sheet 4 of 15



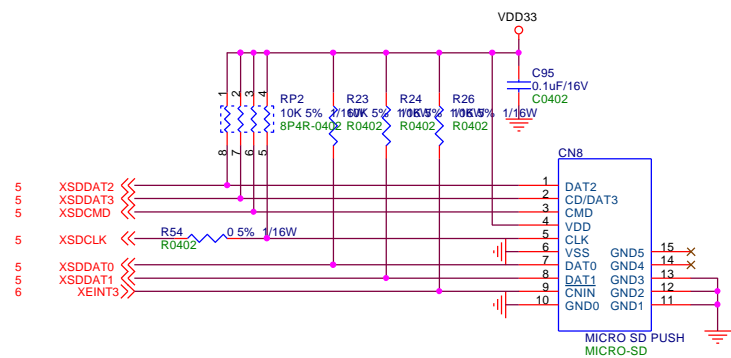
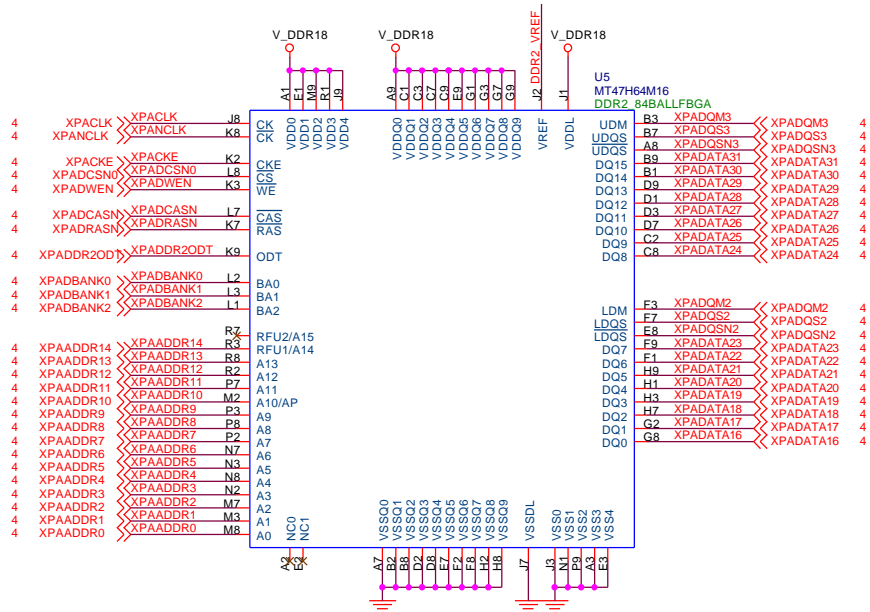
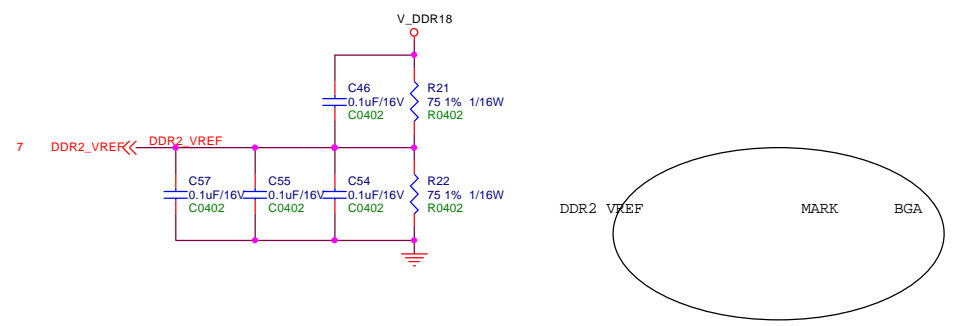
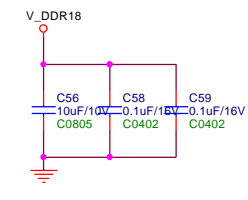
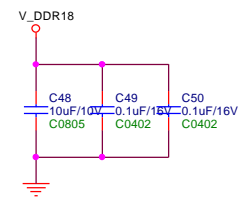
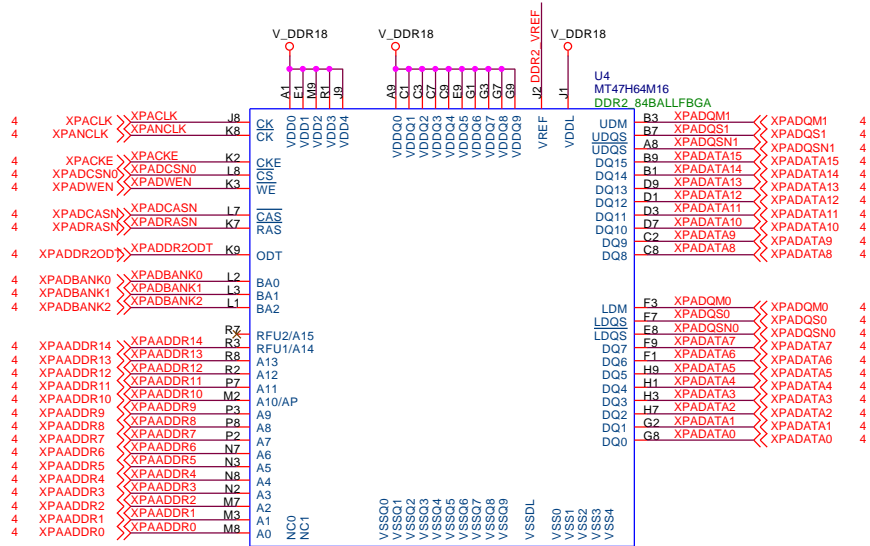
Title		
INFOTM IX200 MOBILE INTERNET DEVICE		
Size	Document Number	Rev
A3	IMAP_LCD/USB/CI/SD/ETH	0A
Date:	Tuesday, July 20, 2010	Sheet 5 of 15



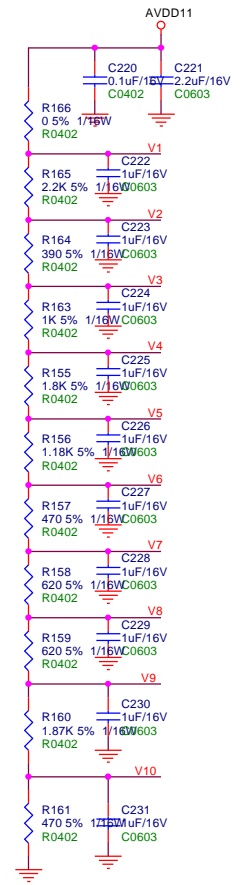
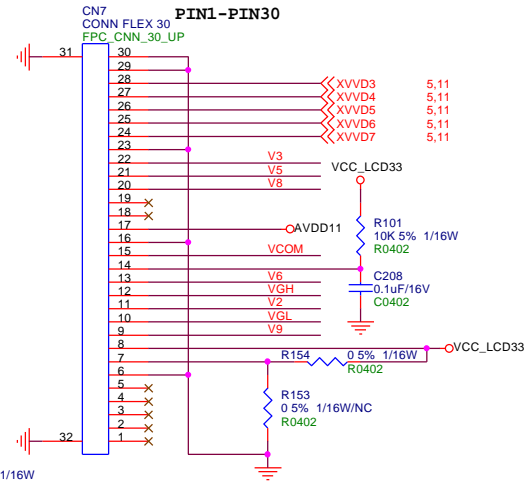
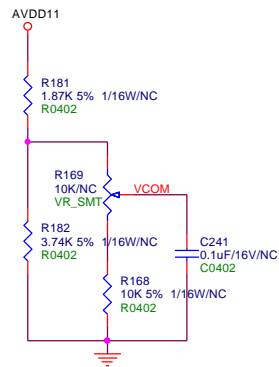
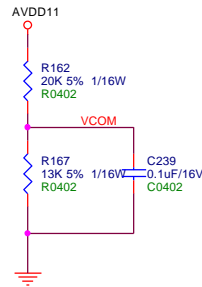
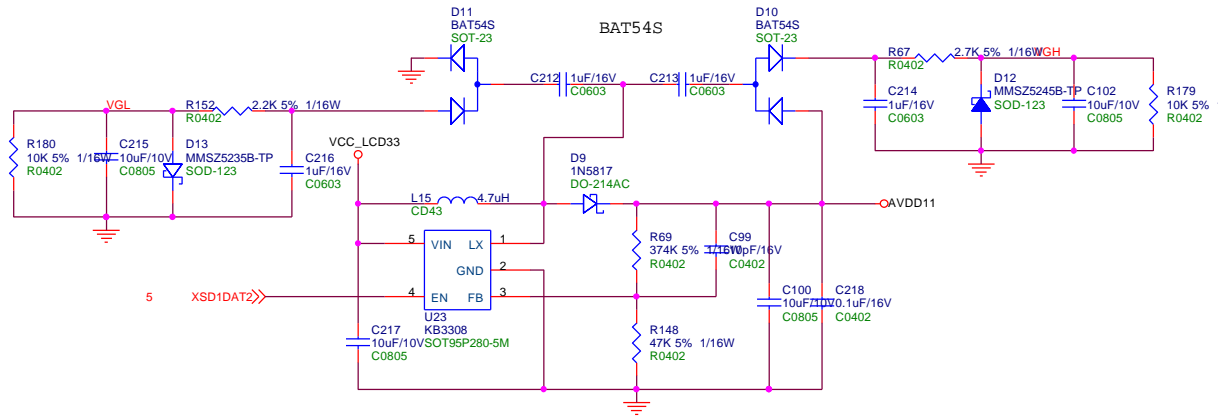
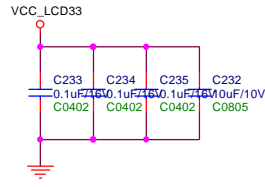
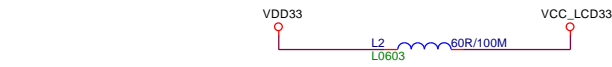
Title		
INFOTM IX200 MOBILE INTERNET DEVICE		
Size	Document Number	Rev
A3	IMAP_KB SSI UART GPS	0A
Date:	Tuesday, July 20, 2010	Sheet 6 of 15



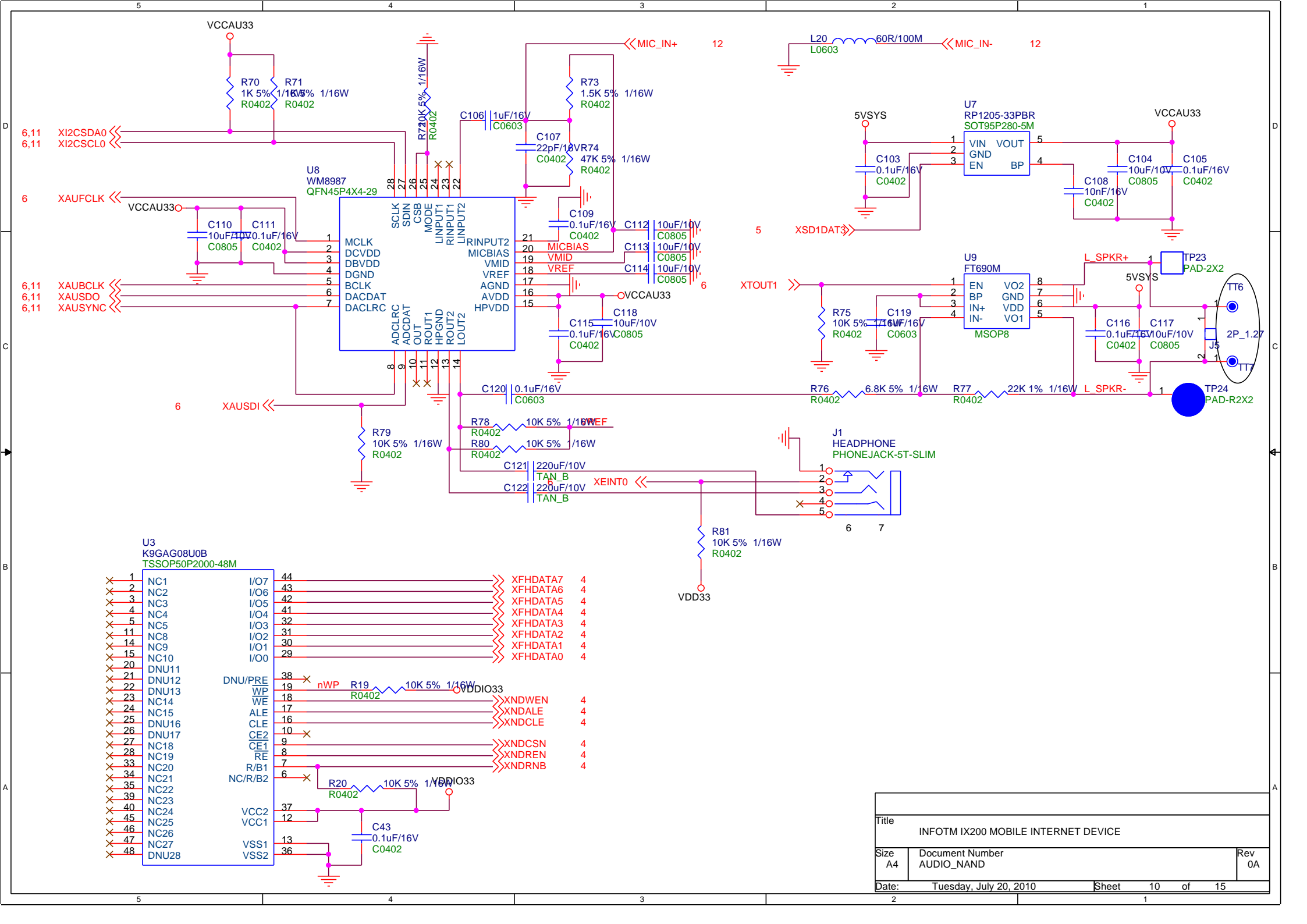
Title		
INFOTM IX200 MOBILE INTERNET DEVICE		
Size	Document Number	Rev
A3	IMAP_POWER_GND	0A
Date:	Tuesday, July 20, 2010	Sheet 7 of 15



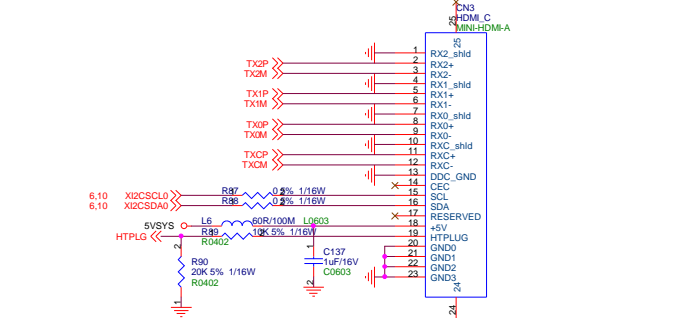
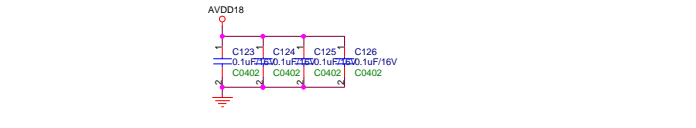
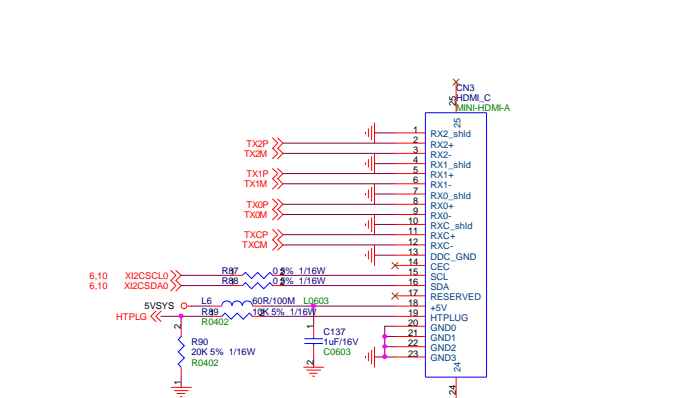
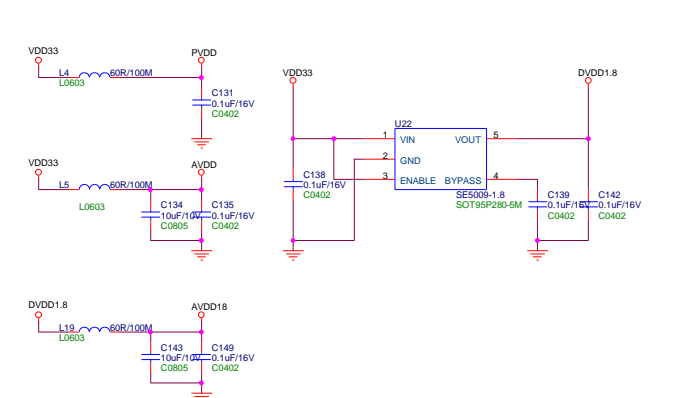
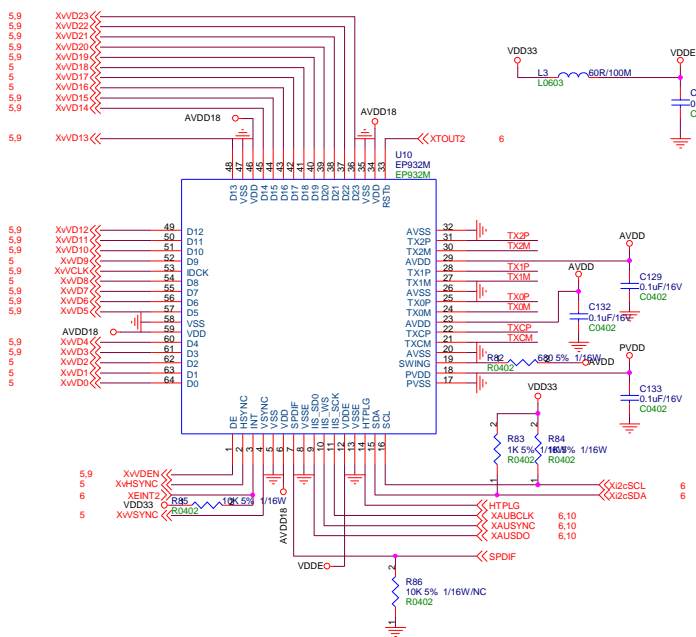
Title		
INFOTM IX200 MOBILE INTERNET DEVICE		
Size	Document Number	Rev
A3	DDR2_MICRO SD	0A
Date:	Tuesday, July 20, 2010	Sheet 8 of 15

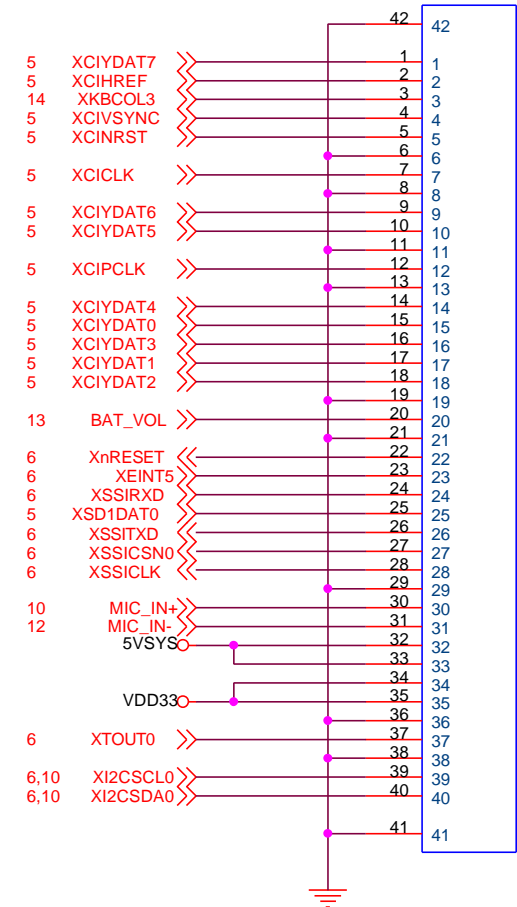


Title		
INFOTM IX200 MOBILE INTERNET DEVICE		
Size	Document Number	Rev
A3	LCD	0A
Date:	Tuesday, July 20, 2010	Sheet 9 of 15

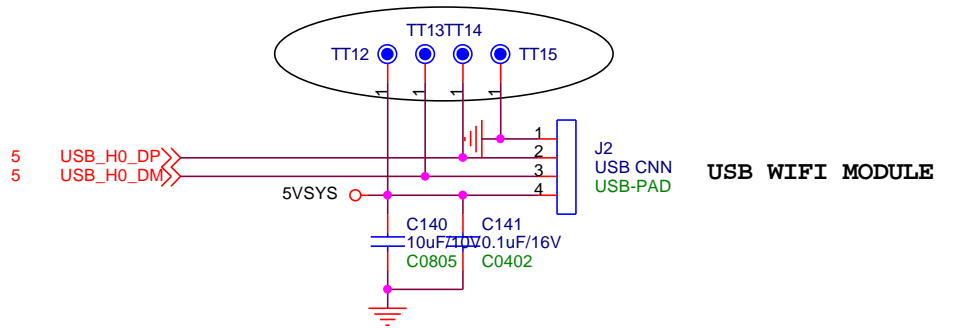
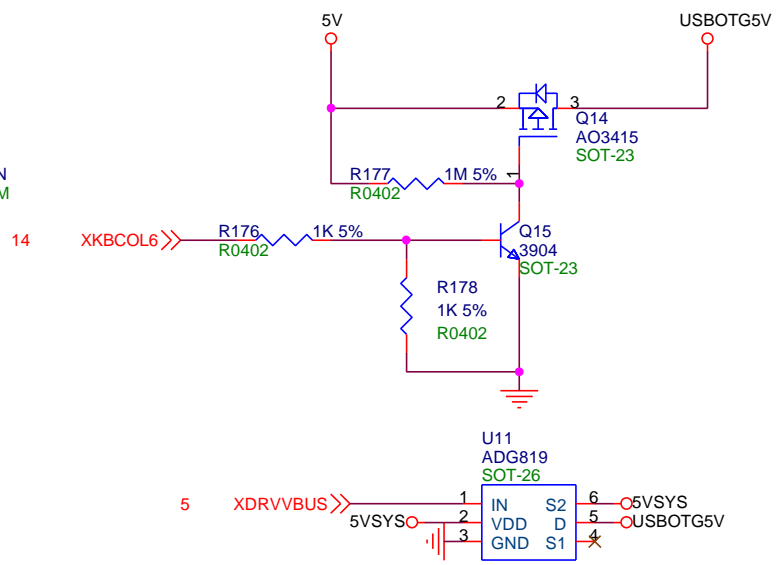


Title		
INFOTM IX200 MOBILE INTERNET DEVICE		
Size	Document Number	Rev
A4	AUDIO_NAND	0A
Date:	Tuesday, July 20, 2010	Sheet 10 of 15

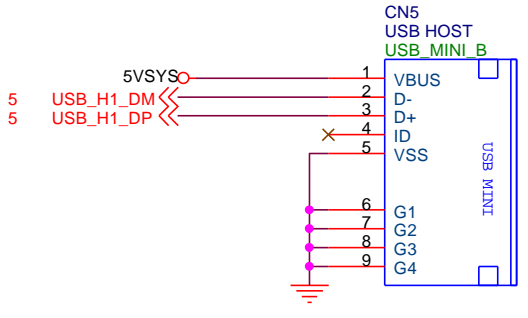




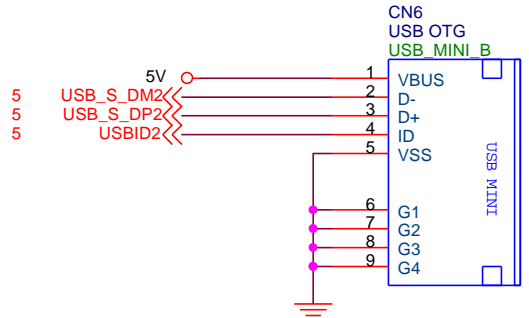
CN9
30PIN CNN
FPC50-40M



USB WIFI MODULE

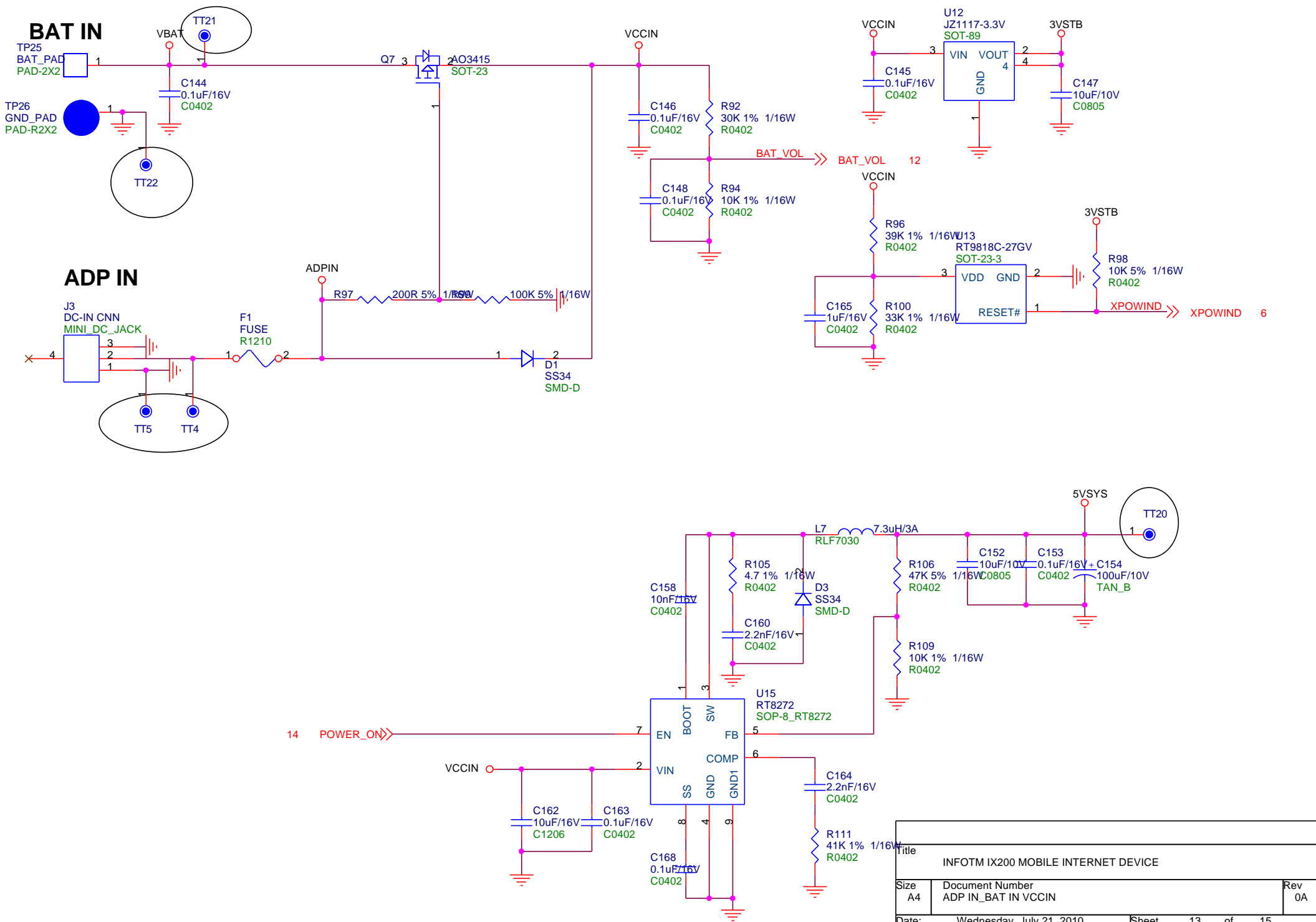


CN5
USB HOST
USB_MINI_B

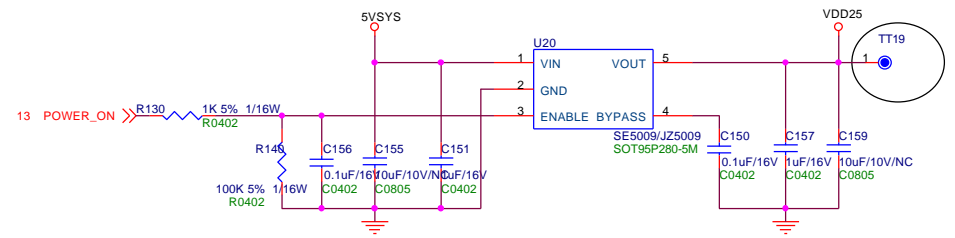
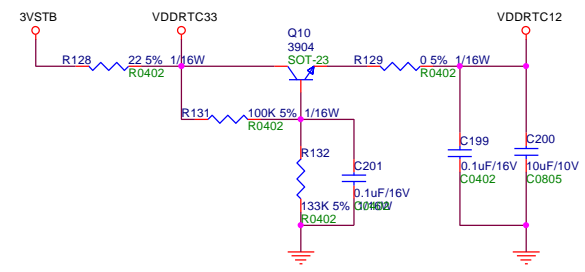
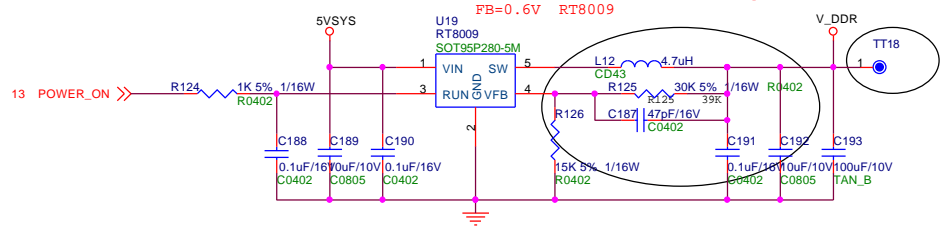
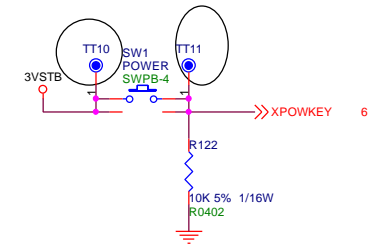
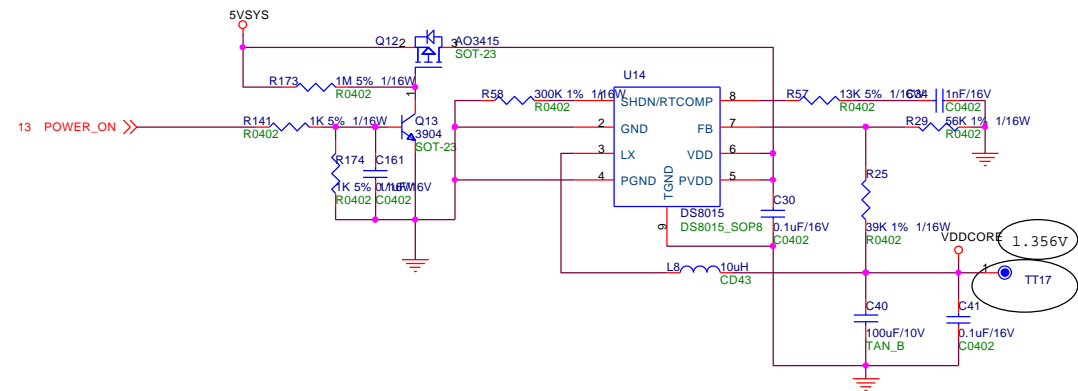
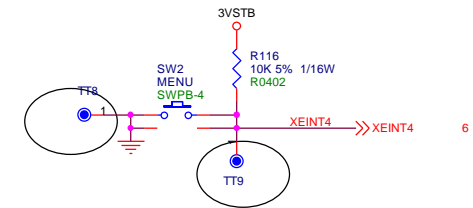
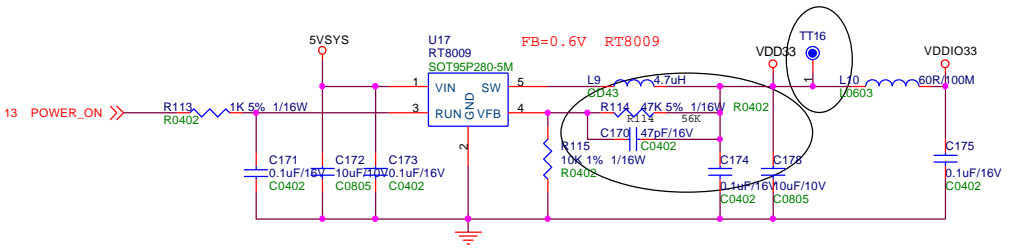


CN6
USB OTG
USB_MINI_B

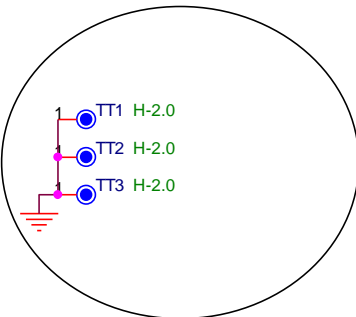
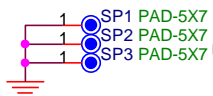
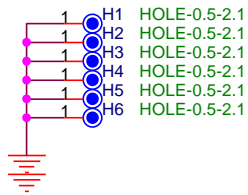
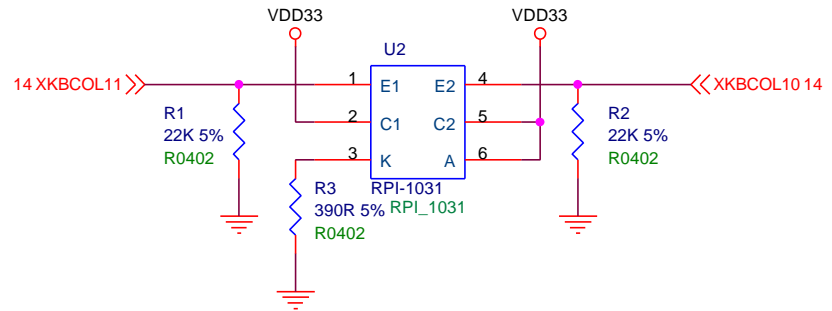
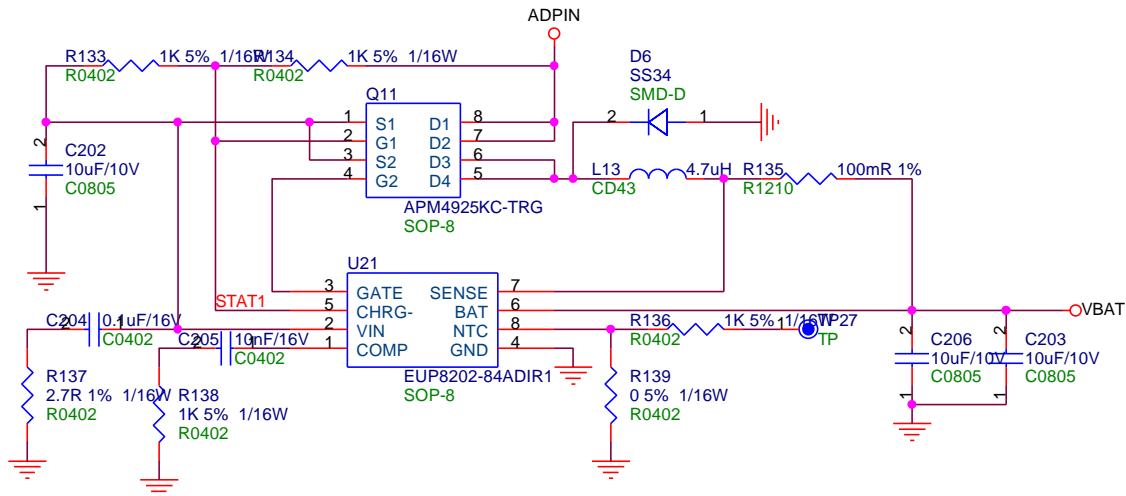
Title		
INFOTM IX200 MOBILE INTERNET DEVICE		
Size	Document Number	Rev
A4	BL BOARD CNN_USB	0A
Date:	Tuesday, July 20, 2010	Sheet 12 of 15



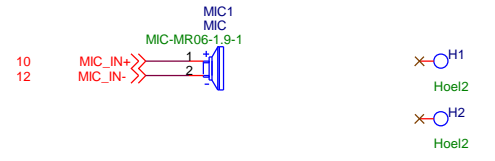
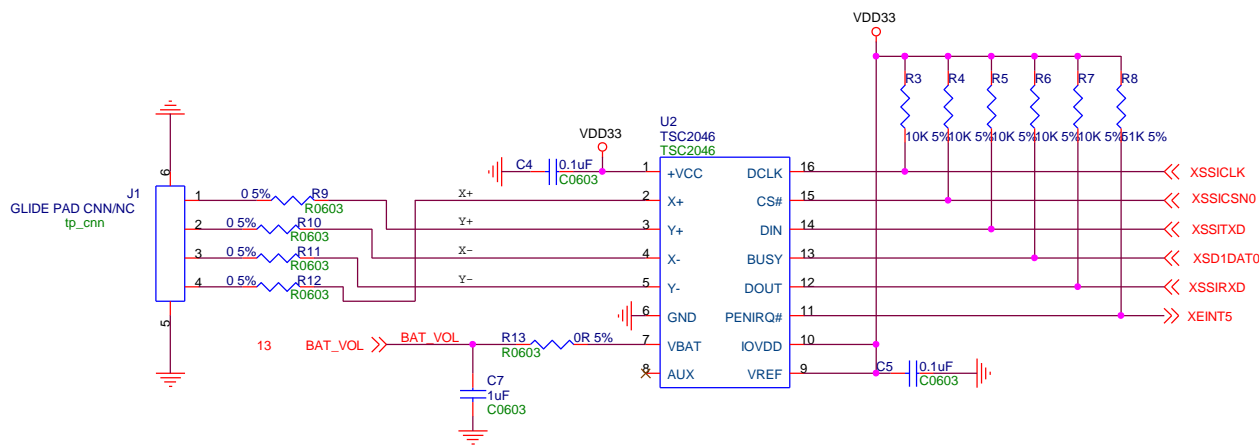
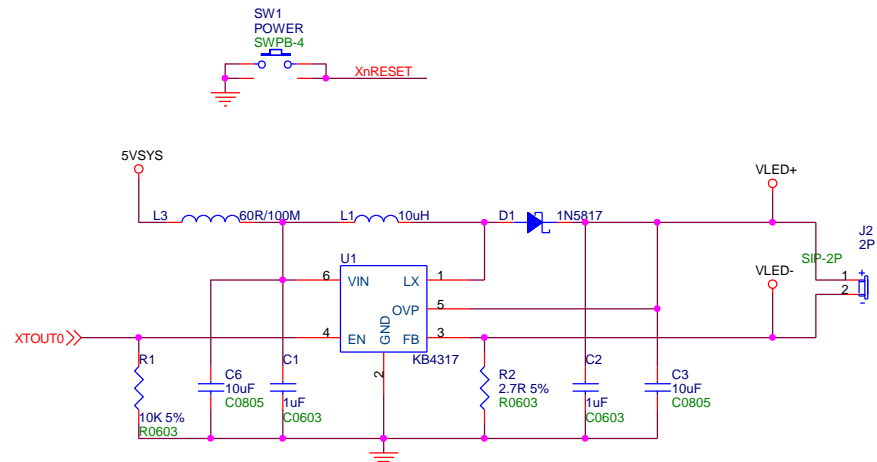
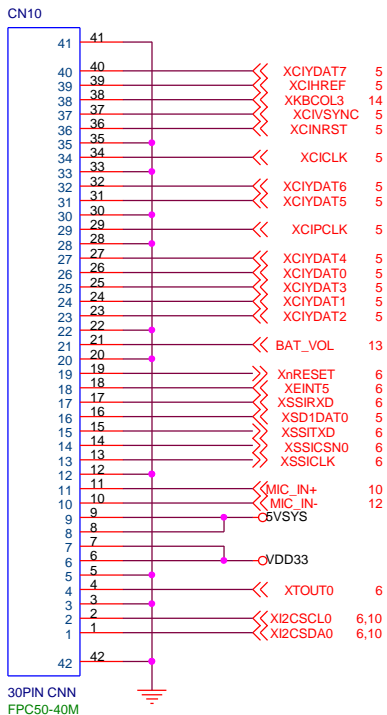
Title		
INFOTM IX200 MOBILE INTERNET DEVICE		
Size	Document Number	Rev
A4	ADP IN_BAT IN VCCIN	0A
Date:	Wednesday, July 21, 2010	Sheet 13 of 15



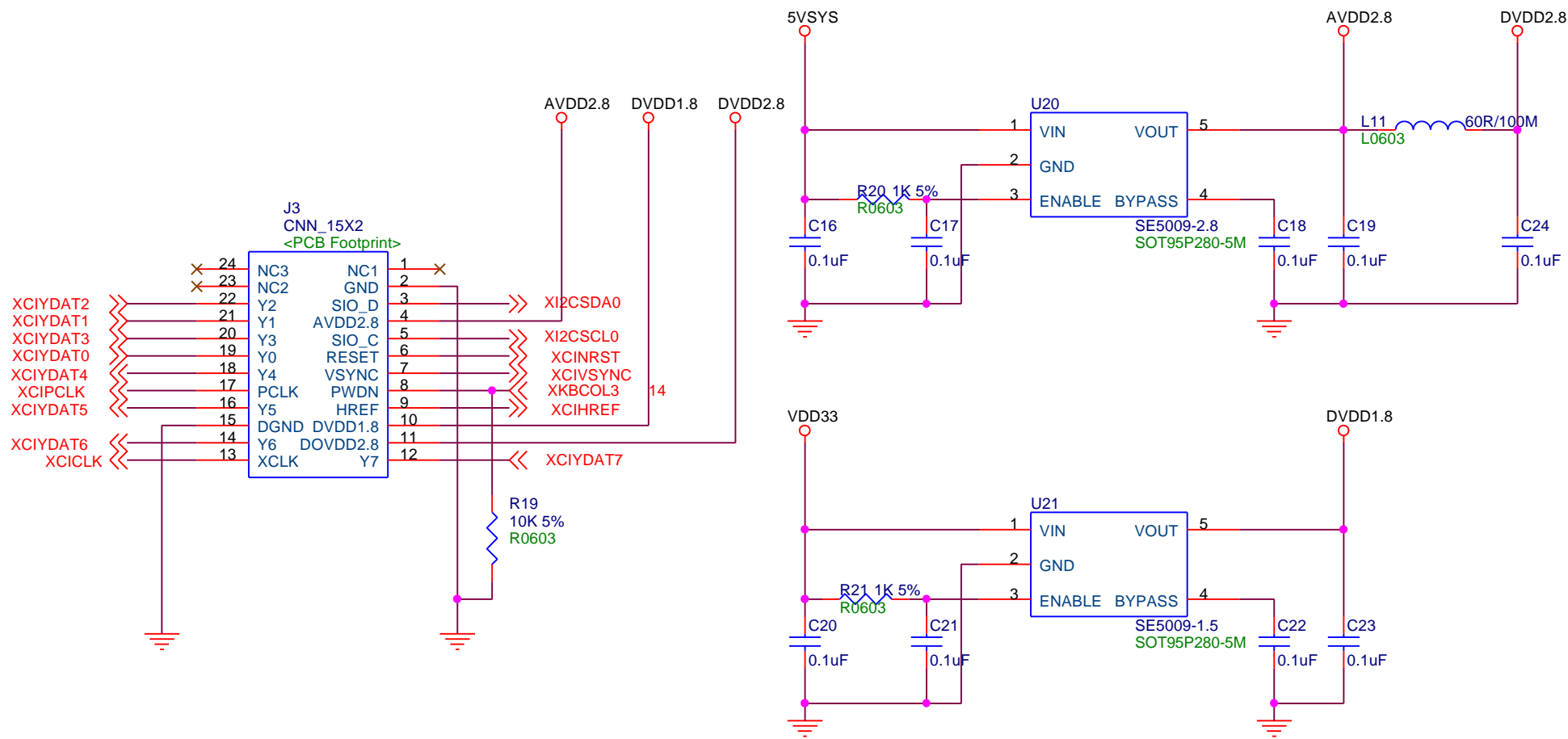
Title		
INFOTM IX200 MOBILE INTERNET DEVICE		
Size	Document Number	Rev
A3	CPU_PWR_RTC	0A
Date:	Tuesday, July 20, 2010	Sheet 14 of 15



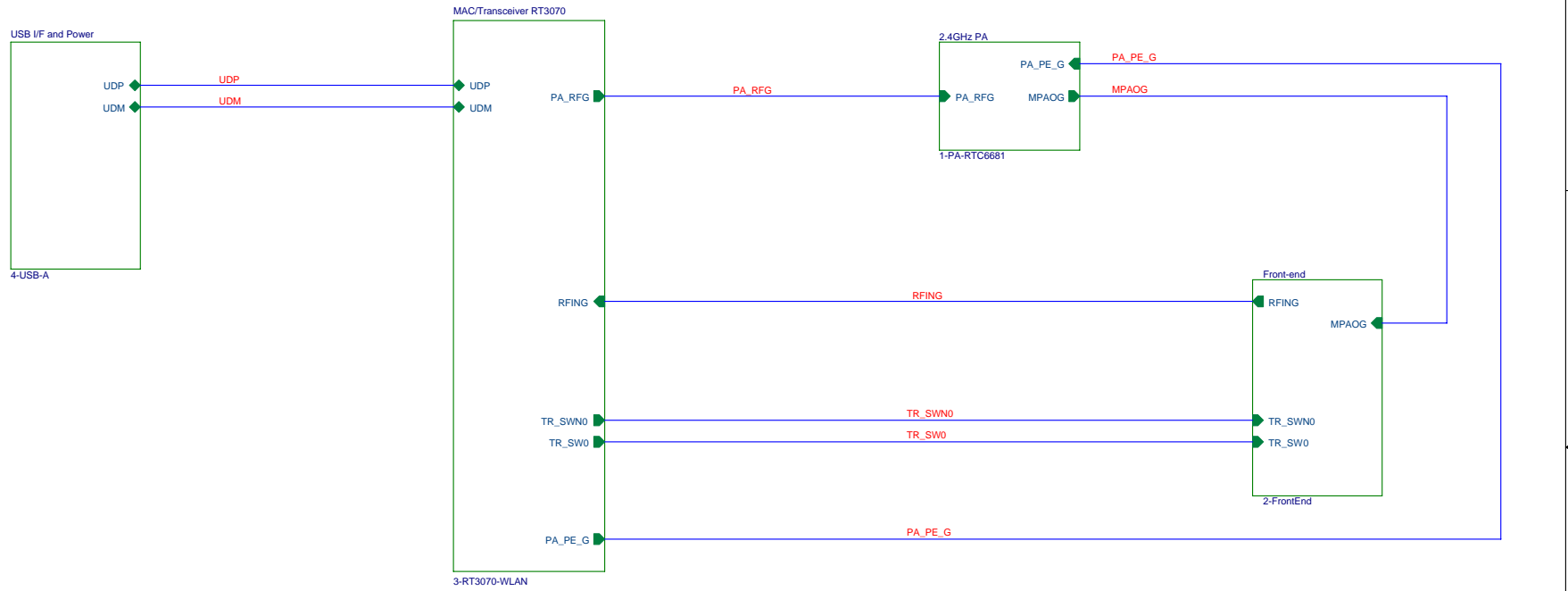
Title		
INFOTM IX200 MOBILE INTERNET DEVICE		
Size	Document Number	Rev
A4	BATTERY_CHARGER	0A
Date:	Wednesday, July 21, 2010	Sheet 15 of 15




Title			
INFOTM IX200 MOBILE INTERNET DEVICE			
Size	Document Number	Rev	
B	BL BOARD CNN_USB	0A	
Date:	Wednesday, July 14, 2010	Sheet	1 of 2

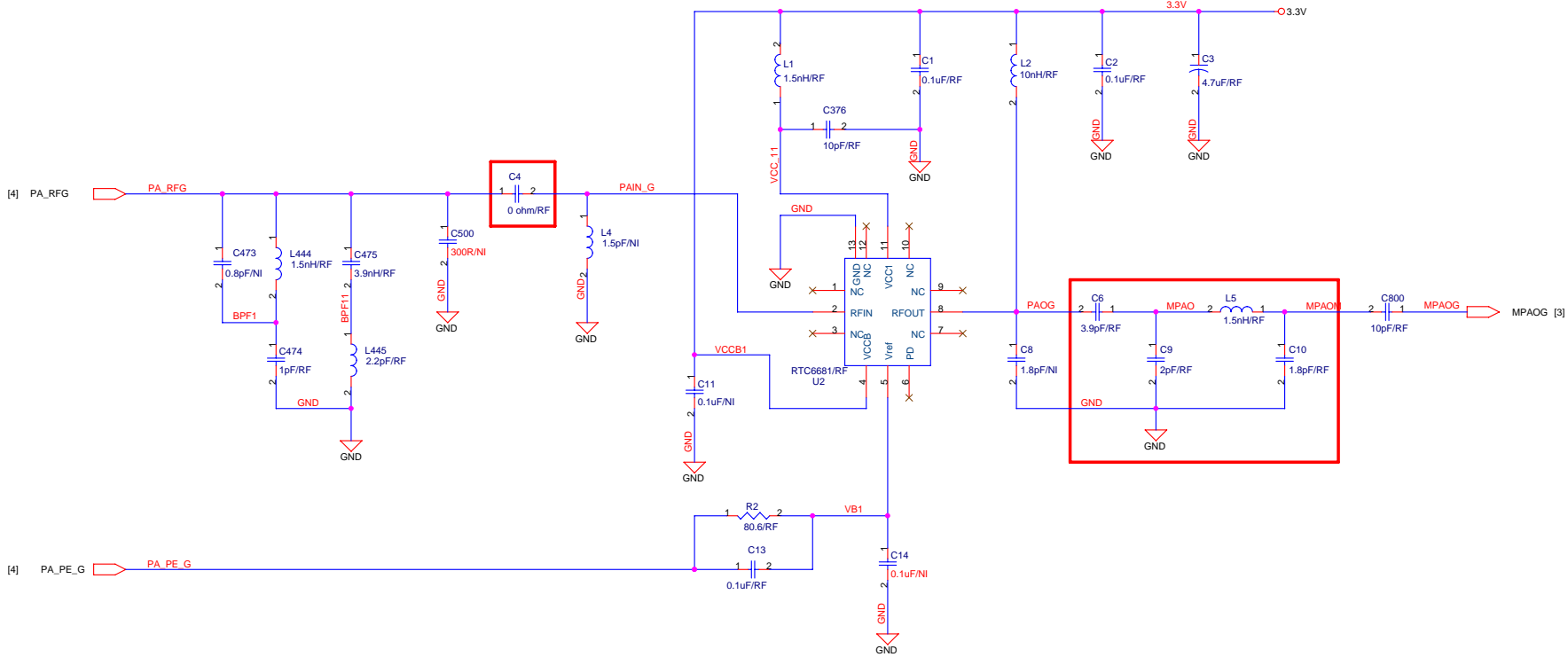



Title		
INFOTM IX200 MOBILE INTERNET DEVICE		
Size	Document Number	Rev
A	BL BOARD CNN_USB	0A
Date:	Wednesday, July 14, 2010	Sheet 2 of 2

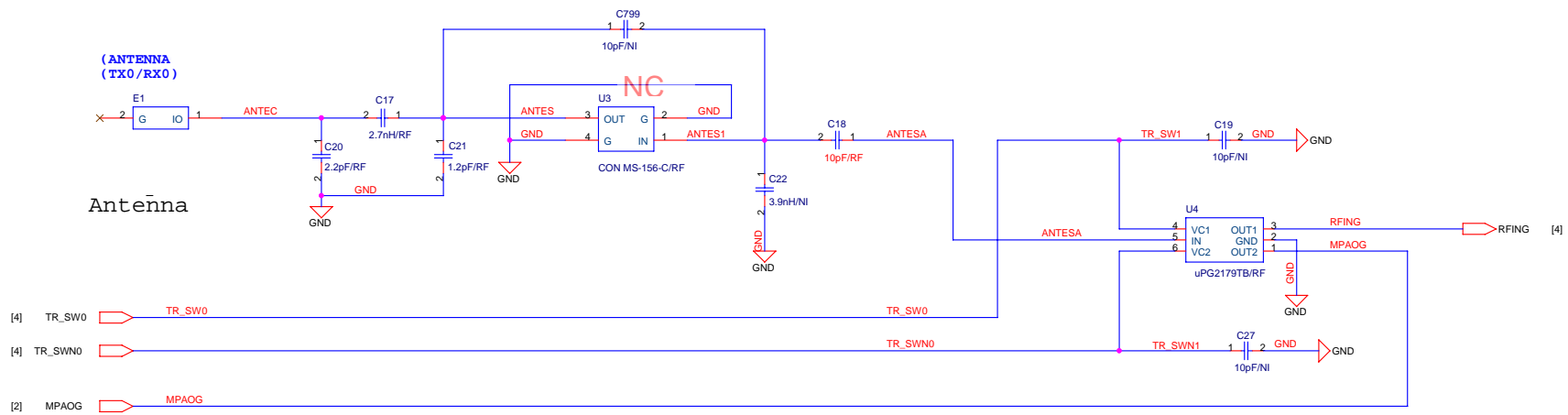



Filename:
PEN-RT3070-QFN-V32RW-EFUSE-090109.DSN

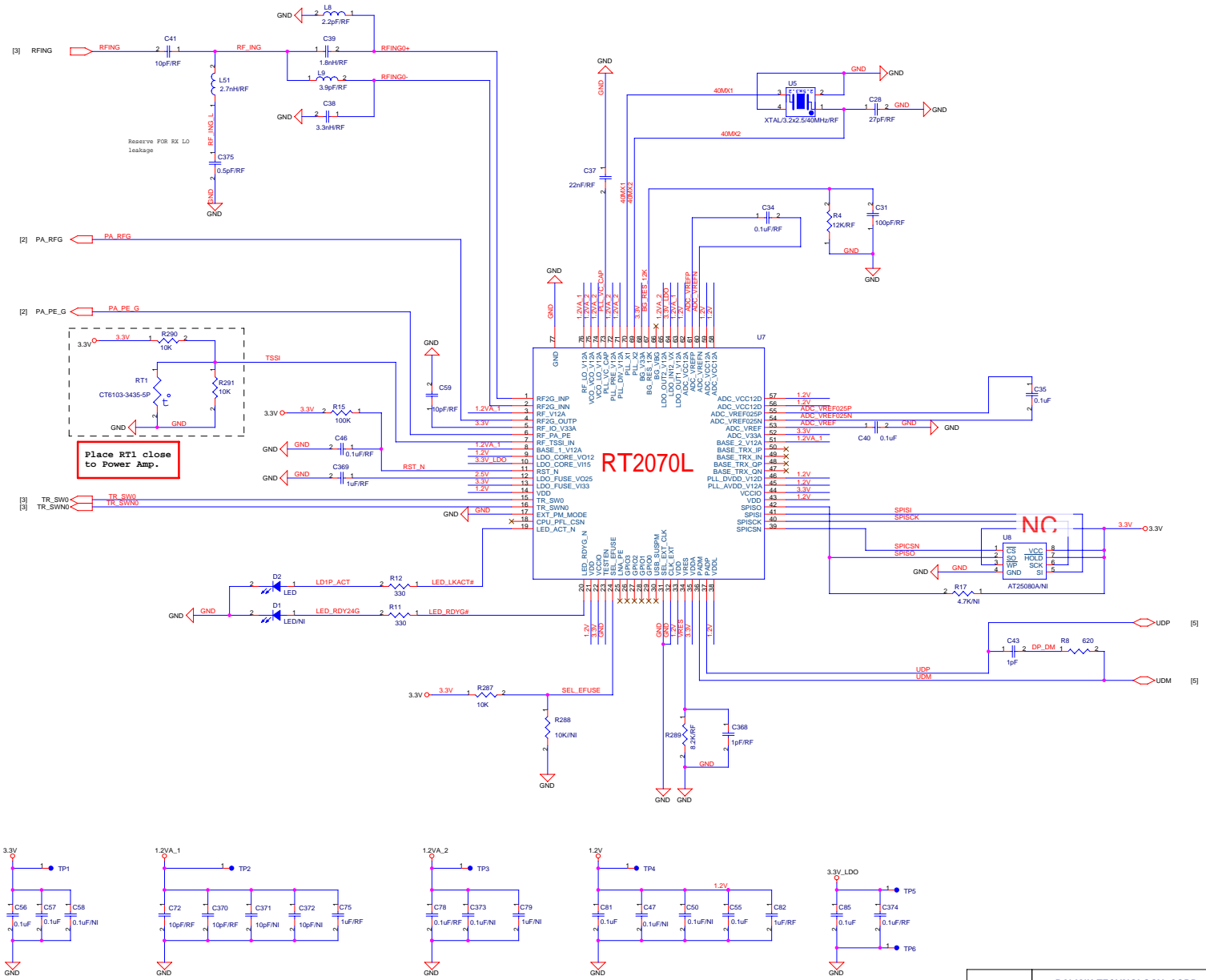
		RALINK TECHNOLOGY, CORP.	
		Title: 2.4G USB Card - RT3070	
Size	B	Document Number	Rev
		PEN-RT3070-QFN-V32RW-1X1.SCH	3.2
Date:	Friday, January 09, 2009	Sheet	1 of 6



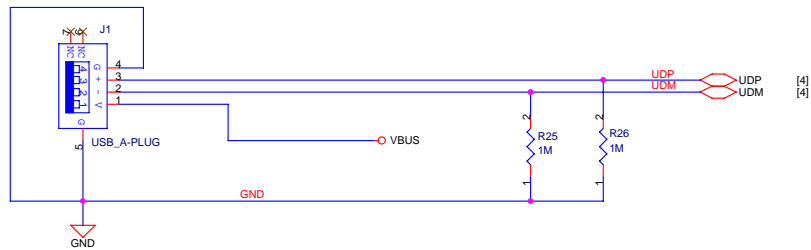
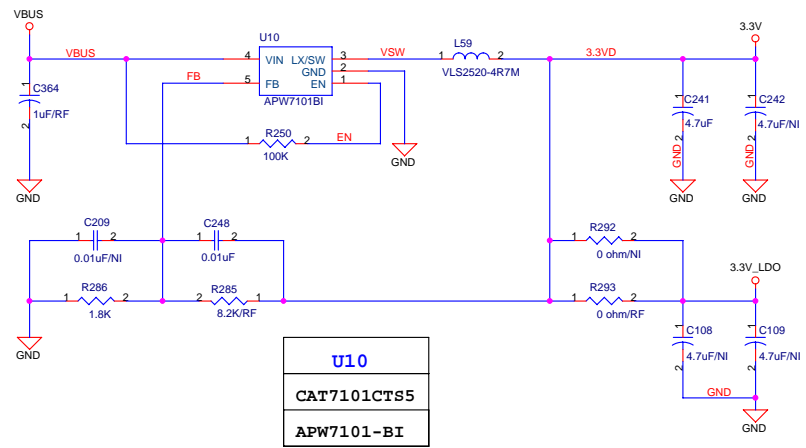
		RALINK TECHNOLOGY, CORP.	
		Title: 2.4GHz PA	
Size: B	Document Number: 1-PA-RTC6681.SCH		Rev: 3.2
Date: Friday, January 09, 2009	Sheet: 2	of: 6	




		RALINK TECHNOLOGY, CORP.	
		Title: Front-End	
Size: B	Document Number: 2-FrontEnd.SCH		Rev: 3.2
Date: Monday, October 06, 2008	Sheet: 3	of: 6	



		RALINK TECHNOLOGY, CORP.	
		File	RT3070-WLAN
Size	C	Document Number	3-RT3070-WLAN.SCH
Date	Friday, January 09, 2009	Sheet	4 of 6
		Rev	3.2



		RALINK TECHNOLOGY, CORP.	
		Title: PEN USB Interface and Power	
Size: B	Document Number: 4-USB-A.SCH		Rev: 3.2
Date: Monday, October 06, 2008	Sheet: 1	of: 5	6