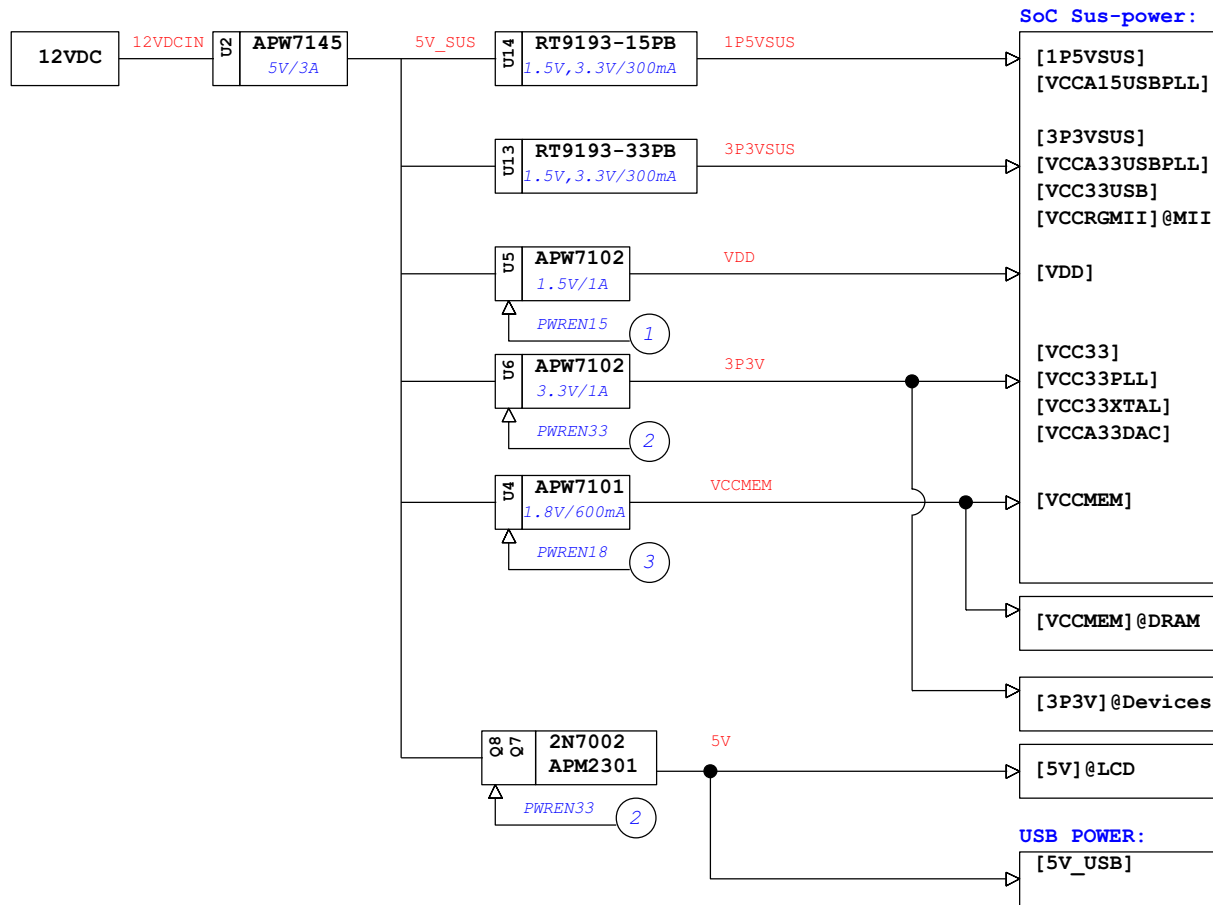


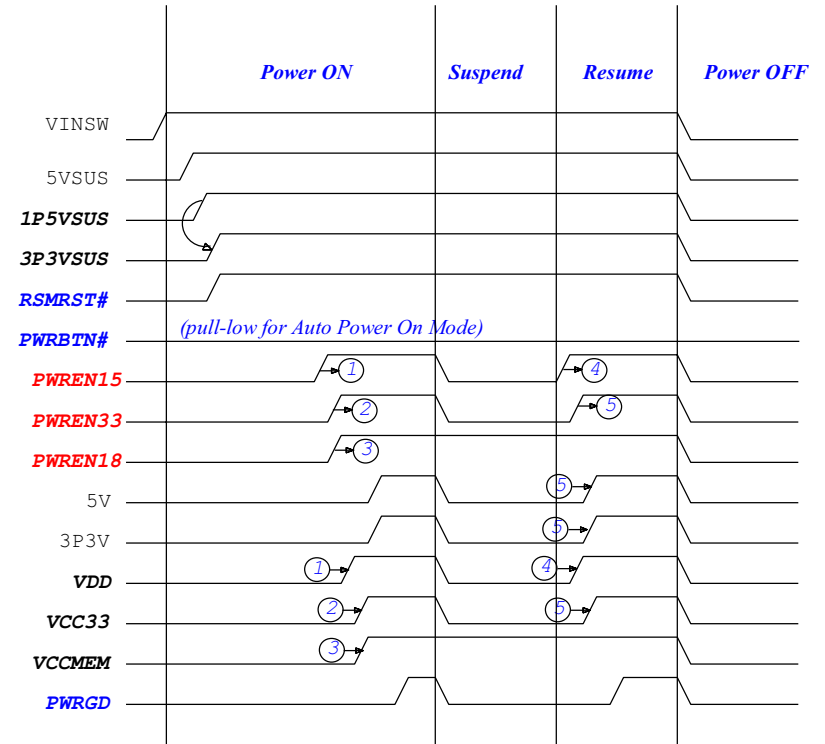


# Power Tree & Power Sequence

## POWER TREE:

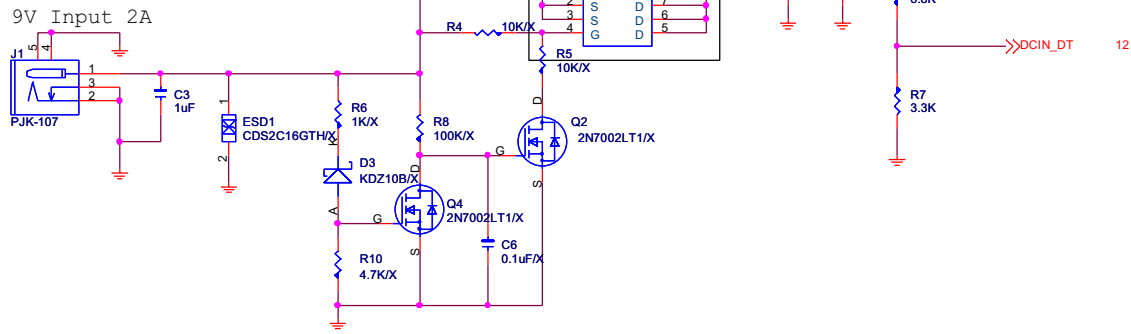


## POWER SEQUENCE:

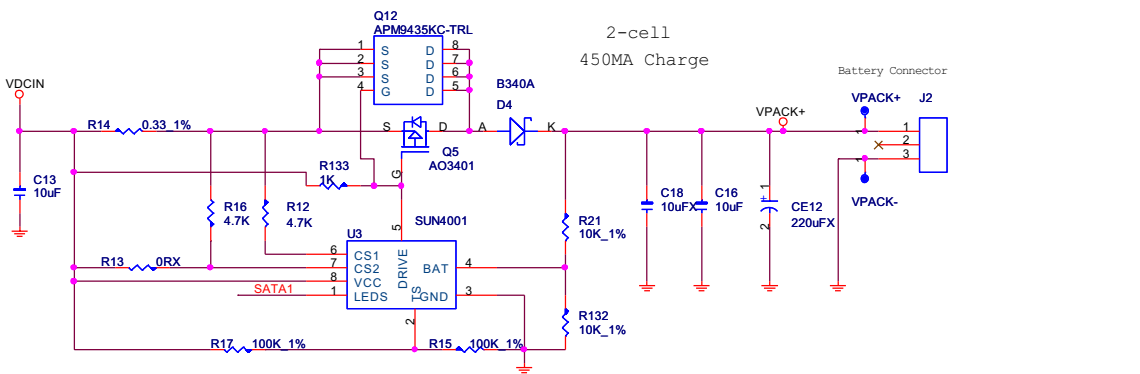
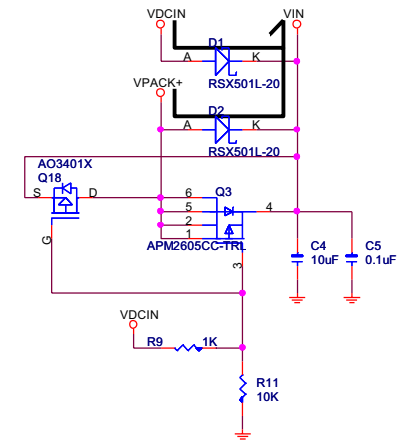


Create PDF with GO2PDF for free, if you wish to remove this line, click here to buy Virtual PDF Printer

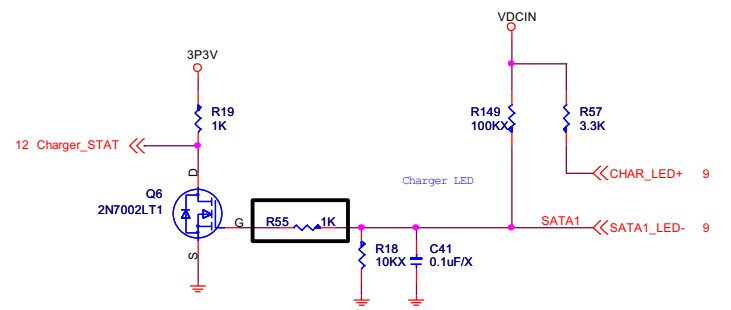
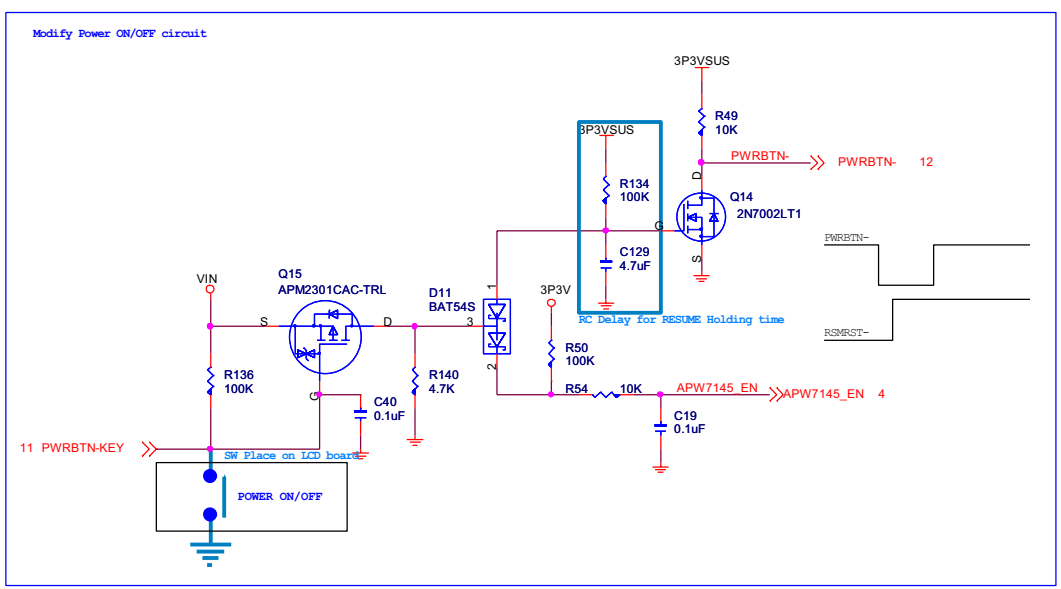
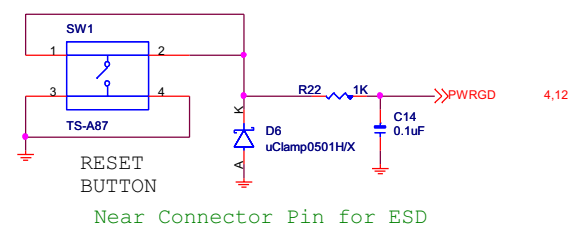
# 1 9V Adapter Power In



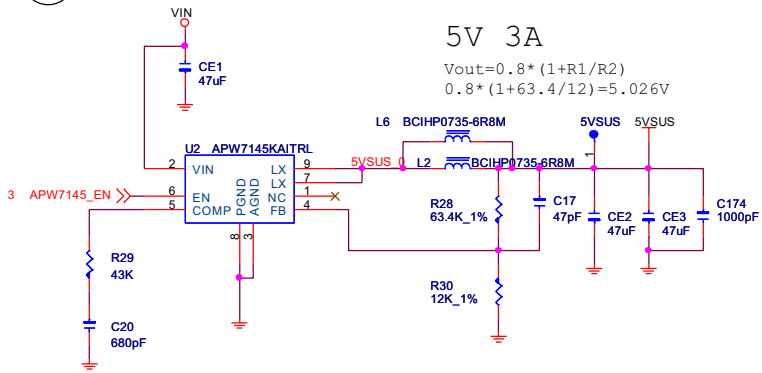
# 1.5A Rating



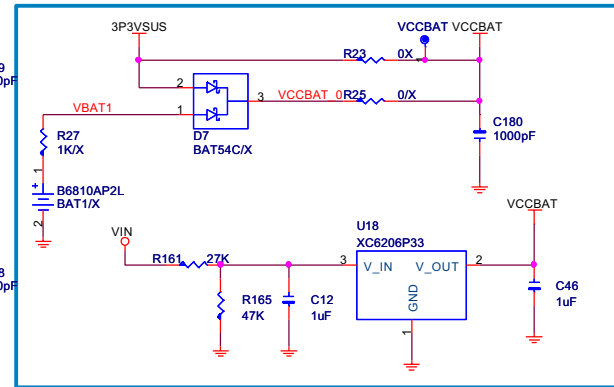
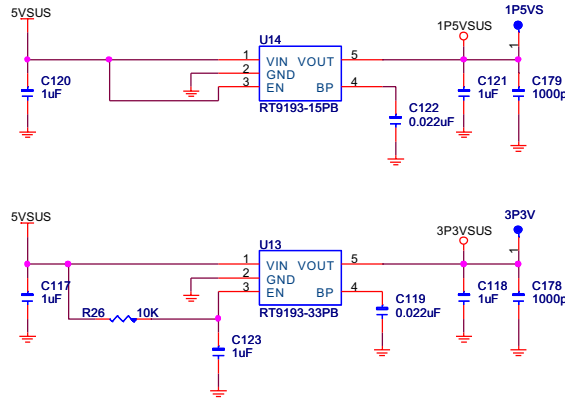
# Buttons



### 2 12V -> 5VSUS (SoC Power, USB VBUS Power)



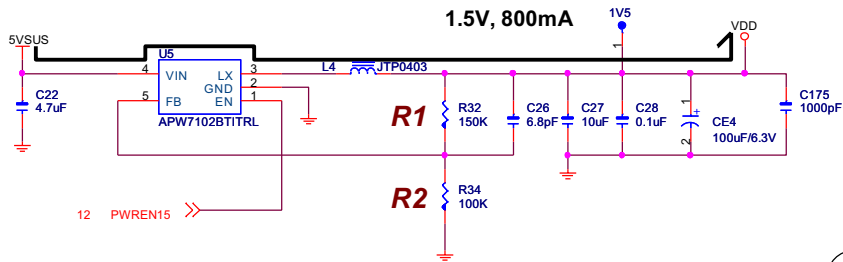
### 3/4 5VSUS -> 1P5VSUS/3P3VSUS (300mA each)



### 5 5VSUS -> VDD

$$V_{out} = 0.6 * (1 + R1/R2)$$

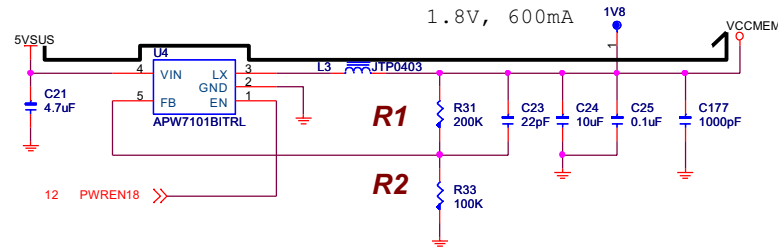
$$0.6 * (1 + 300/200) = 1.5v @ 1A$$



### 7 5VSUS -> VCCMEM (SoC+DDR2 Chip Power)

$$V_{out} = 0.6 * (1 + R1/R2)$$

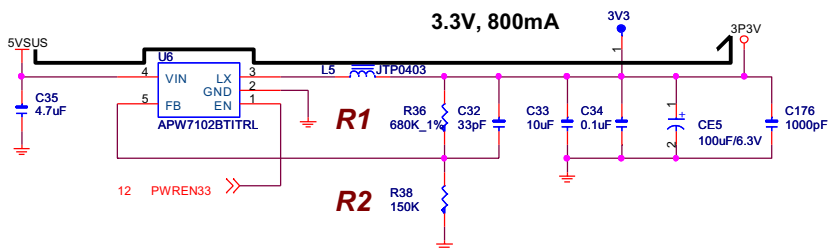
$$0.6 * (1 + 400/200) = 1.8v @ 1A$$



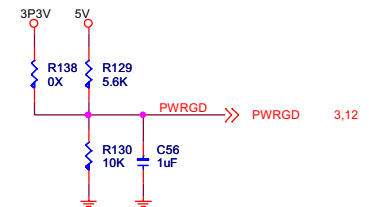
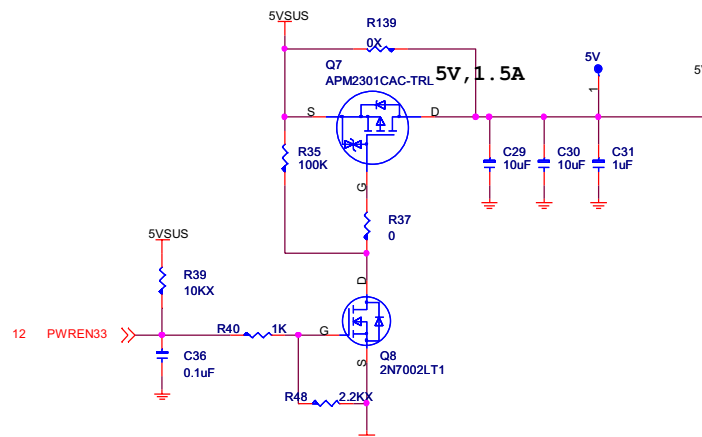
### 6 5VSUS -> 3P3V

$$V_{out} = 0.6 * (1 + R1/R2)$$

$$0.6 * (1 + 180K/39K) = 3.37v @ 1A$$



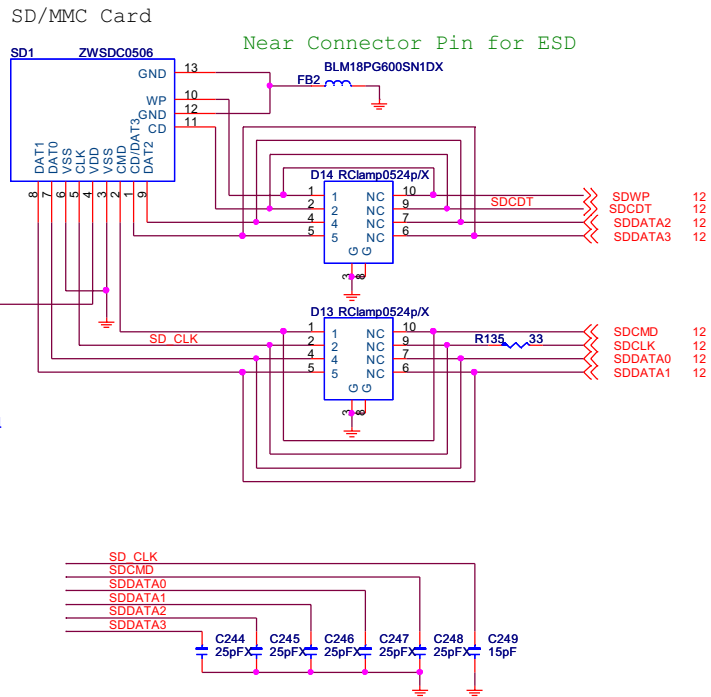
### 8 5VSUS -> 5V (Device Power) (LCD, I2S, UART)



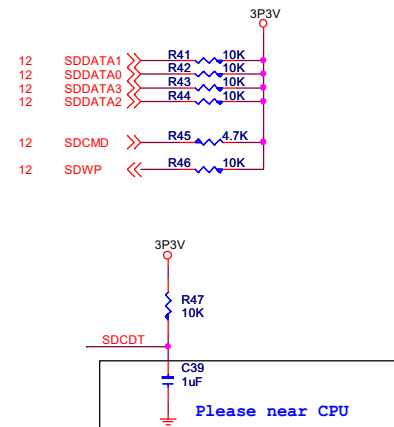
Power Enable:

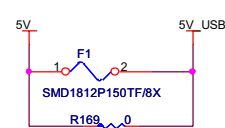
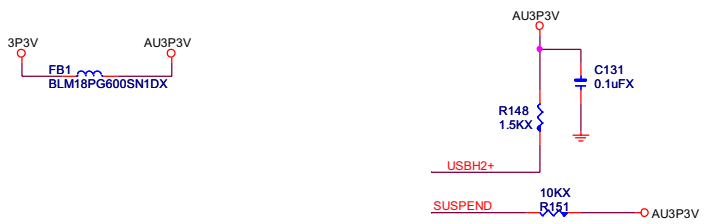
- ====>>> PWREN15 12
- ====>>> PWREN18 12
- ====>>> PWREN33 12

## SD Socket (SD/MMC only)

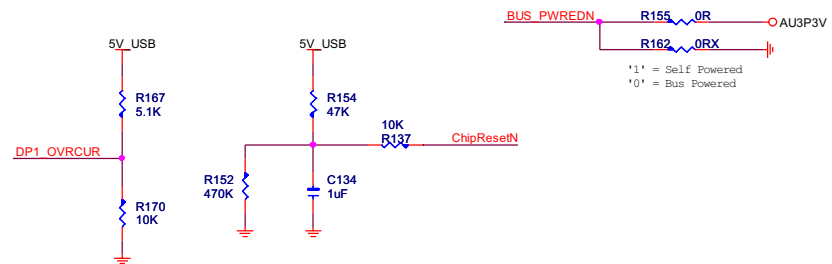
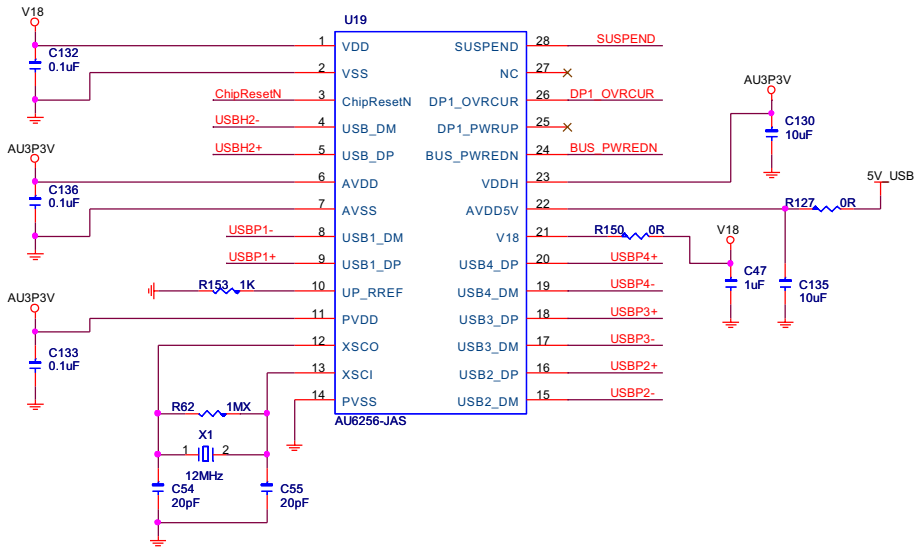


## PU Resistors:

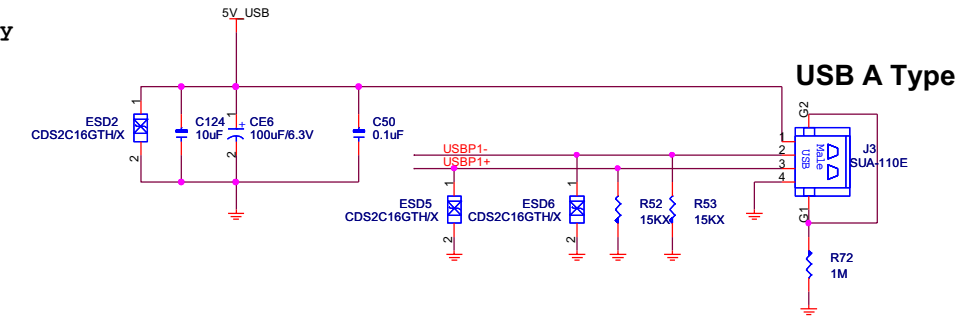




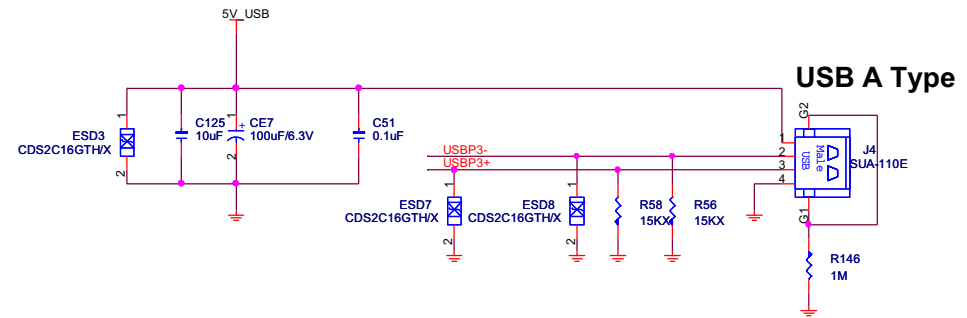
Co-Lay



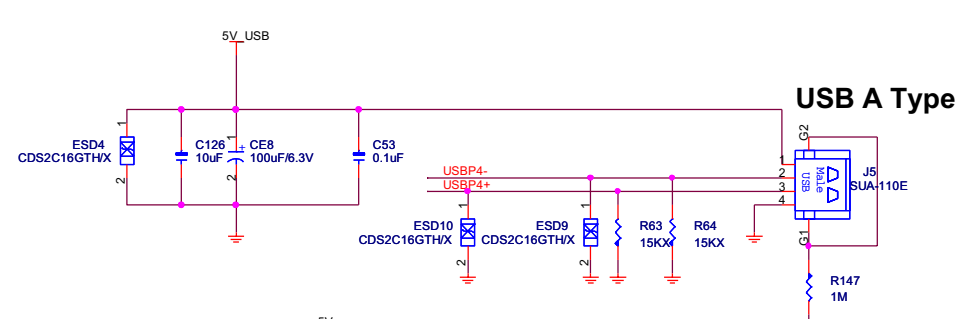
'1' = Self Powered  
'0' = Bus Powered



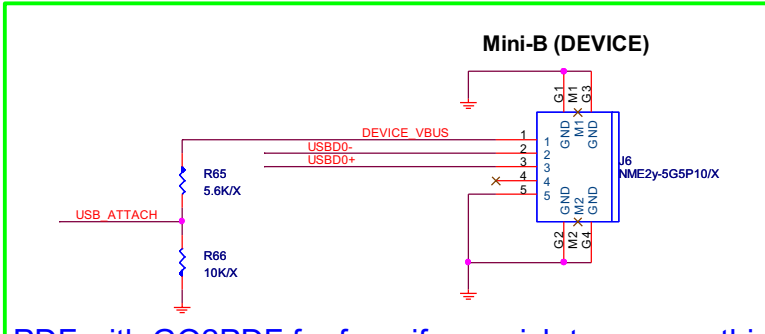
USB A Type



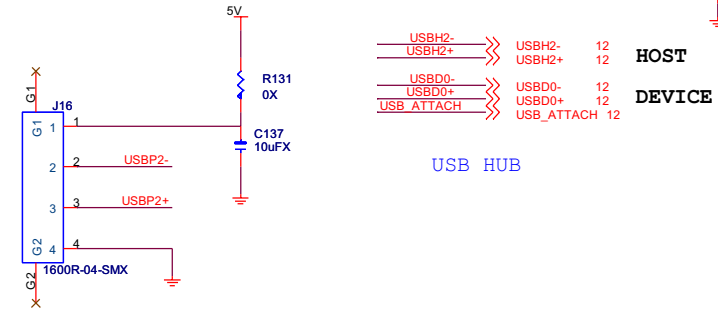
USB A Type



USB A Type



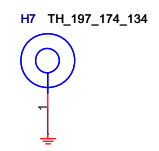
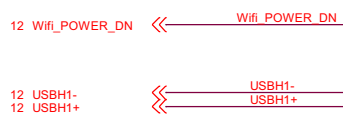
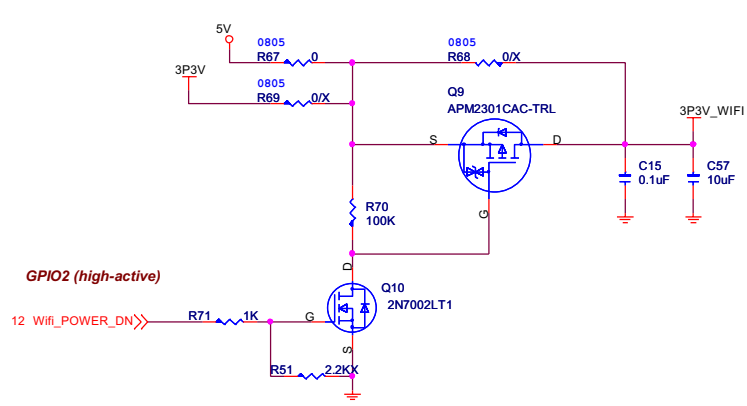
Mini-B (DEVICE)



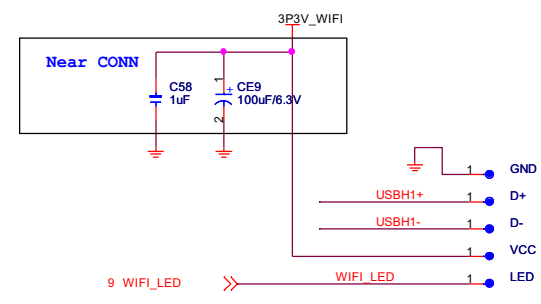
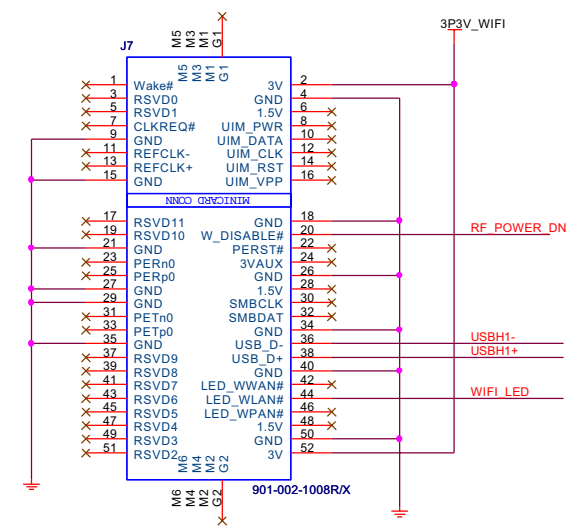
USB HUB



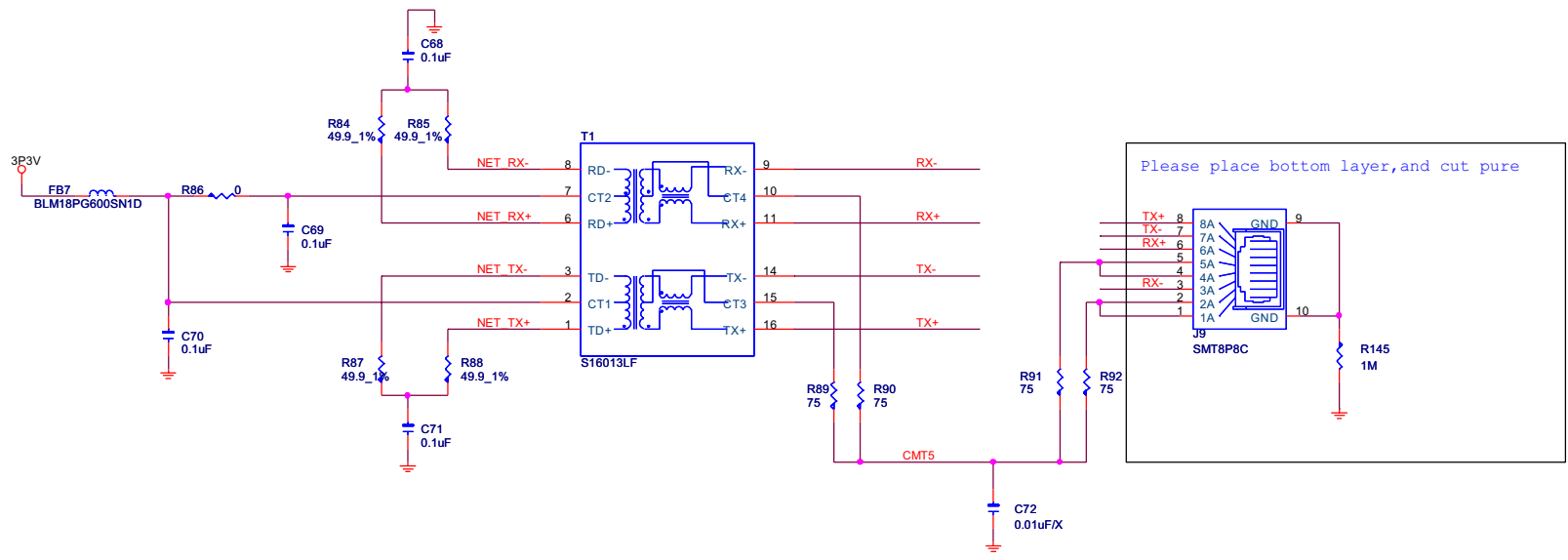
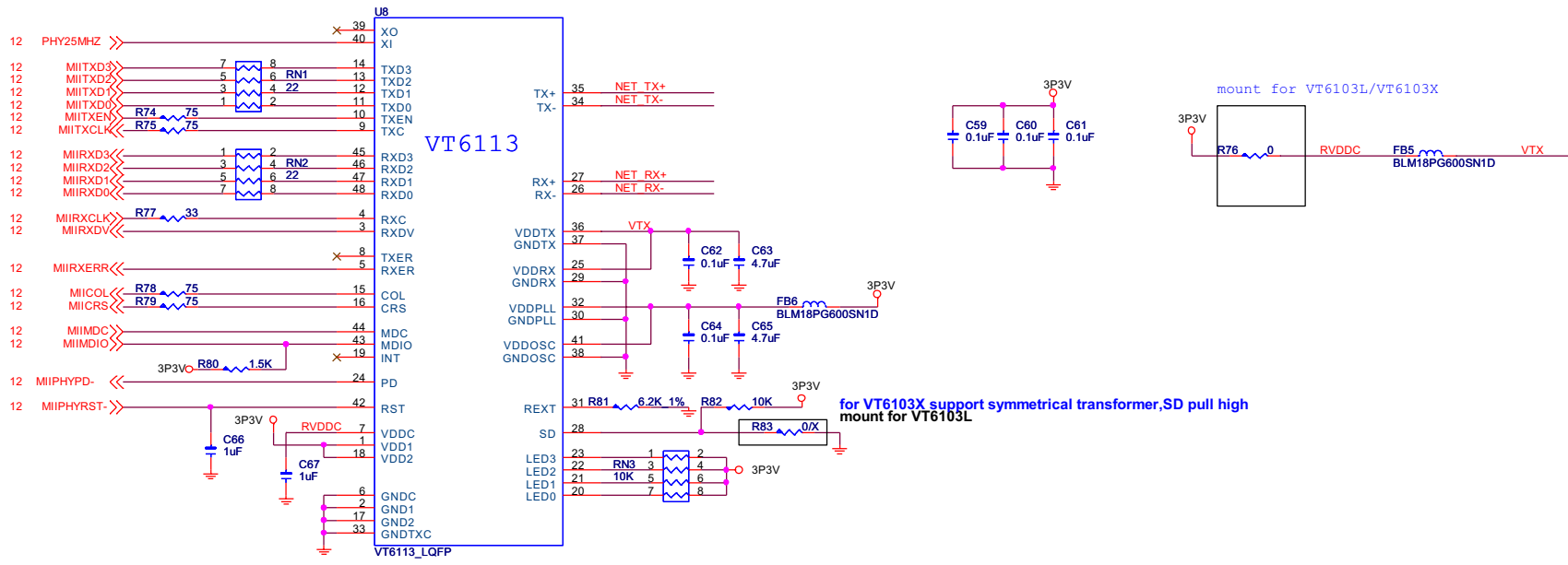
### 3.3V WiFi POWER:



### WiFi Mini-Card Connector (ref to standard PCIE-minicard)



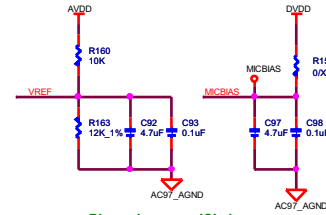
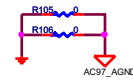
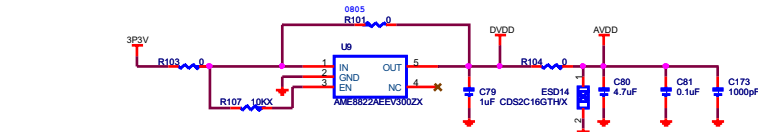
# Ethernet PHY



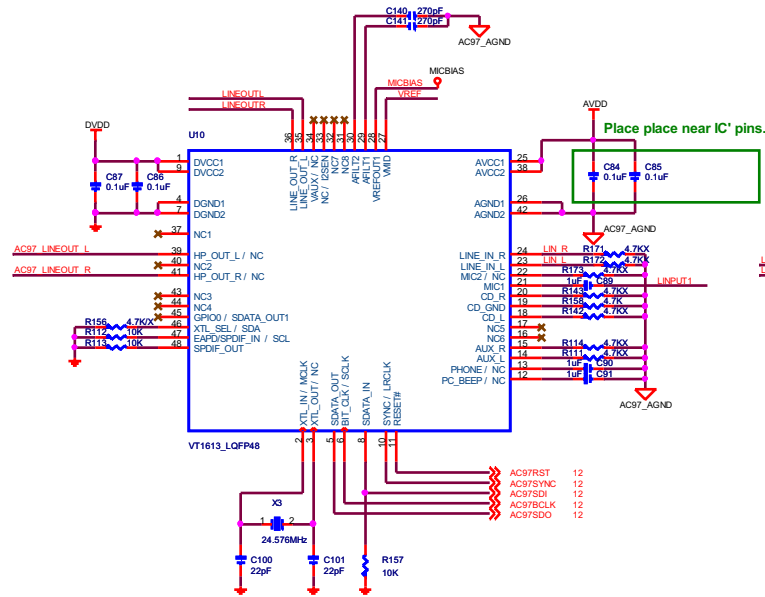




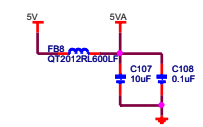
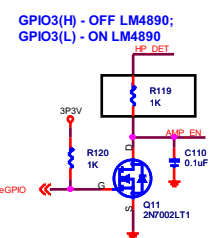
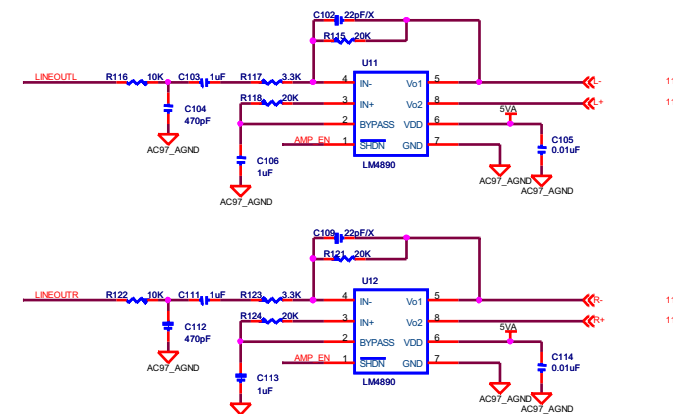
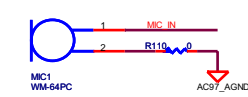
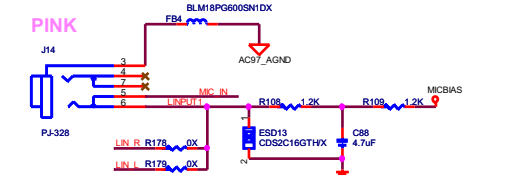
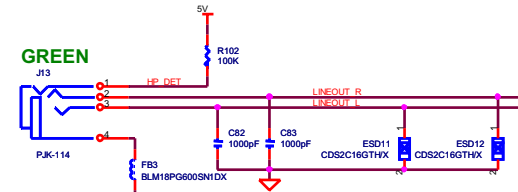
### AC97 CODEC



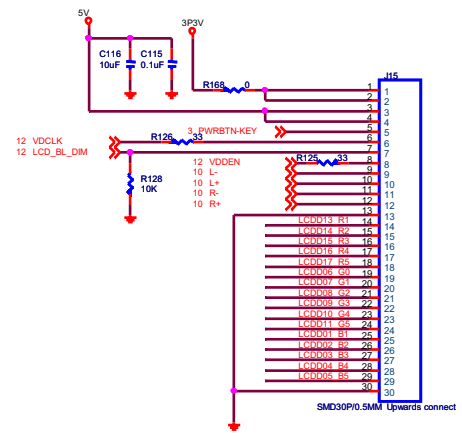
Place place near IC' pins.

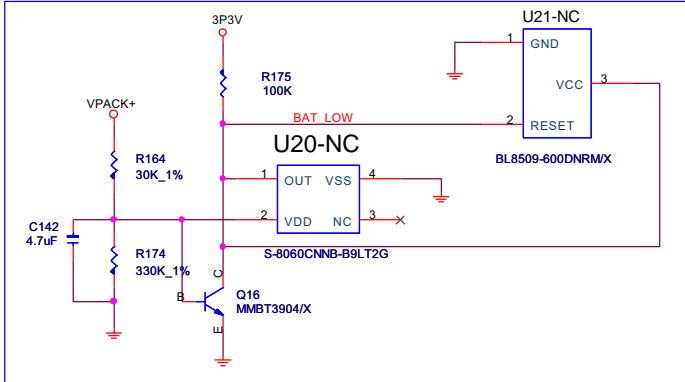
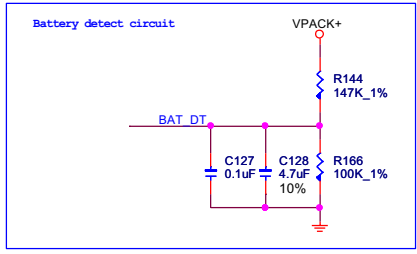
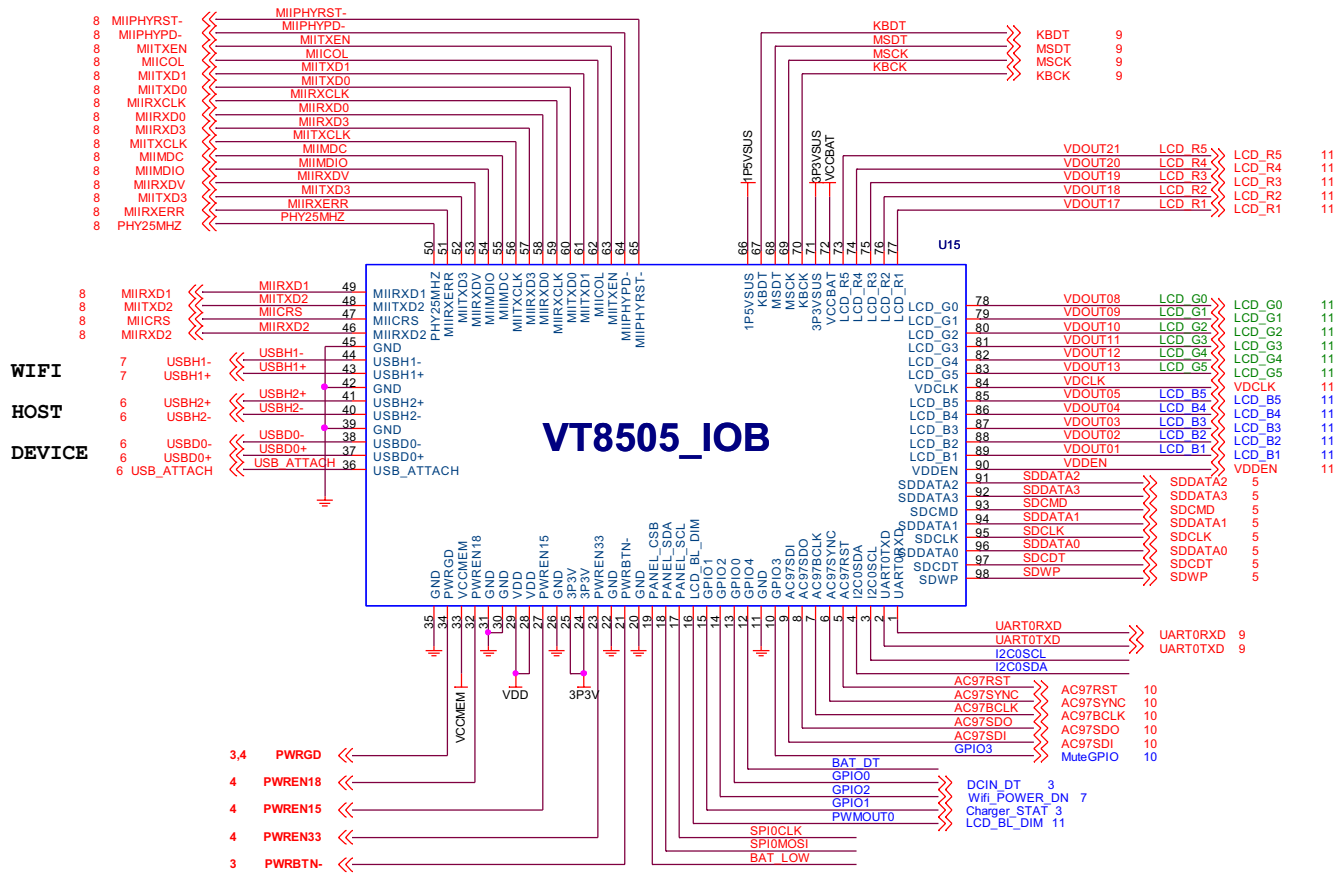


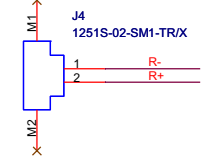
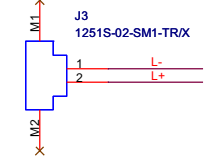
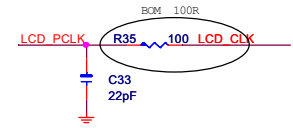
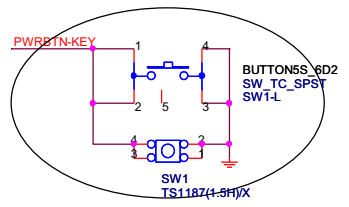
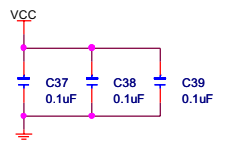
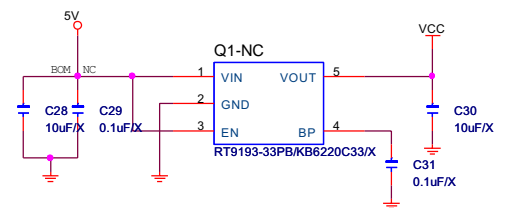
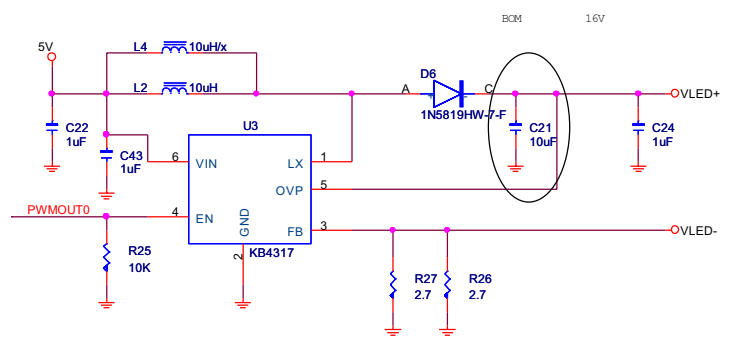
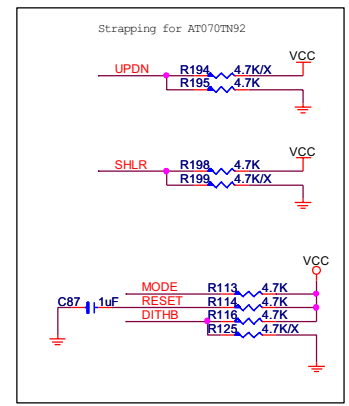
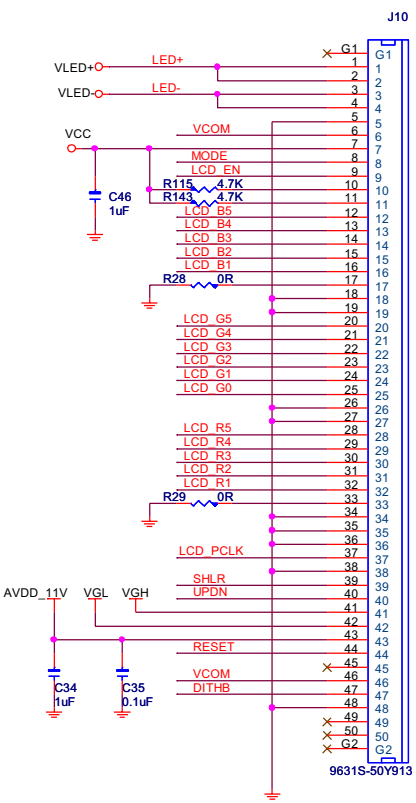
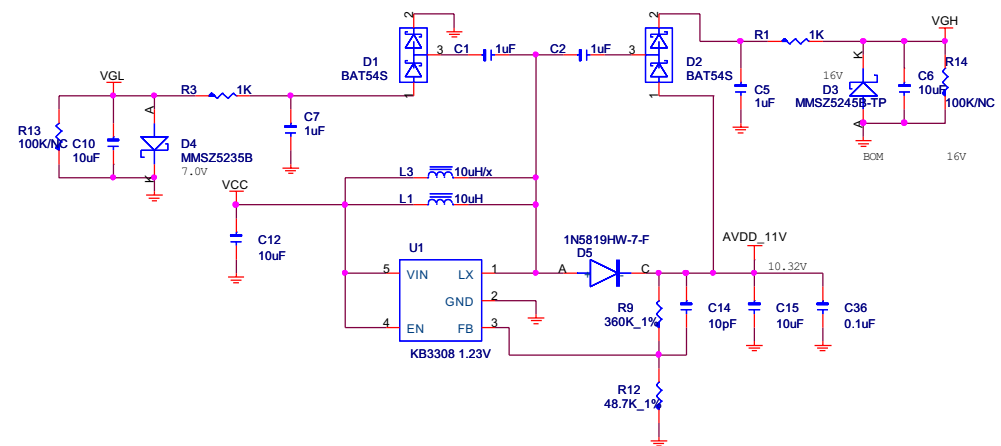
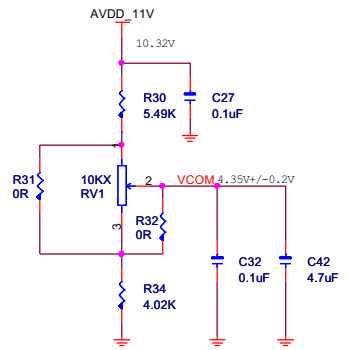
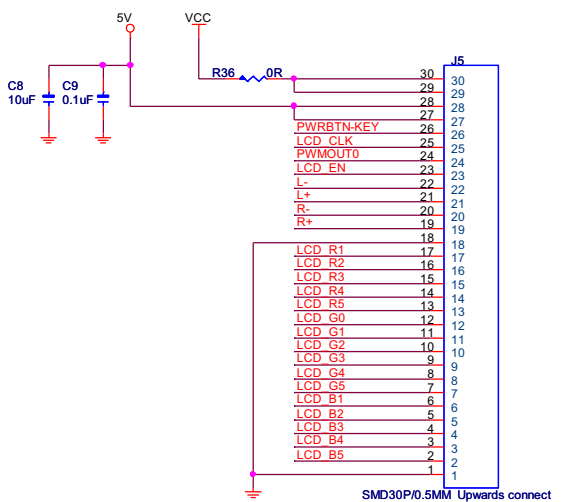
Please near to codec



Red 1	12	LCD_R1	LCD_R1	VDDOUT17	8	7	LCDD13_R1
Red 2	12	LCD_R2	LCD_R2	VDDOUT18	6	6	LCDD14_R2
Red 3	12	LCD_R3	LCD_R3	VDDOUT19	4	3	LCDD15_R3
Red 4	12	LCD_R4	LCD_R4	VDDOUT20	2	1	LCDD16_R4
<b>RN7 100</b>							
Red 5	12	LCD_R5	LCD_R5	VDDOUT21	8	7	LCDD17_R5
Green 0	12	LCD_G0	LCD_G0	VDDOUT08	6	6	LCDD05_G0
Green 1	12	LCD_G1	LCD_G1	VDDOUT09	4	3	LCDD06_G1
Green 2	12	LCD_G2	LCD_G2	VDDOUT10	2	1	LCDD08_G2
<b>RN5 100</b>							
Green 3	12	LCD_G3	LCD_G3	VDDOUT11	8	7	LCDD09_G3
Green 4	12	LCD_G4	LCD_G4	VDDOUT12	6	6	LCDD10_G4
Green 5	12	LCD_G5	LCD_G5	VDDOUT13	4	3	LCDD11_G5
Blue 1	12	LCD_B1	LCD_B1	VDDOUT01	2	1	LCDD07_B1
<b>RN4 100</b>							
Blue 2	12	LCD_B2	LCD_B2	VDDOUT02	8	7	LCDD02_B2
Blue 3	12	LCD_B3	LCD_B3	VDDOUT03	6	6	LCDD03_B3
Blue 4	12	LCD_B4	LCD_B4	VDDOUT04	4	3	LCDD04_B4
Blue 5	12	LCD_B5	LCD_B5	VDDOUT05	2	1	LCDD05_B5







TITLE	PAGE
COVER PAGE	01
POWER TREE	02
POWER REGULATOR	03
WM8505 VCC/GND	04
WM8505 CLOCK/RESET	05
WM8505 DDR2/DRAM	06
WM8505 NAND/SF/SPI/PWM	07
WM8505 SD/MMC Connector	08
WM8505 I2S (Speaker+MIC)	09
WM8505 USB+WiFi	10
WM8505 LCD I/F	11
LCD POWER	12
WM8505 I2C/KEYPAD	13
WM8505 STRAPPING+GPIO	14
WM8505 MII/JTAG/UART/CIR	15
Revision History	16

# WM8505: Power / Ground

## PART: F+G

U1F POWER

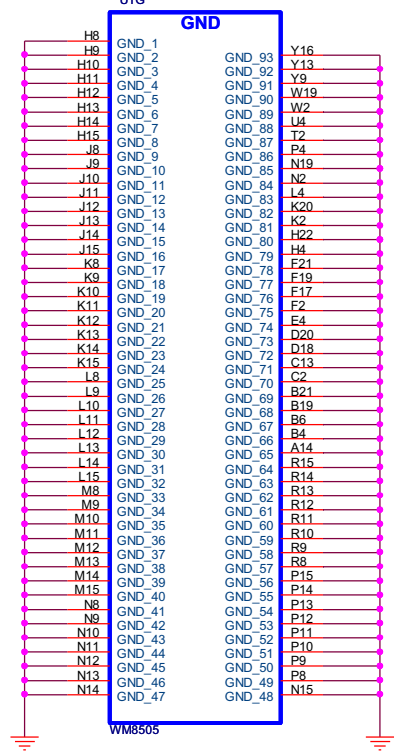
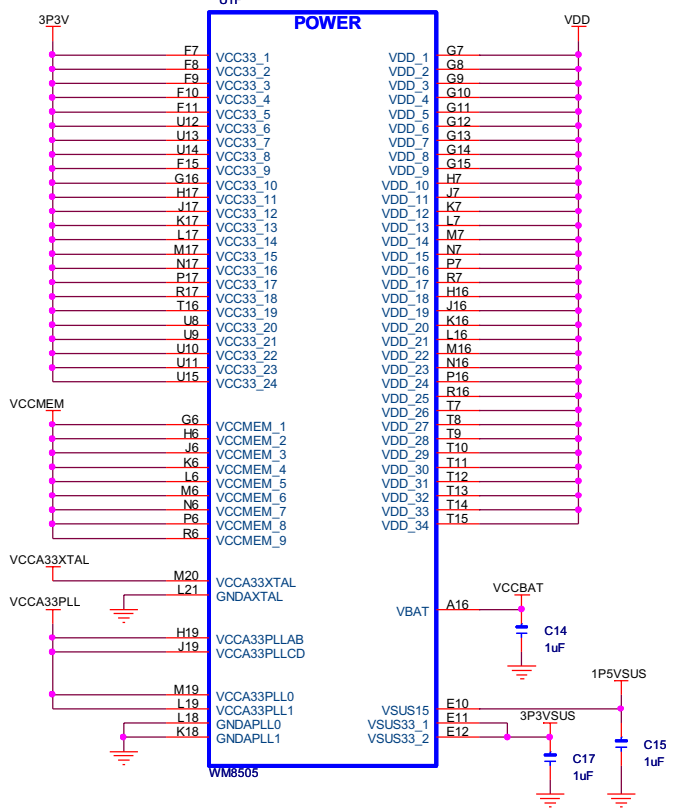
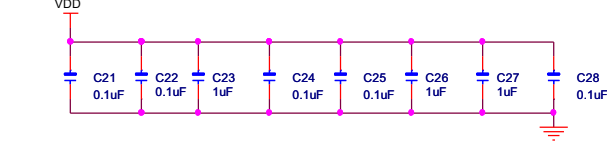
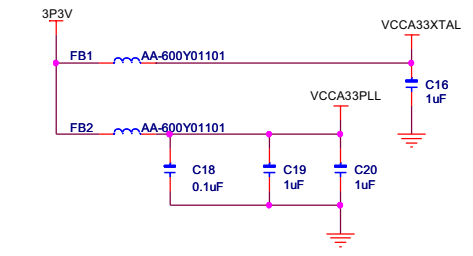
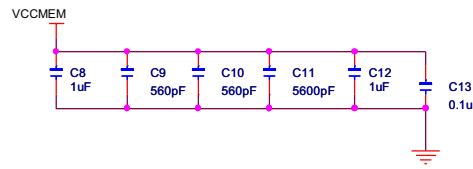
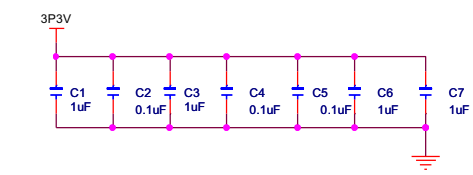
U1G GND

POWER		
3P3V	F7	VCC33_1
	F8	VCC33_2
	F9	VCC33_3
	F10	VCC33_4
	F11	VCC33_5
	U12	VCC33_6
	U13	VCC33_7
	U14	VCC33_8
	F15	VCC33_9
	G16	VCC33_10
	H17	VCC33_11
	J17	VCC33_12
	K17	VCC33_13
	L17	VCC33_14
	M17	VCC33_15
	N17	VCC33_16
	P17	VCC33_17
	R17	VCC33_18
	T16	VCC33_19
	U8	VCC33_20
	U9	VCC33_21
	U10	VCC33_22
	U11	VCC33_23
	U15	VCC33_24
VCCMEM	G6	VCCMEM_1
	H6	VCCMEM_2
	J6	VCCMEM_3
	K6	VCCMEM_4
	L6	VCCMEM_5
	M6	VCCMEM_6
	N6	VCCMEM_7
	P6	VCCMEM_8
	R6	VCCMEM_9
VCCA33XTAL	M20	VCCA33XTAL
	L21	GNDAXTAL
VCCA33PLL	H19	VCCA33PLL
	J19	VCCA33PLL
	M19	VCCA33PLL0
	L19	VCCA33PLL1
	L18	GNDAPLL0
	K18	GNDAPLL1
VDD	E10	VSUS33_1
	E11	VSUS33_2
	E12	VSUS33_2

GND		
H8	GND_1	Y16
H10	GND_2	Y13
H11	GND_3	GND_92
H12	GND_4	GND_91
H13	GND_5	GND_90
H14	GND_6	GND_89
H15	GND_7	GND_88
J8	GND_8	GND_87
J9	GND_9	GND_86
J10	GND_10	GND_85
J11	GND_11	GND_84
J12	GND_12	GND_83
J13	GND_13	GND_82
J14	GND_14	GND_81
J15	GND_15	GND_80
K8	GND_16	GND_79
K9	GND_17	GND_78
K10	GND_18	GND_77
K11	GND_19	GND_76
K12	GND_20	GND_75
K13	GND_21	GND_74
K14	GND_22	GND_73
K15	GND_23	GND_72
L8	GND_24	GND_71
L9	GND_25	GND_70
L10	GND_26	GND_69
L11	GND_27	GND_68
L12	GND_28	GND_67
L13	GND_29	GND_66
L14	GND_30	GND_65
L15	GND_31	GND_64
M8	GND_32	GND_63
M9	GND_33	GND_62
M10	GND_34	GND_61
M11	GND_35	GND_60
M12	GND_36	GND_59
M13	GND_37	GND_58
M14	GND_38	GND_57
M15	GND_39	GND_56
N8	GND_40	GND_55
N9	GND_41	GND_54
N10	GND_42	GND_53
N11	GND_43	GND_52
N12	GND_44	GND_51
N13	GND_45	GND_50
N14	GND_46	GND_49
	GND_47	GND_48
	GND_93	
	GND_92	
	GND_91	
	GND_90	
	GND_89	
	GND_88	
	GND_87	
	GND_86	
	GND_85	
	GND_84	
	GND_83	
	GND_82	
	GND_81	
	GND_80	
	GND_79	
	GND_78	
	GND_77	
	GND_76	
	GND_75	
	GND_74	
	GND_73	
	GND_72	
	GND_71	
	GND_70	
	GND_69	
	GND_68	
	GND_67	
	GND_66	
	GND_65	
	GND_64	
	GND_63	
	GND_62	
	GND_61	
	GND_60	
	GND_59	
	GND_58	
	GND_57	
	GND_56	
	GND_55	
	GND_54	
	GND_53	
	GND_52	
	GND_51	
	GND_50	
	GND_49	
	GND_48	

WM8505

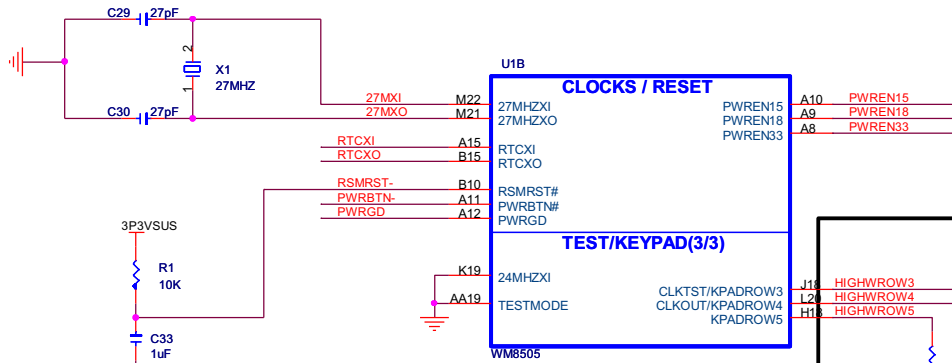
WM8505



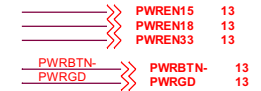
CLOCK + RESET + PMC

PART:B

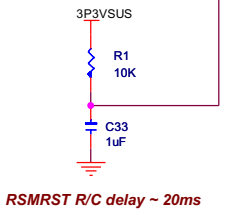
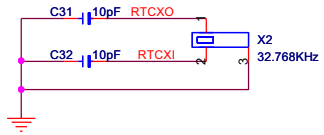
Main CLK:



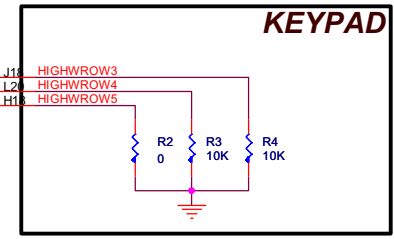
Power Enable:



RTC CLK:



TEST/KEYPAD(3/3)

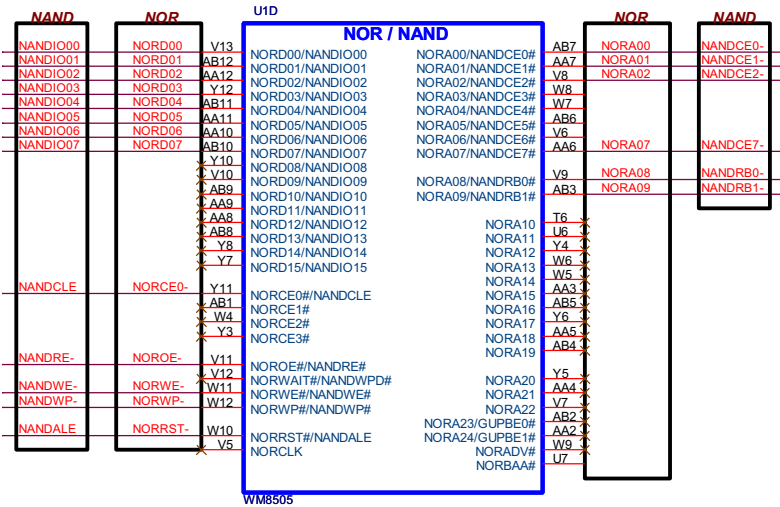


For KEYPAD direct input, need PD 10K

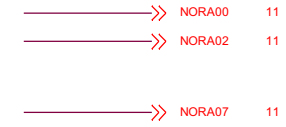




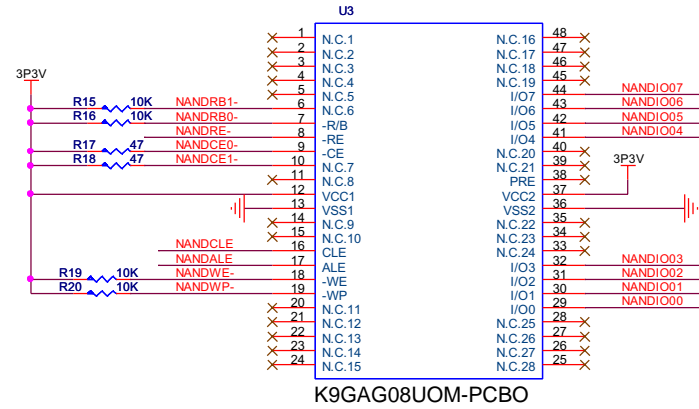
# WM8505: NAND FLASH



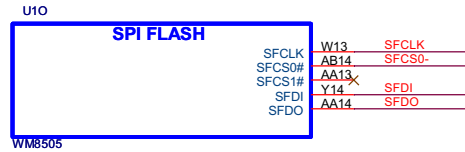
## STRAPPING:



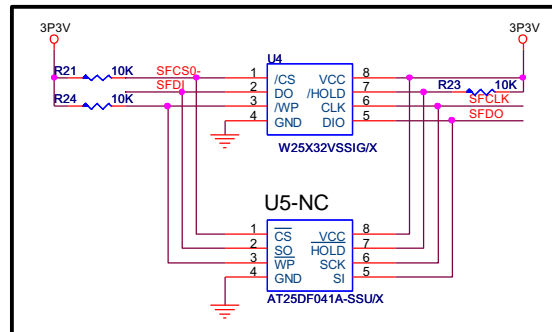
## NAND FLASH:



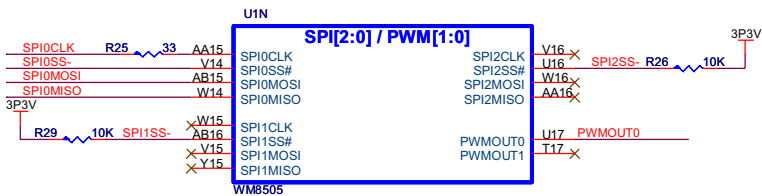
# WM8505: SPI FLASH



## (optional) 8 pins package (co-lay)



# WM8505: SPI + PWM



## LCD Backlight Control:

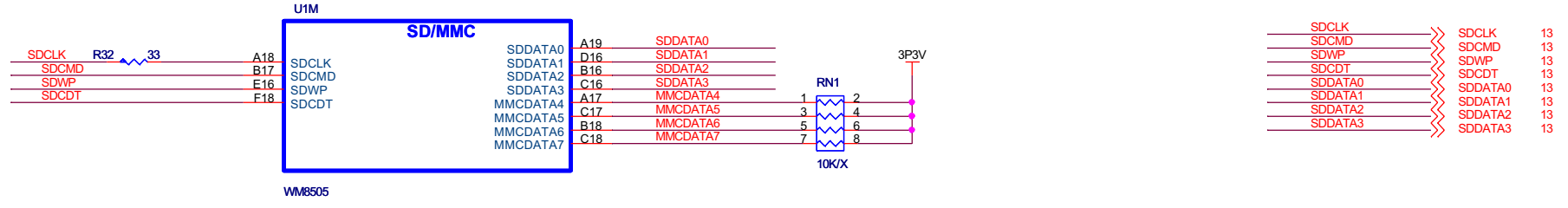


## LCD 3-wire I2C Control:



# WM8505: SD / MMC

## PART: M



# WM8505: I2S

PART: I

(Mike)

U11

## AC97/ I2S

AC97BCLK/I2SDACBCLK  
AC97RST#/I2SDACMCLK  
AC97SYNC/I2SDACLRC  
AC97SDI/I2SDACDAT  
AC97SDO/I2SDACDAT  
RESETOUT#/I2SADCLRC

W22 R33 33 AC97BCLK  
U19 AC97RST  
V22 AC97SYNC  
V20 AC97SDI  
V21 AC97SDO  
Y19 X

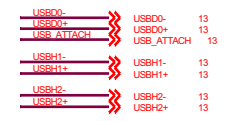
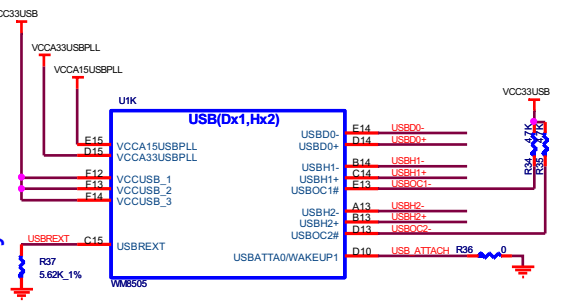
AC97BCLK >> AC97BCLK 13  
AC97RST >> AC97RST 13  
AC97SYNC >> AC97SYNC 13  
AC97SDI >> AC97SDI 13  
AC97SDO >> AC97SDO 13

WM8505

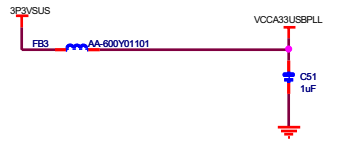
# WM8505: USB (HOST+DEVICE)

PART: K

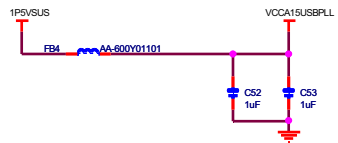
Create PDF with GO2PDF for free, if you wish to remove this line, click here to buy Virtual PDF Printer



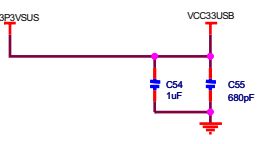
## VCCA33USBPLL (suspend power)



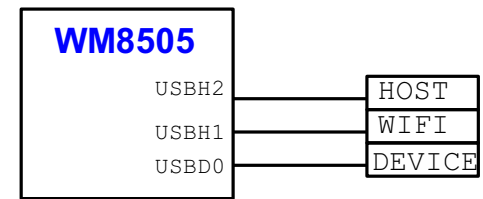
## VCCA15USBPLL (suspend power)



## VCC33USB (suspend power)



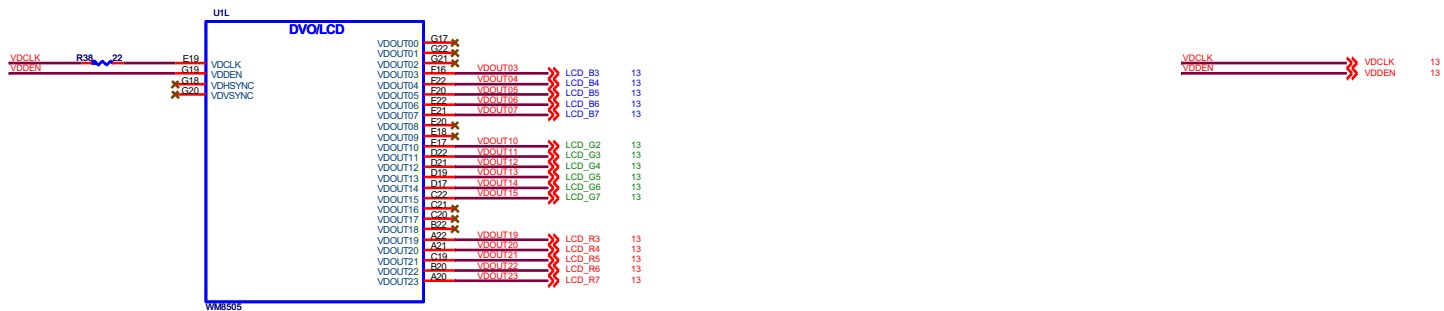
(USBH2) to USB A TYPE HOST single right-angle connector.  
 (USBH1) to WiFi miniCard connector  
 (USB0) to USB mini-B connector.



WM8510: DVO / LCD

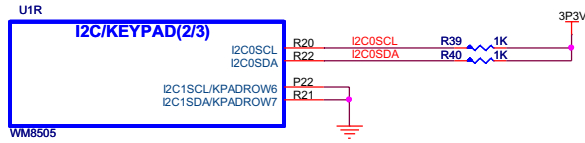
PART: L

Damping Rs (put close to WM8510) --> deleted. no need!



# WM8505: I2C / KEYPAD

PART: R



## I2C ADDRESS TABLE:

BUS	DEVICE	FUNCTION	ADDRESS
I2C0	VT1602	I2S Codec	0x34

VGA EDID:



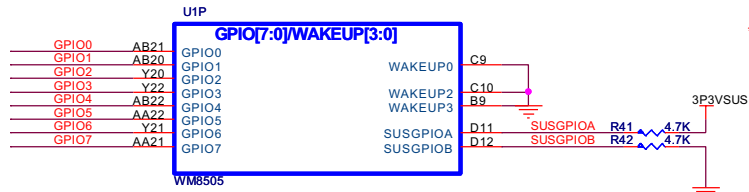
# WM8505: VDIN / CMOS / KEYPAD

PART: J



# WM8505: GPIO+STRAPPING+WAKEUP

## PART: P



**\* IMPORTANT: If IO board not use GPIO, please connect GND;**

### Ethernet MII Mode:

#### GPIO Pins:

#### Function:

GPIO0	DCIN	DCIN Detect
GPIO1	CHARGE	CHARGE STATE
GPIO2	Wifi POWER_DN	Wifi_POWER_DN
GPIO3	MuteGPIO	AC97/I2S Amp ShutDown/Mute GPIO:
GPIO4	RF_POWER_DN	RF_PWRDN
GPIO5	GPIO5	Light_INT
GPIO6	GPIO6	To MP1530 LCD Power ENABLE
GPIO7	GPIO7	SD Card Power

#### STRAPPING:

GPIO0	NORA00	5
GPIO1	NORA02	5
GPIO7	NORA07	5

#### USB2 to WiFi Module:

GPIO4	RF_POWER_DN	13
GPIO2	Wifi_POWER_DN	13

#### Mute GPIO:

GPIO3	MuteGPIO	13
-------	----------	----

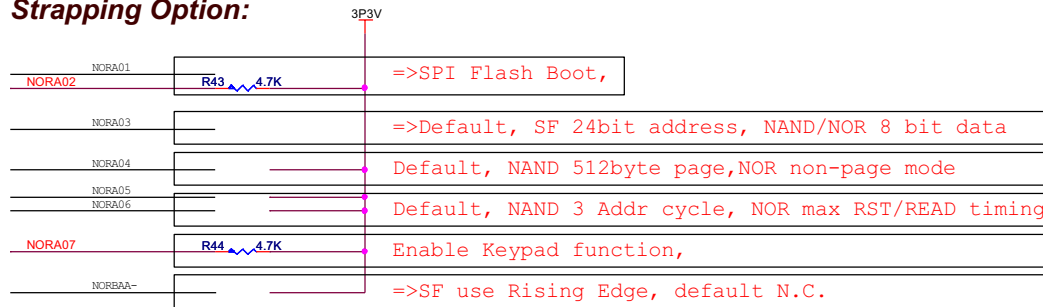
#### Detect DCIN

GPIO0	DCIN	13
-------	------	----

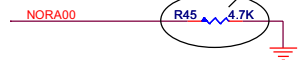
#### LCD CONTROL:

GPIO1	TPINT	13
GPIO5	GPIO5	13
GPIO6	GPIO6	13
GPIO7	GPIO7	13

### Strapping Option:



**\* IMPORTANT: Need PD in normal use.**



### STRAPPING TABLE:

PIN_NAME	RS	ON/OFF	Internal	DESCRIPTIONS
NORA0	R98	ON	PD	Debug Mode, default PD ext.
NORA[2:1]	R221, R109		PD, PD	NOR Boot
NORA3	R220,	ON-OFF		=>SPI Flash Boot,
NORA4	R224	OFF	PD	=>Default, SF 24bit address, NAND/NOR 8 bit data PU ext. SF 32bit address, NAND/NOR 16 bit data
NORA[6:5]	R223, R110	OFF-OFF	PD, PD	Default, NAND 512byte page, NOR non-page mode PU ext. NAND 2K page, NOR page mode
NORA7	R118		PD	Default, NAND 3 Addr cycle, NOR max RST/READ timing PD, PU= NAND 4 Addr cycle
NORBAA-	R222	ON		Disable Keypad function, default N.C.
		OFF		Enable Keypad function,
SUSGPIO[A:B]	R204, R58		PD, PD	=>SF use Rising Edge, default N.C. SF use Falling Edge, need PU ext.
		ON-OFF		RGPII Mode. =>MII MODE

### WARNING:

**ALL others strappings not listed above recommend to use internal settings as default. Otherwise un-expected results may encounter.**

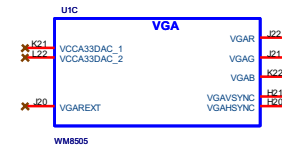
Create PDF with GO2PDF for free, if you wish to remove this line, click here to buy Virtual PDF Printer



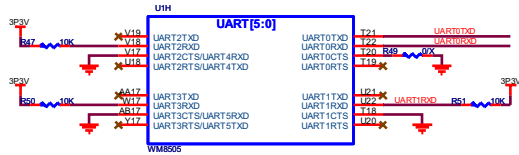
## UART/JTAG:



## VGA (DAC):

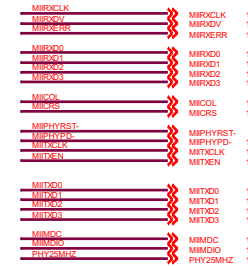
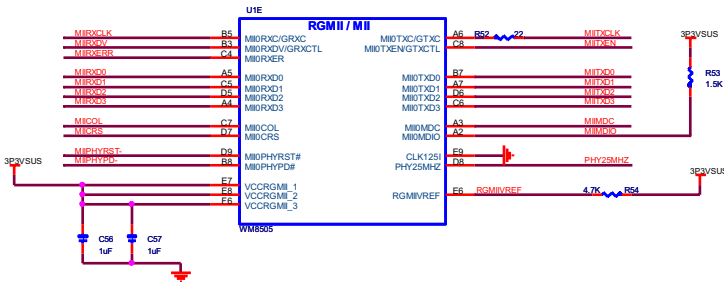


## UART0

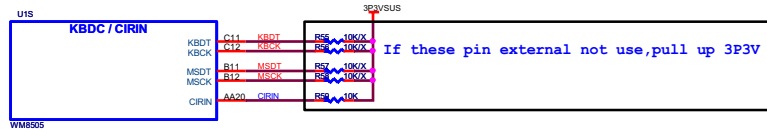


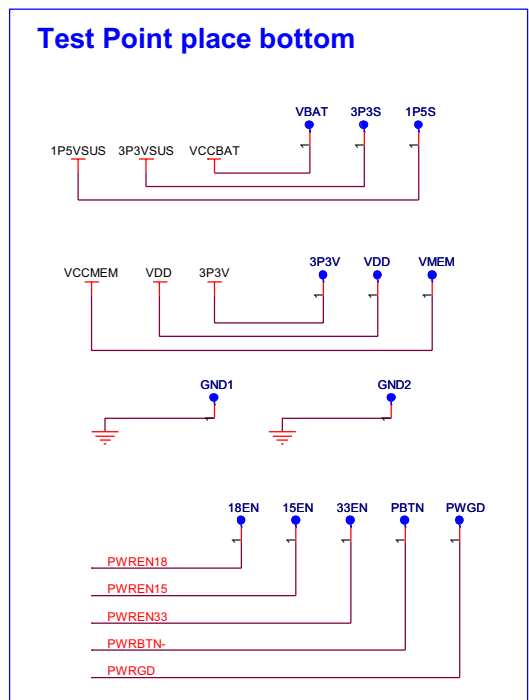
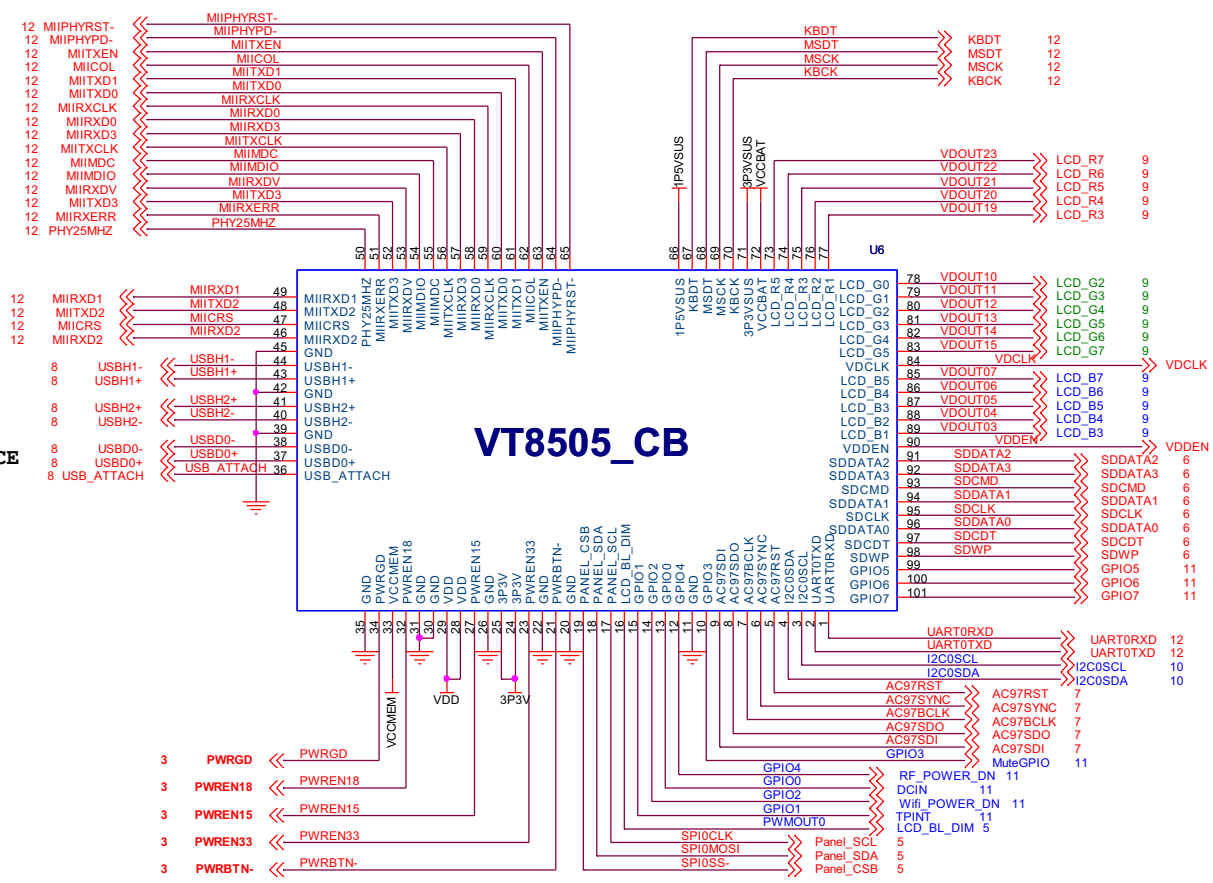
## WM8505: RGMII/MII

PART: E



## WM8505: PS2 KBDC





Power must add test point, and place same Bottom layer:

- 3P3VSUS
- 1P5VSUS
- VCCBAT
- VDD
- 3P3V
- VCCMEM
- GND(2)
- PWRBTN
- PWREN15
- PWREN33
- PWREN18

