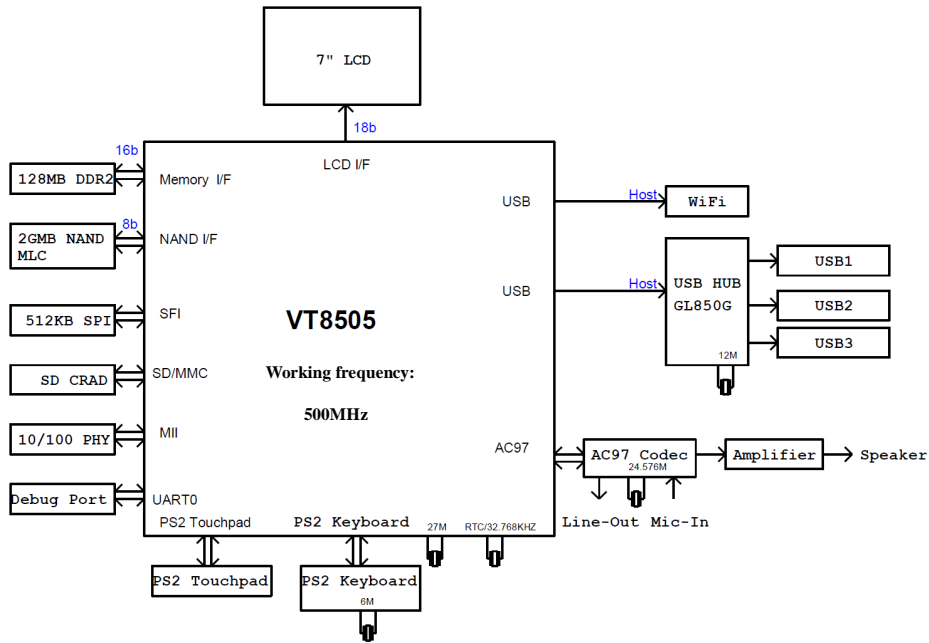


# BV07-SY-8505 SYSTEM BLOCK DIAGRAM



## RF (WIFI) MODULE:

