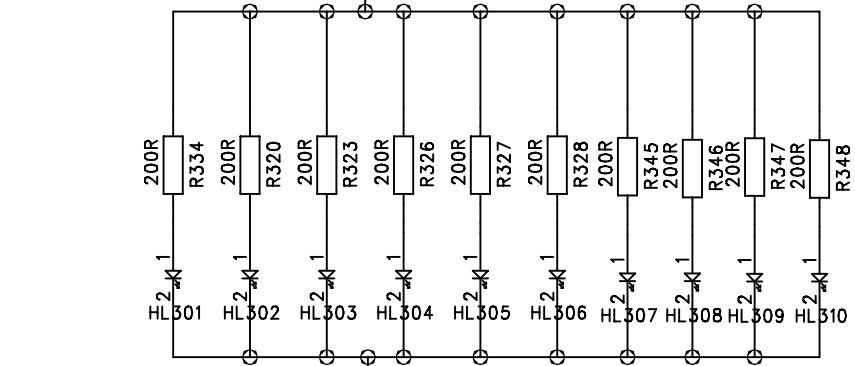
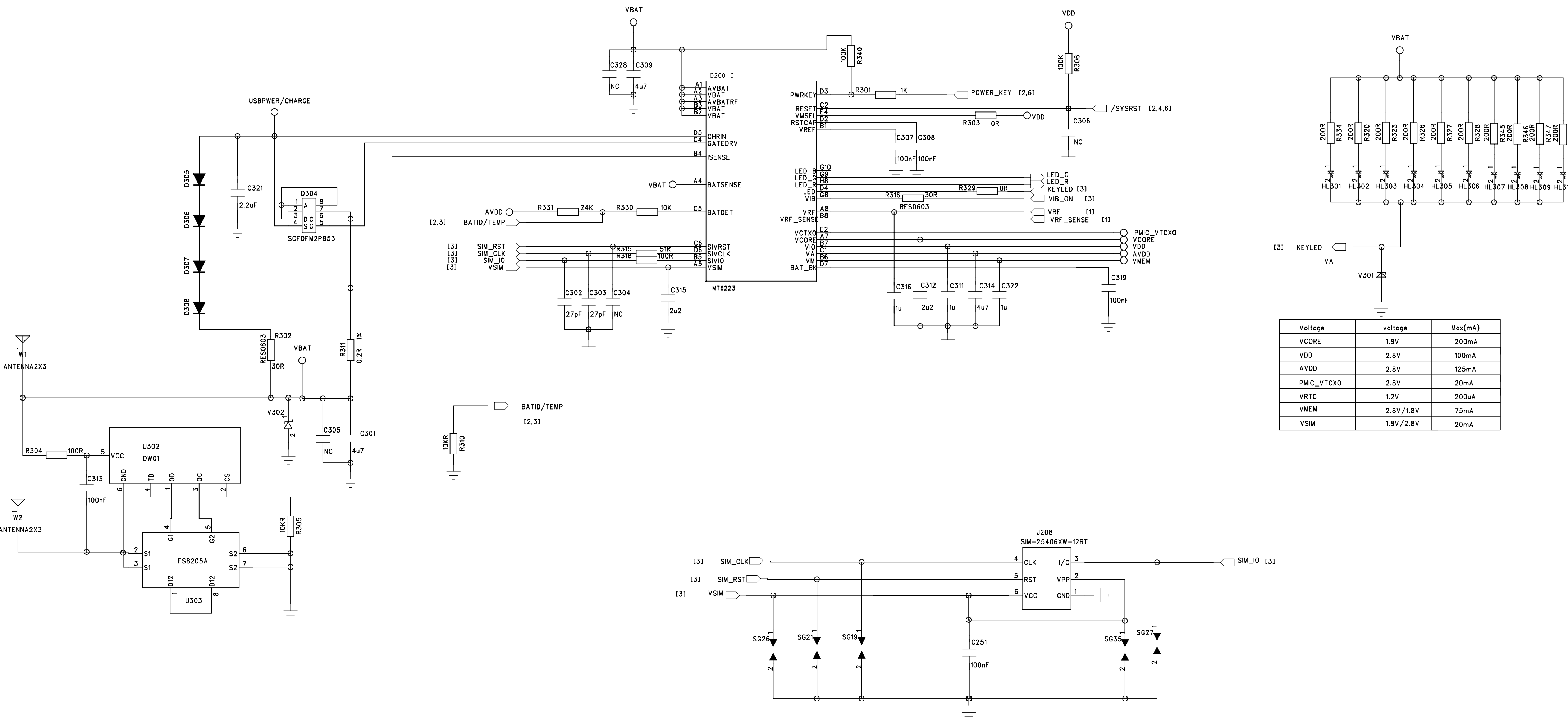
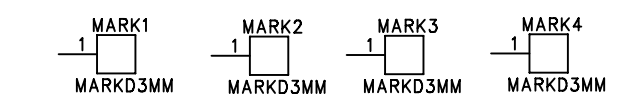
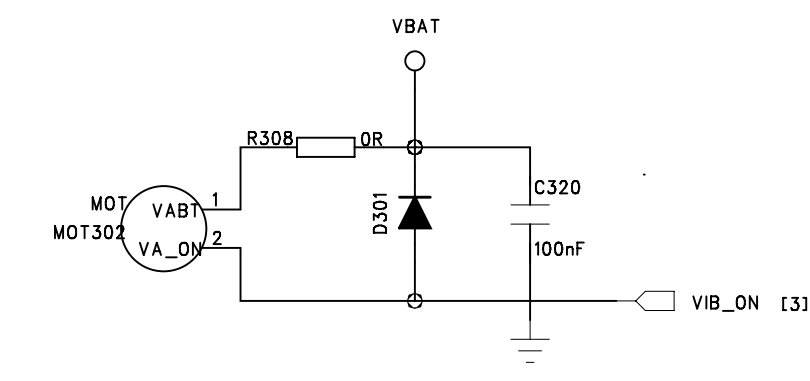
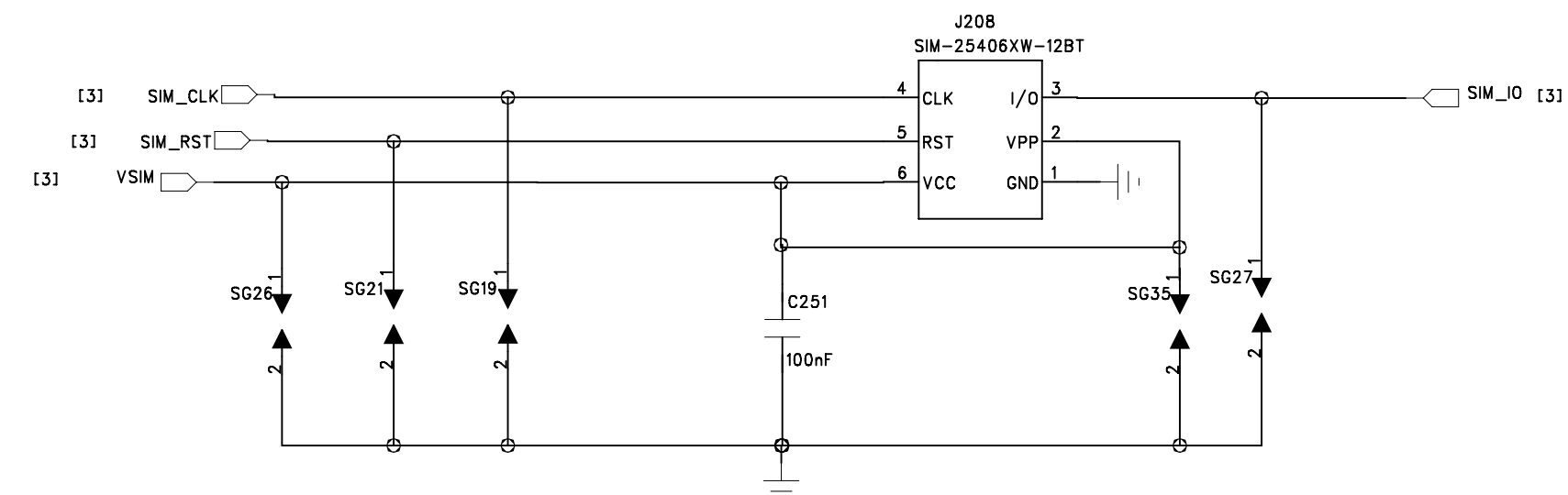


DSM918			
Model			
Title	RF		
Sheet	sheet 1 of 9		
DWG		Date	2009 04 16

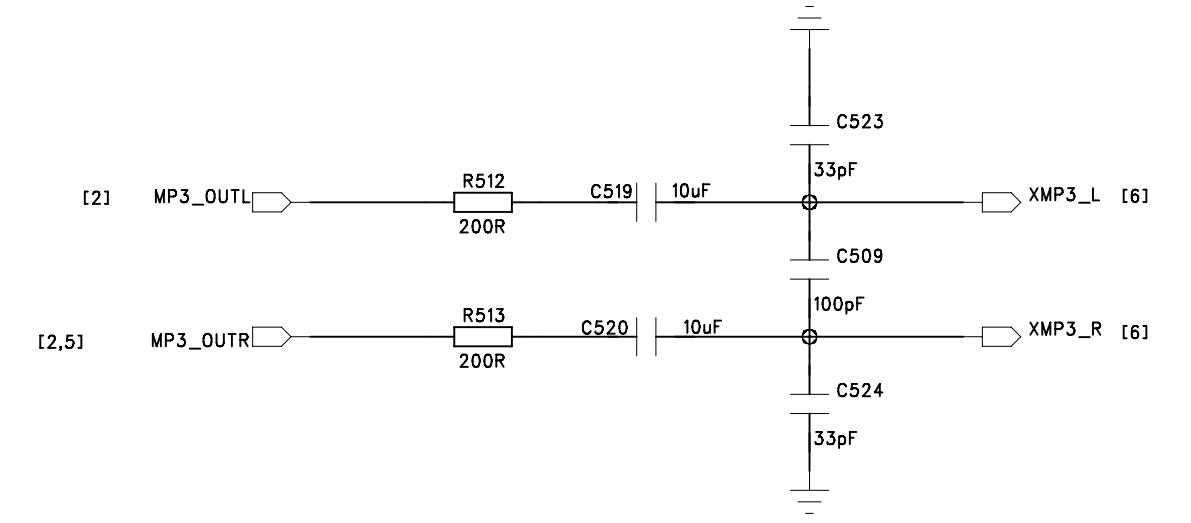
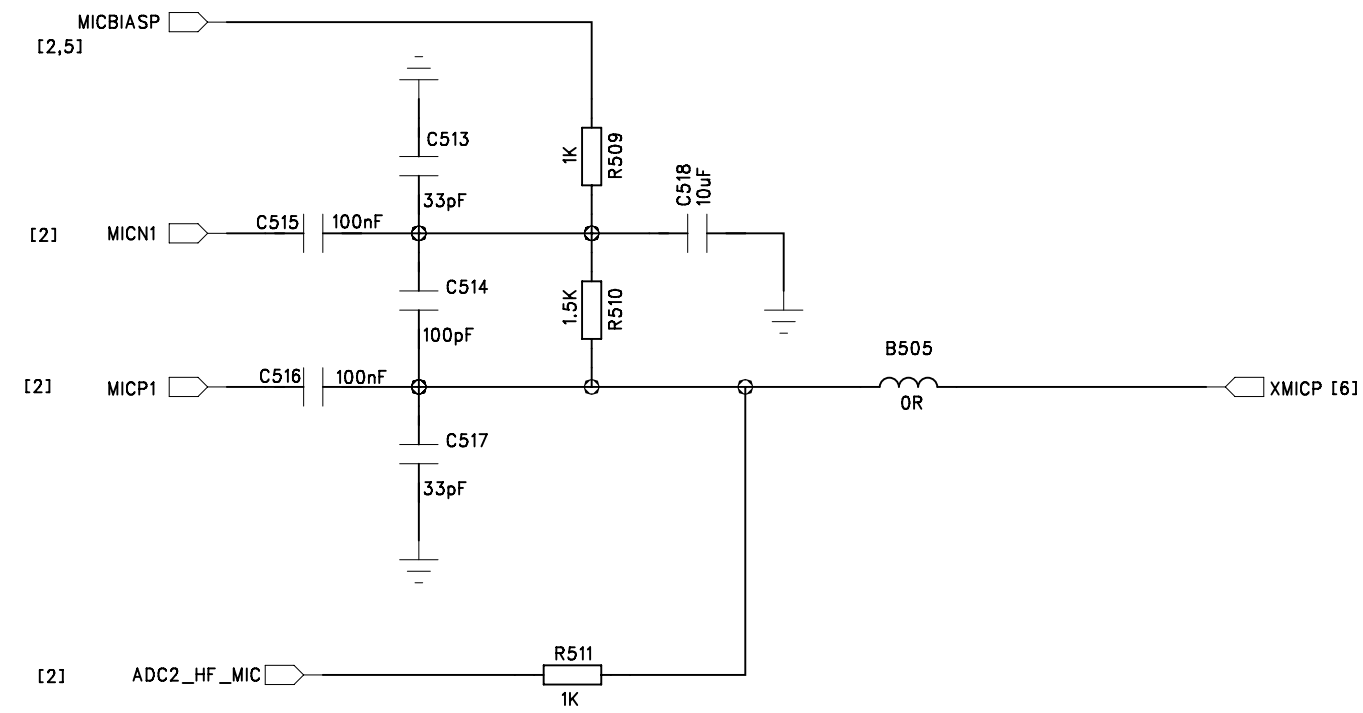


Voltage	voltage	Max(mA)
VCORE	1.8V	200mA
VDD	2.8V	100mA
AVDD	2.8V	125mA
PMIC_VTCXD	2.8V	20mA
VRTC	1.2V	200uA
VMEM	2.8V/1.8V	75mA
VSIM	1.8V/2.8V	20mA



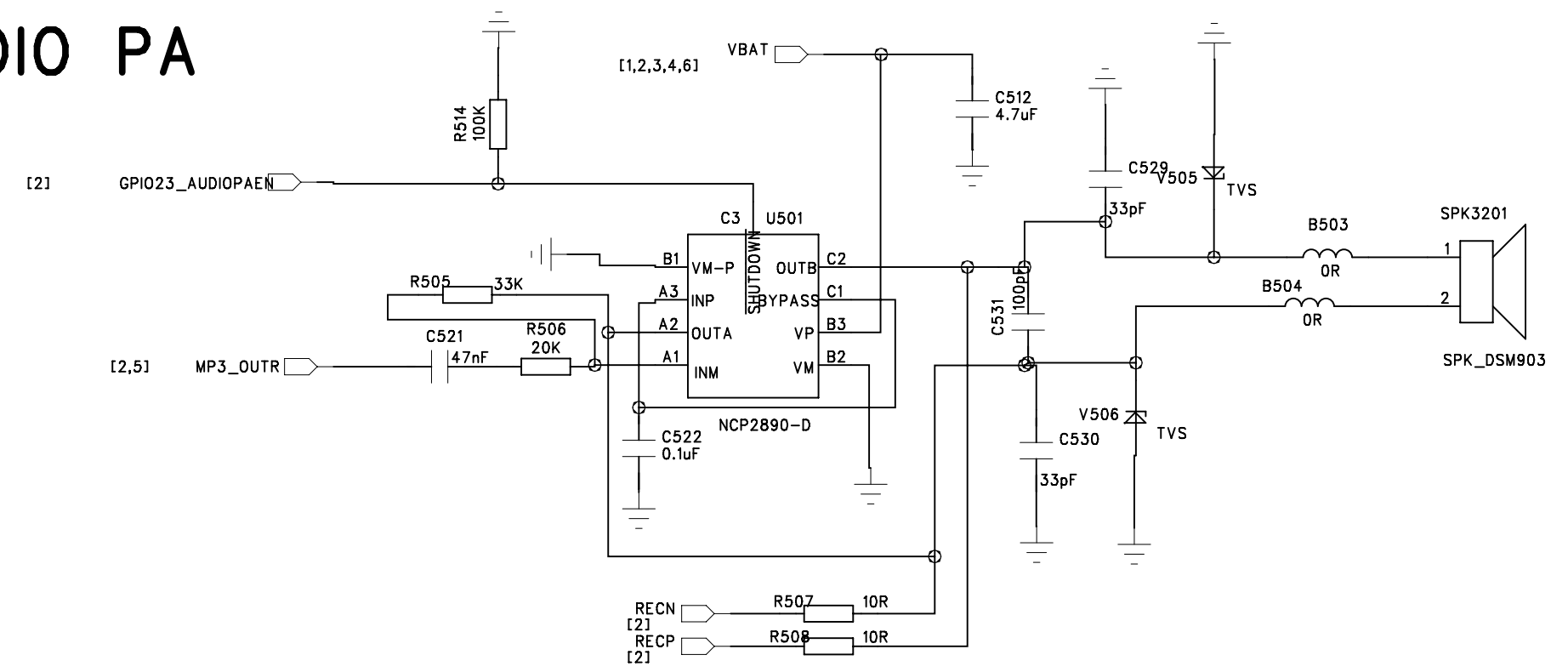
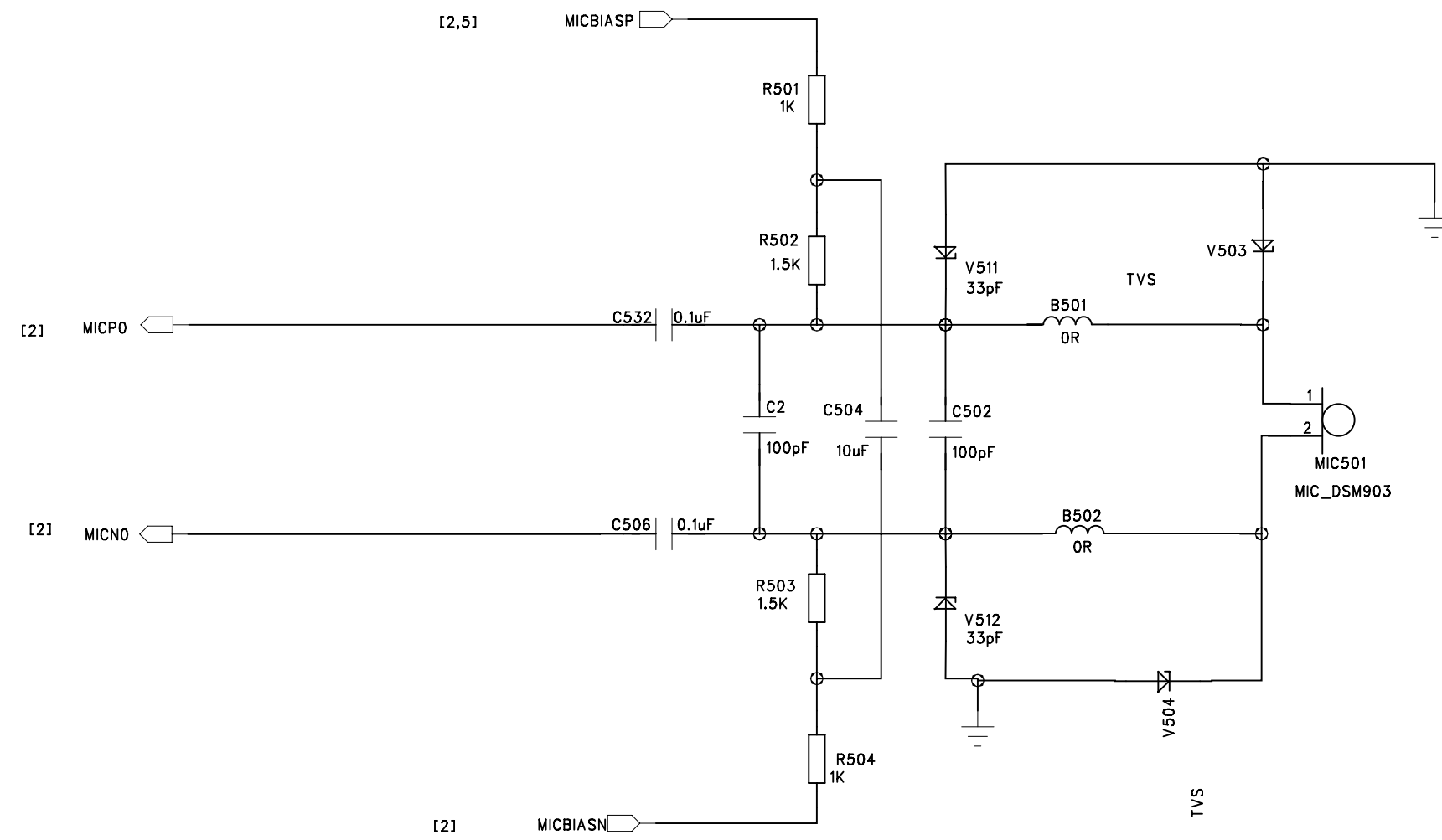
RECEIVER

EARPHONE



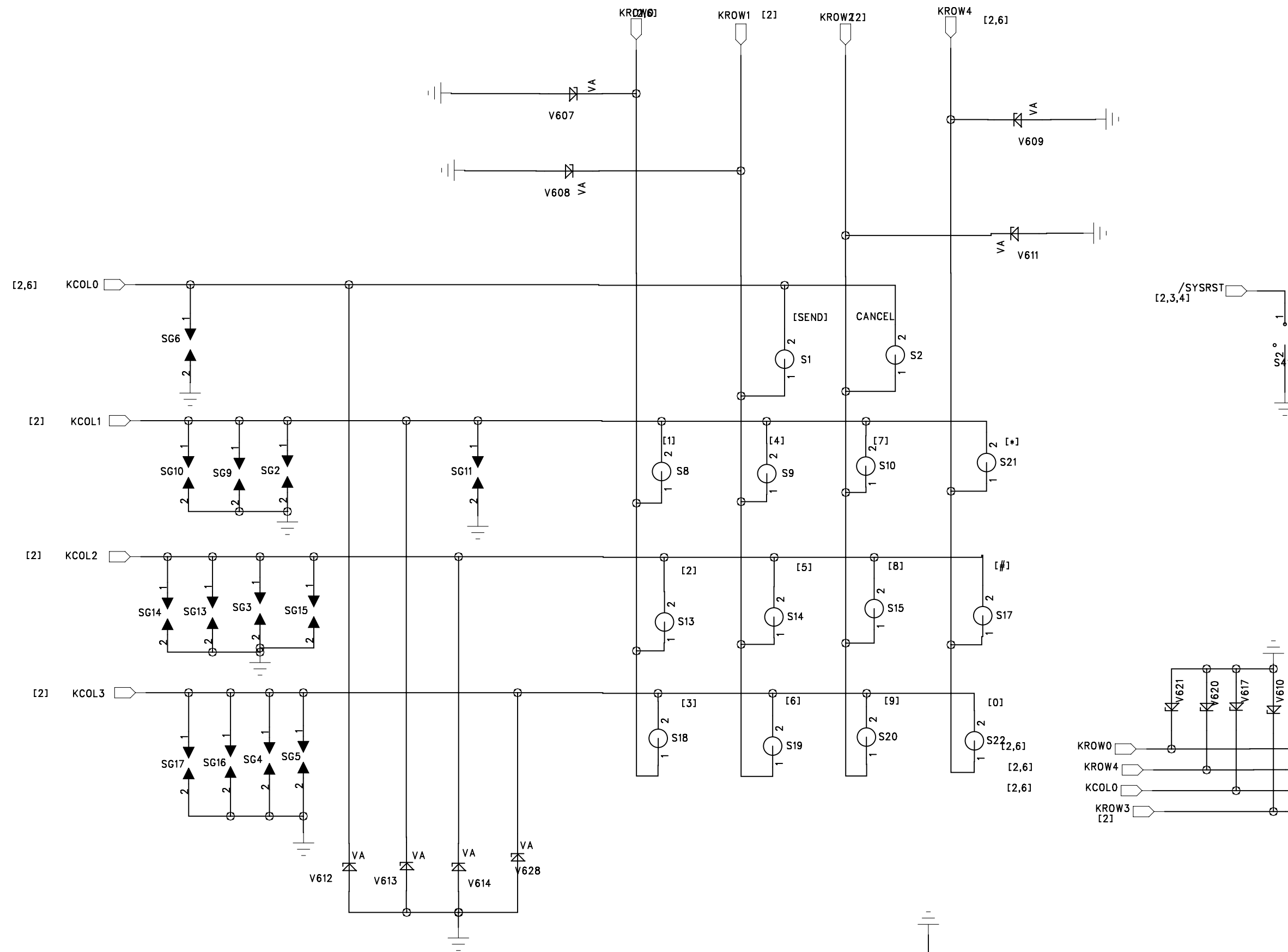
LOCAL MIC

AUDIO PA

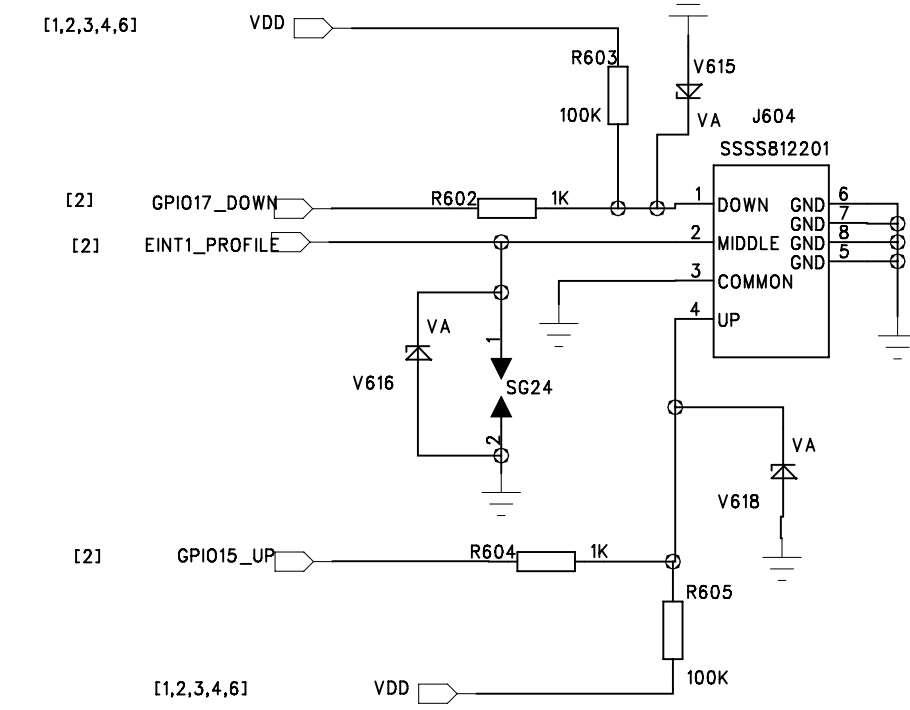


DSM918			
Model			
Title	AUDIO		
Sheet	sheet 5 of 6		
DWG		Date	2009 04 16

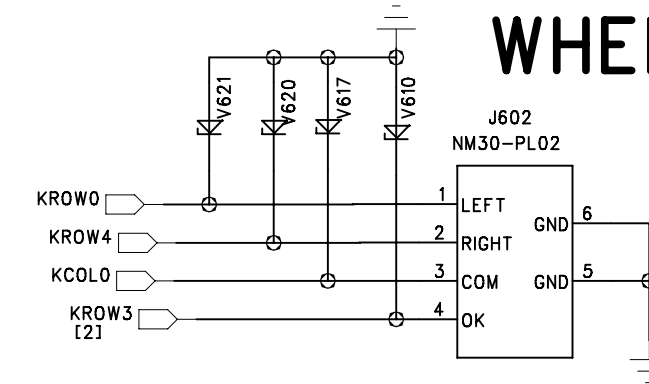
KEYPAD



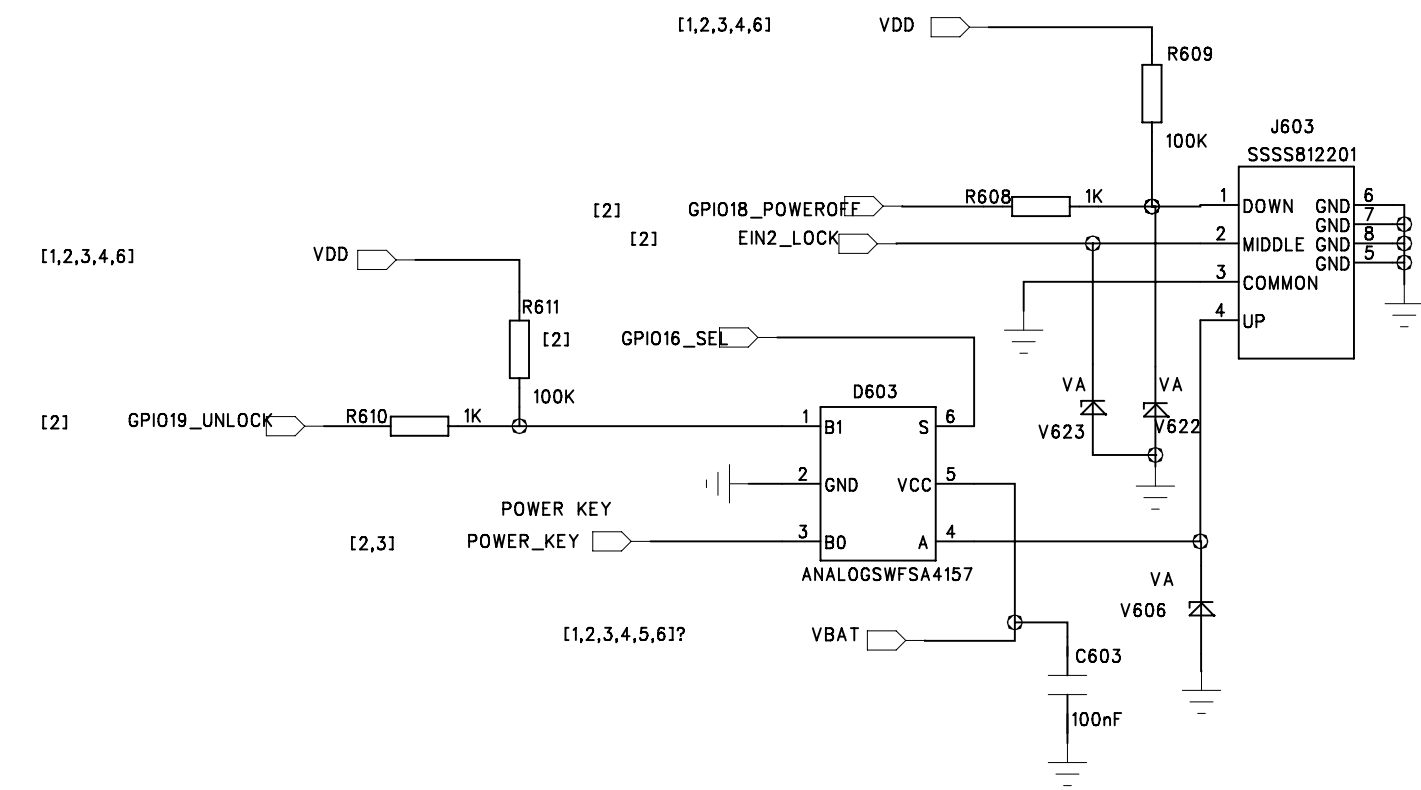
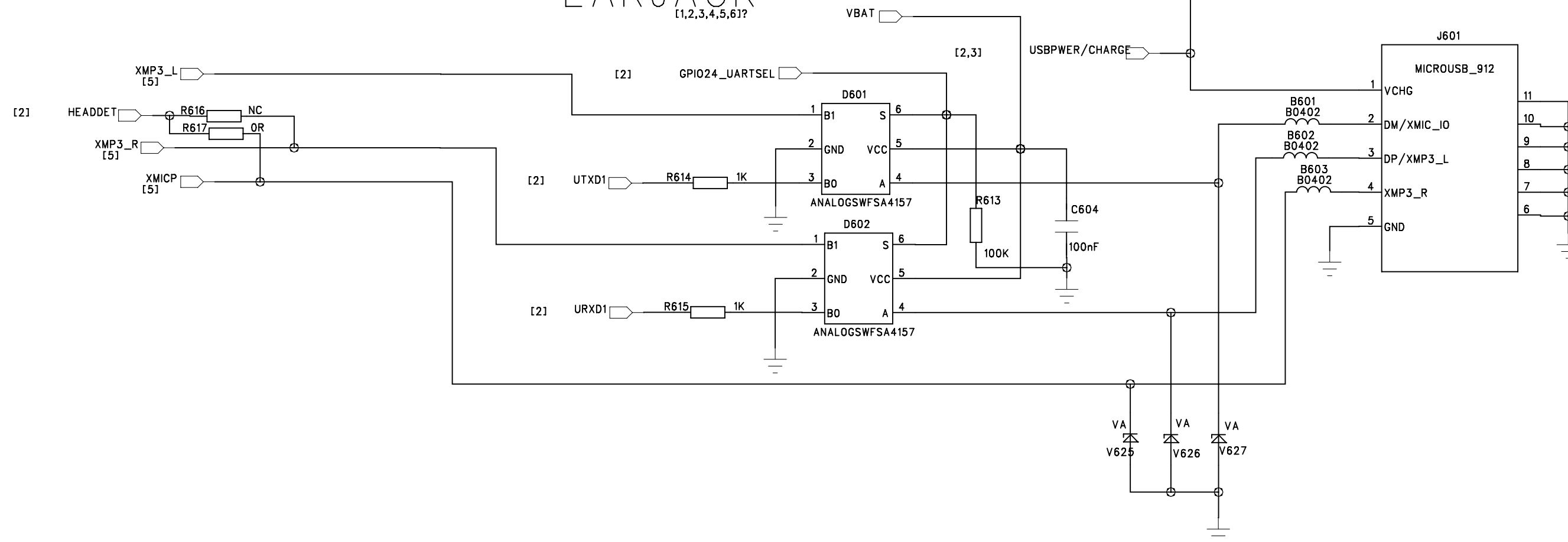
PROFILE



WHEEL



EARJACK



DSM918	
Model	
Title	KEY/SYSTEM_IO
Sheet	sheet 6 of 6
DWG	Date 2009 04 16