

**Product Name: 2CH 2.4GHZ FHSS RADIO CONTROL SYSTEM**

**Model Name: HT-29,HR-29**

**MICRO ROOST: 1/28 SCALE BUGGY**

**ECX00007T1/T2**

**MICRO RUCKUS: 1/28 SCALE MONSTER TRUCK**

**ECX00008T1/T2**

**INSTRUCTION MANUAL**

**BEDIENUNGSANLEITUNG**

**MANUEL D'UTILISATION**

**MANUALE DI ISTRUZIONI**

## NOTICE

All instructions, warranties and other collateral documents are subject to change at the sole discretion of Horizon Hobby, LLC. For up-to-date product literature, visit <http://www.horizonhobby.com> and click on the support tab for this product.

## MEANING OF SPECIAL LANGUAGE

The following terms are used throughout the product literature to indicate various levels of potential harm when operating this product:

**WARNING:** Procedures, which if not properly followed, create the probability of property damage, collateral damage, and serious injury OR create a high probability of superficial injury.

**CAUTION:** Procedures, which if not properly followed, create the probability of physical property damage AND a possibility of serious injury.

**NOTICE:** Procedures, which if not properly followed, create a possibility of physical property damage AND little or no possibility of injury.



**WARNING:** Read the ENTIRE instruction manual to become familiar with the features of the product before operating. Failure to operate the product correctly can result in damage to the product, personal property and cause serious injury.

This is a sophisticated hobby product and NOT a toy. It must be operated with caution and common sense and requires some basic mechanical ability. Failure to operate this Product in a safe and responsible manner could result in injury or damage to the product or other property. This product is not intended for use by children without direct adult supervision. Do not use with incompatible components or alter this product in any way outside of the instructions provided by Horizon Hobby, LLC. This manual contains instructions for safety, operation and maintenance. It is essential to read and follow all the instructions and warnings in the manual, prior to assembly, setup or use, in order to operate correctly and avoid damage or serious injury.

## Safety Precautions and Warnings

### Age Recommendation: Not for children under 14 years. This is not a toy.

As the user of this product, you are solely responsible for operating in a manner that does not endanger yourself and others or result in damage to the product or property of others.

This model is controlled by a radio signal subject to interference from many sources outside your control.

This interference can cause momentary loss of control, so it is advisable to always keep a safe distance in all directions around your model as this margin will help avoid collisions or injury.

- Never operate your model with low transmitter batteries.
- Always operate your model in open spaces away from full-size vehicles, traffic and people.
- Never operate the model in the street or in populated areas for any reason.
- Carefully follow the directions and warnings for this and any optional support equipment (chargers, rechargeable battery packs, etc.) you use.

- Keep all chemicals, small parts and anything electrical out of the reach of children.
- Never lick or place any portion of the model in your mouth as it could cause serious injury or even death.
- Exercise caution when using tools and sharp instruments.
- Take care during maintenance as some parts may have sharp edges.
- Immediately after using your model, do NOT touch equipment such as the motor, electronic speed control and battery, because they generate high temperatures. You may burn yourself seriously touching them.
- Do not put fingers or any objects inside rotating and moving parts, as this may cause damage or serious injury.
- Always turn on your transmitter before you turn on the receiver in the car. Always turn off the receiver before turning your transmitter off.
- Keep the wheels of the model off the ground when checking the operation of the radio equipment.

## BOX CONTENTS

- ECX® Micro Roost® Buggy (ECX00007T1/T2) or ECX® Micro Ruckus® Monster Truck (ECX00008T1/T2)
- 2-CH Transmitter
- AA (4) Batteries
- 3.7V 200mAh 1S Lipo Battery (ECX10017)



## SPECIFICATIONS

### Transmitter

Frequency	241.5MHz-244.6MHz
Battery	AA x 4

### Truck

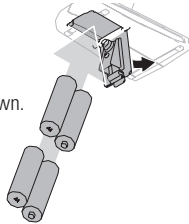
Power Supply	One Cell 200mAh Li-Po
Run Time	10 min

## TRANSMITTER OPERATION

### INSTALLING TRANSMITTER BATTERIES

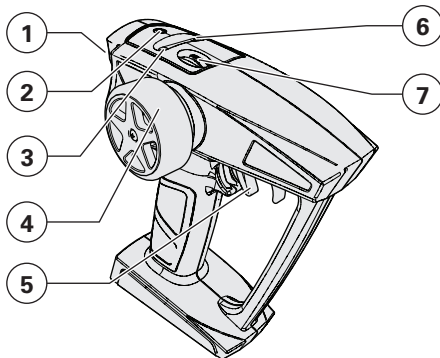
This transmitter requires 4 AA batteries.

1. Open the battery cover.
2. Install the batteries as shown.
3. Close the battery cover.



- CAUTION:** NEVER remove the transmitter batteries while the model is powered on. Loss of model control, damage or injury may occur.
- CAUTION:** If using rechargeable batteries, charge only rechargeable batteries. Charging non-rechargeable batteries may cause the batteries to burst, resulting in injury to persons and/or damage to property.
- CAUTION:** Risk of explosion if battery is replaced by an incorrect type. Dispose of used batteries according to national regulations.

### TRANSMITTER CONTROLS



1. **ON/OFF Switch** Turns the power ON/OFF for the transmitter
2. **Bind Button** Connects transmitter to vehicle
3. **Indicator Light**
  - **Green light**—Indicates the transmitter is powered on.
4. **Steering Wheel** Controls direction (left/right) of the model
5. **Throttle Trigger** Controls speed and direction (forward/brake/reverse) of the model
6. **Indicator Light**
  - **Red Charging light**—Indicates the transmitter is connected to the vehicle and is charging the battery.
7. **ST Trim** Adjusts the steering center point

## CHARGING WARNINGS

**⚠ CAUTION:** All instructions and warnings must be followed exactly. Mishandling of Li-Po batteries can result in a fire, personal injury and/or property damage.

### • NEVER LEAVE CHARGING BATTERIES UNATTENDED.

### • NEVER CHARGE BATTERIES OVERNIGHT.

- By handling, charging or using the included Li-Po battery, you assume all risks associated with lithium batteries.
- If at any time the battery begins to balloon or swell, discontinue use immediately. If charging or discharging, discontinue and disconnect. Continuing to use, charge or discharge a battery that is ballooning or swelling can result in fire.
- Always store the battery at room temperature in a dry area for best results.
- Do not store battery or model in a car or direct sunlight. If stored in a hot car, the battery can be damaged or even catch fire.

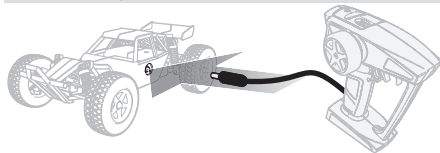
- Always charge batteries away from flammable materials.
- Always inspect the battery before charging
- Always disconnect the battery after charging, and let the charger cool between charges.
- Always constantly monitor the temperature of the battery pack while charging.
- ONLY USE A CHARGER SPECIFICALLY DESIGNED TO CHARGE LI-PO BATTERIES. Failure to charge the battery with a compatible charger may cause a fire resulting in personal injury and/or property damage.
- Never discharge Li-Po cells to below 3V under load.
- Never cover warning labels with hook and loop strips.
- Never charge batteries outside recommended levels.
- Never charge damaged batteries.
- Never attempt to dismantle or alter the charger.
- Never allow minors to charge battery packs.
- Never charge batteries in extremely hot or cold places (recommended between 40–120° F or (5–49° C) or place in direct sunlight.

## VEHICLE PREPARATIONS

### CHARGE THE BATTERY

**⚠ CAUTION:** Never exceed the recommended charge rate. The included transmitter has a built-in charger designed to safely charge the 1S 3.7V 200mAh Li-Po battery (ECX100017).

**NOTICE:** Inspect the battery to make sure it is not damaged e.g., swollen, bent, broken or punctured. Charge only batteries that are cool to the touch and are not damaged.



Insert the charge lead from the transmitter into the charge port on the side of the vehicle. The red LED on the top of the transmitter indicates charge status.

**CHARGING** (Solid Red LED)

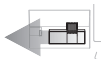
**MAX CHARGE** (LED OFF)

Always disconnect the battery from the charger immediately upon completion of charging.

**⚠ CAUTION:** Once charging is complete, immediately disconnect the charge cord. Never leave a battery connected to the charger.

### GETTING STARTED

1. Power on the vehicle with the switch on the bottom of the chassis.
2. Power on the transmitter. The green LED on the transmitter will stay illuminated when the transmitter connects to the vehicle.
3. Perform a test of the transmitter's control of the vehicle with the vehicle's wheels off the ground.
4. Start driving slowly, and, if the vehicle does not go straight, adjust the steering trim dial on the transmitter.



**⚠ CAUTION:** The Micro Roost and Micro Ruckus are intended for dry operating conditions. Do not drive the Micro Roost or Micro Ruckus in rain or on wet surfaces.

### AFTER DRIVING

1. Power off the vehicle.
2. Power off the transmitter.
3. Recharge the battery.

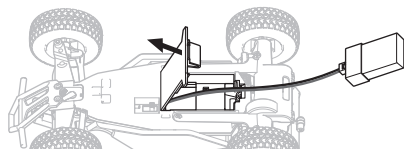
### BIND PROCEDURE

1. Press the Bind button on the transmitter and power it on. The transmitter red LED will flash for 20 seconds indicating it is in Bind mode.
2. Power the vehicle on while the transmitter is in Bind mode.
3. The LED on the vehicle will stay illuminated when binding is complete.

## REPLACING THE BATTERY IN THE VEHICLE

1. Open the battery cover.
2. Remove the battery and unplug it from the vehicle.
3. Plug the new battery into the vehicle
4. Insert the battery into the battery tray.
5. Close the battery cover.

**CAUTION:** Connecting the battery to the vehicle with reversed polarity will cause damage to the truck, the battery or both. Damage caused by incorrectly connecting the battery is not covered under warranty.



Replacement parts	
Part	Description
ECX10017	3.7V 200mAh 1S Lipo Battery: 1/28 ECX Roost/Ruckus
ECX201018	Chassis w/Motor & Electronics: 1/28 Roost
ECX201019	Chassis w/Motor & Electronics: 1/28 Ruckus

## TROUBLESHOOTING GUIDE

Problem	Possible Cause	Solution
Car does not drive straight	Steering trim on transmitter not centered	Adjust steering trim on transmitter so the vehicle drives straight

## LIMITED WARRANTY

### What this Warranty Covers

Horizon Hobby, LLC, (Horizon) warrants to the original purchaser that the product purchased (the "Product") will be free from defects in materials and workmanship at the date of purchase.

### What is Not Covered

This warranty is not transferable and does not cover (i) cosmetic damage, (ii) damage due to acts of God, accident, misuse, abuse, negligence, commercial use, or due to improper use, installation, operation or maintenance, (iii) modification of or to any part of the Product, (iv) attempted service by anyone other than a Horizon Hobby authorized service center, (v) Product not purchased from an authorized Horizon dealer, or (vi) Product not compliant with applicable technical regulations or (vii) use that violates any applicable laws, rules, or regulations.

OTHER THAN THE EXPRESS WARRANTY ABOVE, HORIZON MAKES NO OTHER WARRANTY OR REPRESENTATION, AND HEREBY DISCLAIMS ANY AND ALL IMPLIED WARRANTIES, INCLUDING, WITHOUT LIMITATION, THE IMPLIED WARRANTIES OF NON-INFRINGEMENT, MERCHANTABILITY AND FITNESS FOR A PARTICULAR PURPOSE. THE PURCHASER ACKNOWLEDGES THAT THEY ALONE HAVE DETERMINED THAT THE PRODUCT WILL SUITABLY MEET THE REQUIREMENTS OF THE PURCHASER'S INTENDED USE.

### Purchaser's Remedy

Horizon's sole obligation and purchaser's sole and exclusive remedy shall be that Horizon will, at its option, either (i) service, or (ii) replace, any Product determined by Horizon to be defective. Horizon reserves the right to inspect any and all Product(s) involved in a warranty claim. Service or replacement decisions are at the sole discretion of Horizon. Proof of purchase is required for all warranty claims. SERVICE OR REPLACEMENT AS PROVIDED UNDER THIS WARRANTY IS THE PURCHASER'S SOLE AND EXCLUSIVE REMEDY.

### Limitation of Liability

HORIZON SHALL NOT BE LIABLE FOR SPECIAL, INDIRECT, INCIDENTAL OR CONSEQUENTIAL DAMAGES, LOSS OF PROFITS OR PRODUCTION OR COMMERCIAL LOSS IN ANY WAY, REGARDLESS OF WHETHER SUCH CLAIM IS BASED IN CONTRACT, WARRANTY, TORT, NEGLIGENCE, STRICT LIABILITY OR ANY OTHER THEORY OF LIABILITY, EVEN IF HORIZON HAS BEEN ADVISED OF THE POSSIBILITY OF SUCH DAMAGES. Further, in no event shall the liability of Horizon exceed the individual price of the Product on which liability is asserted. As Horizon has no control over use, setup, final assembly, modification or misuse, no liability shall be assumed or accepted for any resulting damage or injury. By the act of use, setup or assembly, the user accepts all resulting liability. If you as the purchaser or user are not prepared to accept the liability associated with the use of the Product, purchaser is advised to return the Product immediately in new and unused condition to the place of purchase.

## Law

These terms are governed by Illinois law (without regard to conflict of law principals). This warranty gives you specific legal rights, and you may also have other rights which vary from state to state. Horizon reserves the right to change or modify this warranty at any time without notice.

## WARRANTY SERVICES

### Questions, Assistance, and Services

Your local hobby store and/or place of purchase cannot provide warranty support or service. Once assembly, setup or use of the Product has been started, you must contact your local distributor or Horizon directly. This will enable Horizon to better answer your questions and service you in the event that you may need any assistance. For questions or assistance, please visit our website at [www.horizonhobby.com](http://www.horizonhobby.com), submit a Product Support Inquiry, or call the toll free telephone number referenced in the Warranty and Service Contact Information section to speak with a Product Support representative.

### Inspection or Services

If this Product needs to be inspected or serviced and is compliant in the country you live and use the Product in, please use the Horizon Online Service Request submission process found on our website or call Horizon to obtain a Return Merchandise Authorization (RMA) number. Pack the Product securely using a shipping carton. Please note that original boxes may be included, but are not designed to withstand the rigors of shipping without additional protection. Ship via a carrier that provides tracking and insurance for lost or damaged parcels, as Horizon is not responsible for merchandise until it arrives and is accepted at our facility. An Online Service Request is available at [http://www.horizonhobby.com/content/service-center\\_render-service-center](http://www.horizonhobby.com/content/service-center_render-service-center). If you do not have internet access, please contact Horizon Product Support to obtain a RMA number along with instructions for submitting your product for service. When calling Horizon, you will be asked to provide your complete name, street address, email address and phone number where you can be reached during business hours. When sending product into Horizon, please include your RMA number, a list of the included items, and a brief summary of the problem. A copy of your original

sales receipt must be included for warranty consideration. Be sure your name, address, and RMA number are clearly written on the outside of the shipping carton.

**NOTICE: Do not ship Li-Po batteries to Horizon. If you have any issue with a Li-Po battery, please contact the appropriate Horizon Product Support office.**

### Warranty Requirements

**For Warranty consideration, you must include your original sales receipt verifying the proof-of-purchase date.** Provided warranty conditions have been met, your Product will be serviced or replaced free of charge. Service or replacement decisions are at the sole discretion of Horizon.

### Non-Warranty Service

**Should your service not be covered by warranty, service will be completed and payment will be required without notification or estimate of the expense unless the expense exceeds 50% of the retail purchase cost.**

By submitting the item for service you are agreeing to payment of the service without notification. Service estimates are available upon request. You must include this request with your item submitted for service. Non-warranty service estimates will be billed a minimum of ½ hour of labor. In addition you will be billed for return freight. Horizon accepts money orders and cashier's checks, as well as Visa, MasterCard, American Express, and Discover cards. By submitting any item to Horizon for service, you are agreeing to Horizon's Terms and Conditions found on our website [http://www.horizonhobby.com/content/service-center\\_render-service-center](http://www.horizonhobby.com/content/service-center_render-service-center).

**ATTENTION: Horizon service is limited to Product compliant in the country of use and ownership. If received, a non-compliant Product will not be serviced. Further, the sender will be responsible for arranging return shipment of the un-serviced Product, through a carrier of the sender's choice and at the sender's expense. Horizon will hold non-compliant Product for a period of 60 days from notification, after which it will be discarded.**

10/15

Country of Purchase	Horizon Hobby	Contact Information	Address
United States of America	Horizon Service Center (Repairs and Repair Requests)	<a href="http://servicecenter.horizonhobby.com/RequestForm/">servicecenter.horizonhobby.com/ RequestForm/</a>	1608 Interstate Dr Champaign, Illinois, 61822 USA
	Horizon Product Support (Product Technical Assistance)	<a href="mailto:productsupport@horizonhobby.com">productsupport@horizonhobby.com</a> 877-504-0233	
	Sales	<a href="mailto:websales@horizonhobby.com">websales@horizonhobby.com</a> 800-338-4639	
European Union	Horizon Technischer Service Sales: Horizon Hobby GmbH	<a href="mailto:service@horizonhobby.eu">service@horizonhobby.eu</a> +49 (0) 4121 2655 100	Hanskampring 9 D 22885 Barsbüttel, Germany

## FCC STATEMENT

### FCC ID: XJ6HT-29

This equipment has been tested and found to comply with the limits for Part 15 of the FCC rules. These limits are designed to provide reasonable protection against harmful interference in a residential installation. This equipment generates uses and can radiate radio frequency energy and, if not installed and used in accordance with the instructions, may cause harmful interference to radio communications.

However, there is no guarantee that interference will not occur in a particular installation. If this equipment does cause harmful interference to radio or television reception, which can be determined by turning the equipment off and on, the user is encouraged to try to correct the interference by one or more of the following measures:

#### RF exposure statement:

This equipment complies with FCC radiation exposure limits set forth for an uncontrolled environment, this device has been evaluated to meet general RF exposure requirement, The device can be used in portable exposure condition without restriction.

The distance close to the finger usually should be 26mm.

- Reorient or relocate the receiving antenna.
- Increase the separation between the equipment and receiver.
- Connect the equipment to an outlet on a circuit different from that to which the receiver is connected.
- Consult the dealer or an experienced radio/TV technician for help.

This device complies with part 15 of the FCC rules.

Operation is subject to the following two conditions:

- (1) This device may not cause harmful interference, and
- (2) this device must accept any interference received, including interference that may cause undesired operation.

**NOTICE:** Modifications to this product will void the user's authority to operate this equipment.

## IC INFORMATION

### IC: 8786A-HT29

This device complies with Industry Canada licence-exempt RSS standard(s). Operation is subject to the following two conditions: (1) this device may not cause interference, and (2) this device must accept any interference, including interference that may cause undesired operation of the device.

Le présent appareil est conforme aux CNR d'ISED applicables aux appareils radio exempts de licence.

L'exploitation est autorisée aux deux conditions suivantes:

(1) l'appareil ne doit pas produire de brouillage, et


(2) l'utilisateur de l'appareil doit accepter tout brouillage radioélectrique subi, même si le brouillage

est susceptible d'en compromettre le fonctionnement.

Déclaration d'exposition RF: Cet équipement est conforme aux limites d'exposition aux rayonnements de la FCC définies pour un environnement non contrôlé. Cet appareil a été évalué pour répondre aux exigences générales en matière d'exposition aux RF. Cet appareil peut être utilisé sans restriction dans des conditions d'exposition portables. La distance proche du doigt devrait normalement être de 26 mm.

## EU INFORMATION

### EU Compliance Statement:

 Horizon Hobby, LLC hereby declares that this product is in compliance with the essential requirements and other relevant provisions of the RED and EMC directives.

A copy of the EU Declaration of Conformity is available online at:  
<http://www.horizonhobby.com/content/support-render-compliance>.



### Instructions for disposal of WEEE by users in the European Union



This product must not be disposed of with other waste. Instead, it is the user's responsibility to dispose of their waste equipment by handing it over to a designated collection point for the recycling of waste electrical and electronic equipment. The separate collection and recycling of your waste equipment at the time of disposal will help to conserve natural resources and ensure that it is recycled in a manner that protects human health and the environment. For more information about where you can drop off your waste equipment for recycling, please contact your local city office, your household waste disposal service or where you purchased the product.

## HINWEIS

Alle Anweisungen, Garantien und dazugehörigen Dokumente können ohne Ankündigung von Horizon Hobb, LLC geändert werden. Eine aktuelle Version ersehen Sie bitte im Support Feld unter: <http://www.horizonhobby.com>.

## ERKLÄRUNG DER BEGRIFFE

Begriffe werden in der gesamten Produktliteratur verwendet, um auf unterschiedlich hohe Gefahrenrisiken beim Betrieb dieses Produkts hinzuweisen:

**HINWEIS:** Wenn diese Verfahren nicht korrekt befolgt werden, können sich möglicherweise Sachschäden UND geringe oder keine Gefahr von Verletzungen ergeben.

**ACHTUNG:** Wenn diese Verfahren nicht korrekt befolgt werden, ergeben sich wahrscheinlich Sachschäden UND die Gefahr von schweren Verletzungen.

**WARNUNG:** Wenn diese Verfahren nicht korrekt befolgt werden, ergeben sich wahrscheinlich Sachschäden, Kolateralschäden und schwere Verletzungen ODER mit hoher Wahrscheinlichkeit oberflächliche Verletzungen.

 **WARNUNG:** Lesen Sie die GESAMTE Bedienungsanleitung, um sich vor dem Betrieb mit den Produktfunktionen vertraut zu machen. Wird das Produkt nicht korrekt betrieben, kann dies zu Schäden am Produkt oder persönlichem Eigentum führen oder schwere Verletzungen verursachen.

Dies ist ein hochentwickeltes Hobby-Produkt. Es muss mit Vorsicht und gesundem Menschenverstand betrieben werden und benötigt gewisse mechanische Grundfähigkeiten. Wird dieses Produkt nicht auf eine sichere und verantwortungsvolle Weise betrieben, kann dies zu Verletzungen oder Schäden am Produkt oder anderen Sachwerten führen. Verwenden Sie das Produkt nicht mit inkompatiblen Komponenten oder verändern es in jedweder Art ausserhalb der von Horizon Hobby, LLC vorgegebenen Anweisungen. Diese Bedienungsanleitung enthält Anweisungen für Sicherheit, Betrieb und Wartung. Es ist unbedingt notwendig, vor Zusammenbau, Einrichtung oder Verwendung alle Anweisungen und Warnhinweise im Handbuch zu lesen und zu befolgen, damit es bestimmungsgemäß betrieben werden kann und Schäden oder schwere Verletzungen vermieden werden.

## Sicherheitshinweise und Warnungen

### Nicht geeignet für Kinder unter 14 Jahren. Dies ist kein Spielzeug.

Als Nutzer dieses Produktes, sind Sie allein verantwortlich, es in einer Art und Weise zu benutzen, die eine eigene Gefährdung und die anderer oder Beschädigung an anderem Eigentum ausschließt.

Das Modell ist ferngesteuert und anfällig für bestimmte äußere Einflüsse. Diese Einflüsse können zum vorübergehenden Verlust der Steuerfähigkeit führen, so dass es immer sinnvoll ist genügend Sicherheitsabstand in alle Richtungen um das Modell zu haben.

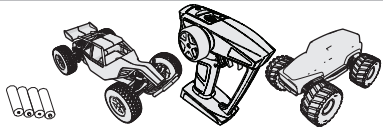
- Fahren Sie das Modell nie mit fast leeren oder schwachen Senderbatterien.
- Betreiben Sie Ihr Modell stets auf offenen Geländen, weit ab von Automobilen, Verkehr und Menschen.
- Fahren Sie Ihr Modell nicht auf der Straße oder belebten Plätzen.
- Beachten Sie vorsichtig alle Hinweise und Warnungen für das Modell und allen dazu gehörigen Equipment.
- Halten Sie alle Chemikalien, Kleinteile und elektrische Bauteile aus der Reichweite von Kindern.

- Lecken Sie niemals an Teilen von Ihrem Modell oder nehmen diese in den Mund, da diese Sie ernsthaft verletzen oder töten können.
- Seien Sie immer aufmerksam wenn Sie Werkzeug oder scharfe Instrumente verwenden.
- Seien Sie bei dem Bau vorsichtig, da einige Teile scharfe Kanten haben könnten.
- Fassen Sie bitte unmittelbar nach dem Betrieb nicht den Motor, Regler oder Akku an, da diese Teile sich sehr erwärmen können und Sie sich bei dem berühren ernsthaft verbrennen können.
- Fassen Sie nicht in drehende oder sich bewegende Teile, da sich ernsthaft dabei verletzen können.
- Schalten Sie immer zuerst den Sender ein, bevor Sie den Empfänger im Fahrzeug einschalten.
- Stellen Sie das Fahrzeug mit den Rädern nicht auf den Boden, wenn Sie die Funktionen überprüfen.



## PACKUNGSIHALT

- ECX® Micro Roost® Buggy (ECX00007T1/T2) oder ECX® Micro Ruckus® Monster-Truck (ECX00008T1/T2)
- 2-CH-Sender
- AA-Akkus (4)
- 3,7V 200mAh 1S LiPo-Akku (ECX10017)



## SPEZIFIKATIONEN

### Sender

Frequenz 2415MHz-2446MHz

Akkus AA x 4

### Truck

Netzteil 1-Zellen 200 mAh LiPo

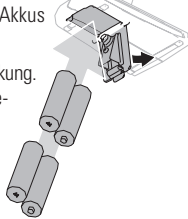
Laufzeit 10 Min.

## SENDERBETRIEB

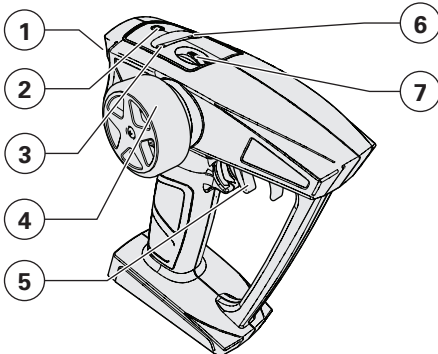
### EINSETZEN DER SENDER-AKKUS

Für diesen Sender werden 4 AA-Akkus benötigt.

1. Öffnen Sie die Batterie-Abdeckung.
2. Setzen Sie die Akkus entsprechend der Abbildung ein.
3. Setzen Sie die Batterie-Abdeckung wieder auf.



### SENDERSTEUERUNG



### VORGEHENSWEISE ZUR BINDUNG

1. Den Bindungsschalter am Sender drücken und einschalten. Die rote LED des Senders blinkt für 20 Sekunden und zeigt damit an, dass er sich im Bindungsmodus befindet.
2. Das Fahrzeug einschalten, während der Sender sich im Bindungsmodus befindet.
3. Die LED am Fahrzeug leuchtet, wenn die Bindung abgeschlossen ist.



**ACHTUNG:** Entfernen Sie NIEMALS die Sender-Akkus, während das Modell eingeschaltet ist. Es kann ansonsten zu einem Kontrollverlust über das Modell, zu einer Beschädigung oder zu unbeabsichtigten Verletzungen kommen.



**ACHTUNG:** Bei der Verwendung von wiederaufladbaren Akkus dürfen auch nur solche erneut geladen werden. Das Laden von normalen, nicht wiederaufladbaren Akkus kann ein Platzen der Akkus und damit verbundene Personen- und/oder Sachschäden verursachen.



**VORSICHT:** Es besteht Explosionsgefahr, wenn der Akku durch einen falschen Akku-Typ ersetzt wird. Verbrauchte Akkus müssen gemäß den nationalen Vorschriften entsorgt werden.

1. **EIN-/AUS-Schalter** Um den Sender EIN-/AUSZUSCHALTEN
2. **Bindungsschalter** Zum Anschließen des Senders an das Fahrzeug
3. **Anzeige**
  - **Grünes Licht:** Zeigt an, dass der Sender eingeschaltet ist
4. **Steuerrad** Für die Steuerrichtungen (links/rechts) des Modells
5. **Gasauslöser** Zur Steuerung der Geschwindigkeit und Richtung (Vorwärts/Bremsen/Rückwärts) des Modells
6. **Anzeige**
  - **Rote Ladeanzeige:** Zeigt an, dass der Sender an das Fahrzeug angeschlossen ist und der Akku lädt.
7. **ST Trimming** Zur Anpassung des Steuermittelpunkts

### SICHERHEITSHINWEISE UND WARNUNGEN ZUM LADEN



**ACHTUNG:** Alle Anweisungen und Warnhinweise müssen genau befolgt werden. Falsche Handhabung von Li-Po-Akkus kann zu Brand, Personen- und/oder Sachwertschäden führen.

**• LASSEN SIE DAS NETZGERÄT, LADEGERÄT UND AKKU NIEMALS UNBEAUFICHTIGT WÄHREND DES BETRIEBES.**

**• LADEN SIE NIEMALS AKKUS ÜBER NACHT.**

- Durch Handhabung, Aufladung oder Verwendung des mitgelieferten Li-Po-Akkus übernehmen Sie alle mit Lithiumakkus verbundenen Risiken.
- Sollte der Akku zu einem beliebigen Zeitpunkt beginnen, sich aufzublähen oder anzuschwellen, stoppen Sie die Verwendung unverzüglich. Falls dies beim Laden oder Entladen auftritt, stoppen Sie den Lade-/Entladevorgang, und entnehmen Sie den Akku. Wird ein Akku, der sich aufbläht oder anschwilt, weiter verwendet, geladen oder entladen, besteht Brandgefahr.
- Lagern Sie den Akku stets bei Zimmertemperatur an einem trockenen Ort.
- Bei Transport oder vorübergehender Lagerung des Akkus muss der Temperaturbereich zwischen 40°F und 120°F (ca. 5 – 49°C) liegen. Akku oder Modell dürfen nicht im Auto oder unter direkter Sonneneinstrahlung gelagert werden. Bei Lagerung in einem heißen Auto kann der

- Akku beschädigt werden oder sogar Feuer fangen.
- Laden Sie die Akkus immer weit entfernt von brennbaren Materialien.
- Überprüfen Sie vor dem Laden immer den Akku.
- Trennen Sie immer den Akku nach dem Laden und lassen das Ladegerät abkühlen.
- Überwachen Sie ständig die Temperatur des Akkupsacks während des Ladens.
- Verwenden Sie ausschließlich ein Ladegerät das speziell für das Laden von Li-Po Akku geeignet ist. Das Laden mit einem nicht geeignetem Ladegerät kann Feuer und / oder Sachbeschädigung zur Folge haben.
- Entladen Sie niemals ein Li-Po Akku unter 3V pro Zelle unter Last.
- Verdecken Sie niemals Warnhinweise mit Klettband.
- Laden Sie niemals Akkus ausserhalb ihrer sicheren Grenzen.
- Überprüfen Sie immer den Akku vor dem Laden und laden Sie niemals defekte oder beschädigte Akkus.
- Versuchen Sie nicht das Ladegerät zu demontieren oder zu verändern.
- Den Minderjährigen niemals erlauben, Akkus zu laden.
- Laden Sie niemals Akkus an extrem kalten oder heißen Plätzen (empfohlener Temperaturbereich 5 – 49°) oder im direkten Sonnenlicht.

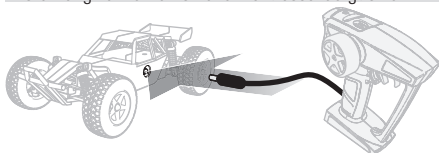
### FAHRZEUGVORBEREITUNG

#### AUFLADEN DES AKKUS



**ACHTUNG:** Überschreiten Sie niemals die empfohlenen Ladestromwerte. Der mitgelieferte Sender verfügt über ein integriertes Ladegerät für die sichere Ladung des 1S 3,7 V 200mAh LiPo-Akkus (ECX100017).

**HINWEIS:** Prüfen Sie den Akku, um zu gewährleisten, dass dieser nicht beschädigt, also beispielsweise aufgequollen, verbogen, gebrochen oder durchstochen, ist. Laden Sie nur Akkus, die bei sich bei Berührung kühl anfühlen und nicht beschädigt sind.



Stecken Sie das Ladekabel vom Sender in die Ladebuchse an der Seite des Fahrzeugs ein. Die rote LED auf der Oberseite des Senders zeigt den Ladezustand an.

**LADEVORGANG** (durchgängig rote LED)

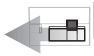
**MAX. GELADEN** (LED AUS)

Trennen Sie den Akku stets unverzüglich vom Ladegerät, wenn der Ladevorgang abgeschlossen wurde.



**ACHTUNG:** Ziehen Sie das Ladekabel sofort ab, sobald der Ladevorgang abgeschlossen ist. Lassen Sie niemals einen Akku am Ladegerät angeschlossen.

#### ERSTE SCHRITTE

1. Schalten Sie das Fahrzeug mit dem Schalter an der Unterseite der Karosserie ein. 
2. Sender einschalten. Die grüne LED am Sender leuchtet, wenn der Sender an das Fahrzeug angeschlossen ist.
3. Führen Sie einen Test der Steuerung des Fahrzeugs mithilfe des Senders mit den Rädern des Fahrzeugs auf dem Boden durch.
4. Fahren Sie langsam an, fährt das Fahrzeug nicht gerade, passen Sie die Lenkungstrimmungscheibe auf dem Sender an.



**VORSICHT:** Der Micro Roost und der Micro Ruckus sind für trockene Betriebsbedingungen vorgesehen. Fahren Sie den Micro Roost oder Micro Ruckus nicht bei Regen oder auf nassen Oberflächen.

## NACH DEM FAHREN

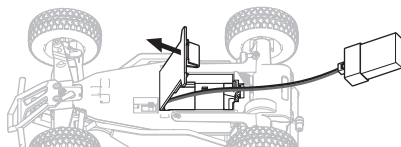
1. Das Fahrzeug ausschalten.
2. Den Sender ausschalten.
3. Den Akku aufladen.

## AUSTAUSCH DES AKKUS IM FAHRZEUG

1. Öffnen Sie die Batterie-Abdeckung.
2. Den Akku aus dem Fahrzeug entfernen.
3. Den neuen Akku an das Fahrzeug anschließen.
4. Den Akku in das Akkufach einlegen.
5. Setzen Sie die Batterie-Abdeckung wieder auf.

**⚠ VORSICHT:** Das Anschließen des Akkus an das Fahrzeug mit umgekehrter Polarität wird Schäden am Fahrzeug, dem Akku oder beiden verursachen. Schäden durch das falsche Anschließen des Akkus werden nicht durch die Garantie gedeckt.

Ersatzteile	
Teil	Beschreibung
ECX10017	3,7 V 200 mAh 1S LiPo-Akku: 1/28 ECX Roost/Ruckus
ECX201018	Karosserie mit Motor & Elektronik: 1/28 Roost
ECX201019	Karosserie mit Motor & Elektronik: 1/28 Ruckus



## HILFSTELLUNG ZUR PROBLEMLÖSUNG

Problem	Mögliche Ursache	Lösung
Fahrzeug fährt nicht geradeaus	Lenktrimmung auf der Fernsteuerung nicht zentriert	Lenkungstrimmung so anpassen, dass das Fahrzeug gerade fährt

## GARANTIE UND SERVICE INFORMATIONEN

### Warnung

Ein ferngesteuertes Modell ist kein Spielzeug. Es kann, wenn es falsch eingesetzt wird, zu erheblichen Verletzungen bei Lebewesen und Beschädigungen an Sachgütern führen. Betreiben Sie Ihr RC-Modell nur auf freien Plätzen und beachten Sie alle Hinweise der Bedienungsanleitung des Modells wie auch der Fernsteuerung.

### Garantiezeitraum

Exklusive Garantie Horizon Hobby LLC (Horizon) garantiert, dass dasgekaufte Produkt frei von Material- und Montagefehlern ist. Der Garantiezeitraum entspricht den gesetzlichen Bestimmung des Landes, in dem das Produkt erworben wurde. In Deutschland beträgt der Garantiezeitraum 6 Monate und der Gewährleistungszeitraum 18 Monate nach dem Garantiezeitraum.

### Einschränkungen der Garantie

(a) Die Garantie wird nur dem Erstkäufer (Käufer) gewährt und kann nicht übertragen werden. Der Anspruch des Käufers besteht in der Reparatur oder dem Tausch im Rahmen dieser Garantie. Die Garantie erstreckt sich ausschließlich auf Produkte, die bei einem autorisierten Horizon Händler erworben wurden. Verkäufe an dritte werden von dieser Garantie nicht gedeckt. Garantieansprüche werden nur angenommen, wenn ein gültiger Kaufnachweis erbracht wird. Horizon behält sich das Recht vor, diese Garantiebestimmungen ohne Ankündigung zu ändern oder modifizieren und widerruft dann bestehende

Garantiebestimmungen.

(b) Horizon übernimmt keine Garantie für die Verkaufbarkeit des Produktes, die Fähigkeiten und die Fitness des Verbrauchers für einen bestimmten Einsatzzweck des Produktes. Der Käufer allein ist dafür verantwortlich, zu prüfen, ob das Produkt seinen Fähigkeiten und dem vorgesehenen Einsatzzweck entspricht.

(c) Ansprüche des Käufers – Es liegt ausschließlich im Ermessen von Horizon, ob das Produkt, bei dem ein Garantiefall festgestellt wurde, repariert oder ausgetauscht wird. Dies sind die exklusiven Ansprüche des Käufers, wenn ein Defekt festgestellt wird.

Horizon behält sich vor, alle eingesetzten Komponenten zu prüfen, die in den Garantiefall einbezogen werden können. Die Entscheidung zur Reparatur oder zum Austausch liegt nur bei Horizon. Die Garantie schließt kosmetische Defekte oder Defekte, hervorgerufen durch höhere Gewalt, falsche Behandlung des Produktes, falscher Einsatz des Produktes, kommerziellen Einsatz oder Modifikationen irgendwelcher Art aus.

Die Garantie schließt Schäden, die durch falschen Einbau, falsche Handhabung, Unfälle, Betrieb, Service oder Reparaturversuche, die nicht von Horizon ausgeführt wurden aus.

Ausgeschlossen sind auch Fälle die bedingt durch (vii) eine Nutzung sind, die gegen geltendes Recht, Gesetze oder Regularien verstoßen haben. Rücksendungen durch den Käufer direkt an Horizon oder eine seiner Landesvertretung bedürfen der Schriftform.

## Schadensbeschränkung

Horizon ist nicht für direkte oder indirekte Folgeschäden, Einkommensausfälle oder kommerzielle Verluste, die in irgendeinem Zusammenhang mit dem Produkt stehen verantwortlich, unabhängig ab ein Anspruch im Zusammenhang mit einem Vertrag, der Garantie oder der Gewährleistung erhoben werden. Horizon wird darüber hinaus keine Ansprüche aus einem Garantiefall akzeptieren, die über den individuellen Wert des Produktes hinaus gehen. Horizon hat keinen Einfluss auf den Einbau, die Verwendung oder die Wartung des Produktes oder etwaiger Produktkombinationen, die vom Käufer gewählt werden. Horizon übernimmt keine Garantie und akzeptiert keine Ansprüche für in der Folge auftretende Verletzungen oder Beschädigungen. Mit der Verwendung und dem Einbau des Produktes akzeptiert der Käufer alle aufgeführten Garantiebestimmungen ohne Einschränkungen und Vorbehalte.

Wenn Sie als Käufer nicht bereit sind, diese Bestimmungen im Zusammenhang mit der Benutzung des Produktes zu akzeptieren, werden Sie gebeten, das Produkt in unbenutztem Zustand in der Originalverpackung vollständig bei dem Verkäufer zurückzugeben.

## Sicherheitshinweise

Dieses ist ein hochwertiges Hobby Produkt und kein Spielzeug. Es muss mit Vorsicht und Umsicht eingesetzt werden und erfordert einige mechanische wie auch mentale Fähigkeiten. Ein Versagen, das Produkt sicher und umsichtig zu betreiben kann zu Verletzungen von Lebewesen und Sachbeschädigungen erheblichen Ausmaßes führen. Dieses Produkt ist nicht für den Gebrauch durch Kinder ohne die Aufsicht eines Erziehungsberechtigten vorgesehen. Die Anleitung enthält Sicherheitshinweise und Vorschriften sowie Hinweise für die Wartung und den Betrieb des Produktes. Es ist unabdingbar, diese Hinweise vor der ersten Inbetriebnahme zu lesen und zu verstehen. Nur so kann der falsche Umgang verhindert und Unfälle mit Verletzungen und Beschädigungen vermieden werden.

## Fragen, Hilfe und Reparaturen

Ihr lokaler Fachhändler und die Verkaufsstelle können eine Garantiebeurteilung ohne Rücksprache mit Horizon nicht durchführen. Dies gilt auch für Garantireparaturen. Deshalb kontaktieren Sie in einem solchen Fall den Händler, der sich mit Horizon kurz schließen wird, um eine sachgerechte Entscheidung zu fällen, die Ihnen schnellst möglich hilft.

## Wartung und Reparatur

Muss Ihr Produkt gewartet oder repariert werden, wenden Sie sich entweder an Ihren Fachhändler oder direkt an Horizon.

Rücksendungen / Reparaturen werden nur mit einer von Horizon vergebenen RMA Nummer bearbeitet. Diese Nummer erhalten Sie oder ihr Fachhändler vom technischen Service. Mehr Informationen dazu erhalten Sie im Serviceportal unter [www.Horizonhobby.de](http://www.Horizonhobby.de) oder telefonisch bei dem technischen Service von Horizon.

Packen Sie das Produkt sorgfältig ein. Beachten Sie, dass der Originalkarton in der Regel nicht ausreicht, um beim Versand nicht beschädigt zu werden. Verwenden Sie einen Paketdienstleister mit einer Tracking Funktion und Versicherung, da Horizon bis zur Annahme keine Verantwortung für den Versand des Produktes übernimmt. Bitte legen Sie dem Produkt einen Kaufbeleg bei, sowie eine ausführliche Fehlerbeschreibung und eine Liste aller eingesendeten Einzelkomponenten. Weiterhin benötigen wir die vollständige Adresse, eine Telefonnummer für Rückfragen, sowie eine Email Adresse.

## Garantie und Reparaturen

Garantieanfragen werden nur bearbeitet, wenn ein Originalkaufbeleg von einem autorisierten Fachhändler beiliegt, aus dem der Käufer und das Kaufdatum hervorgeht. Sollte sich ein Garantiefall bestätigen wird das Produkt repariert oder ersetzt. Diese Entscheidung obliegt einzig Horizon Hobby.

## Kostenpflichtige Reparaturen

Liegt eine kostenpflichtige Reparatur vor, erstellen wir einen Kostenvorschlag, den wir Ihrem Händler übermitteln. Die Reparatur wird erst vorgenommen, wenn wir die Freigabe des Händlers erhalten. Der Preis für die Reparatur ist bei Ihrem Händler zu entrichten. Bei kostenpflichtigen Reparaturen werden mindestens 30 Minuten Werkstattzeit und die Rückversandkosten in Rechnung gestellt. Sollten wir nach 90 Tagen keine Einverständniserklärung zur Reparatur vorliegen haben, behalten wir uns vor, das Produkt zu vernichten oder anderweitig zu verwerten.

**ACHTUNG:** Kostenpflichtige Reparaturen nehmen wir nur für Elektronik und Motoren vor. Mechanische Reparaturen, besonders bei Hubschraubern und RC-Cars sind extrem aufwendig und müssen deshalb vom Käufer selbst – vorgenommen werden.

10/15

Land des Kauf	Horizon Hobby	Telefon/E-mail Adresse	Adresse
EU	Horizon Technischer Service Sales: Horizon Hobby GmbH	service@horizonhobby.eu +49 (0) 4121 2655 100	Hanskampring 9 D 22885 Barsbüttel, Germany

### EU Konformitätserklärung:



Horizon LLC erklärt hiermit, dass dieses Produkt konform zu den essentiellen Anforderungen der RED und EMC Direktive.

Eine Kopie der Konformitätserklärung ist online unter folgender Adresse verfügbar :  
<http://www.horizonhobby.com/content/support-render-compliance>.

### Anweisungen zur Entsorgung von Elektro- und Elektronik-Altgeräten für Benutzer in der Europäischen Union



Dieses Produkt darf nicht zusammen mit anderem Abfall entsorgt werden. Stattdessen ist der Benutzer dafür verantwortlich, unbrauchbare Geräte durch Abgabe bei einer speziellen Sammelstelle für das Recycling von unbrauchbaren elektrischen und

elektronischen Geräten zu entsorgen. Die separate Sammlung und das Recycling von unbrauchbaren Geräten zum Zeitpunkt der Entsorgung hilft, natürliche Ressourcen zu bewahren und sicherzustellen, dass Geräte auf eine Weise wiederverwertet werden, bei der die menschliche Gesundheit und die Umwelt geschützt werden. Weitere Informationen dazu, wo Sie unbrauchbare Geräte zum Recycling abgeben können, erhalten Sie bei lokalen Ämtern, bei der Müllabfuhr für Haushaltsmüll sowie dort, wo Sie das Produkt gekauft haben.

## REMARQUE

Toutes les instructions, garanties et autres documents de garantie sont sujets à modification à la seule discrétion de Horizon Hobby, LLC. Veuillez, pour une documentation produit bien à jour, visiter le site internet <http://www.horizonhobby.com>.


## SIGNIFICATION DE CERTAINS MOTS

Les termes suivants servent, tout au long de la littérature produits, à désigner différents niveaux de blessures potentielles lors de l'utilisation de ce produit:

**AVERTISSEMENT** : procédures qui, si elles ne sont pas suivies correctement, peuvent entraîner des dégâts matériels, des dommages collatéraux et des blessures graves OU engendrer une probabilité élevée de blessure superficielle.

**ATTENTION** : procédures qui, si elles ne sont pas suivies correctement, peuvent entraîner des dégâts matériels ET des blessures graves.

**REMARQUE** : procédures qui, si elles ne sont pas suivies correctement, peuvent entraîner des dégâts matériels ET éventuellement un faible risque de blessures.

 **AVERTISSEMENT** : Lisez la TOTALITE du manuel d'utilisation afin de vous familiariser avec les caractéristiques du produit avant de le faire fonctionner. Une utilisation incorrecte du produit peut avoir comme résultat un endommagement du produit lui-même, celui de propriétés personnelles voire entraîner des blessures graves. Ceci est un produit de loisirs perfectionné et NON PAS un jouet. Il doit être manipulé avec prudence et bon sens et requiert quelques aptitudes de base à la mécanique. L'incapacité à manipuler ce produit de manière sûre et responsable peut provoquer des blessures ou des dommages au produit ou à d'autres biens. Ce produit n'est pas destiné à être utilisé par des enfants sans la surveillance directe d'un adulte. N'essayez pas de modifier ou d'utiliser ce produit avec des composants incompatibles hors des instructions fournies par Horizon Hobby, LLC. Ce manuel comporte des instructions de sécurité, d'utilisation et d'entretien. Il est capital de lire et de respecter toutes les instructions et avertissements du manuel avant l'assemblage, le réglage ou l'utilisation afin de le manipuler correctement et d'éviter les dommages ou les blessures graves.

## 14 ans et plus. Ceci n'est pas un jouet.

## PRÉCAUTIONS ET AVERTISSEMENTS LIÉS À LA SÉCURITÉ

En tant qu'utilisateur de ce produit, il est de votre seule responsabilité de le faire fonctionner d'une manière qui ne mette en danger ni votre personne, ni de tiers et qui ne provoque pas de dégâts au produit lui-même ou à la propriété d'autrui.

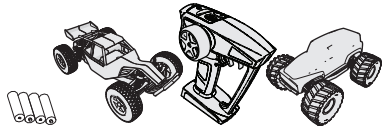
Ce modèle est contrôlé par un signal radio, qui peut être soumis à des interférences provenant de nombreuses sources hors de votre contrôle. Ces interférences peuvent provoquer une perte momentanée de contrôle. Il est donc conseillé de garder une bonne distance de sécurité tout autour de votre modèle, ce qui aidera à éviter les collisions ou les blessures.

- Ne faites jamais fonctionner votre modèle lorsque les batteries de l'émetteur sont faibles.
- Faites toujours fonctionner votre modèle dans une zone dégagée, à l'écart des voitures, de la circulation ou de personnes.
- Ne faites jamais et pour quelque raison que ce soit fonctionner votre modèle dans la rue ou dans des zones habitées.
- Respectez scrupuleusement les instructions et avertissement à cet effet ainsi que pour tous les équipements optionnels/complémentaires (chargeurs, packs de batteries rechargeables, etc.) que vous utilisez.

- Tenez tous les produits chimiques, les petites pièces et les composants électroniques hors de portée des enfants.
- Ne léchez ni ne mettez jamais en bouche quelque partie de votre modèle que ce soit, afin d'éviter tout risque de blessures graves, voire danger de mort.
- Faites bien attention lors de l'utilisation d'outils et lors de l'utilisation d'instruments coupants.
- Faites bien attention lors du montage, certaines pièces peuvent avoir des bords coupants.
- Après avoir utilisé votre modèle, NE touchez PAS à certaines de ces pièces telles que le moteur, le contrôleur électronique de vitesse et la batterie, car elles peuvent encore se trouver à des températures élevées. Vous risquez de vous brûler gravement en cas de contact avec elles.
- Ne mettez ni vos doigts ni aucun autre objet entre des pièces en rotation ou en mouvement, vous risqueriez des dommages ou des blessures graves.
- Allumez toujours votre émetteur avant d'allumer le récepteur du véhicule. Éteignez toujours le récepteur avant d'éteindre votre émetteur.
- Veillez à ce que les roues du modèle ne soient pas en contact avec le sol lorsque vous contrôlez le fonctionnement de votre équipement radio.

## CONTENU DE LA BOÎTE

- ECX® Micro Roost® Buggy (ECX00007T1/T2) ou ECX® Micro Ruckus® Monster Truck (ECX00008T1/T2)
- Émetteur à 2 canaux
- (4) piles AA
- Batterie Li-Po 3,7 V 200 mAh 1S (ECX10017)



## SPÉCIFICATIONS

### Émetteur

Fréquence 2415MHz-2446MHz

4 x piles AA

### Truck

Alimentation électrique Une cellule 200 mAh Li-Po

Temps de fonctionnement

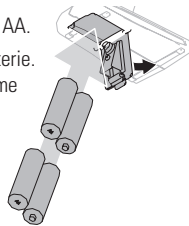
10 minutes

## FONCTIONNEMENT DE L'ÉMETTEUR

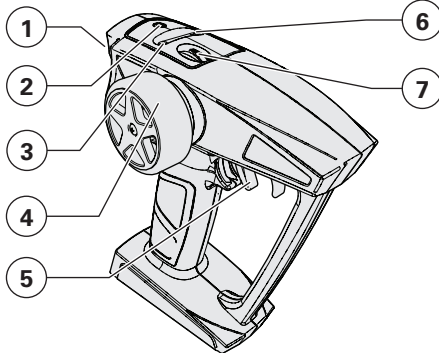
### INSTALLATION DES BATTERIES DE L'ÉMETTEUR

Cet émetteur nécessite 4 piles AA.

1. Ouvrez le couvercle de batterie.
2. Installez les batteries comme indiqué.
3. Fermez le couvercle de batterie.



### COMMANDES DE L'ÉMETTEUR



**ATTENTION :** N'enlevez JAMAIS les batteries de l'émetteur lorsque le modèle est allumé. Cela peut provoquer la perte de la commande du modèle et des dommages corporels ou matériels.



**ATTENTION :** Si vous utilisez des batteries rechargeables, ne chargez que des batteries rechargeables. Si vous chargez des batteries non rechargeables, celles-ci pourraient brûler et provoquer des dommages corporels et/ou matériels.



**ATTENTION :** Risque d'explosion si la batterie est remplacée par une mauvaise batterie. Mettez les batteries usagées au rebut conformément aux réglementations nationales.

1. **INTERRUPTEUR On/Off (Marche/Arrêt)** Allume/éteint (ON/OFF) l'émetteur
2. **Bouton Bind (affectation)** Connecte l'émetteur au véhicule
3. **Témoin**
  - **Lumière verte**—Indique que l'émetteur est allumé.
4. **Volant** Contrôle la direction (gauche/droite) du modèle
5. **Commande d'accélérateur** Contrôle la vitesse et la direction (avant/frein/arrière) du modèle
6. **Témoin**
  - **Lumière rouge de charge**—Indique que l'émetteur est connecté au véhicule et charge la batterie.
7. **ST Trim (compensateur ST)** Ajuste le point central de direction

### PROCÉDURE D'AFFECTION

1. Appuyez sur le bouton Bind (Affectation) de l'émetteur et allumez-le. La DEL rouge de l'émetteur clignotera pendant 20 secondes, pour indiquer qu'il est en mode Bind (Affectation).
2. Allumez le véhicule avec l'émetteur en mode Bind (Affectation).
3. La DEL du véhicule restera allumée lorsque l'affectation est terminée.

## AVERTISSEMENTS ET PRÉCAUTIONS RELATIFS À LA CHARGE

**⚠ ATTENTION** : Les instructions et avertissements doivent être scrupuleusement suivis. Une manipulation non appropriée des batteries Li-Po peut provoquer un incendie, des blessures corporelles et/ou des dégâts matériels.

- **NE LAISSEZ JAMAIS LA BATTERIE ET LE CHARGEUR SANS SURVEILLANCE DURANT L'UTILISATION.**
- **NE CHARGEZ JAMAIS LES BATTERIES DURANT LA NUIT.**
- En manipulant, en chargeant ou en utilisant la batterie Li-Po incluse, vous assumez tous les risques associés aux batteries lithium.
- Si la batterie commence à gonfler ou à se dilater, cessez immédiatement de l'utiliser. Si vous étiez en train de la charger ou de la décharger, interrompez la procédure et déconnectez-la. Continuer à utiliser, charger ou décharger une batterie qui gonfle ou se dilate peut provoquer un incendie.
- Pour obtenir les meilleurs résultats, entreposez toujours la batterie à température ambiante, dans un endroit sec.
- Lorsque vous transportez la batterie ou que vous la stockez temporairement, la température doit toujours être comprise entre 5 et 49 °C.
- Ne stockez en aucun cas la batterie dans une voiture ou à un endroit directement exposé à la lumière du soleil. Laisser dans une voiture chaude, la batterie peut se détériorer ou même prendre feu.

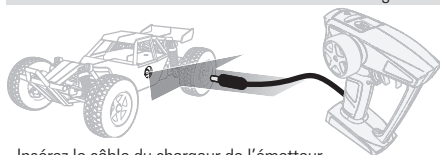
- Chargez toujours les batteries à distance de tout matériau inflammable.
- Faites toujours l'inspection de la batterie avant la charge
- Déconnectez toujours la batterie après la charge, et laissez le chargeur refroidir entre les charges.
- Surveillez toujours en continu la température du pack de batteries au cours de la charge.
- UTILISEZ EXCLUSIVEMENT UN CHARGEUR CONÇU SPÉCIFIQUEMENT POUR CHARGER DES BATTERIES LI-PO. Le fait de charger la batterie avec un chargeur non compatible peut être à l'origine d'un incendie provoquant des blessures corporelles et/ou des dégâts matériels.
- Ne déchargez jamais les cellules Li-Po en dessous de 3 V.
- Ne couvrez jamais les étiquettes d'avertissement avec des bandes auto-agrippantes.
- Ne chargez jamais les batteries sans respecter les niveaux recommandés.
- Ne chargez jamais des batteries hors d'usage ou endommagées.
- N'essayez jamais de démonter ou de modifier le chargeur.
- Ne laissez jamais des mineurs charger des packs de batteries.
- Ne chargez jamais les batteries dans des endroits extrêmement chauds ou froids (la plage de températures recommandées se situe entre 5 et 49 °C) et ne les exposez jamais à la lumière directe du soleil.

## PRÉPARATION DU VÉHICULE

### CHARGE DE LA BATTERIE

**⚠ ATTENTION** : Ne dépassez jamais le taux de charge recommandé. L'émetteur inclus a un chargeur intégré conçu pour charger en toute sécurité la batterie Li-Po 1S 3,7 V 200 mAh (ECX100017).

**REMARQUE** : Inspectez la batterie pour vous assurer qu'elle n'est pas endommagée, c'est-à-dire non gonflée, courbée, brisée ou perforée. Ne chargez que les batteries froides au toucher et non endommagées.



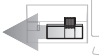
Insérez le câble du chargeur de l'émetteur dans le port de charge sur le côté du véhicule. La DEL rouge en haut de l'émetteur indique l'état de charge.

**EN CHARGE** (DEL en rouge fixe)  
**CHARGE MAXIMALE** (DEL ÉTEINTE)

Déconnectez toujours la batterie du chargeur immédiatement après la fin de la charge.

**⚠ ATTENTION** : Une fois que la charge est complète, déconnectez immédiatement le cordon de recharge. Ne laissez jamais une batterie connectée au chargeur.

### AVANT DE COMMENCER

1. Allumez le véhicule avec l'interrupteur en bas du châssis. 
2. Mettez l'émetteur en marche. La DEL verte sur l'émetteur restera allumée lorsque l'émetteur se connecte au véhicule.
3. Effectuez un test du contrôle du véhicule par l'émetteur sans laisser les roues du véhicule toucher le sol.
4. Commencez à conduire lentement, si le véhicule ne roule pas droit, ajustez le bouton de direction du trim (compensateur) sur l'émetteur.

**⚠ ATTENTION** : Micro Roost et Micro Ruckus sont conçus pour fonctionner au sec. Ne conduisez pas le Micro Roost ou Micro Ruckus dans la pluie ou sur des surfaces mouillées.



## APRÈS LA CONDUITE

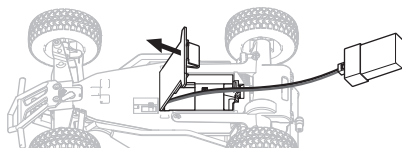
1. Éteignez le véhicule.
2. Éteignez l'émetteur.
3. Rechargez la batterie.

## REMPACEMENT DE LA BATTERIE DANS LE VÉHICULE

1. Ouvrez le couvercle de batterie.
2. Retirez la batterie et débranchez-la du véhicule.
3. Branchez la nouvelle batterie au véhicule
4. Insérez les batteries dans le support de batterie.
5. Fermez le couvercle de batterie.

**⚠ ATTENTION** : Un raccordement de la batterie au véhicule avec une polarité inversée endommagera le véhicule, la batterie ou ces deux éléments. Les dégâts résultant d'un mauvais raccordement de la batterie ne sont pas pris en charge dans le cadre de la garantie.

Pièces de rechange	
Référence	Description
ECX10017	Batterie Li-Po 3,7 V 200 mAh 1S : 1/28 ECX Roost/Ruckus
ECX201018	Châssis avec moteur et composants électroniques : 1/28 Roost
ECX201019	Châssis avec moteur et composants électroniques : 1/28 Ruckus



## GUIDE DE DÉPANNAGE

Problème	Cause possible	Solution
La voiture ne roule pas en ligne droite	Le compensateur de direction sur l'émetteur n'est pas centré	Ajustez le compensateur de direction sur l'émetteur afin que le véhicule roule en ligne droite

## GARANTIE ET RÉPARATIONS

### Durée de la garantie

Garantie exclusive – Horizon Hobby, LLC (Horizon) garantit que le Produit acheté (le « Produit ») sera exempt de défauts matériels et de fabrication à sa date d'achat par l'Acheteur. La durée de garantie correspond aux dispositions légales du pays dans lequel le produit a été acquis. La durée de garantie est de 6 mois et la durée d'obligation de garantie de 18 mois à l'expiration de la période de garantie.

### Limitations de la garantie

(a) La garantie est donnée à l'acheteur initial (« Acheteur ») et n'est pas transférable. Le recours de l'acheteur consiste en la réparation ou en l'échange dans le cadre de cette garantie. La garantie s'applique uniquement aux produits achetés chez un revendeur Horizon agréé. Les ventes faites à des tiers ne sont pas couvertes par cette garantie. Les revendications en garantie seront acceptées sur fourniture d'une preuve d'achat valide uniquement. Horizon se réserve le droit de modifier les dispositions de la présente garantie sans avis préalable et révoque alors les dispositions de garantie existantes.

(b) Horizon n'endosse aucune garantie quant à la vendabilité du produit ou aux capacités et à la forme physique de l'utilisateur pour une utilisation donnée du produit. Il est de la seule responsabilité de l'acheteur de vérifier si le produit correspond à ses capacités et à l'utilisation prévue.

(c) Recours de l'acheteur – Il est de la seule discrétion

d'Horizon de déterminer si un produit présentant un cas de garantie sera réparé ou échangé. Ce sont là les recours exclusifs de l'acheteur lorsqu'un défaut est constaté.

Horizon se réserve la possibilité de vérifier tous les éléments utilisés et susceptibles d'être intégrés dans le cas de garantie. La décision de réparer ou de remplacer le produit est du seul ressort d'Horizon. La garantie exclut les défauts esthétiques ou les défauts provoqués par des cas de force majeure, une manipulation incorrecte du produit, une utilisation incorrecte ou commerciale de ce dernier ou encore des modifications de quelque nature qu'elles soient.

La garantie ne couvre pas les dégâts résultant d'un montage ou d'une manipulation erronés, d'accidents ou encore du fonctionnement ainsi que des tentatives d'entretien ou de réparation non effectuées par Horizon. Les retours effectués par le fait de l'acheteur directement à Horizon ou à l'une de ses représentations nationales requièrent une confirmation écrite.

### Limitation des dommages

Horizon ne saurait être tenu pour responsable de dommages conséquents directs ou indirects, de pertes de revenus ou de pertes commerciales, liés de quelque manière que ce soit au produit et ce, indépendamment du fait qu'un recours puisse être formulé en relation avec un contrat, la garantie ou l'obligation de garantie. Par ailleurs, Horizon n'acceptera pas de recours issus

d'un cas de garantie lorsque ces recours dépassent la valeur unitaire du produit. Horizon n'exerce aucune influence sur le montage, l'utilisation ou la maintenance du produit ou sur d'éventuelles combinaisons de produits choisis par l'acheteur. Horizon ne prend en compte aucune garantie et n'accepte aucun recours pour les blessures ou les dommages pouvant en résulter. Horizon Hobby ne saurait être tenu responsable d'une utilisation ne respectant pas les lois, les règles ou réglementations en vigueur. En utilisant et en montant le produit, l'acheteur accepte sans restriction ni réserve toutes les dispositions relatives à la garantie figurant dans le présent document. Si vous n'êtes pas prêt, en tant qu'acheteur, à accepter ces dispositions en relation avec l'utilisation du produit, nous vous demandons de restituer au vendeur le produit complet, non utilisé et dans son emballage d'origine.

### Indications relatives à la sécurité

Ceci est un produit de loisirs perfectionné et non un jouet. Il doit être utilisé avec précaution et bon sens et nécessite quelques aptitudes mécaniques ainsi que mentales. L'incapacité à utiliser le produit de manière sûre et raisonnable peut provoquer des blessures et des dégâts matériels conséquents. Ce produit n'est pas destiné à être utilisé par des enfants sans la surveillance par un tuteur. La notice d'utilisation contient des indications relatives à la sécurité ainsi que des indications concernant la maintenance et le fonctionnement du produit. Il est absolument indispensable de lire et de comprendre ces indications avant la première mise en service. C'est uniquement ainsi qu'il sera possible d'éviter une manipulation erronée et des accidents entraînant des blessures et des dégâts. Horizon Hobby ne saurait être tenu responsable d'une utilisation ne respectant pas les lois, les règles ou réglementations en vigueur.

### Questions, assistance et réparations

Votre revendeur spécialisé local et le point de vente ne peuvent effectuer une estimation d'éligibilité à l'application de la garantie sans avoir consulté Horizon. Cela vaut également pour les réparations sous garantie. Vous voudrez bien, dans un tel cas, contacter le revendeur qui conviendra avec Horizon d'une décision appropriée, destinée à vous aider le plus rapidement possible.

### Maintenance et réparation

Si votre produit doit faire l'objet d'une maintenance ou d'une réparation, adressez-vous soit à votre revendeur spécialisé, soit directement à Horizon. Emballez le produit soigneusement. Veuillez noter que le carton d'emballage d'origine ne suffit pas, en règle générale, à protéger le produit des dégâts pouvant survenir pendant le transport. Faites appel à un service de messagerie proposant une fonction de suivi et une assurance, puisque Horizon ne prend aucune responsabilité pour l'expédition du produit jusqu'à sa réception acceptée. Veuillez joindre une preuve d'achat, une description détaillée des défauts ainsi qu'une liste de tous les éléments distincts envoyés. Nous avons de plus besoin d'une adresse complète, d'un numéro de téléphone (pour demander des renseignements) et d'une adresse de courriel.

### Garantie et réparations

Les demandes en garantie seront uniquement traitées en présence d'une preuve d'achat originale émanant d'un revendeur spécialisé agréé, sur laquelle figurent le nom de l'acheteur ainsi que la date d'achat. Si le cas de garantie est confirmé, le produit sera réparé. Cette décision relève uniquement de Horizon Hobby.

### Réparations payantes

En cas de réparation payante, nous établissons un devis que nous transmettons à votre revendeur. La réparation sera seulement effectuée après que nous ayons reçu la confirmation du revendeur. Le prix de la réparation devra être acquitté au revendeur. Pour les réparations payantes, nous facturons au minimum 30 minutes de travail en atelier ainsi que les frais de réexpédition. En l'absence d'un accord pour la réparation dans un délai de 90 jours, nous nous réservons la possibilité de détruire le produit ou de l'utiliser autrement.

**ATTENTION:** Nous n'effectuons de réparations payantes que pour les composants électroniques et les moteurs. Les réparations touchant à la mécanique, en particulier celles des hélicoptères et des voitures radiocommandées, sont extrêmement coûteuses et doivent par conséquent être effectuées par l'acheteur lui-même.

10/15

Pays d'achat	Horizon Hobby	Numéro de téléphone/ Courriel	Adresse
EU	Horizon Technischer Service Sales: Horizon Hobby GmbH	service@horizonhobby.eu +49 (0) 4121 2655 100	Hanskampring 9 D 22885 Barsbüttel, Germany

### IC: 8786A-HT29

Cet appareil est conforme aux exigences de la norme RSS d'Industrie Canada applicables aux appareils radio exempts de licence. L'exploitation est autorisée aux deux conditions suivantes:

(1) l'appareil ne doit pas produire d'interférences nuisibles, et (2) cet appareil doit accepter toute interférence reçue, y compris des interférences qui peuvent provoquer un fonctionnement non désiré.

## INFORMATIONS DE CONFORMITÉ POUR L'UNION EUROPÉENNE

### Déclaration de conformité de l'Union européenne :



Horizon Hobby, LLC déclare par la présente que ce produit est en conformité avec les exigences essentielles et les autres dispositions des directives RED et

CEM.

Une copie de la déclaration de conformité Européenne est disponible à : <http://www.horizonhobby.com/content/support-render-compliance>.

### Élimination dans l'Union européenne



Ce produit ne doit pas être éliminé avec les ordures ménagères. Il est de la responsabilité de l'utilisateur de remettre le produit à un point de collecte officiel des déchets d'équipements électriques. Cette procédure permet de

garantir le respect de l'environnement et l'absence de sollicitation excessive des ressources naturelles. Elle protège de plus le bien-être de la communauté humaine. Pour plus d'informations quant aux lieux d'éliminations des déchets d'équipements électriques, vous pouvez contacter votre mairie ou le service local de traitement des ordures ménagères.

## AVVISO

Tutte le istruzioni, le garanzie e gli altri documenti pertinenti sono soggetti a cambiamenti a totale discrezione di Horizon Hobby, LLC. Per una documentazione aggiornata sul prodotto, visitare il sito [horizonhobby.com](http://horizonhobby.com) e fare clic sulla sezione Support del prodotto.


### SIGNIFICATO DEI TERMINI USATI

Nella documentazione relativa al prodotto vengono utilizzati i seguenti termini per indicare i vari livelli di pericolo potenziale durante l'uso del prodotto:

**AVVERTENZA:** indica procedure che, se non debitamente seguite, determinano il rischio di danni alle cose, danni collaterali e gravi lesioni alle persone O il rischio elevato di lesioni superficiali alle persone.

**ATTENZIONE:** indica procedure che, se non debitamente seguite, determinano il rischio di danni alle cose E di gravi lesioni alle persone.

**AVVISO:** indica procedure che, se non debitamente seguite, possono determinare il rischio di danni alle cose E il rischio minimo o nullo di lesioni alle persone.

 **AVVERTENZA:** leggere TUTTO il manuale di istruzioni e familiarizzare con le caratteristiche del prodotto prima di farlo funzionare. Un uso improprio del prodotto può causare danni al prodotto stesso e alle altre cose e gravi lesioni alle persone.

Questo è un prodotto sofisticato per appassionati di modellismo. Deve essere azionato in maniera attenta e responsabile e richiede alcune conoscenze basilari di meccanica. L'uso improprio o irresponsabile di questo prodotto può causare lesioni alle persone e danni al prodotto stesso o alle altre cose. Questo prodotto non deve essere utilizzato dai bambini senza la diretta supervisione di un adulto. Non usare componenti non compatibili o alterare il prodotto in nessuna maniera al di fuori delle istruzioni fornite da Horizon Hobby, LLC. Questo manuale contiene le istruzioni per la sicurezza, l'uso e la manutenzione del prodotto. È fondamentale leggere e seguire tutte le istruzioni e le avvertenze del manuale prima di montare, impostare o utilizzare il prodotto, al fine di utilizzarlo correttamente e di evitare di causare danni alle cose o gravi lesioni alle persone.

**Almeno 14 anni. Non è un giocattolo.**

### PRECAUZIONI PER LA SICUREZZA E AVVERTIMENTI

In quanto utilizzatore di questo prodotto, voi siete gli unici responsabili per una condotta che non costituisca pericolo per voi e gli altri, e che possa causare danni al modello o ad altre proprietà.

Questo modello è controllato da un segnale radio potenzialmente soggetto a interferenze da molte fonti che non potete controllare. Queste interferenze possono generare momentanee perdite di controllo del modello, quindi è consigliabile mantenere sempre una certa distanza di sicurezza in ogni direzione, poiché questo può aiutare ad evitare urti o infortuni.

- Non utilizzare mai il modello con batterie scariche.
- Utilizzate sempre il modello in zone ampie, sgombrare da persone, macchine e traffico.
- Non utilizzate mai il modello in strade aperte al traffico o in luoghi affollati.
- Seguite attentamente le avvertenze d'uso di questo modello e di ogni altro accessorio (caricabatterie, batterie ricaricabili ecc.).

- Tenete qualsiasi prodotto chimico o elettrico al di fuori della portata dei bambini.
- Non leccate o ingerite alcun pezzo del modello perché questo può causare infortuni seri, o addirittura la morte.
- Utilizzate sempre con attenzione attrezzi e oggetti affilati.
- Prestare attenzione durante la costruzione perché alcune parti potrebbero avere degli spigoli vivi.
- Subito dopo l'uso NON toccate componenti del modello quali motore, variatore elettronico o la batteria, perché si scaldano molto durante il funzionamento. Toccandoli potreste scottarvi.
- Non infilate le dita tra gli ingranaggi del modello o altre parti in rotazione o movimento, poiché questo può causare danni o infortuni gravi.
- Accendete sempre prima la trasmittente e poi la ricevente sul modello. Invece spegnete sempre prima la ricevente e poi la trasmittente.
- Sollevate le ruote del modello da terra quando controllate il corretto funzionamento dell'apparato radio.

## CONTENUTO DELLA SCATOLA

- ECX® Micro Roost® Buggy (ECX00007T1/T2) o ECX® Micro Ruckus® Monster Truck (ECX00008T1/T2)
- Trasmittente a 2 canali
- Batterie AA (4)
- Batteria 3,7 V 200 mAh 1S LiPo (ECX10017)



## SPECIFICHE

### Trasmittente

Frequenza 2415MHz-2446MHz

Batterie AA x 4

### Automodello

Alimentazione Una cella 200 mAh LiPo

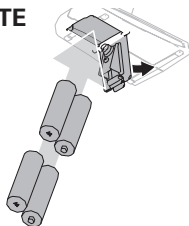
Autonomia 10 min

## UTILIZZO DELLA TRASMITTENTE

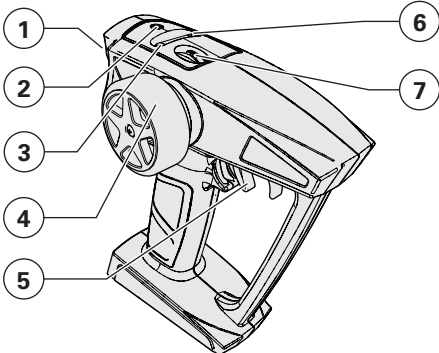
### INSTALLAZIONE DELLE BATTERIE NELLA TRASMITTENTE

Questa trasmittente richiede 4 batterie AA.

1. Aprire il coperchio delle batterie.
2. Installare le batterie come mostrato.
3. Chiudere il coperchio.



### COMANDI DELLA TRASMITTENTE



### PROCEDURA DI CONNESSIONE (BINDING)

1. Premere il pulsante di binding sulla trasmittente e accenderla. La spia LED rossa della trasmittente lampeggerà per 20 secondi a indicare che si trova in modalità di binding.
2. Accendere il modello mentre la trasmittente è in modalità binding.
3. Il LED sul modello rimane acceso una volta completato il binding.

**⚠ ATTENZIONE:** non rimuovere MAI le batterie dalla trasmittente se il modello è acceso. Farlo potrebbe causare perdita di controllo del modello, danni e lesioni.

**⚠ ATTENZIONE:** se si utilizzano batterie ricaricabili, ricaricare solo quelle e non le normali batterie non ricaricabili. Se si prova a ricaricare batterie non ricaricabili, vi è il rischio che queste possano esplodere, causando danni o lesioni a cose e/o persone.

**⚠ ATTENZIONE:** la sostituzione di una batteria con una batteria di tipo inappropriato può comportare il rischio di esplosioni. Smaltire le batterie esauste nel rispetto delle vigenti norme nazionali.

1. **Pulsante ON/OFF** Accende/spegne la trasmittente
2. **Pulsante per il binding** Collega la trasmittente al veicolo
3. **Spia luminosa**
  - **Luce verde**—Indica che la trasmittente è accesa.
4. **Volantino** Controlla la direzione di marcia (sinistra/destra) del modello
5. **Acceleratore** Controlla velocità e direzione (avanti/freno/retromarcia) del modello
6. **Spia luminosa**
  - **Spia di ricarica rossa**—Indica che la trasmittente è collegata al veicolo e che la batteria è in ricarica.
7. **ST Trim** Regola il punto centrale dello sterzo

## PREPARAZIONE DEL VEICOLO

### AVVERTENZE PER LA CARICA

**ATTENZIONE:** seguire attentamente le istruzioni e le avvertenze allegate. L'uso improprio delle batterie Li-Po può provocare incendi, causare lesioni alle persone e/o danni alle cose.

• **NON LASCIARE MAI L'ALIMENTATORE, IL CARICABATTERIE E LA BATTERIA INCUSTODITI DURANTE L'USO.**

• **NON CARICARE MAI LE BATTERIE DURANTE LA NOTTE SENZA SUPERVISIONE.**

- L'installazione, la carica e l'uso della batteria Li-Po inclusa comportano l'assunzione da parte dell'utente di tutti i rischi associati alle batterie al litio.
- Se in qualsiasi momento la batteria inizia a ingrossarsi o gonfiarsi, interromperne immediatamente l'uso. Se si sta caricando o scaricando la batteria, interrompere e scollegare il tutto.
- Per una conservazione ottimale, collocare sempre la batteria in un luogo asciutto a temperatura ambiente.
- Durante il trasporto o la conservazione temporanea, la temperatura della batteria deve essere sempre compresa tra 5 e 49 °C. Non conservare la batteria o il modello in auto o sotto la luce diretta del sole. Se conservata all'interno di un'auto surriscaldata, la batteria potrebbe danneggiarsi o addirittura incendiarsi.

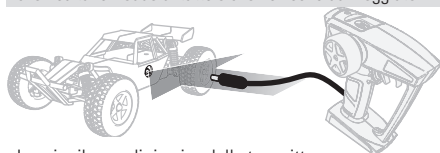
- Caricare sempre le batterie lontano da materiali infiammabili.
- Controllare sempre la batteria prima di caricarla.
- Scollegare sempre la batteria dopo la carica e lasciare raffreddare il caricabatterie tra una carica e l'altra.
- Controllare costantemente la temperatura del pacco batterie durante la carica.
- Utilizzare solo caricabatterie specificatamente progettati per caricare batterie Li-PO. La carica effettuata con caricabatterie non compatibili può provocare incendi, causare lesioni alle persone e/o danni materiali.
- Le celle Li-Po non devono essere mai scaricate sotto i 3 V in condizioni di carico.
- Non coprire mai le etichette di avvertenza con le fascette a strappo.
- Non caricare mai le batterie a livelli al di fuori di quelli raccomandati.
- Non caricare mai batterie danneggiate.
- Non tentare mai di smontare o alterare il caricabatterie.
- Non permettere ai minori di caricare le batterie.
- Non caricare mai le batterie in ambienti estremamente caldi o freddi (la temperatura consigliata è compresa tra 5 e 49 °C) né collocarle sotto la luce diretta del sole.

## PREPARAZIONE DEL MODELLO

### CARICARE LA BATTERIA DI BORDO

**ATTENZIONE:** non eccedere mai il tasso di carica raccomandato. La trasmittente inclusa è dotata di caricabatteria integrato adatto per ricaricare in sicurezza la batteria 1S 3,7 V 200 mAh Li-Po (ECX100017).

**AVVISO:** controllare attentamente la batteria per assicurarsi che non sia danneggiata in alcun modo (es. rigonfiamenti, piegature, rotture, fori). Caricare solo batterie che risultano fredde al tatto e che non sono danneggiate.



Inserire il cavo di ricarica dalla trasmittente alla porta di ricarica sul lato del modello. Il LED rosso in alto sulla trasmittente indica lo stato di ricarica.

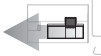
**IN RICARICA** (LED rosso acceso fisso)

**CARICA MAX** (LED SPENTO)

scollegare sempre la batteria dal caricabatterie una volta completata la carica.

**ATTENZIONE:** completata la ricarica, scollegare immediatamente il cavo. Non lasciare mai la batteria collegata al caricatore.

### PER INIZIARE

1. Accendere il modello con il pulsante  sul fondo del telaio.
2. Accendere la trasmittente. La spia LED verde sulla trasmittente rimane accesa mentre la trasmittente stabilisce la connessione con il modello.
3. Eseguire un test dei comandi della trasmittente del modello tenendo il modello con le ruote sollevate dal suolo.
4. Iniziare a muovere lentamente il modello; se non procede in linea retta, regolare l'indicatore del trim di sterzo sulla trasmittente.

**ATTENZIONE:** Micro Roost e Micro Ruckus sono stati ideati per l'uso sull'asciutto. Non usare Micro Roost e Micro Ruckus in presenza di pioggia o su superfici bagnate.

## DOPO L'USO

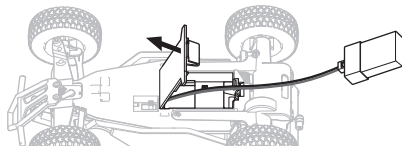
1. Spegner il modello.
2. Spegner il trasmettitore.
3. Ricaricare la batteria.

## SOSTITUIRE LA BATTERIA NEL MODELLO

1. Aprire il coperchio del vano batteria.
2. Rimuovere la batteria e scollegarla dal modello.
3. Installare la nuova batteria nel modello.
4. Inserire la batteria nel vano batteria.
5. Chiudere il coperchio.

**ATTENZIONE:** collegare la batteria al modello con polarità inversa danneggerà il veicolo, la batteria o entrambi. I danni causati dal collegamento errato della batteria non sono coperti dalla garanzia.

Parti di ricambio	
Componente n.	Descrizione
ECX10017	Batteria 3,7 V 200 mAh 1S LiPo: 1/28 ECX Roost/Ruckus
ECX201018	Telaio con motore ed elettronica: 1/28 Roost
ECX201019	Telaio con motore ed elettronica: 1/28 Ruckus



## GUIDA ALLA RISOLUZIONE DEI PROBLEMI

Problema	Possibile causa	Soluzione
Il modello non procede in linea retta	Trim di sterzo sulla trasmittente non centrato	Regolare il trim di sterzo sulla trasmittente in modo da consentire al modello di procedere in linea retta

## GARANZIA

### Periodo di garanzia

Garanzia esclusiva - Horizon Hobby, LLC (Horizon) garantisce che il prodotto acquistato (il "Prodotto") sarà privo di difetti relativi ai materiali e di eventuali errori di montaggio alla data di acquisto. Il periodo di garanzia è conforme alle disposizioni legali del paese nel quale il prodotto è stato acquistato. Tale periodo di garanzia ammonta a 6 mesi e si estende ad altri 18 mesi dopo tale termine.

### Limiti della garanzia

(a) La garanzia è limitata all'acquirente originale (Acquirente) e non è cedibile a terzi. L'acquirente ha il diritto a far riparare o a far sostituire la merce durante il periodo di questa garanzia. La garanzia copre solo quei prodotti acquistati presso un rivenditore autorizzato Horizon. Altre transazioni di terze parti non sono coperte da questa garanzia. La prova di acquisto è necessaria per far valere il diritto di garanzia. Inoltre, Horizon si riserva il diritto di cambiare o modificare i termini di questa garanzia senza alcun preavviso e di escludere tutte le altre garanzie già esistenti.

(b) Horizon non si assume alcuna garanzia per la disponibilità del prodotto, per l'adeguatezza o l'idoneità del prodotto a particolari previsti dall'utente. È sola responsabilità dell'acquirente il fatto di verificare se il prodotto è adatto agli scopi da lui previsti.

(c) Richiesta dell'acquirente – spetta soltanto a Horizon, a propria discrezione riparare o sostituire qualsiasi prodotto considerato difettoso e che rientra nei termini di garanzia. Queste sono le uniche rivalse a cui

l'acquirente si può appellare, se un prodotto è difettoso. Horizon si riserva il diritto di controllare qualsiasi componente utilizzato che viene coinvolto nella rivalsa di garanzia. Le decisioni relative alla sostituzione o alla riparazione sono a discrezione di Horizon. Questa garanzia non copre dei danni superficiali o danni per cause di forza maggiore, uso errato del prodotto, un utilizzo che viola qualsiasi legge, regolamentazione o disposizione applicabile, negligenza, uso ai fini commerciali, o una qualsiasi modifica a qualsiasi parte del prodotto. Questa garanzia non copre danni dovuti ad un'installazione errata, ad un funzionamento errato, ad una manutenzione o un tentativo di riparazione non idonei a cura di soggetti diversi da Horizon. La restituzione del prodotto a cura dell'acquirente, o da un suo rappresentante, deve essere approvata per iscritto dalla Horizon

### Limiti di danno

Horizon non si riterrà responsabile per danni speciali, diretti, indiretti o consequenziali; perdita di profitto o di produzione; perdita commerciale connessa al prodotto, indipendentemente dal fatto che la richiesta si basa su un contratto o sulla garanzia. Inoltre la responsabilità di Horizon non supera mai in nessun caso il prezzo di acquisto del prodotto per il quale si chiede la responsabilità. Horizon non ha alcun controllo sul montaggio, sull'utilizzo o sulla manutenzione del prodotto o di combinazioni di vari prodotti. Quindi Horizon non accetta nessuna responsabilità per danni o lesioni

derivanti da tali circostanze. Con l'utilizzo e il montaggio del prodotto l'utente acconsente a tutte le condizioni, limitazioni e riserve di garanzia citate in questa sede. Qualora l'utente non fosse pronto ad assumersi tale responsabilità associata all'uso del prodotto, si suggerisce di restituire il prodotto intatto, mai usato e immediatamente presso il venditore.

#### **Indicazioni di sicurezza**

Questo è un prodotto sofisticato di hobbistica e non è un giocattolo. Esso deve essere manipolato con cautela, con giudizio e richiede delle conoscenze basilari di meccanica e delle facoltà mentali di base. Se il prodotto non verrà manipolato in maniera sicura e responsabile potrebbero risultare delle lesioni, dei gravi danni a persone, al prodotto o all'ambiente circostante. Questo prodotto non è concepito per essere usato dai bambini senza una diretta supervisione di un adulto. Il manuale del prodotto contiene le istruzioni di sicurezza, di funzionamento e di manutenzione del prodotto stesso. È fondamentale leggere e seguire tutte le istruzioni e le avvertenze nel manuale prima di mettere in funzione il prodotto. Solo così si eviterà un utilizzo errato e si preveniranno incidenti, lesioni o danni.

#### **Domande, assistenza e riparazioni**

Il vostro negozio locale e/o luogo di acquisto non possono fornire garanzie di assistenza o riparazione senza previo colloquio con Horizon. Questo vale anche per le riparazioni in garanzia. Quindi in tali casi bisogna interpellare un rivenditore, che si metterà in contatto subito con Horizon per prendere una decisione che vi possa aiutare nel più breve tempo possibile.

#### **Manutenzione e riparazione**

Se il prodotto deve essere ispezionato o riparato, si prega di rivolgersi ad un rivenditore specializzato o direttamente ad Horizon. Il prodotto deve essere imballato con cura. Bisogna far notare che i box originali solitamente non sono adatti

per effettuare una spedizione senza subire alcun danno. Bisogna effettuare una spedizione via corriere che fornisca una tracciabilità e un'assicurazione, in quanto Horizon non si assume alcuna responsabilità in relazione alla spedizione del prodotto. Inserire il prodotto in una busta assieme ad una descrizione dettagliata degli errori e ad una lista di tutti i singoli componenti spediti. Inoltre abbiamo bisogno di un indirizzo completo, di un numero di telefono per chiedere ulteriori domande e di un indirizzo e-mail.

#### **Garanzia a riparazione**

Le richieste in garanzia verranno elaborate solo se è presente una prova d'acquisto in originale proveniente da un rivenditore specializzato autorizzato, nella quale è ben visibile la data di acquisto. Se la garanzia viene confermata, allora il prodotto verrà riparato o sostituito. Questa decisione spetta esclusivamente a Horizon Hobby.

#### **Riparazioni a pagamento**

Se bisogna effettuare una riparazione a pagamento, effettueremo un preventivo che verrà inoltrato al vostro rivenditore. La riparazione verrà effettuata dopo l'autorizzazione da parte del vostro rivenditore. La somma per la riparazione dovrà essere pagata al vostro rivenditore. Le riparazioni a pagamento avranno un costo minimo di 30 minuti di lavoro e in fattura includeranno le spese di restituzione. Qualsiasi riparazione non pagata e non richiesta entro 90 giorni verrà considerata abbandonata e verrà gestita di conseguenza.

**ATTENZIONE:** Le riparazioni a pagamento sono disponibili solo sull'elettronica e sui motori. Le riparazioni a livello meccanico, soprattutto per gli elicotteri e le vetture RC, sono molto costose e devono essere effettuate autonomamente dall'acquirente.

10/15

<b>Paese di acquisto</b>	<b>Horizon Hobby</b>	<b>Telefono/Indirizzo e-mai</b>	<b>Indirizzo</b>
EU	Horizon Technischer Service Sales: Horizon Hobby GmbH	service@horizonhobby.eu +49 (0) 4121 2655 100	Hanskampring 9 D 22885 Barsbüttel, Germany

## **INFORMAZIONI SULLA CONFORMITÀ PER L'UNIONE EUROPEA**

#### **Dichiarazione di conformità EU:**



Horizon Hobby, LLC con la presente dichiara che il prodotto è conforme ai requisiti essenziali e ad altre disposizioni rilevanti delle directive RED e EMC.

Una copia della dichiarazione di conformità per l'Unione Europea è disponibile a: <http://www.horizonhobby.com/content/support-render-compliance>.



#### **Smaltimento all'interno dell'Unione Europea**

Questo prodotto non deve essere smaltito assieme ai rifiuti domestici. Invece è responsabilità dell'utente lo smaltimento di tali rifiuti, che devono essere portati in un centro di raccolta designato per il riciclaggio di rifiuti elettronici. Con tale procedimento si aiuterà preservare l'ambiente e le risorse non verranno sprecate. In questo modo si proteggerà il benessere dell'umanità. Per maggiori informazioni sui punti di riciclaggio si prega di contattare il proprio ufficio locale o il servizio di smaltimento rifiuti.





**ECX00007T1/T2 | ECX00008T1/T2**  
**[www.ecxrc.com](http://www.ecxrc.com)**

© 2018 Horizon Hobby, LLC. ECX, the ECX logo, Ruckus, Roost, Dynamite,  
and the Horizon Hobby logo are trademarks or registered trademarks of Horizon Hobby, LLC.  
Created 08/2018

57661