

RF Antenna Cable Assembly

Specification

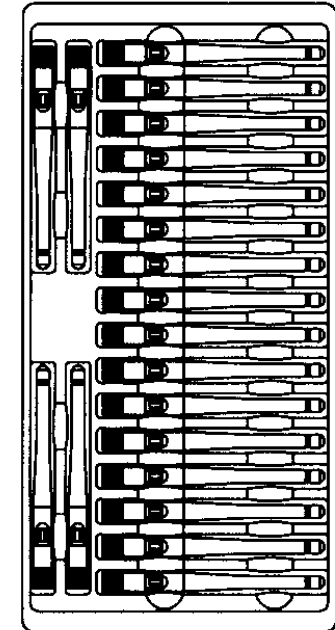
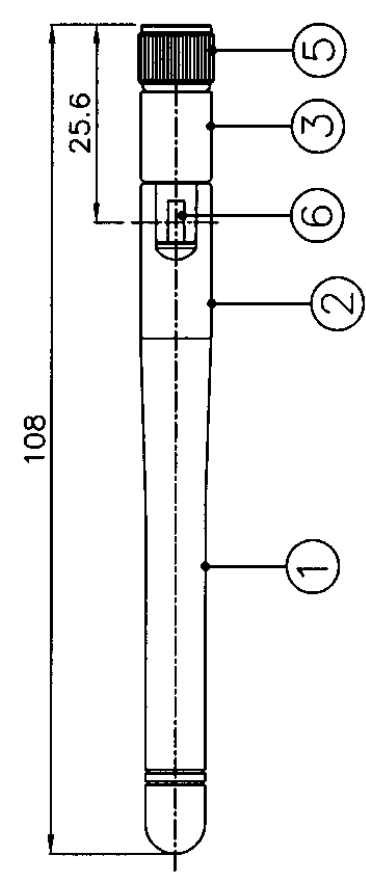
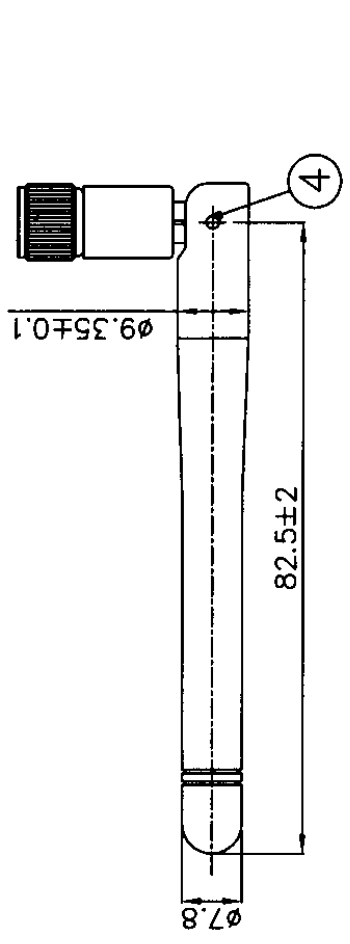
1. Electrical Properties :

- 1.1 Frequency Range..... 2.4GHz ~ 2.5GHz
- 1.2 Impedance 50Ω Nominal
- 1.3 VSWR 1.92 Max.
- 1.4 Return Loss..... -10 dB Maximum
- 1.5 Radiation Omni-directional
- 1.6 Gain(peak)..... 2dBi
- 1.7 Polarization..... Linear Vertical
- 1.8 Admitted Power..... 1W

2. Physical Properties :

- 2.1 Cable..... RG-178 Coaxial Cable
- 2.2 Antenna Cover..... TPE
- 2.3 Antenna Base..... PC
- 2.4 Antenna Base..... PBT
- 2.5 Operating Temp. -20°C ~ +65°C
- 2.6 Storage Temp. -30°C ~ +75°C
- 2.7 Color Black
- 2.8 Connector..... SMA Plug Reverse

CG-	A	B	C	D	E	F	G
REV	DATE	DESCRIPTION					New Issue
X1	2/7-2007						
1	2	3	4	5	6	NO	REMARK
						RG-178 , Translucent Brown ; 50 Ω	1
						SMA Straight Plug/Reverse(POM)	1
						Rivet POM , Black	2
						Antenna Base PBT ; Color:Black	1
						Antenna Base PC ; Color:Black	1
						Antenna Cover TPE ; Color:Black	1



Packing : 20pcs/Tray

APPROVE	CUSTOMER:	永洋
CHECKED	PART NO :	11320Y11024A1
	PARTNAME:	RF Antenna Assembly
	W.Y P/NO :	C381-510109-A
REV	UNIT	FILE :
X1	m/m	SHEET :
		1/1

XX	±5	APPROVE
X	±3.0	CHECKED
X	±1.0	
XX	±0.5	
XXX	±0.1	

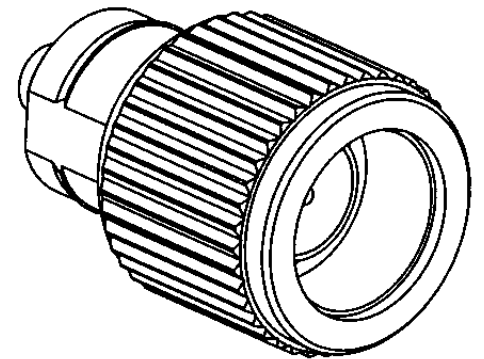
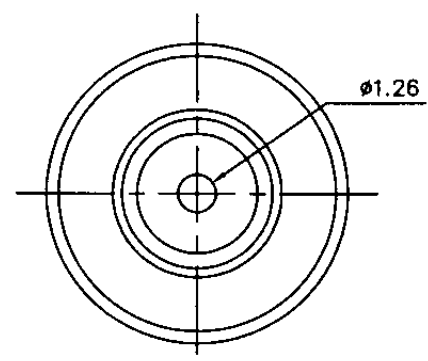
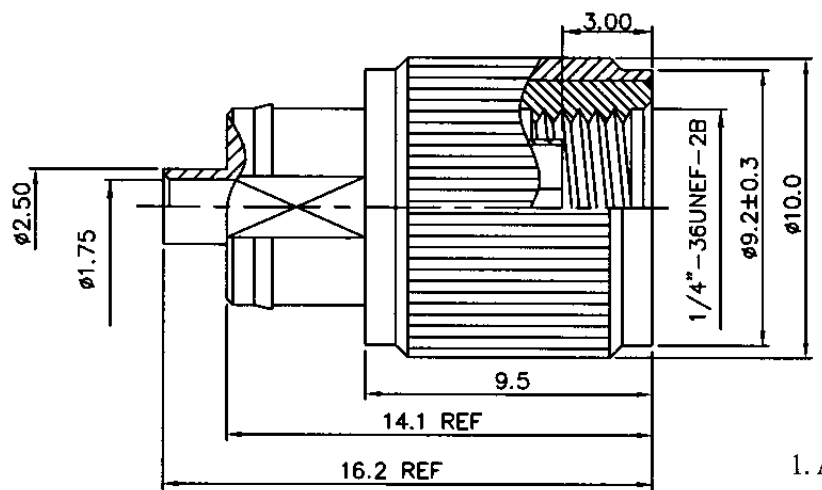
CUSTOMER'S SIGNATURE	
程志明	



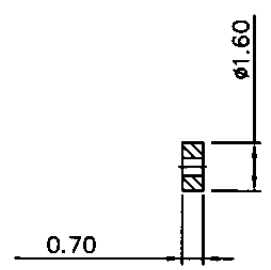
Wha Yu Group

THIS DRAWING, AND ITS INHERENT DESIGN CONCEPTS, ARE THE PROPERTY OF WHA YU AND AS SUCH MAY NOT BE COPIED, REPRODUCED, OR GIVEN TO THIRD PARTIES WITHOUT THE WRITTEN CONSENT OF WHA YU.

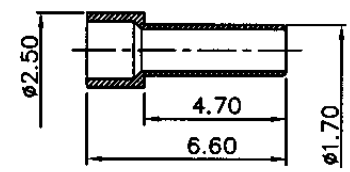
REV	DATE	DESCRIPTION
X1	2/7-2007	New Issue



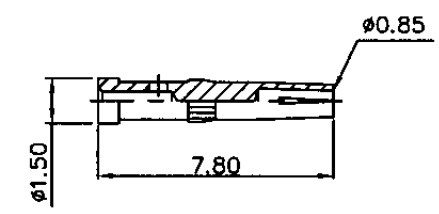
1. Assembly Body



2. Dielectric



3. Ferrule



4. Pin

NO	DESCRIPTION	MATERIAL	QTY	REMARK
4	Pin	Phosphor Bronze	1	Gold Plated 5 μ "
3	Ferrule	Brass	1	Nickel Plated 80 μ "
2	Dielectric	Teflon	1	N/A
1	Assembly Body	Brass	1	外殼黑色POM 牙鍍白鍍,本體鍍白鍍

CUSTOMER'S SIGNATURE	XX.	±5	APPROVED CHECKED DRAWING 	CUSTOMER:		
	X.	±3.0		PART NO :		
	.X	±1.0		PART NAME SMA Plug Reverse Straight For RG-178		
	.XX	±0.5		W.Y P/NO : 100-2001172-AZ		
	.XXX	±0.1		REV	UNIT	FILE :
			X1	m/m	SHEET : 1/1	

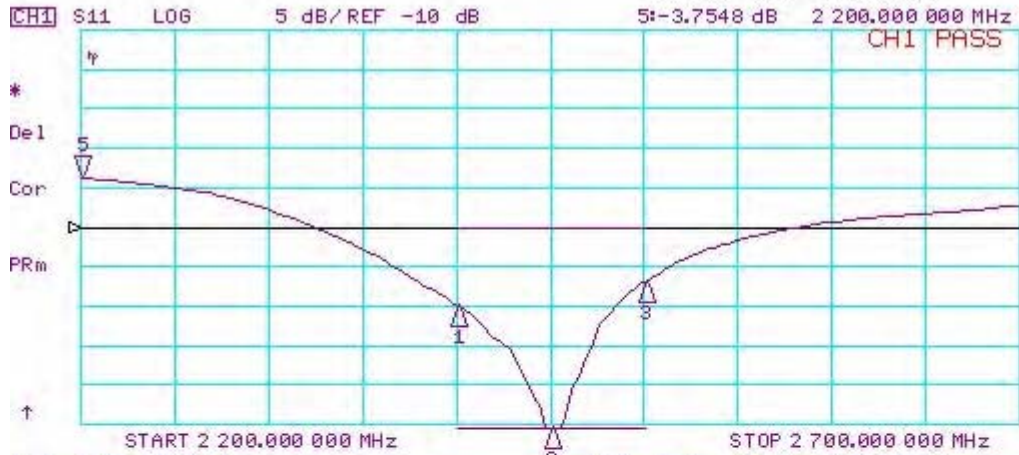
M.gear Wha Yu Group

THIS DRAWING, AND ITS INHERANT DESIGN CONCEPTS, ARE THE PROPERTY OF WHA YU AND AS SUCH MAY NOT BE COPIED, REPRODUCED, OR GIVEN TO THIRD PARTIES WITHOUT THE WRITTEN CONSENT OF WHA YU.

RF Antenna Assembly

P/No. C381-510109-A SSR-70284 Spec:2.4~2.5GHz

2 Feb 2007 10:06:20



CH1 Markers

- 1: -20.031 dB
2.40000 GHz
- 2: -38.517 dB
2.45000 GHz
- 3: -16.886 dB
2.50000 GHz

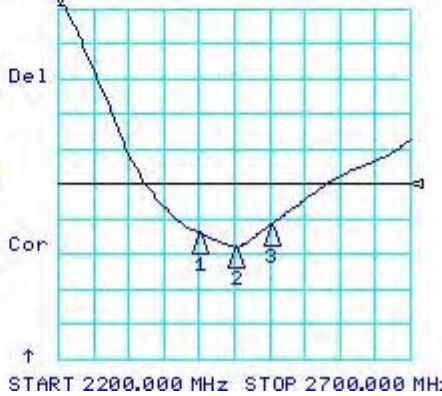
CH2 S11 1 U FS
5: 13.277 Ω -24.170 Ω 2.9931 pF
2 200.000 000 MHz



CH2 Markers

- 1: 41.459 Ω
3.2070 Ω
2.40000 GHz
- 2: 49.195 Ω
-861.33 m Ω
2.45000 GHz
- 3: 57.068 Ω
-13.736 Ω
2.50000 GHz

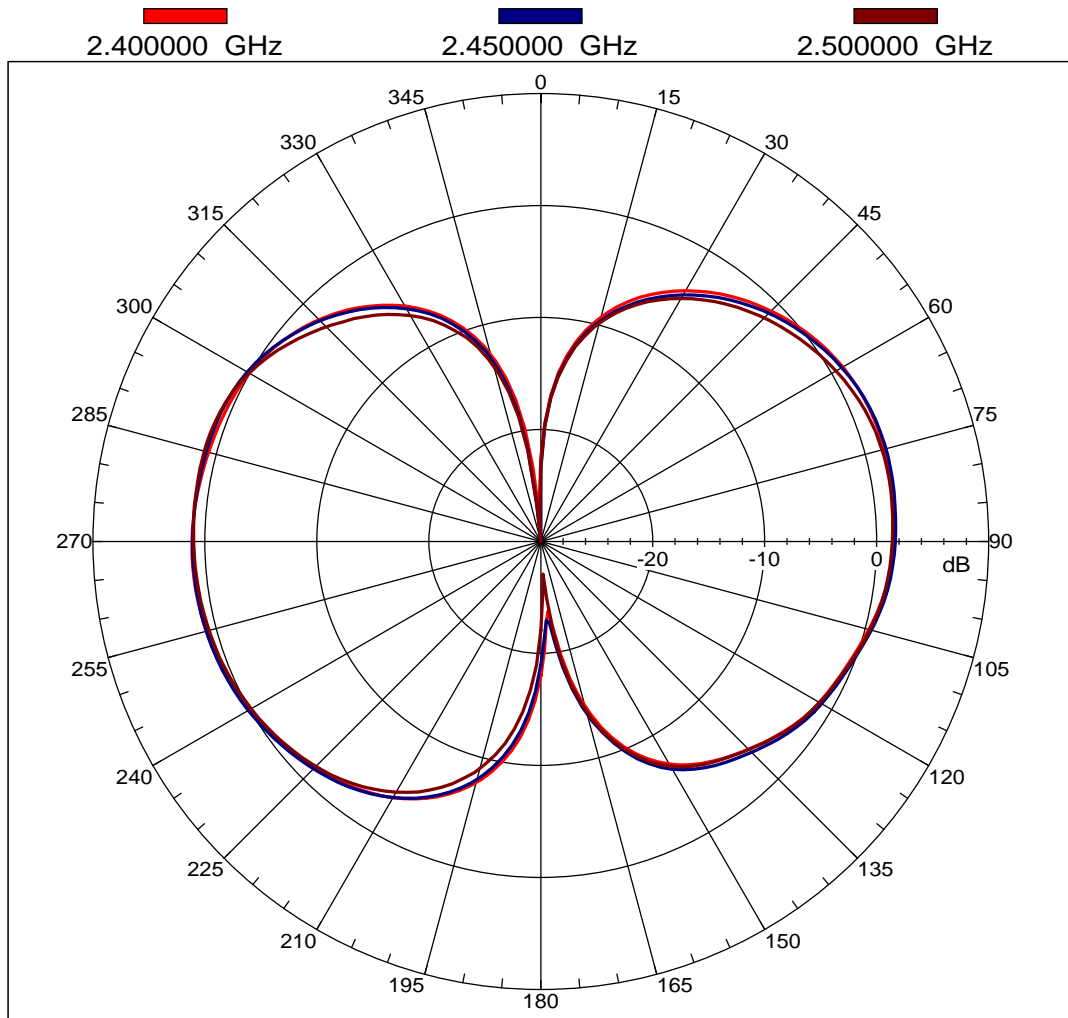
CH4 SWR 500 m / REF 1.92
S11 5: 4.6982 2 200.000 000 MHz



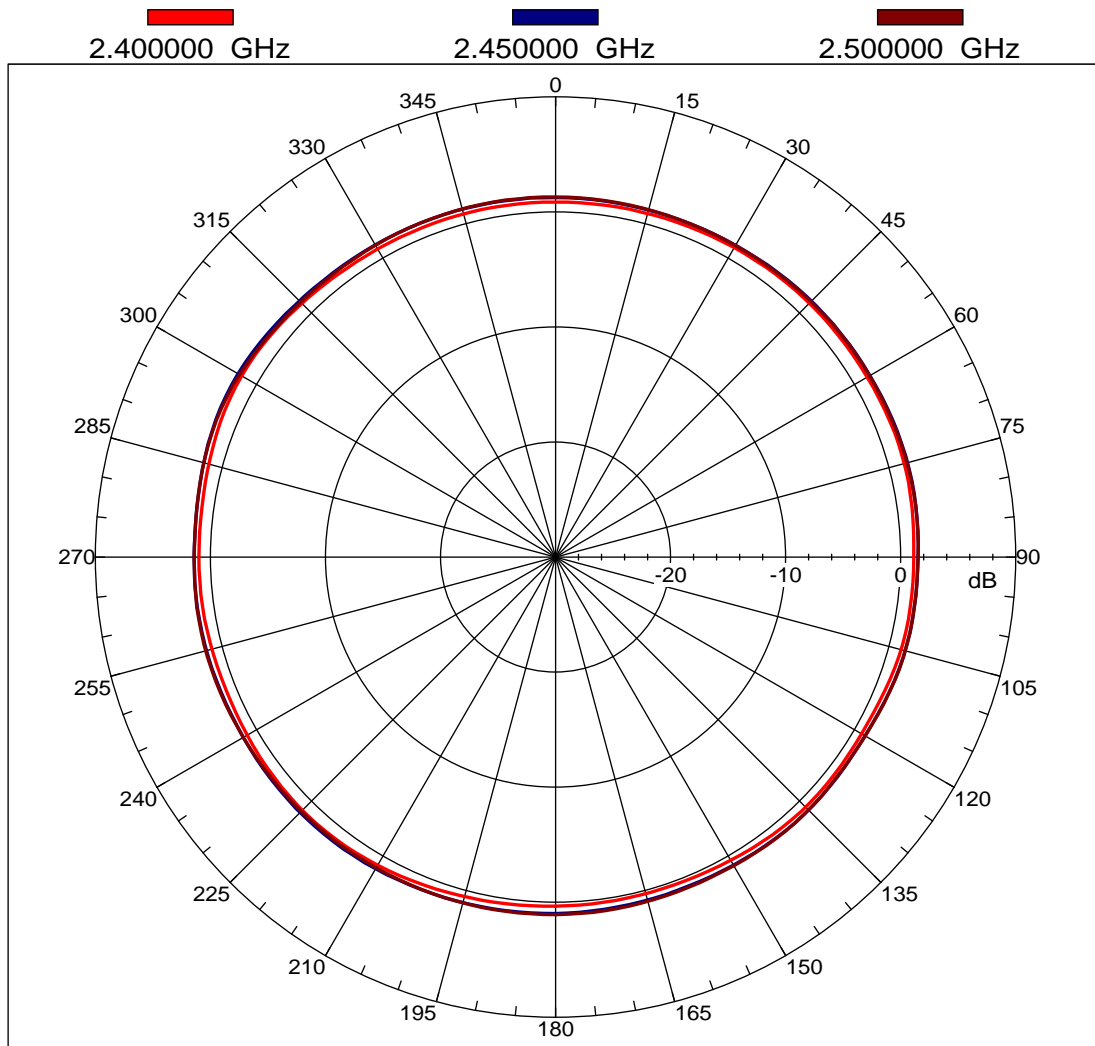
CH4 Markers

- 1: 1.2213
2.40000 GHz
- 2: 1.0240
2.45000 GHz
- 3: 1.3340
2.50000 GHz

Far-field amplitude of C381-510109-A SSR-70284 E-PLANE.nsi



Far-field amplitude of C381-510109-A SSR-70284 H-PLANE.nsi

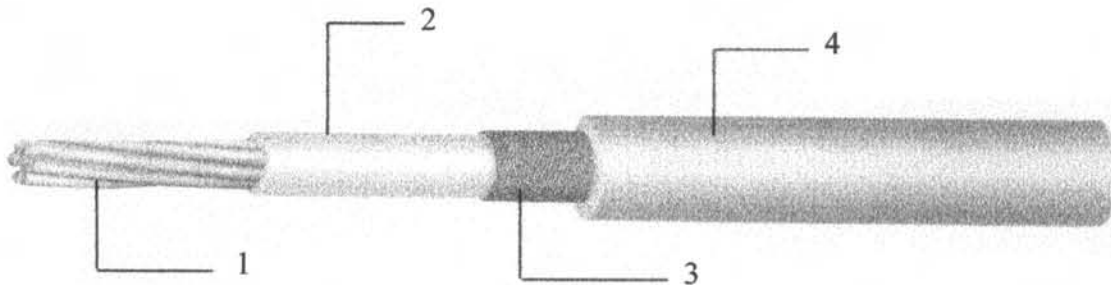


RG 178 B/U	FEP INSULATED HIGH-FREQUENCY COAXIAL CABLE	PAGE	1 / 2
PRODUCT STANDARD		ISSUED	21. Oct. 2003
		REVISED	

I - Scope

This specification presents a FEP insulated high-frequency coaxial cable AWG 30, 1.8 mm O.D. for internal wiring of electronic equipment, such as Computer / Notebook with wireless communication systems.

II - Construction



Item		Unit	Details
1. Inner Conductor	Material	—	CP-AG
	Composition	No./mm	AWG 30 or 7 × 0.1
	Dia. (approx.)	mm	0.305
2. Dielectric	Material	—	Extruded FEP
	Nom. O.D.	mm	0.84 ± 0.05
	Color	—	Natural
3. Outer Conductor	Material	—	Silver coated copper
	Composition	—	Braided (16 / 3 / 0.1)
	Dia. (approx)	mm	1.29 ± 0.07
4. Jacket	Material	—	Extruded FEP
	Dia.	mm	1.80 ± 0.08
	Color	—	Standard color is Light Orange

Note :



MADE BY
 APPROVALS

Shen Bin Chao
Shen Bin Chao

RG 178 B/U	FEP INSULATED HIGH-FREQUENCY COAXIAL CABLE	PAGE	2 / 2
PRODUCT STANDARD		ISSUED	21. Oct. 2003
		REVISED	

III – Characteristics

Item	Unit	Specified Value	Note
Temperature Rating	°C	-55 ~ +200	
Voltage Lasting	V	1000	
Dielectric strength	—	Dielectric core: No breakdown at AC 3 kv for 0.2 sec.	Spark test
		Jacket: No breakdown at AC 3 kv for 0.2 sec.	Spark test
Characteristic Impedance	Ω	50 ± 2	TDR method
Capacitance	pF / ft	29.4	
Attenuation. (Max.)	dB/100ft	16.0	100.0 MHz
		33.0	400.0 MHz
		52.0	1.0 GHz
		94.0	3.0 GHz
Approx. Weight	g / m	7.68	

Note :



MADE BY
APPROVALS

Prebe Lin
Shen Bin Chao



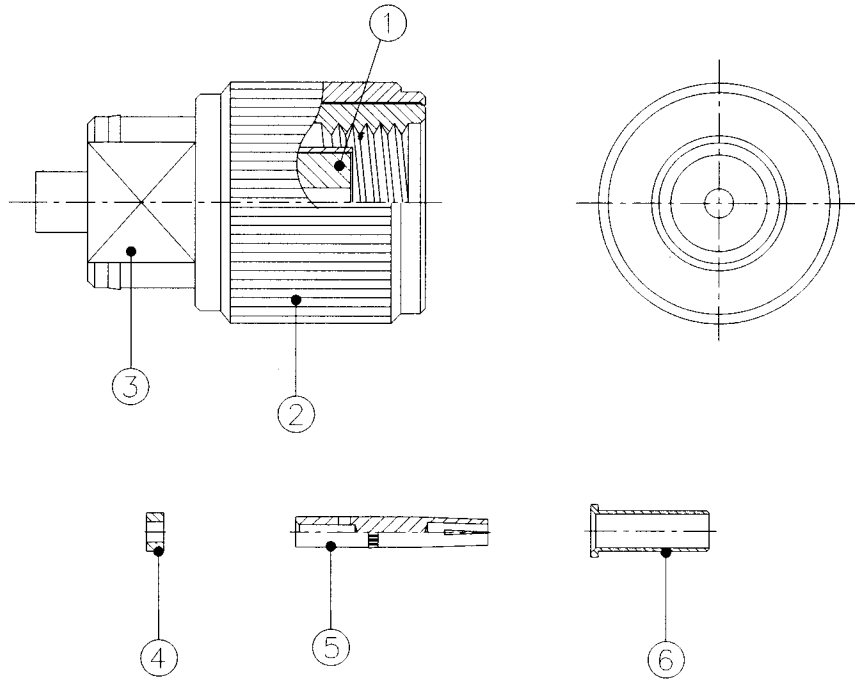
華裕實業股份有限公司

WHA YU INDUSTRIAL CO., LTD

Connector 材質證明書

華裕料號 Whyu P/N	100-2001172-AZ	產品名稱 Product Name	SMA Plug Reverse Straight For RG-178
------------------	----------------	----------------------	--------------------------------------

結構圖面



材質成份

表面處理

		材質成份							表面處理	
1	絕緣體	Teflon	PTFE							N/A
2	外殼	POM	POM							黑色
3	本體	Brass	Cu	Pb	Fe	Fe+Sn	Zn	鍍鎳		
4	絕緣體	Teflon	PTFE							N/A
5	中心針	Phos. Bronze	Cu	Sn	P	Zn	Pb	鍍金		
6	尾管	Brass	Cu	Pb	Fe	Fe+Sn	Zn	鍍鎳		

Remark :

