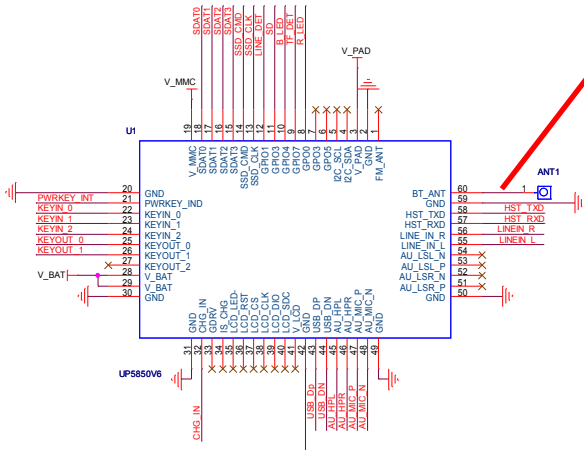
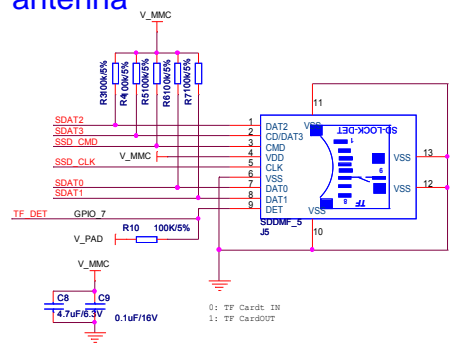


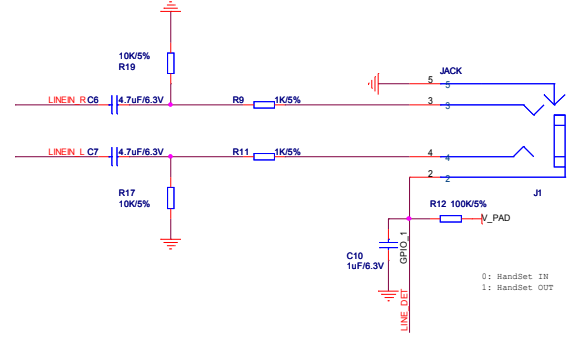
# The BT antenna



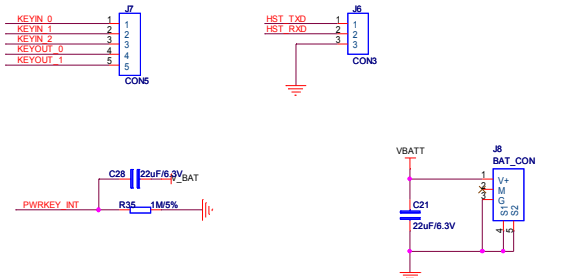
CORE



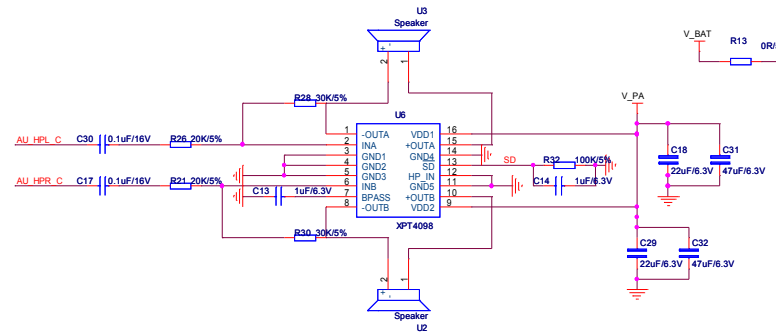
SD card



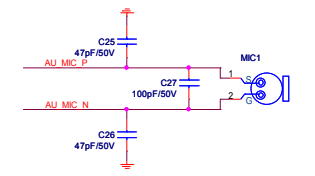
LINE\_IN



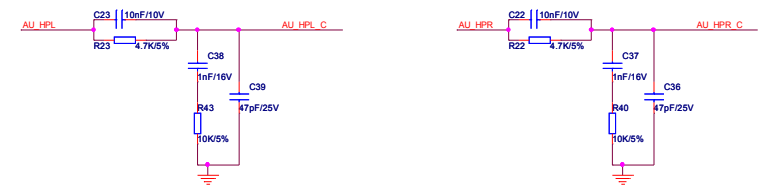
POWER



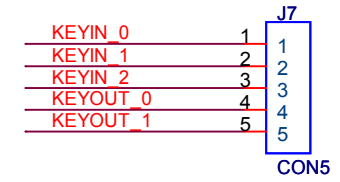
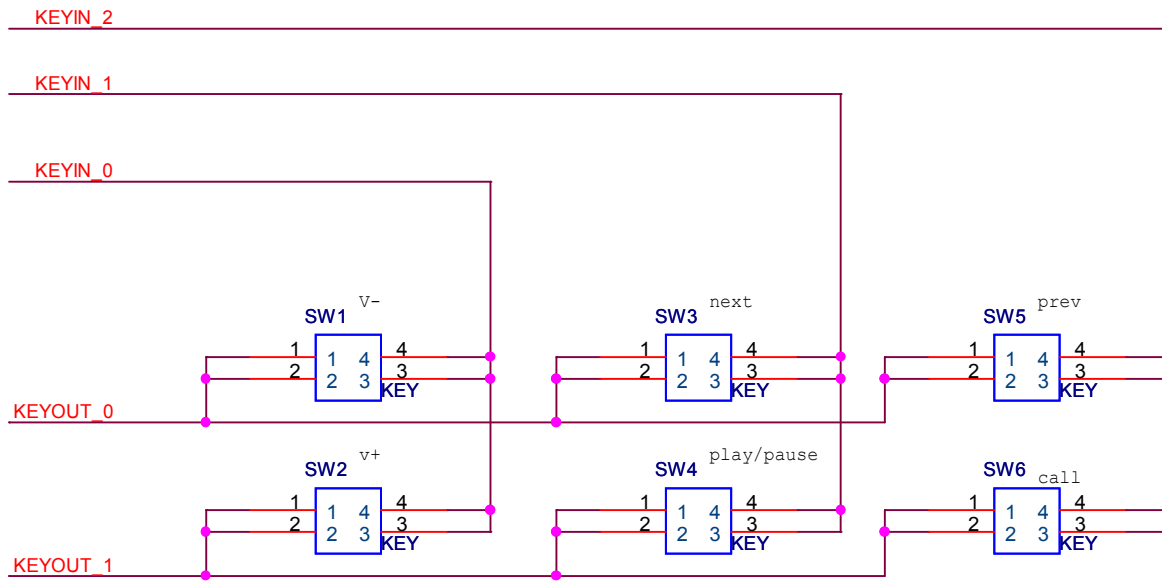
PA



MIC



File	REFER-DEN-NOLCD_V1.0	
Size	Document Number	Rev
C	Schematic	V1.0
Date	Thursday, July 25, 2013	Sheet 1 of 1



Title		
<Title>		
Size	Document Number	Rev
A	<Doc>	<RevCode>
Date:	Thursday, July 25, 2013	Sheet 1 of 1

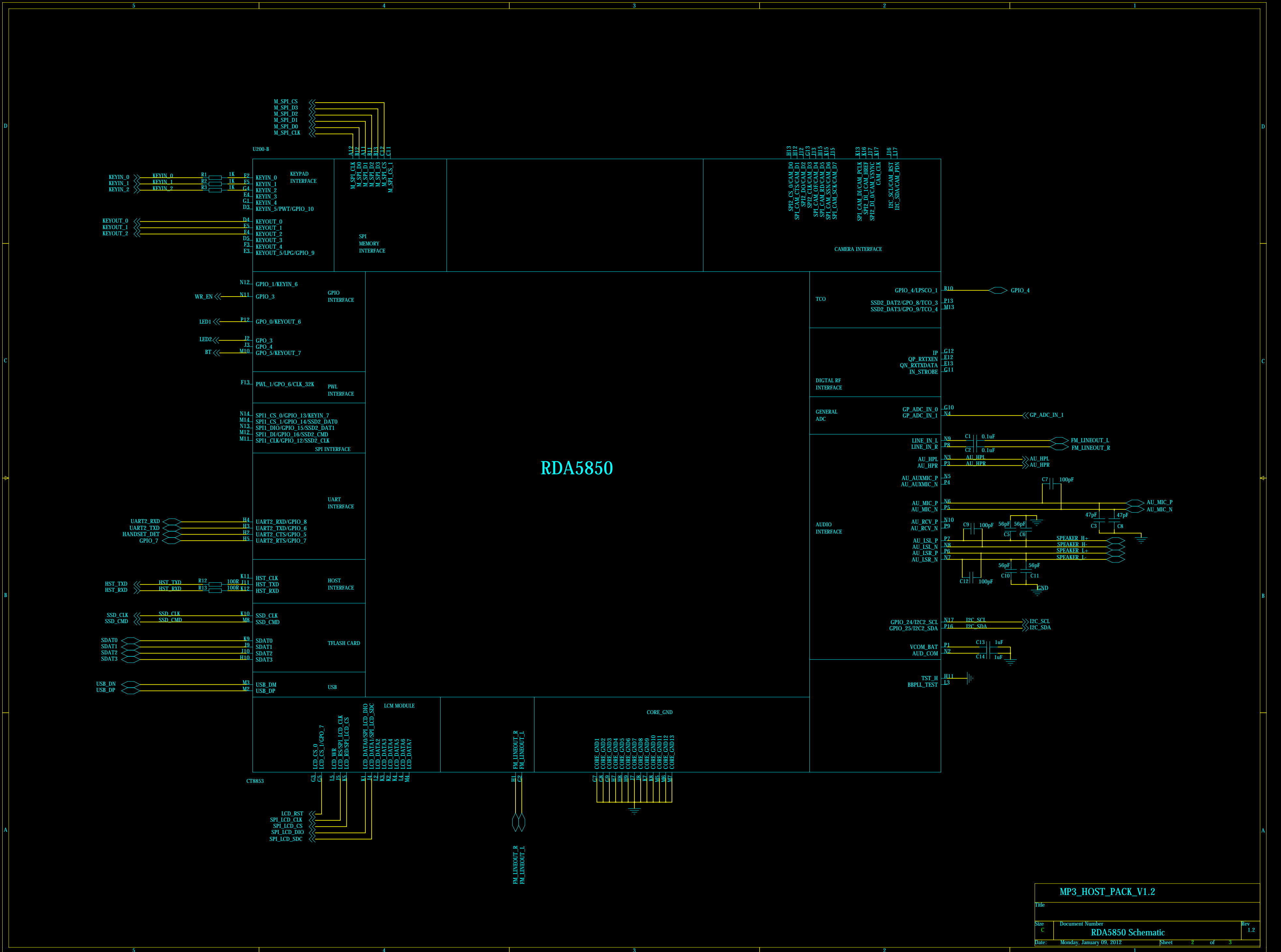
# RDA5850 REFERENCE DESIGN SCHEMATIC

## INDEX OF SCHEMATIC PAGES

PAGE	DESCRIPTION
PAGE01:	INDEX
PAGE02:	RDA5850
PAGE03:	RDA5850 AB&Memory

RDA TECHNOLOGIES INC.

Title		
Index		
Size	Document Number	Rev
C	RDA5850 Schematic	1.0
Date:	Monday, January 09, 2012	Sheet 1 of 3



RDA5850

MP3_HOST_PACK_V1.2		
Title		
Size	Document Number	Rev
C	RDA5850 Schematic	1.2
Date:	Monday, January 09, 2012	Sheet 2 of 3

