



# ***WIRELESS N ROUTER***

***SR-300***

***USER'S GUIDE***

## TABLE OF CONTENT

1. Setup .....	3
2. Specification .....	4
3. FCC / IC statement .....	5

## 1. Setup

SR-300 will be installed in a common network configuration, such as that shown in Figure 1. The Sorenson Videophone will connect via common cabling (e.g., Cat-5 or Cat-5e) to SR-300. Other devices may be connected via cabling to the router as well. Optionally, wireless devices can also connect to SR-300. SR-300 will connect to a cable or DSL modem connected to the Internet via an ISP.

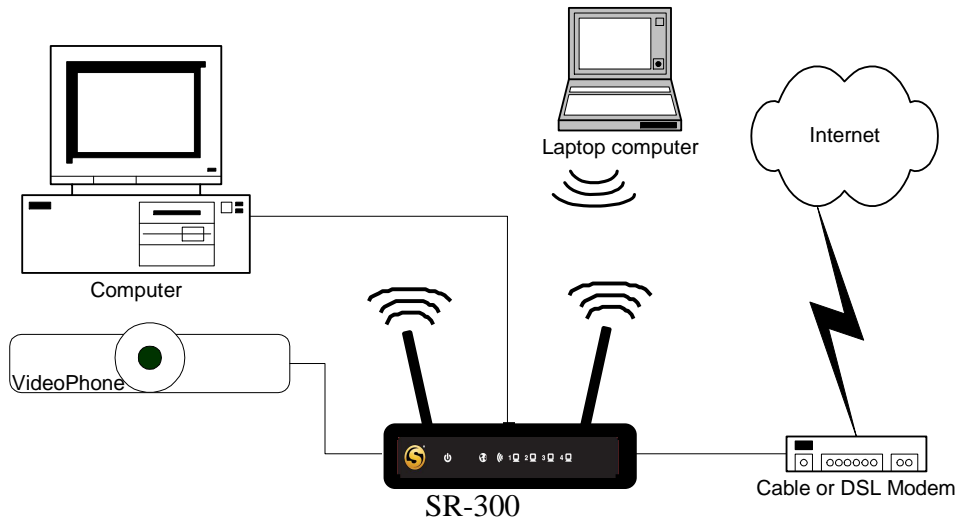


Figure 1 - Basic Network Configuration

## 2. Specification

<b>Specification</b>	
<b>Standards</b>	IEEE 802.11n (draft 2.0)
	IEEE 802.11g
	IEEE 802.3
	IEEE 802.3u
<b>Device Interface</b>	4 10/100 LAN Ports
	1 10/100 WAN Port
<b>Antenna Type</b>	2 Fixed Antennas
<b>Security</b>	Wi-Fi® Protected Access (WPA™, WPA2™)
<b>Advanced Firewall Features</b>	Network Address Translation (NAT)
	Stateful Packet Inspection (SPI)
	VPN Pass-through / Multi-sessions PPTP / L2TP / IPSec
<b>Device Management</b>	Internet Explorer® v6 or Later; Mozilla Firefox® v1.5 or Later; or other Java-enabled Browsers
<b>LEDs</b>	Power and Status
	WAN (10/100)
	WLAN (Wireless Connection)
	LAN (10/100)
<b>Certifications</b>	FCC Class B
	IC
	Wi-Fi®
<b>Dimensions</b>	Item (WxDxH): 5.7" x 4.2" x 1.2"
	Packaging (WxDxH): 10.8" x 8" x 2.6"
<b>Weight</b>	Item: 0.5 lbs
	Packaging: 1.5 lbs
<b>Minimum System Requirements</b>	Cable or DSL Modem
	Computer with:
	Windows® Vista**, Windows® XP SP2**, or Windows® 2000 SP4**, or Mac OS® X (v10.4)***
	Internet Explorer v6 or Mozilla Firefox v1.5
	Network Interface Card
	For Internet Access:
	Cable or DSL Modem
	Subscription with an Internet Service Provider (ISP)
<b>Package Contents</b>	Wireless N Router with 2 Attached Antenna
	CAT5 Ethernet Cable
	Power Adapter

### **3. FCC / IC statement**

#### **Industry Canada statement**

This device complies with RSS-210 of the Industry Canada Rules. Operation is subject to the following two conditions:

- 1) This device may not cause harmful interference, and
- 2) This device must accept any interference received, including interference that may cause undesired operation.

#### Règlement d'Industry Canada

Les conditions de fonctionnement sont sujettes à deux conditions:

- 1) Ce périphérique ne doit pas causer d'interférence et.
- 2) Ce périphérique doit accepter toute interférence, y compris les interférences pouvant perturber le bon fonctionnement de ce périphérique.

#### **IMPORTANT NOTE:**

Radiation Exposure Statement:

This equipment complies with IC radiation exposure limits set forth for an uncontrolled environment. This equipment should be installed and operated with minimum distance 20cm between the radiator & your body.

#### **Federal Communication Commission Interference Statement**

This equipment has been tested and found to comply with the limits for a Class B digital device, pursuant to Part 15 of the FCC Rules. These limits are designed to provide reasonable protection against harmful interference in a residential installation. This equipment generates, uses and can radiate radio frequency energy and, if not installed and used in accordance with the instructions, may cause harmful interference to radio communications. However, there is no guarantee that interference will not occur in a particular installation. If this equipment does cause harmful interference to radio or television reception, which can be determined by turning the equipment off and on, the user is encouraged to try to correct the interference by one of the following measures:

- Reorient or relocate the receiving antenna.
- Increase the separation between the equipment and receiver.
- Connect the equipment into an outlet on a circuit different from that to which the receiver is connected.
- Consult the dealer or an experienced radio/TV technician for help.

#### **FCC Caution:**

Any changes or modifications not expressly approved by the party responsible for compliance could void the user's authority to operate this equipment.

This device complies with Part 15 of the FCC Rules. Operation is subject to the following two conditions:

- (1) This device may not cause harmful interference, and

(2) This device must accept any interference received, including interference that may cause undesired operation.

**IMPORTANT NOTE:**

FCC Radiation Exposure Statement:

This equipment complies with FCC radiation exposure limits set forth for an uncontrolled environment. This equipment should be installed and operated with minimum distance 20cm between the radiator & your body.

This transmitter must not be co-located or operating in conjunction with any other antenna or transmitter.

The availability of some specific channels and/or operational frequency bands are country dependent and are firmware programmed at the factory to match the intended destination. The firmware setting is not accessible by the end user.