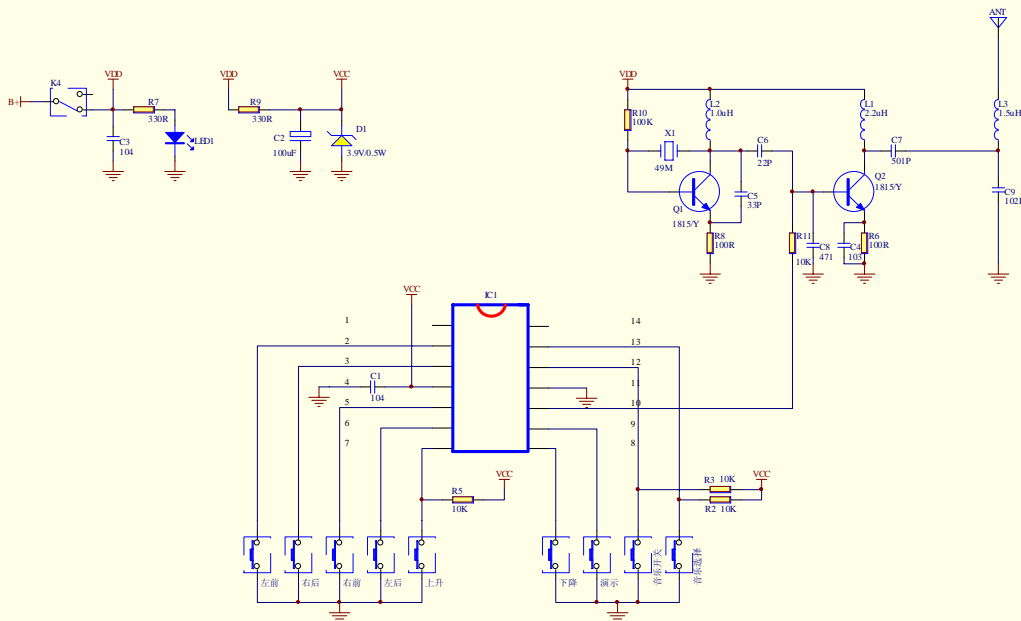


Schematic Diagram



Title		
Size	Number	Revision
B		
Date:	9 Nov 2010	Sheet of
File:	C:\Documents and Settings\Administrator\Documents\10110101.DDB	