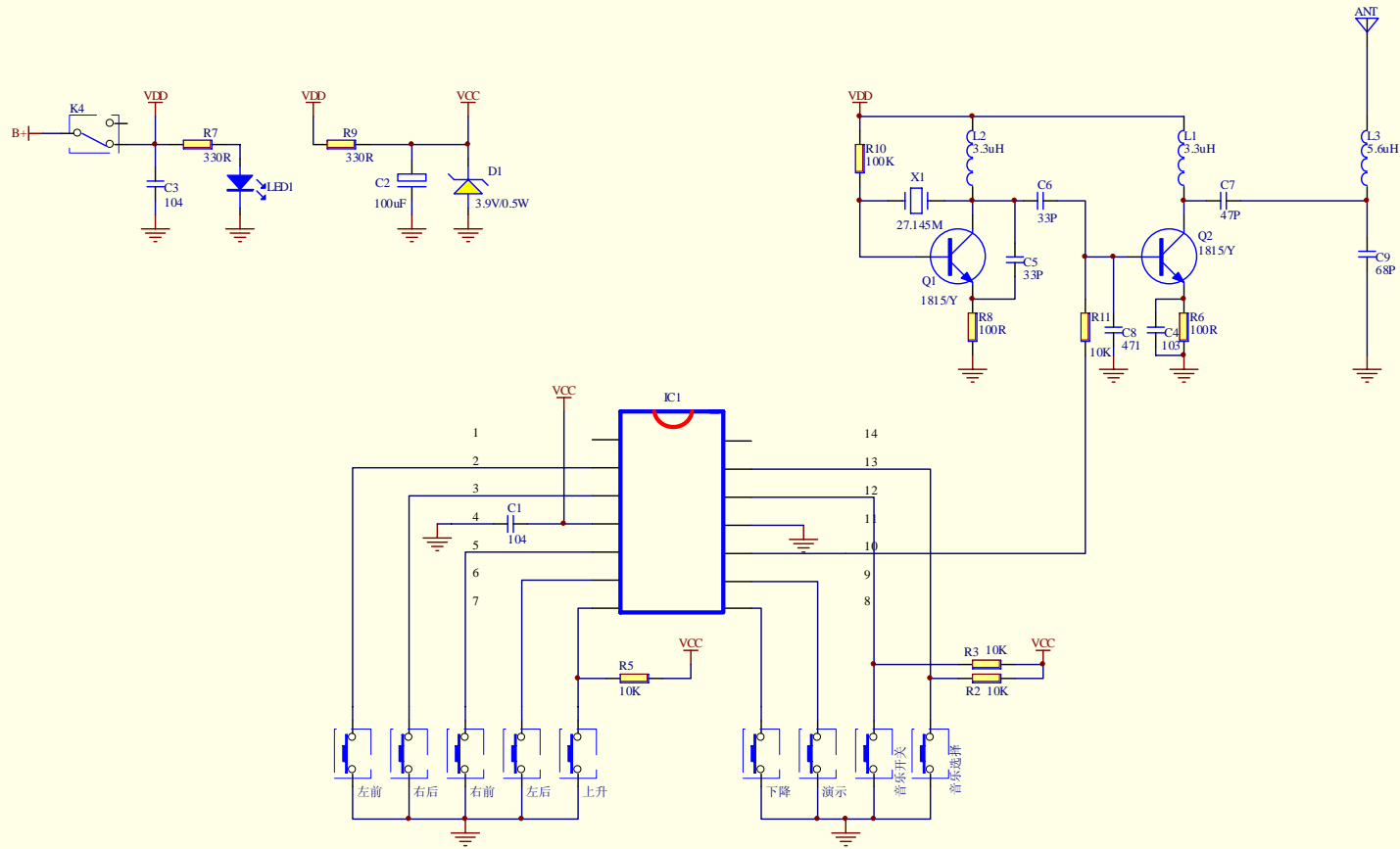


Schematic Diagram



Title		
Size B	Number	Revision
Date:	29/04/2010	Sheet of
File:	C:\Documents and Settings\Administrator\My Documents\YY-058T1.DDB	