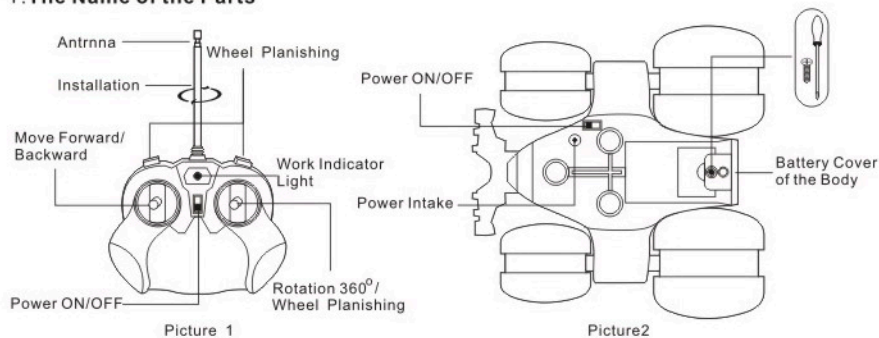
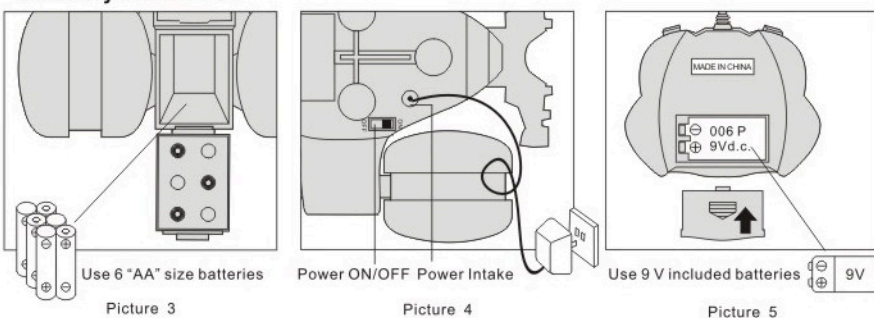


SIDEWAYS TUMBLER RADIO CONTROL

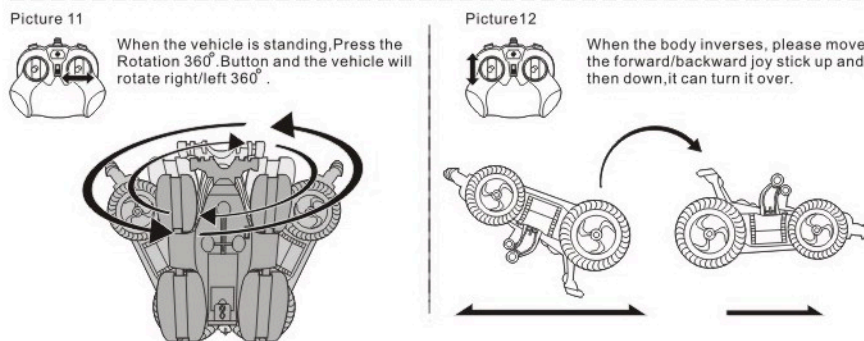
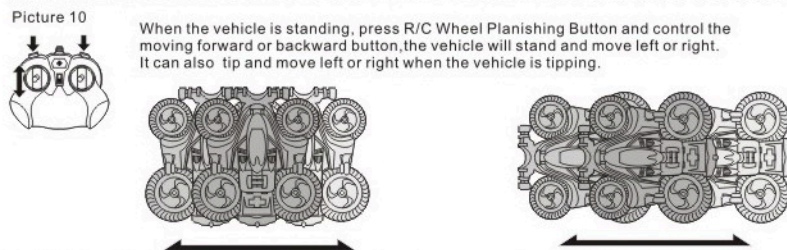
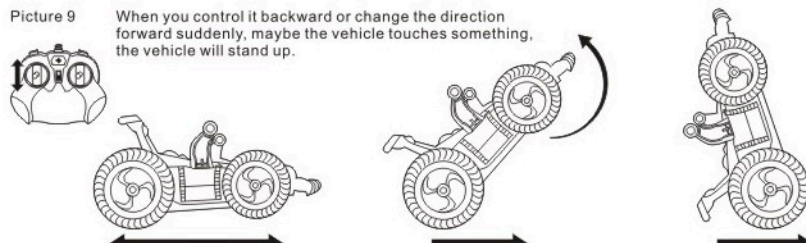
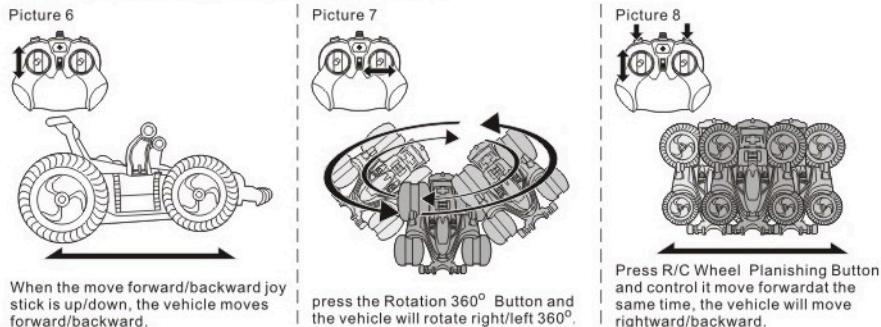
1. The Name of the Parts



2. Battery Installation



3. The Operation of the Remote Controller



4. Notice

The vehicle can reach very high speed. If you operate it incorrectly, it may cause danger. Please comply with the warning as below:

- (1) Playing
 - Make sure the battery installation of the vehicle is correct.
 - Make sure the battery installation of the remote controller is correct.
 - The vehicle may stop action or make mistakes when the electric wave disturbs it. This is not failure. Please go to another place far away from the electric wave disturbing.
 - Please don't touch the tyre when it is playing.
 - Please take out the batteries in the vehicle and the remote controller after playing. If you don't take them out, it may cause leakage and damage the remote controller or the vehicle.
- (2) Storage
 - Please take out all the batteries of the vehicle before storing.
 - Don't put the vehicle near the fire, in the high-temperature environment or in the place that is shined directly by the sunshine.
 - Don't put the vehicle in the wet place, outdoors or in the rain.
- (3) The Using of Battery
 - When you use high-capability batteries as the power, there is strong current in the circuit. If you operate it incorrectly, it may cause damage or accident.
 - In order to keep safe, please comply with the instructions of battery and charger when using.
- (4) Remote Controlling the Sideways Vehicle
 - Please make sure there is no the same frequency R/C model nearby at the same time. No matter what model is, such as vehicle, plane or ship, it may disturb your controlling or cause an accident. If there is the same frequency R/C model nearby at the same time, please move to another place at least a kilometer from here in order to avoid disturbing each other.
 - Don't play it on the street or in the crowd in order to avoid having an accident or damage.
 - Don't play it in the wet place or in the rain. Otherwise the parts may be wet and cause failure. If you change the new batteries, there is still something wrong with it, it may be disturbed by the electric wave at the moment, please choose another place or another time to play.
 - If you hear the thunder or see the lightning, please stop playing and put away the antenna at once. Please comply with these basic requests so that the operation is funny and safe. Please keep the instructions for your reference in the future.