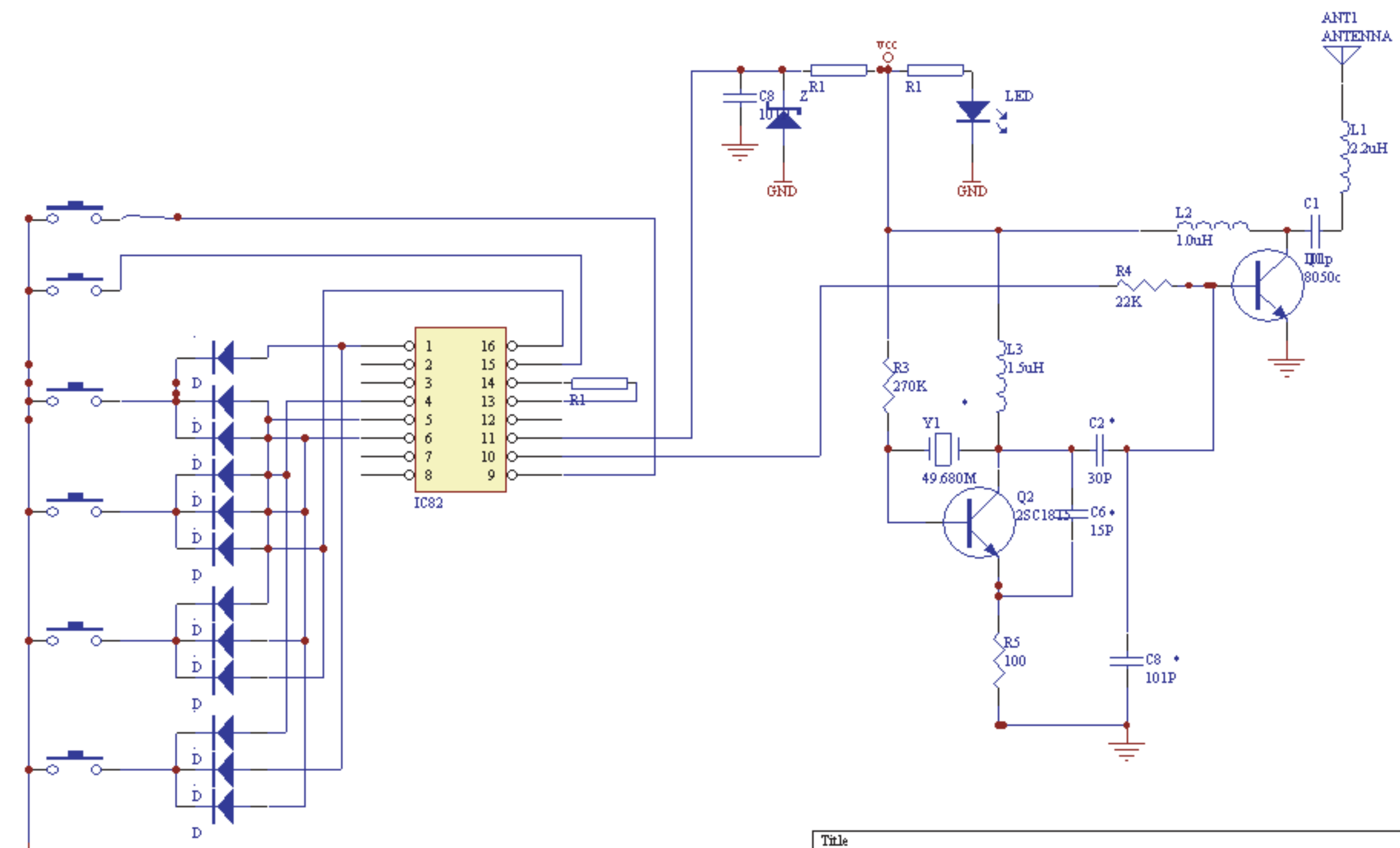


D

C

B

A



Title		
Size	Number	Revision