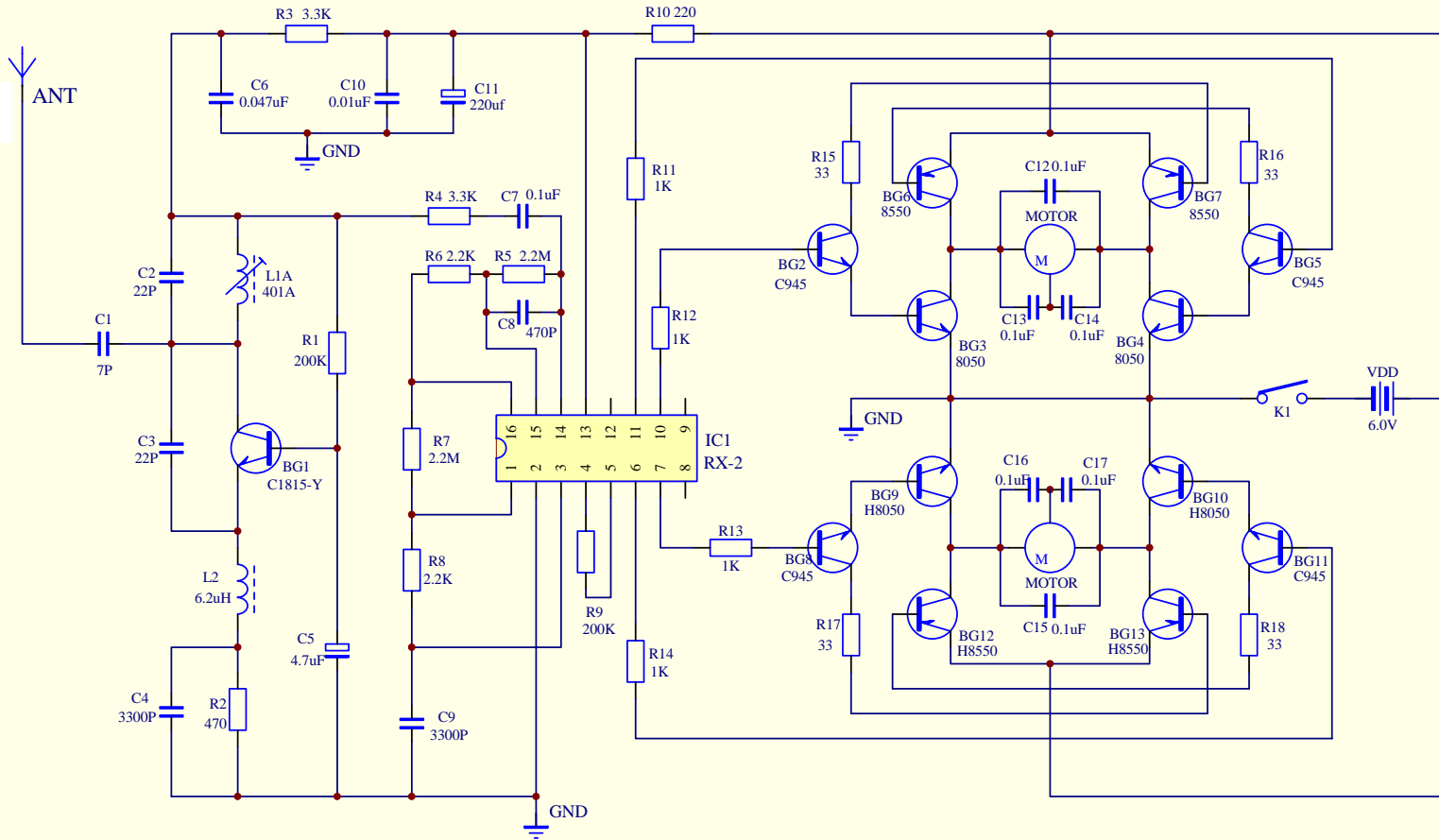


# Schematic Diagram

RX 49MHz



Title			TP-470R-RX-4WAY		
Size	Number	Revision			
A4	RX-49.860MHz				
Date:	13-Jan-2008	Sheet of			
File:	F:\FCC\银洞\470R49M.SCH	Drawn By:		TPKJ. TECH.	