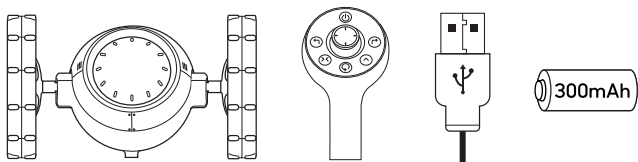


## CONTENTS

- 1x Jumping Car**
- 1x Remote Control**
- 1x USB Charging Cable**
- 1x 300mAh 3.7V Rechargeable Battery**



## BATTERIES AND CHARGING

The remote control requires 2 "AAA 1.5V alkaline batteries (not included).

### REMOTE CONTROL:

- Use a Phillips head or Cross screwdriver to open the battery compartment at the base of the remote.
- Insert the AAA 1.5V batteries according to the diagram inside the battery tray.
- Replace battery cover and tighten screw.

### CAR:

- The charging port is located on the underside of the vehicle.
- ONLY use the included USB cable.
- Useable with standard 5V USB port or charger.

## RECHARGEABLE BATTERY WARNING

- There is a risk of fire and personal injury if battery is punctured, damaged, or misused.
- Do not dismantle, crush, incinerate or short-circuit battery.
- Never expose battery to extreme temperatures or moisture.
- Keep away from flammable materials and direct sunlight.
- **Only charge using the provided charger, cable, and/or adapters.**
- **Rechargeable battery is only to be charged by an adult.**
- Adult Supervision of the battery while it is charging is required.
- Allow battery to cool to room temperature before charging.
- Charge on a non-flammable surface and keep away from flammable products.
- Discontinue charging if battery becomes hot, swells, smokes, or gives off a strong odor.
- Battery chargers used with the product are to be regularly examined for damage to the cord, plug, enclosure, and other parts, and in the event of such damage, they must not be used until the damage has been repaired.
- Remove batteries before storing.
- Recycle or dispose of battery according to federal, state, and local laws.
- Keep these instructions for future reference.

## BATTERY WARNING

- Do not mix old and new batteries.
- Do not mix alkaline, standard (carbon-zinc), or rechargeable batteries.
- Alkaline batteries are recommended. Use only the specified voltage.
- Insert batteries using the correct polarity. Always use, replace, and recharge (if applicable) batteries under adult supervision.
- Do not charge with non-rechargeable batteries.
- Do not short-circuit the battery supply terminals.
- Do not dispose of batteries in fire, batteries may explode or leak.
- Remove batteries before storing.
- Recycle or dispose of batteries according to federal, state, and local laws.
- Keep these instructions for future reference.

## SAFETY PRECAUTIONS

- Avoid water when operating.
- Do not submerge car or controller in water.
- Do not use people or animals as obstacles.
- Do not run car into furniture objects or hard surfaces as this will cause damage to both the objects and car.
- Keep fingers, hair and loose clothing away from the tires, gears and motor while car is switched to "ON".
- Do not leave car or transmitter near sources of heat or under direct sunlight for long periods of time.
- Remove all batteries when not in use to avoid accidental operation.
- Adult supervision is recommended when operating car.
- Thoroughly inspect products before every use. If the product appears worn, frayed/splintered, cracked, or broken in any manner, discontinue use and discard immediately.

**WARNING:** Changes or modifications not expressly approved by the party responsible for compliance could void the user's authority to operate the equipment

This device complies with Part 15 of the FCC Rules. Operation is subject to the following two conditions: (1) this device may not cause harmful interference, and (2) this device must accept any interference received, including interference that may cause undesired operation.

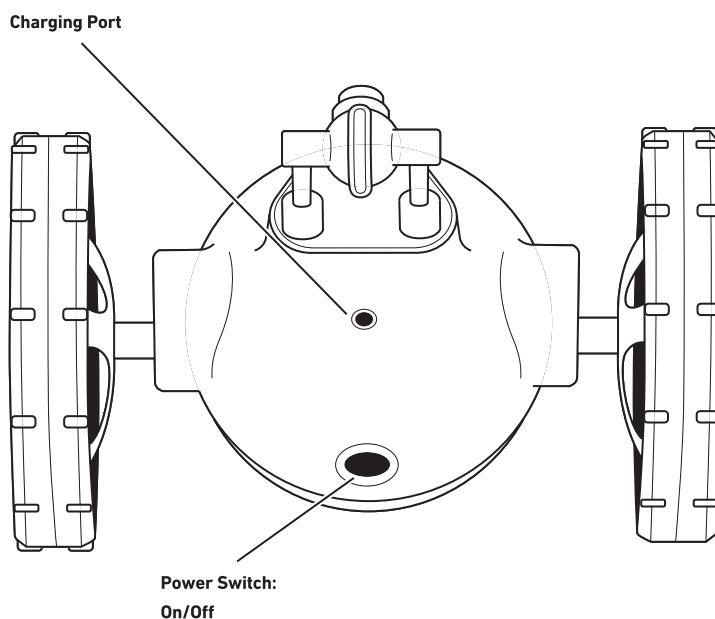
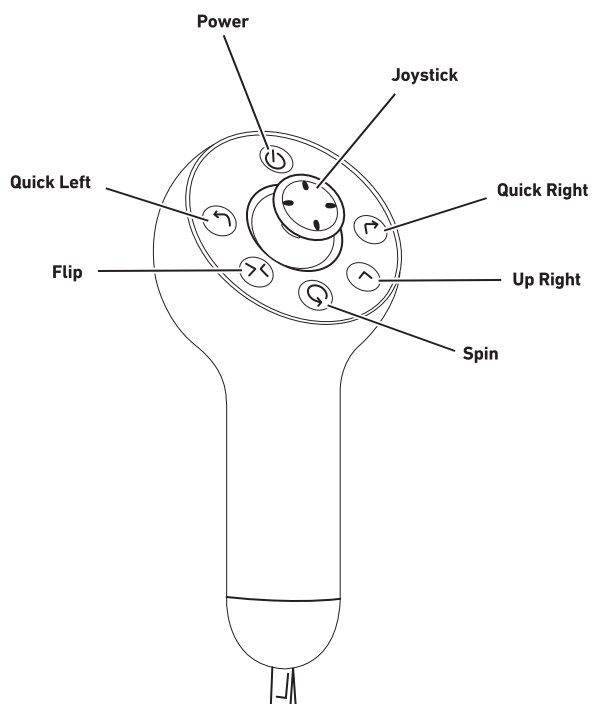
**NOTE:** This equipment has been tested and found to comply with the limits for a Class B digital device, pursuant to Part 15 of the FCC Rules. These limits are designed to provide reasonable protection against harmful interference in a residential installation. This equipment generates, uses and can radiate radio frequency energy and, if not installed and used in accordance with the instructions, may cause harmful interference to radio communications. However, there is no guarantee that interference will not occur in a particular installation. If this equipment does cause harmful interference to radio or television reception, which can be determined by turning the equipment off and on, the user is encouraged to try to correct the interference by one or more of the following measures:

- Reorient or relocate the receiving antenna.
- Increase the separation between the equipment and receiver.
- Connect the equipment into an outlet on a circuit different from that to which the receiver is connected.
- Consult the dealer or an experienced radio/ TV technician for help.

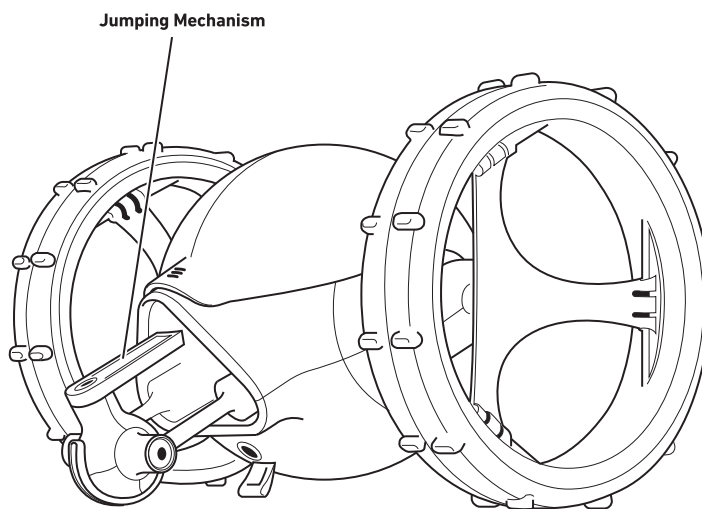
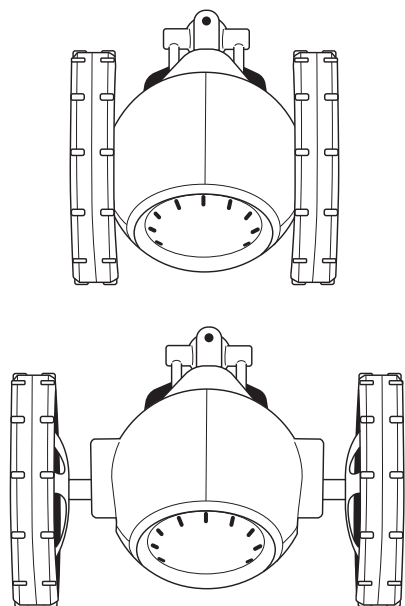
### KEEP THIS INSTRUCTION MANUAL AS IT CONTAINS IMPORTANT INFORMATION FOR FUTURE REFERENCE.

Due to continuous product improvements, the picture on the manual may differ slightly from the actual product.





2 Modes (insert comment)



## USAGE

- Turn the vehicle ON by pressing the button under the vehicle.
- Turn the remote ON by pressing the power button, it will automatically pair to the vehicle.
- Press the Joystick and the front remote buttons to navigate.
- Make sure there are no obstacles within a 3-foot range (above or around the vehicle) then press the rear Jump Button to make the car jump.

Model Number: YR201907