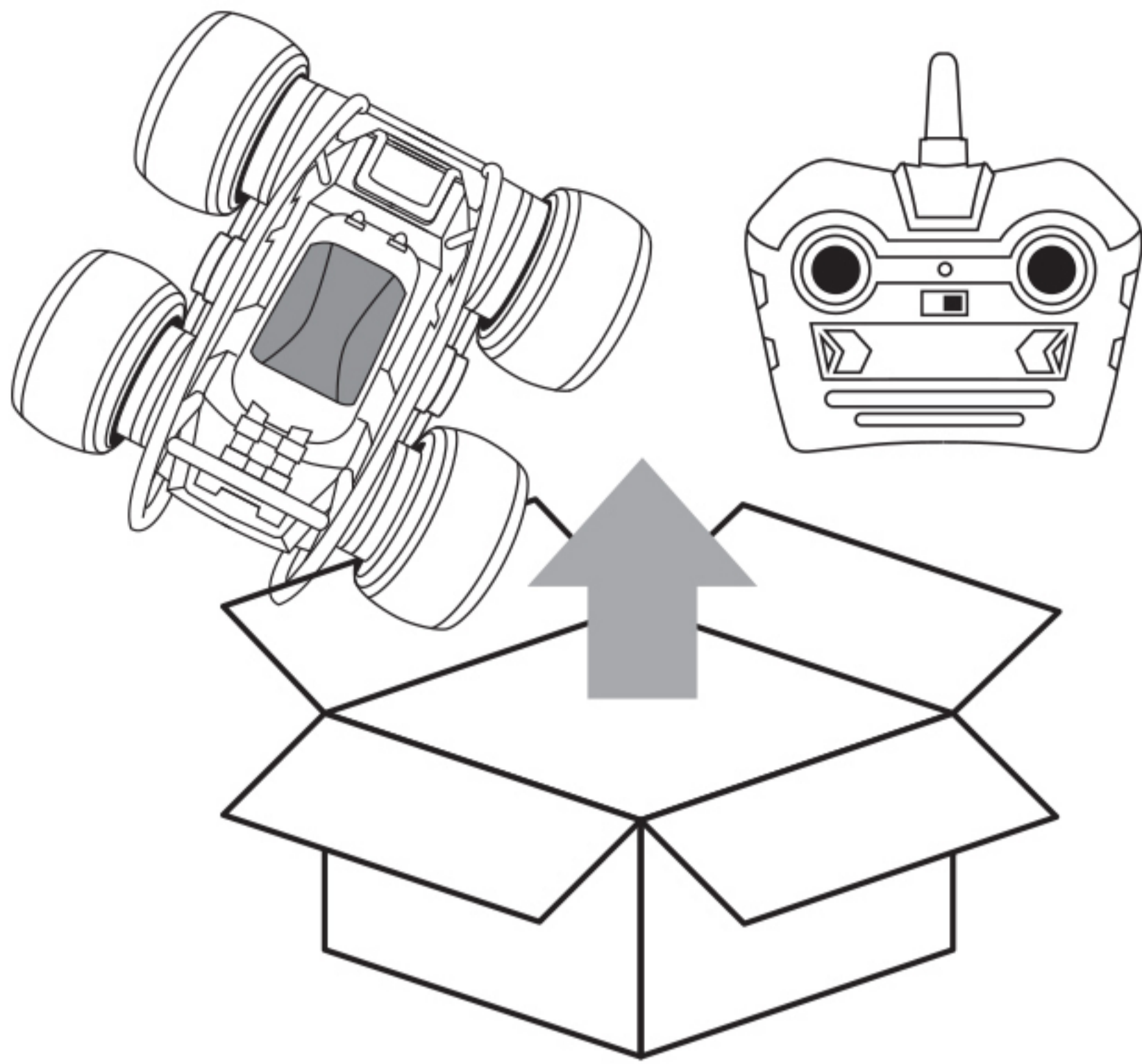


# ORBIT TUMBLER

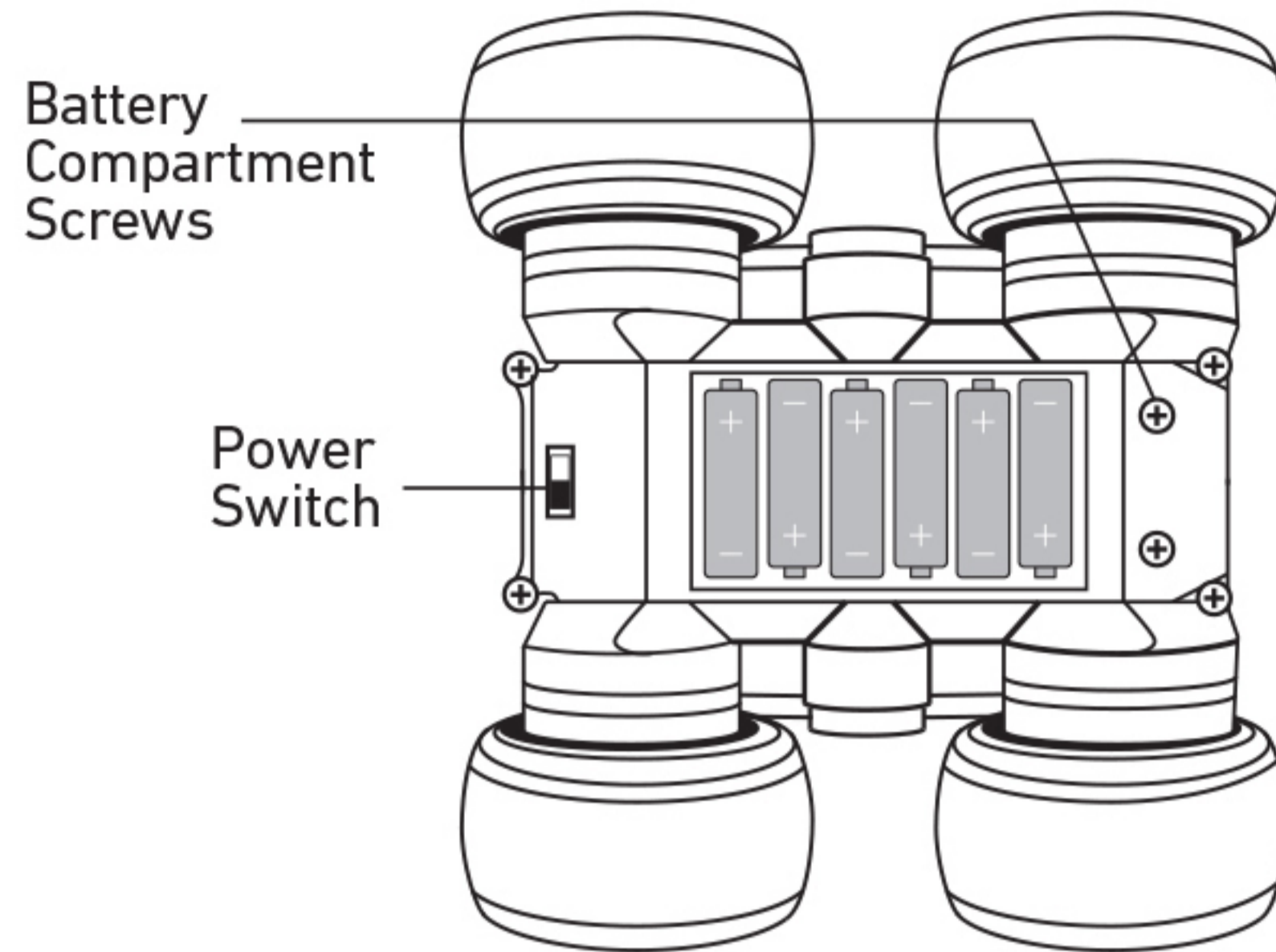
6+

## OPERATING INSTRUCTIONS

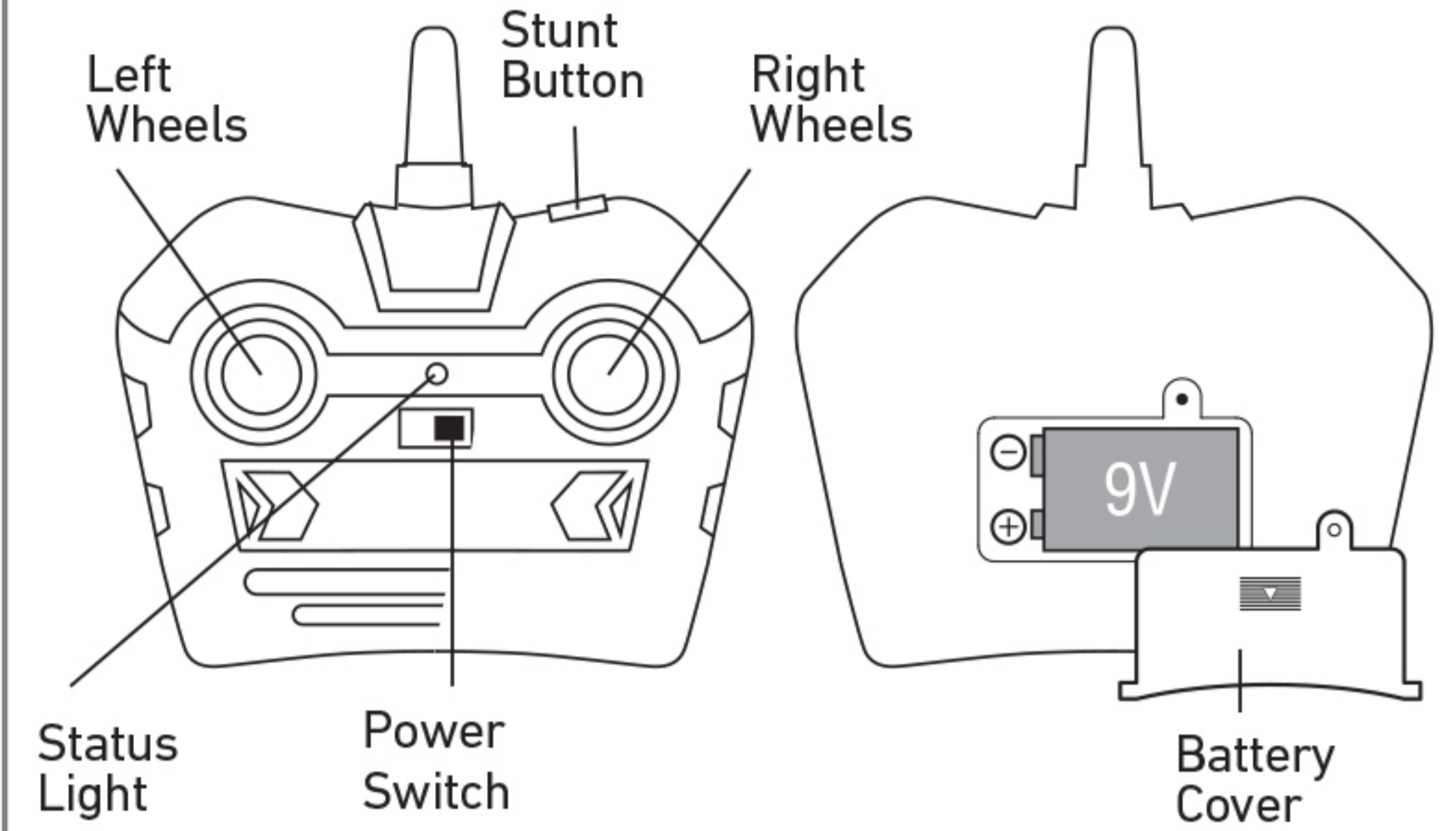
Carefully remove items from package.



The car requires six "AA" 1.5V alkaline batteries (not included). The battery compartment is on the underside of the vehicle. Loosen both screws using a phillips or cross screwdriver to remove the battery cover. Insert the "AA" batteries according to the diagram inside the battery tray. Replace battery cover and tighten screws.



The remote control requires one 9V alkaline battery (not included). Open the battery cover by depressing the small spring loaded pin using a tool while sliding the cover down in the direction of the arrow. Insert the battery according to the diagram inside the battery compartment, and replace the cover.

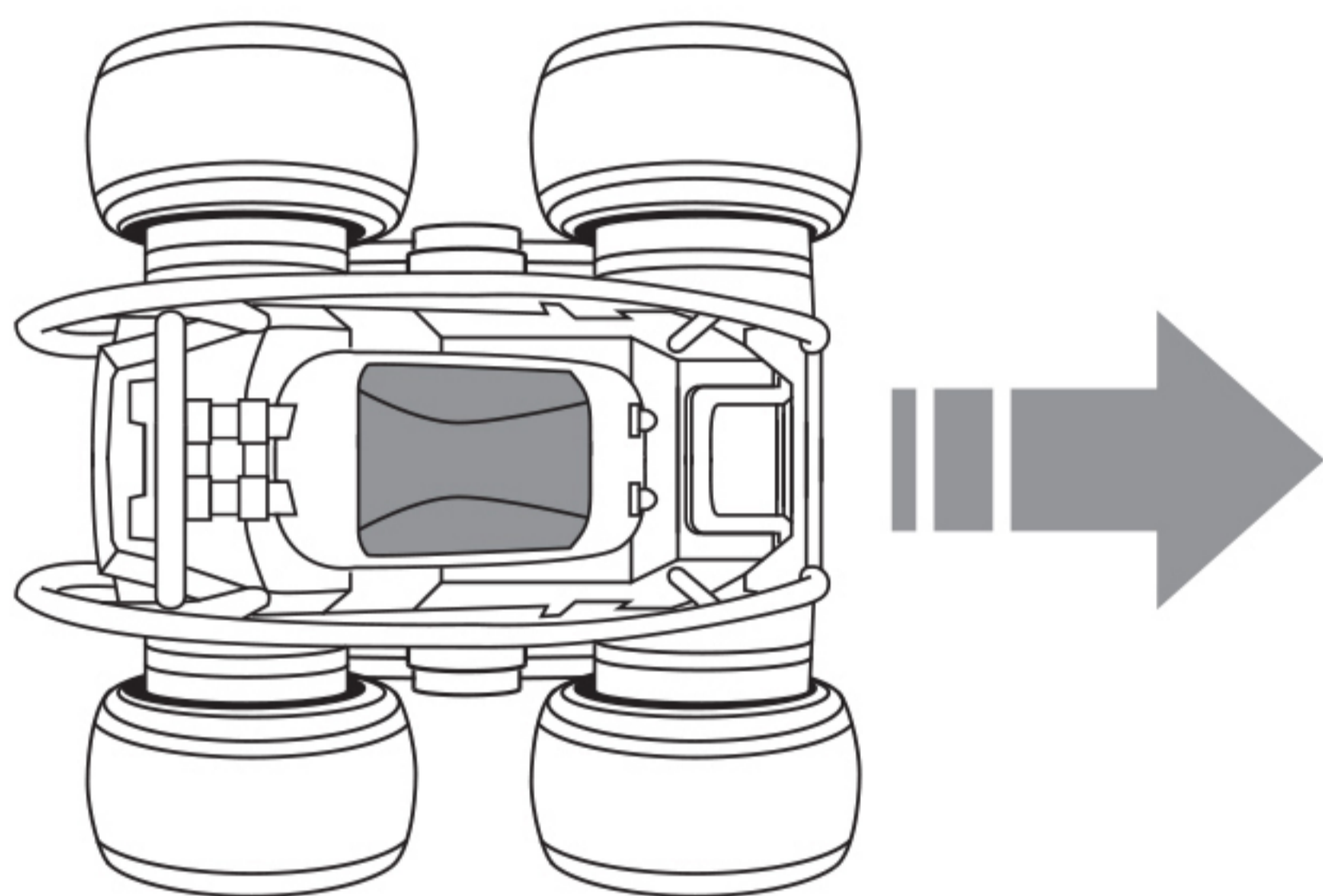


### Pairing:

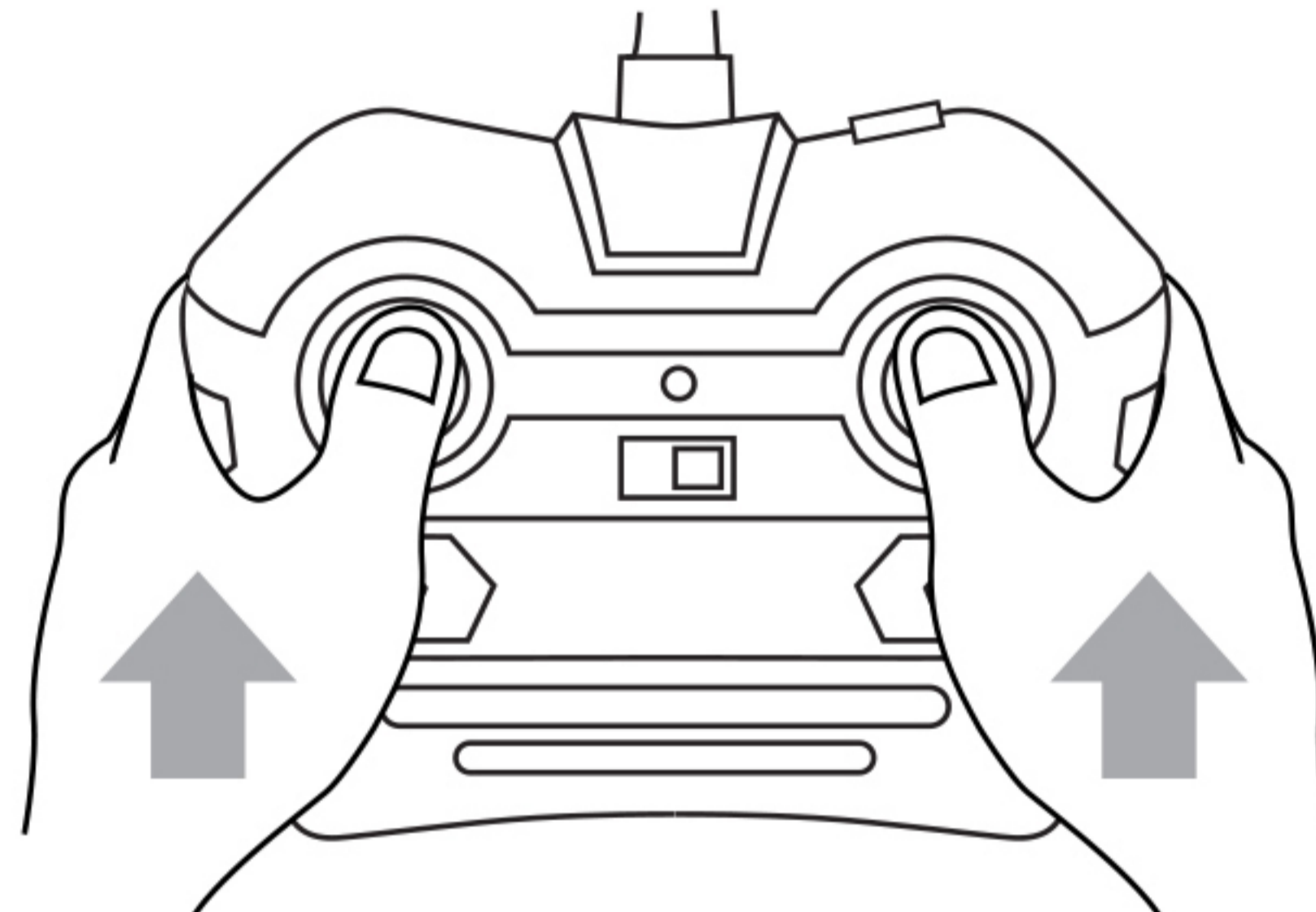
The Orbit Tumbler and Remote must be paired before driving.

1. Turn on remote – its status light will flash.
  2. Turn on Orbit Tumbler – its lights will flash rapidly.
  3. The lights on the orbit tumbler will be off and the light on remote will be illuminated when they are paired.
- If you have more than one vehicle and remote, you must pair one first, and then you may pair others.

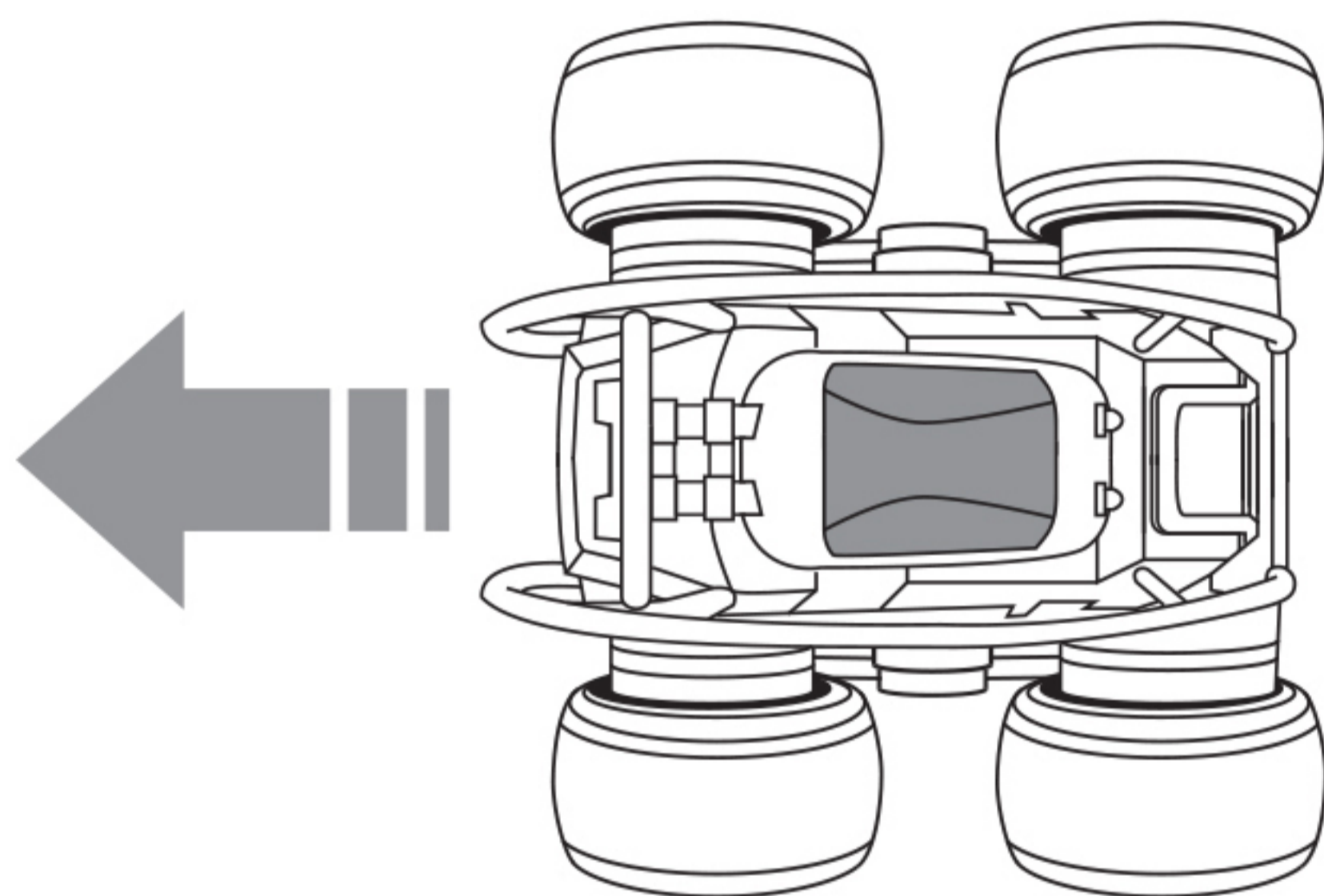
### Forward



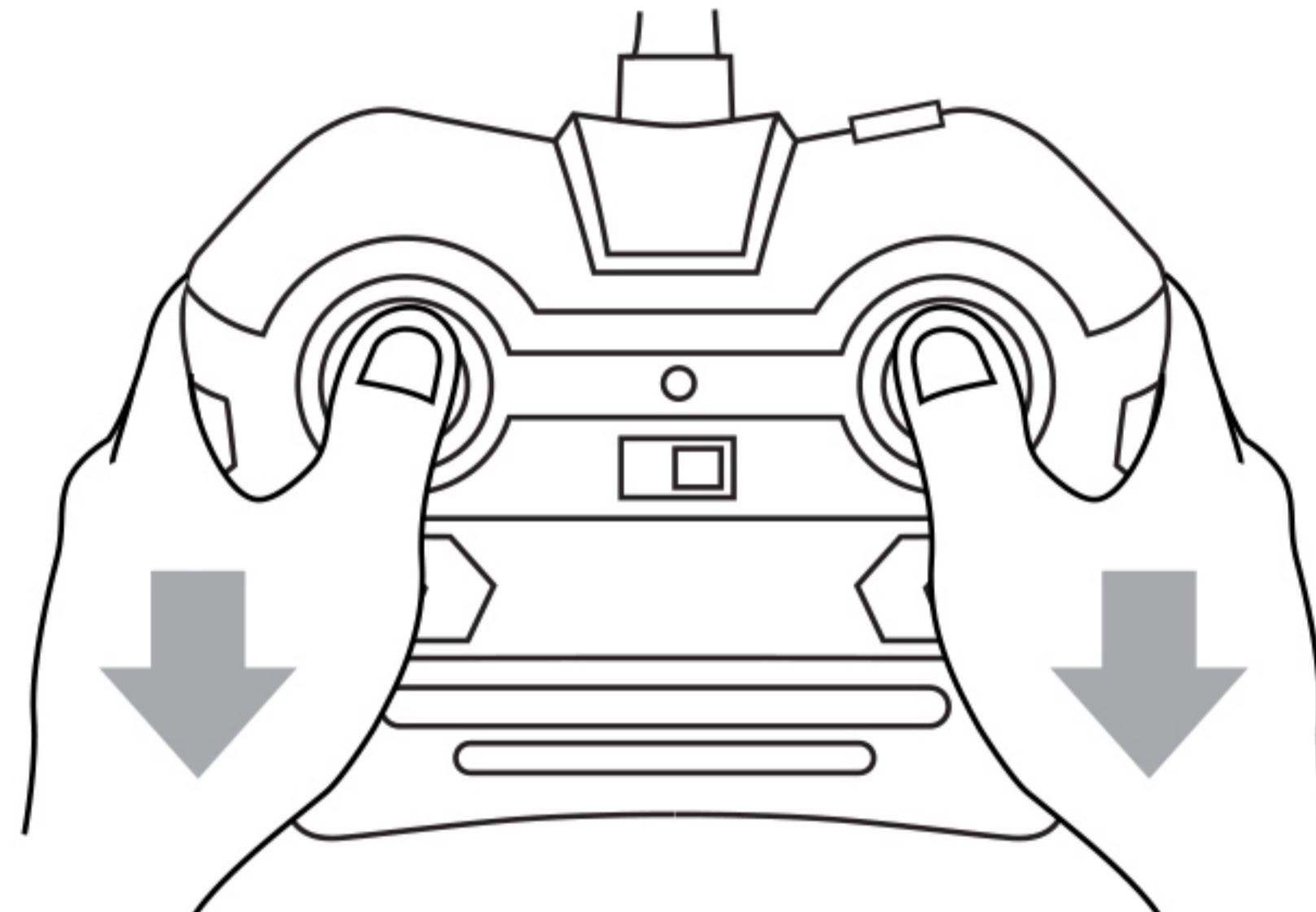
\*Press and Hold



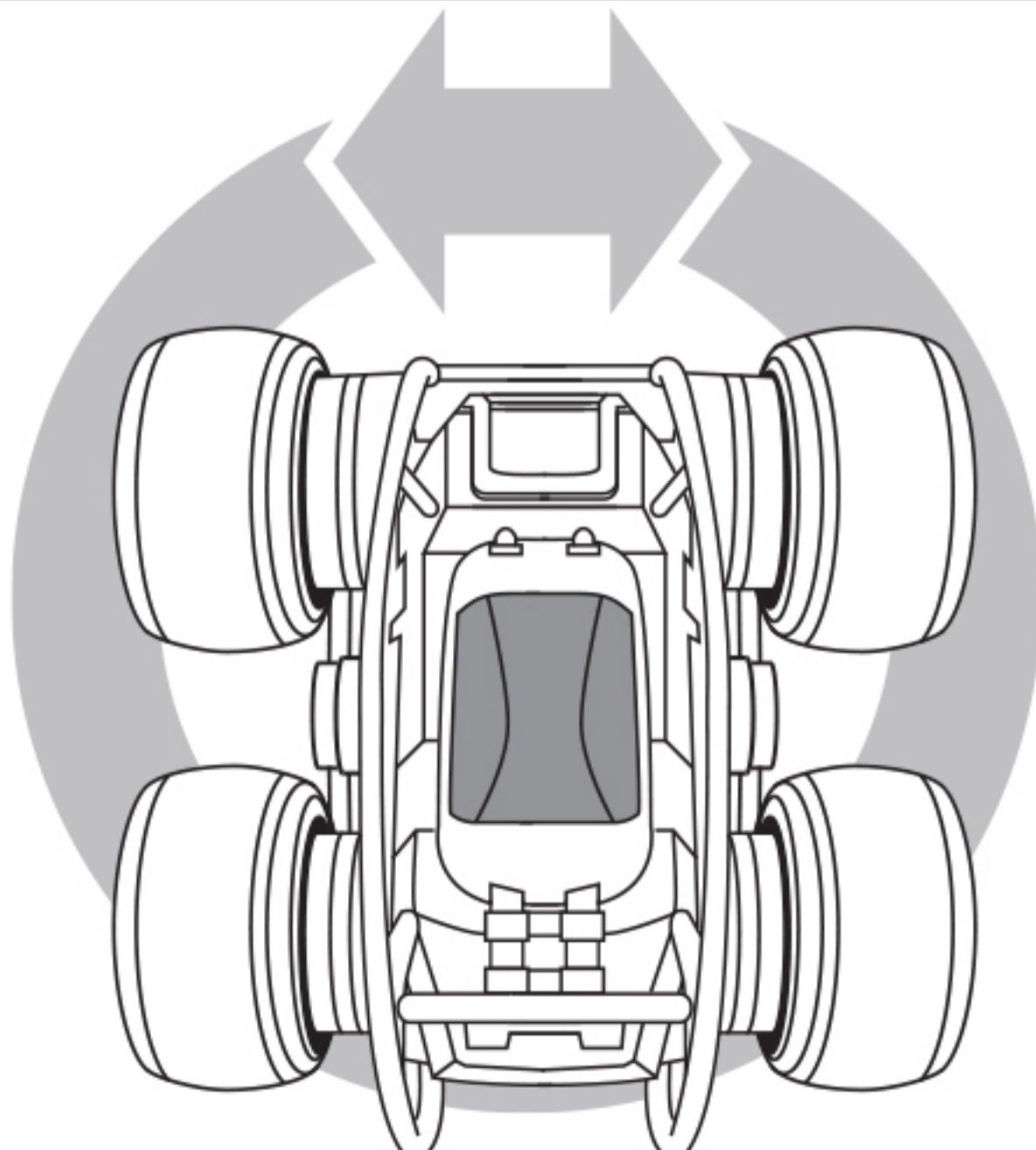
### Reverse



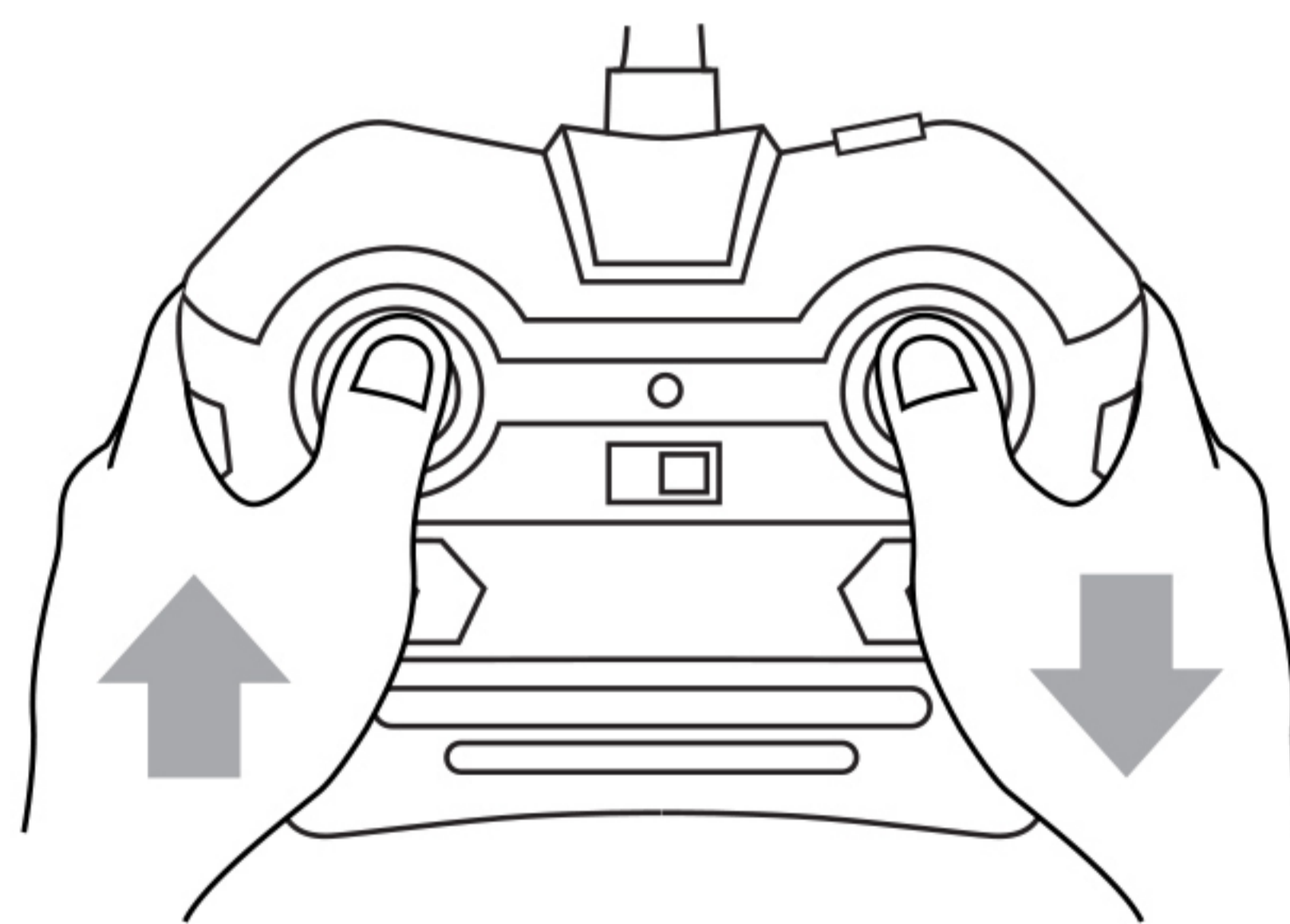
\*Press and Hold



### Spinning Action

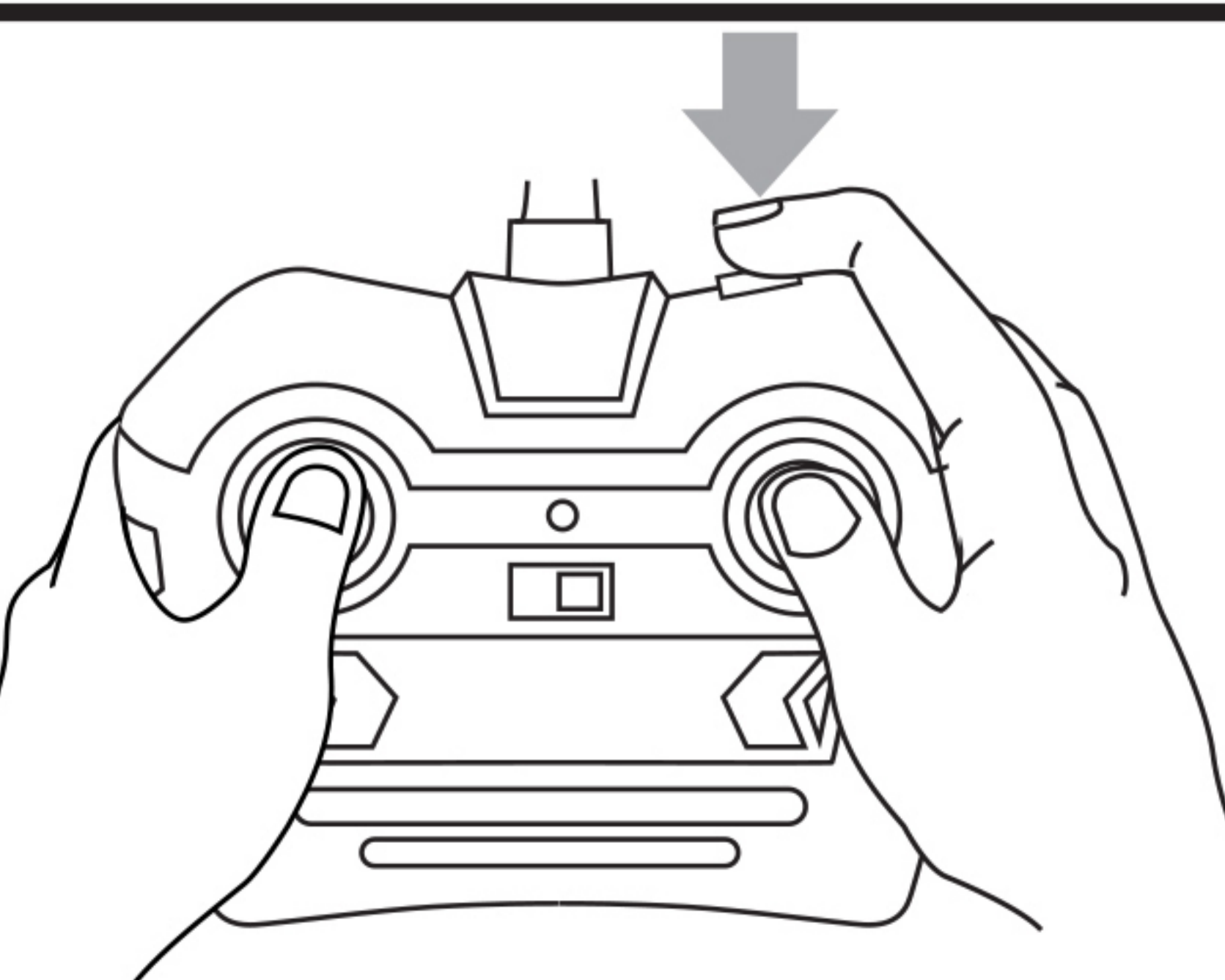
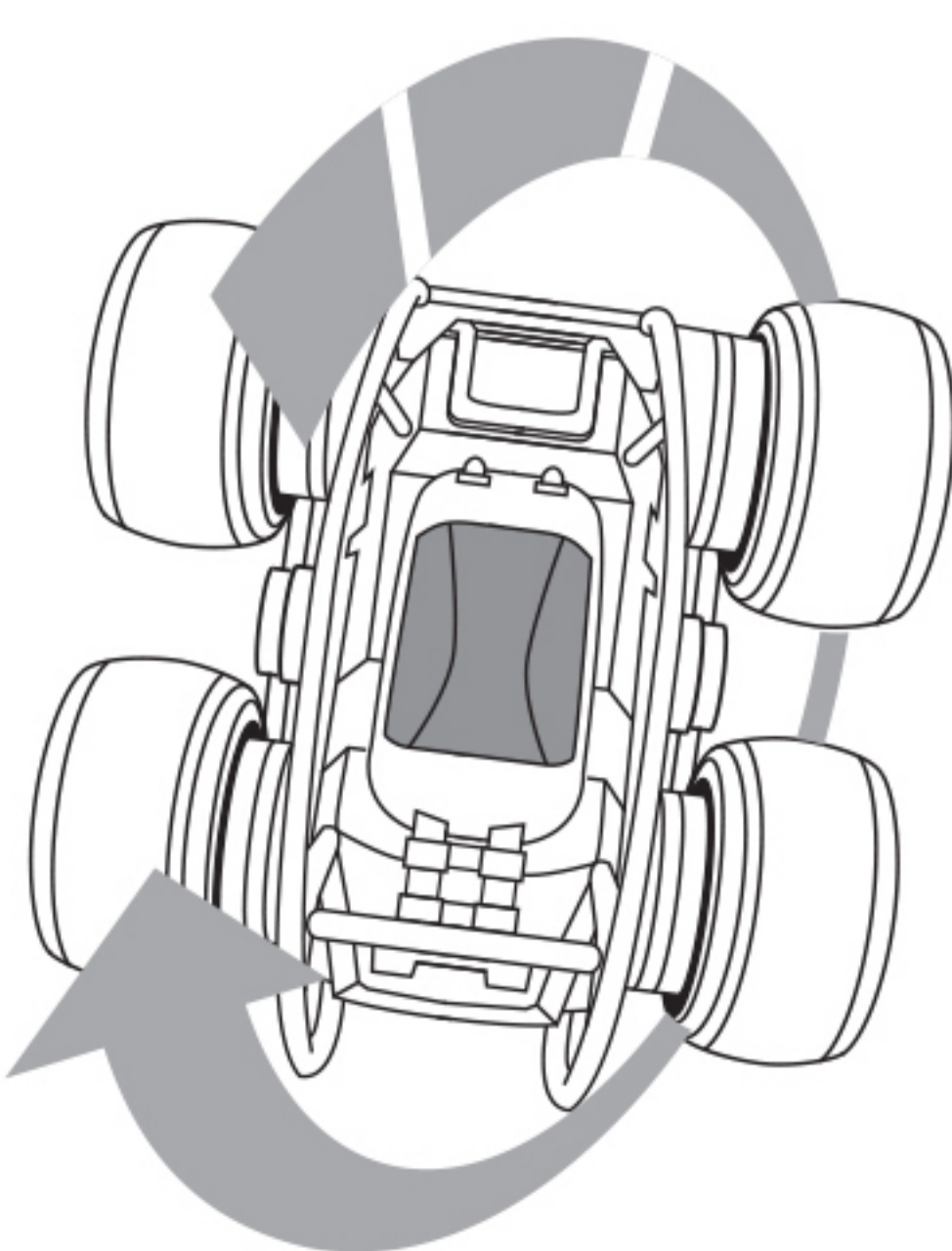


\*Press and Hold



### Tumbling

When the vehicle is moving forward or backward and push the stunt button, it will cause it to flip over.



### SAFETY PRECAUTIONS

- Avoid water when operating.
- Do not submerge trike or controller in water.
- Do not use people or animals as obstacles.
- Do not run car into furniture objects or hard surfaces as this will cause damage to both the objects and trike.
- Keep fingers, hair and loose clothing away from the tires, gears and motor while car is switched to "ON".
- Do not leave car or remote control near sources of heat or under direct sunlight for long periods of time.
- Remove all batteries when not in use to avoid accidental operation.
- Adult supervision is recommended when operating trike.
- Thoroughly inspect products before every use. If the product appears worn, frayed/splintered, cracked, or broken in any manner, discontinue use and discard immediately.

### BATTERY WARNING:

- Do not mix old and new batteries.
- Do not mix alkaline, standard (carbon-zinc), or rechargeable batteries.
- Alkaline batteries are recommended. Use only the specified voltage.
- Insert batteries using the correct polarity. Always use, replace, and recharge (if applicable) batteries under adult supervision.
- Do not charge with non-rechargeable batteries.
- Do not short-circuit the battery supply terminals.
- Do not dispose of batteries in a fire, batteries may explode or leak.
- Remove batteries before storing.
- Recycle or dispose of batteries according to federal, state, and local laws.
- Keep these instructions for future reference.

This device complies with Part 15 of the FCC Rules. Operation is subject to the following two conditions: (1) this device may not cause harmful interference, and (2) this device must accept any interference received, including interference that may cause undesired operation.

**Warning:** Changes or modifications not expressly approved by the party responsible for compliance could void the user's authority to operate the equipment.

**NOTE:** This equipment has been tested and found to comply with the limits for a Class B digital device, pursuant to Part 15 of the FCC Rules. These limits are designed to provide reasonable protection against harmful interference in a residential installation. This equipment generates, uses and can radiate radio frequency energy and, if not installed and used in accordance with the instructions, may cause harmful interference to radio communications. However, there is no guarantee that interference will not occur in a particular installation. If this equipment does cause harmful interference to radio or television reception, which can be determined by turning the equipment off and on, the user is encouraged to try to correct the interference by one or more of the following measures:

- Reorient or relocate the receiving antenna.
- Increase the separation between the equipment and receiver.
- Connect the equipment into an outlet on a circuit different from that to which the receiver is connected.
- Consult the dealer or an experienced radio/TV technician for help.

**KEEP THIS INSTRUCTION MANUAL AS IT CONTAINS IMPORTANT INFORMATION FOR FUTURE REFERENCE.**

Due to continuous product improvements, the pictures on this manual may differ slightly from the actual product.

The artwork and design of this manual are protected by US copyright law and may not be reproduced, distributed, displaced, published or used for any purpose without prior written permission. Altering, removing or reproducing any of the trademark or copyright notices on this package is not permitted.

Sharper Image® name and logo are registered trademarks. Distributed by and © 2019 MerchSource, LLC. Irvine, CA 92618. All rights reserved.

Model Number: YR201906

Printed in China

**FOR TECHNICAL SUPPORT,  
PLEASE CALL**

**1-800-374-2744**

**Note:** for best operation, use vehicle on hard rough surface.