

2.4G Remote Control runner tumbler car

ATTENTION PARENTS:

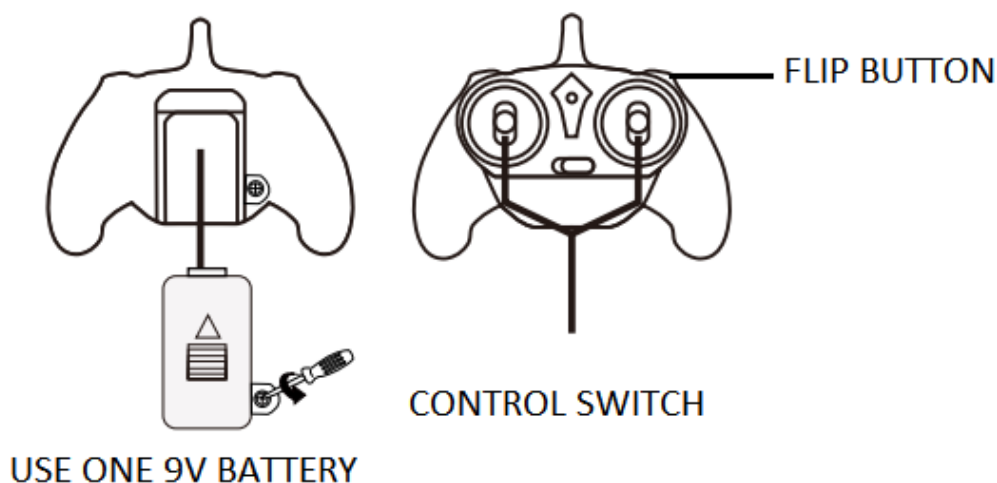
It is recommended that this toy and all accessories be periodically examined for potential hazards and that any potentially hazardous parts be repaired or replaced.

The use of the product may be disrupted by electromagnetic interference. If this is the case, switch the device off and on again following the instructions in the user manual. If the functions are not reset, move to another location.

During use, the internal power in the electric circuit can get quite high (for example during a 360 spin). In such a case safety circuit will shut down the vehicle for approximately 1 minute. During this period the vehicle will not respond to signals from the transmitter. This is not a defect but a safety measure to protect the electronic circuits. After this period, the vehicle will resume normal operation.

INSTALLING BATTERY IN THE TRANSMITTER

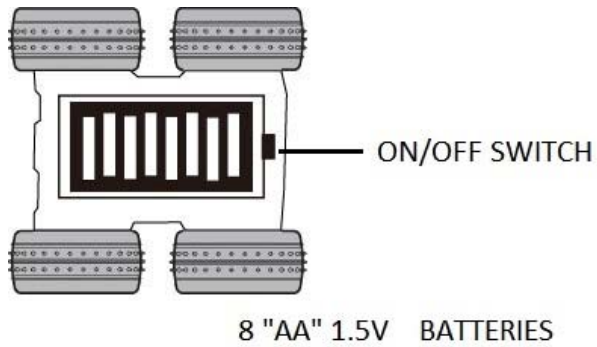
- The operation requires 1 × 9V/6LR61 battery for the transmitter.
- Unscrew the battery compartment cover on the transmitter.
- Insert the 9V battery following the correct polarities. (+ / -).
- Screw the battery compartment cover.



BATTERY AND CHARGING INSTRUCTION

- The operation requires 8 X AA 1.5V Alkaline battery
- Fully remove the item from package

- Unscrew the battery compartment cover on the vehicle and insert batteries noting the correct polarity (+/-).
- Re-screw the battery compartment cover



BATTERY WARNING

- Insert batteries using the correct polarity
- Do not short-circuit the supply terminal
- Remove batteries when not in use
- Recycle or dispose of exhausted batteries according to federal
- Do not dispose of batteries in a fire they may leak or explode
- Only use manufacturer specified batteries, charger and /or adapter
- Always use, replace and recharge (if applicable) batteries under adult supervision
- Non-rechargeable batteries are not to be recharged

SAFETY PRECAUTIONS:

- Do not operate during thunderstorms or rain
- Avoid water, sand and snow when operating your vehicle

- Do not submerge vehicle or controller in water
- Never operate your vehicle on the street or highway
- Adult supervision is recommended when operating this vehicle
- Remove all batteries when not in use to avoid accident operation.
- Never operate your vehicle in a confined or crowded area and do not use people or animals as obstacles.
- Do not run your vehicle into furniture, objects or hard surfaces, as this will cause damage to both the objects and the vehicle.
- Keep fingers, hair and loose clothing away from the tires, gears and motor while the vehicle is switched to "ON".
- Do not leave vehicle or transmitter near sources of heat or under direct sunlight for long periods of time.
- Do not leave vehicle or transmitter outside overnight.
- Dampness is harmful to interior components.

FCC RULES

This device complies with Part 15 of the FCC Rules.

Operation is subject to the following two conditions:

(1) This device may not cause harmful interference.

(2) This device must accept any interference received, including interference that may cause undesired operation.

Warning: changes or modification to this until not expressly approved by the party responsible for compliance could void the user's authority to operate the equipment.

NOTE: This equipment has been tested and found to comply with the limits for a Class B digital device, pursuant to Part 15 of the FCC Rules.

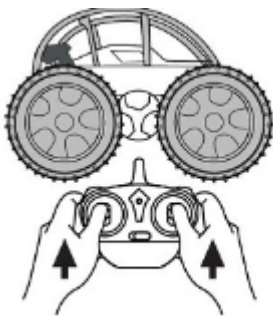
These limits are designed to provide reasonable protection against harmful interference in a residential installation. This equipment generates uses and radiates radio frequency energy and, if not installed and used in accordance with the instructions, may cause harmful interference to radio communications.

However, there is no guarantee that interference will not occur in a particular installation. If this equipment does cause harmful interference to radio or television reception, which can be determined by returning the equipment off and on, the user is encouraged to try to correct the interference by one or more of following measures:

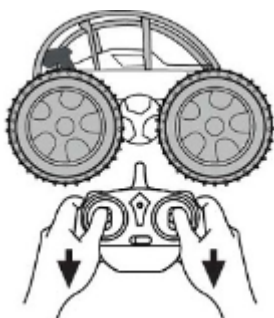
- Reorient or relocate the receiving antenna.
- Increase the separation between the equipment and receiver.
- Connect the equipment into an outlet on a circuit different from that to which the receiver is connected.
- Consult the dealer or an experienced radio/TV technician for help.

KEEP THIS PACKAGE FOR REFERENCE AS IT CONTAINS IMPORTANT INFORMATION.

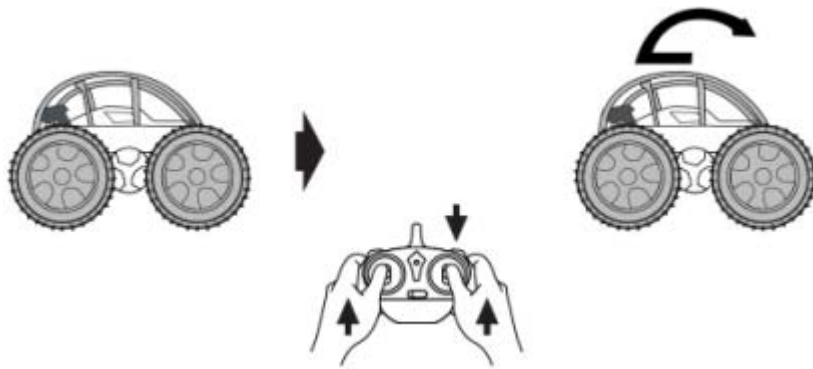
PERFORMING STUNTS



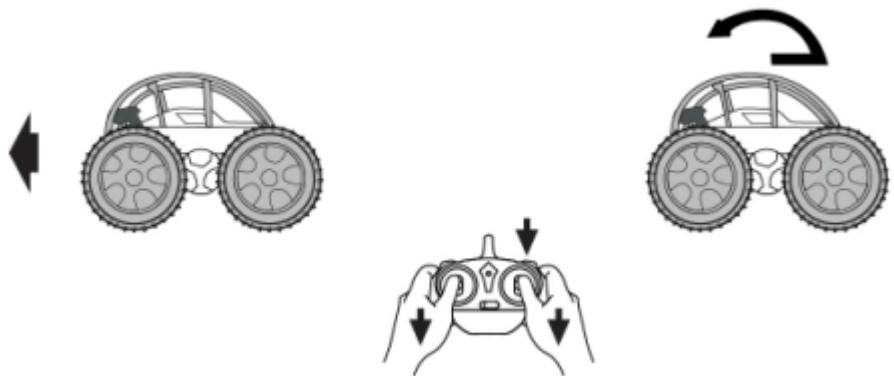
Push both joystick forward: Forward



Pull both joystick backward: Reverse



Push both joysticks forward and simultaneously push the flip button: Forward 360 Flip



Pull both joystick backward and push the flip button : Backward 360 Flip



Direct both joysticks in opposite directions :Spin (clockwise/anticlockwise)