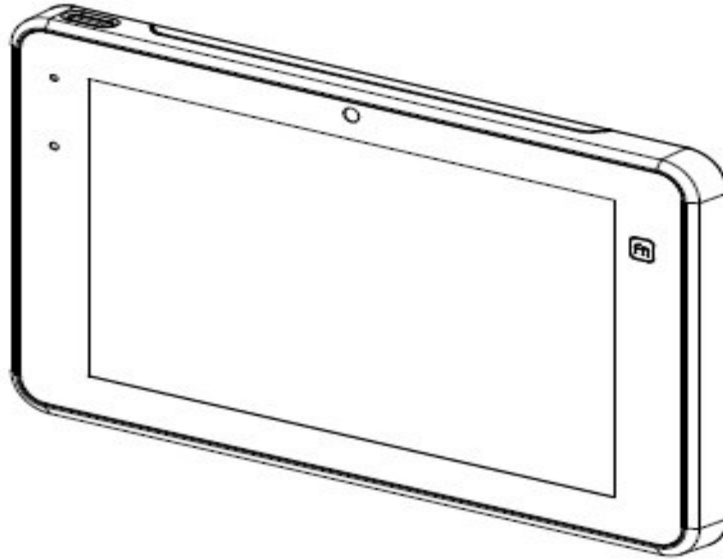


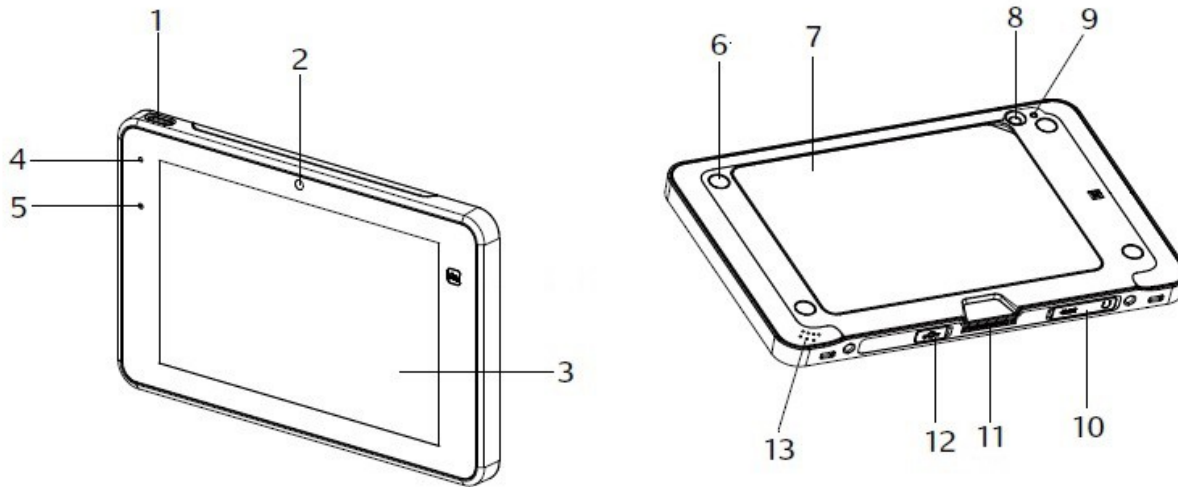
# POS 274 Series

---

## QUICK START GUIDE



## Features



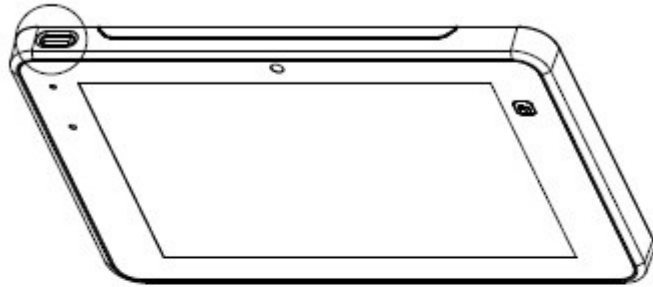
1. Power On/Off
2. 2MP Webcam
3. Touch screen
4. Ambient light sensor
5. Battery status indicator
6. Screw with rubber pad (x4)

7. Battery cover
8. 5MP AF camera
9. LED flash
10. Access cover for audio jack and USB port
11. Docking connector
12. DC-in
13. Speaker

\*Smart card reader and hand belt are optional items; will be installed to system prior to shipping

## Getting Started

### 1. Power-on / Power-off



Push the power button to turn on the system and hold 4 seconds to turn off the system.

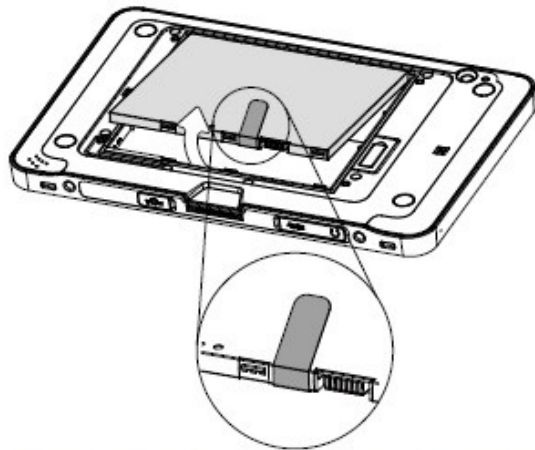
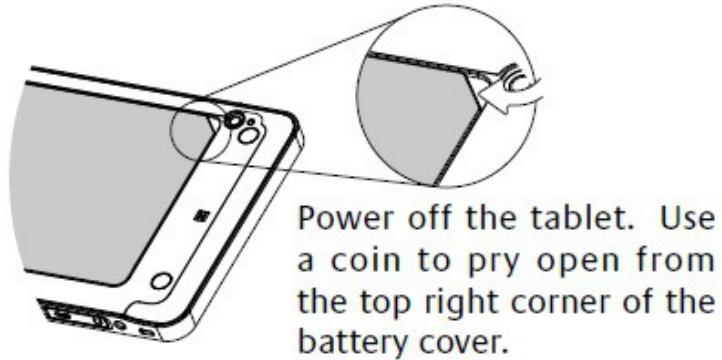
**Note:** For best touch performance, remove the protective plastic overlay from the LCD screen by peeling it away from one of the corners. Be sure to use a soft pointing device or finger tip to avoid scratching the screen during normal use.

### 2. Charging the Battery



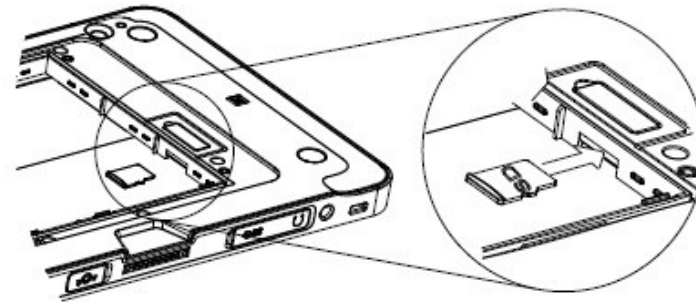
To charge the battery, pry open the rubber cover protecting the DC-in port and plug in the AC adaptor cable supplied with the tablet.

### 3. Replacing the Battery



A plastic tab is attached to the battery module. For easier removal pull the plastic tab upwards to release the battery from the unit.

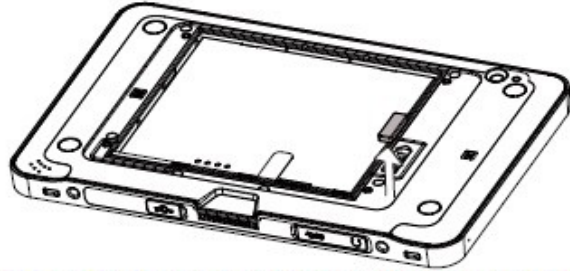
### 4. Installing a microSD™ Card



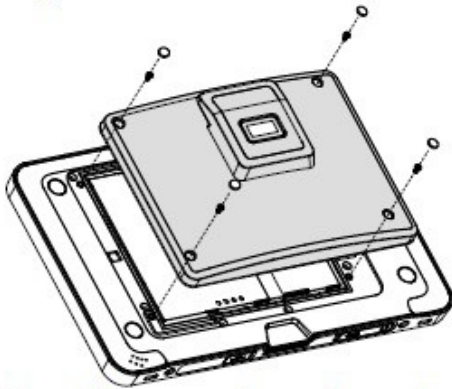
Power down the system first and then remove the battery module. Find the microSD™ card slot located at the bottom right corner of the system.

- **Inserting the microSD™ card:** Insert the microSD™ card into the storage card slot with its gold contacts facing down and push it until it clicks into place.
- **Removing the microSD™ card:** Push the card into eject it. Press and hold the card tab, and then slide the card out from the card slot.

## 5. Installing Smart Card Reader

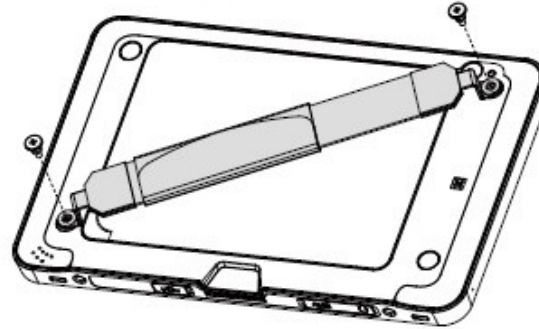


Pry open the battery cover first, and then remove the rubber cover securing the docking board.



Position the smart card reader over the system as shown and fasten with the screws(x4). Finally cover the rubber pads(x4) provided.

## 6. Attaching the Hand Belt



Align and attach the hand belt to the back side of the tablet and fasten the screws (x4) to secure it.



## **LED Indicator**

Power level is indicated by the battery status indicator LED on the front of the tablet.

**GREEN** – Battery fully charged  
(Tablet is plugged in or placed in dock)

**ORANGE** – Battery charging  
(Tablet is plugged in or placed in dock)

**RED/Flashing** – Battery is low

**RED** – Battery nearly depleted

## **Support Information**

**More Information on the POS 274 Series**  
See technical manual in the Driver Bank

**Setting up and using the POS 274 Series**  
See technical manual in the Driver Bank

## **Safety Information**

### **⚠ Battery Caution**

Risk of explosion if battery is replaced by an incorrectly type. Dispose of used battery according to the local disposal instructions.

### **⚠ Safety**

Regulatory Information Caution: Only use approved and UL Listed accessories, battery packs and battery chargers. Do NOT attempt to charge damp/wet mobile computers or batteries. All components must be dry before connecting to an external power source.

### **Warning for Use of Wireless Devices**

Please observe all warning notices with regard to the usage of wireless devices.

### **Waste Electrical and Electronic Equipment (WEEE)**



English: For EU Customers: All products at the end of their life must be returned to the reseller for recycling.

**§ 15.19**

This device complies with part 15 of the FCC Rules. Operation is subject to the following two conditions: (1) This device may not cause harmful interference, and (2) this device must accept any interference received, including interference that may cause undesired operation.

**§ 15.21.**

Changes or modifications not expressly approved by the party responsible for compliance could void the user's authority to operate the equipment.

**§ 15.105.**

**Class B**

This equipment has been tested and found to comply with the limits for a Class B digital device, pursuant to part 15 of the FCC Rules. These limits are designed to provide reasonable protection against harmful interference in a residential installation. This equipment generates, uses and can radiate radio frequency energy and, if not installed and used in accordance with the instructions, may cause harmful interference to radio communications. However, there is no guarantee that interference will not occur in a particular installation. If this equipment does cause harmful interference to radio or television reception, which can be determined by turning the equipment off and on, the user is encouraged to try to correct the interference by one or more of the following measures:

- Reorient or relocate the receiving antenna.
- Increase the separation between the equipment and receiver.
- Connect the equipment into an outlet on a circuit different from that to which the receiver is connected.
- Consult the dealer or an experienced radio/TV technician for help.



# Contact Information

FLYTECH TECHNOLOGY CO.,LTD.

Address : 271 East Brokaw Road, San Jose, CA 95112, U.S.A.

WEBSITE: [http://www.flytech.com/contact\\_location.php](http://www.flytech.com/contact_location.php)

P/N

Version:1.0