

## System Check\_B2450

**DUT: Dipole 2450 MHz D2450V2; SN: 973**

Communication System: UID 0, CW; Frequency: 2450 MHz; Duty Cycle: 1:1

Medium parameters used:  $f = 2450$  MHz;  $\sigma = 1.985$  S/m;  $\epsilon_r = 51.431$ ;  $\rho = 1000$  kg/m<sup>3</sup>

Ambient Temperature : 22.4 °C; Liquid Temperature : 22.1 °C

DASY Configuration:

- Probe: EX3DV4 - SN7369; ConvF(7.19, 7.19, 7.19); Calibrated: 8/18/2015;
- Sensor-Surface: 2mm (Mechanical Surface Detection),  $z = 1.0, 31.0$
- Electronics: DAE4 Sn1486; Calibrated: 8/27/2015
- Phantom: Oval Flat Phantom ELI 5.0; Type: QD OVA 002 A ; Serial: TP-1240
- DASY52 52.8.8(1222); SEMCAD X 14.6.10(7331)

**Area Scan (9x9x1):** Measurement grid:  $dx=12$ mm,  $dy=12$ mm

Maximum value of SAR (measured) = 19.9 W/kg

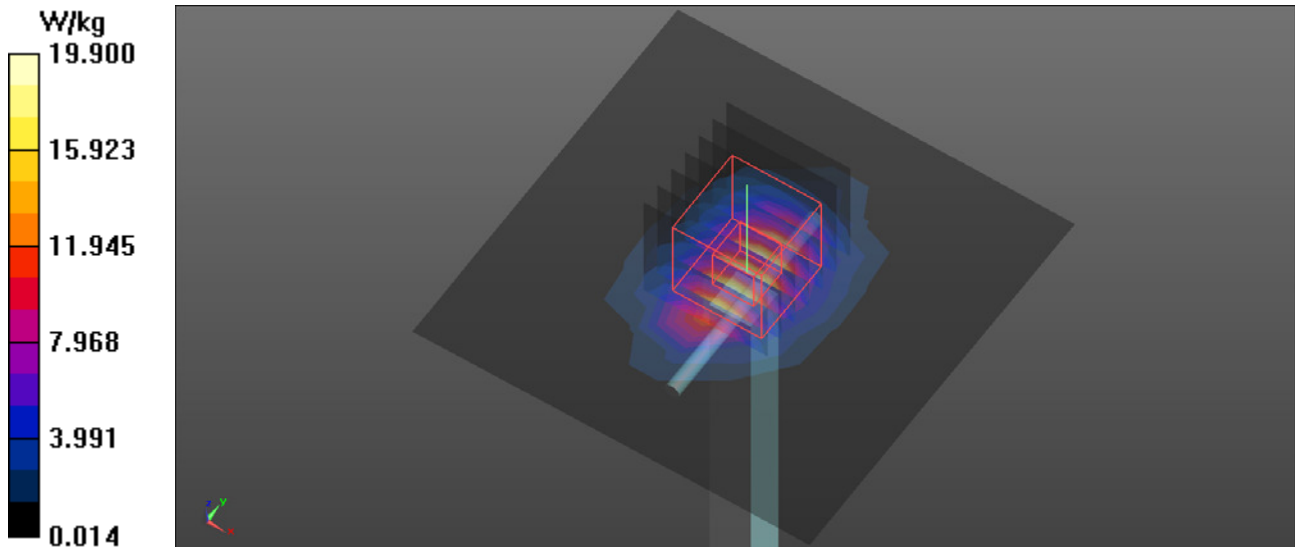
**Zoom Scan (7x7x7)/Cube 0:** Measurement grid:  $dx=5$ mm,  $dy=5$ mm,  $dz=5$ mm

Reference Value = 101.0 V/m; Power Drift = -0.04 dB

Peak SAR (extrapolated) = 27.6 W/kg

**SAR(1 g) = 13 W/kg; SAR(10 g) = 5.92 W/kg**

Maximum value of SAR (measured) = 20.1 W/kg



## System Check\_B5300

### DUT: Dipole D5GHzV2; SN: 1221

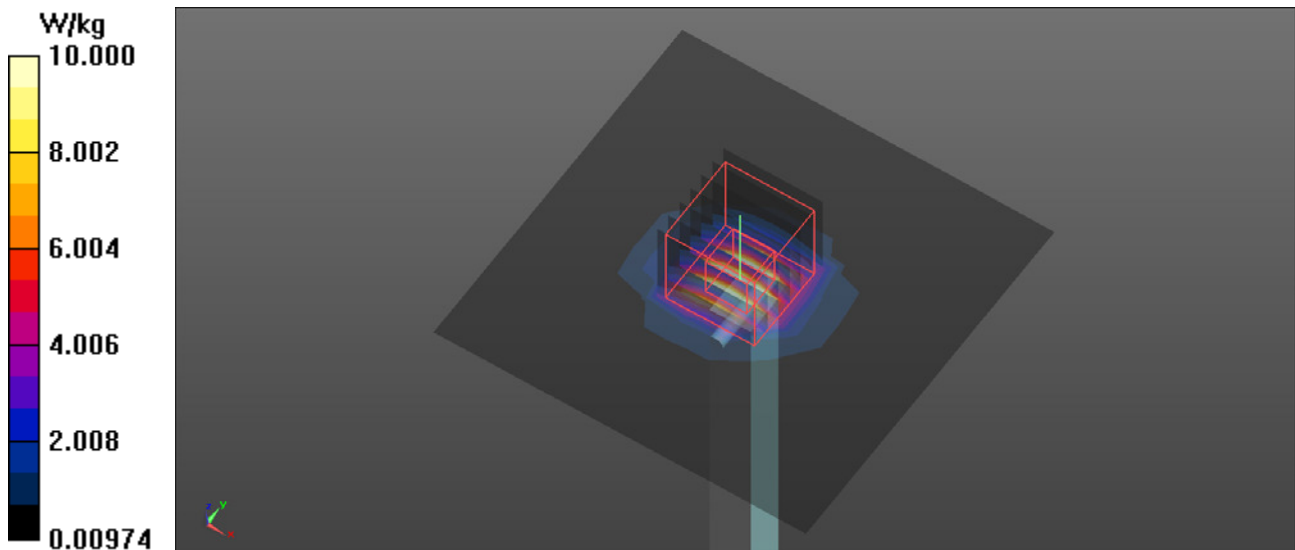
Communication System: UID 0, CW (0); Frequency: 5300 MHz; Duty Cycle: 1:1  
Medium parameters used:  $f = 5300$  MHz;  $\sigma = 5.484$  S/m;  $\epsilon_r = 47.547$ ;  $\rho = 1000$  kg/m<sup>3</sup>  
Ambient Temperature : 22.3 °C; Liquid Temperature : 22.1 °C

#### DASY Configuration:

- Probe: EX3DV4 - SN7369; ConvF(4.38, 4.38, 4.38); Calibrated: 8/18/2015;
- Sensor-Surface: 2mm (Mechanical Surface Detection),  $z = 1.0, 12.0$
- Electronics: DAE4 Sn1486; Calibrated: 8/27/2015
- Phantom: Oval Flat Phantom ELI 5.0; Type: QD OVA 002 A ; Serial: TP-1240
- DASY52 52.8.8(1222); SEMCAD X 14.6.10(7331)

**Area Scan (10x10x1):** Measurement grid:  $dx=10$ mm,  $dy=10$ mm  
Maximum value of SAR (measured) = 10.0 W/kg

**Zoom Scan (7x7x12)/Cube 0:** Measurement grid:  $dx=4$ mm,  $dy=4$ mm,  $dz=2$ mm  
Reference Value = 58.83 V/m; Power Drift = 0.03 dB  
Peak SAR (extrapolated) = 30.5 W/kg  
**SAR(1 g) = 7.63 W/kg; SAR(10 g) = 2.17 W/kg**  
Maximum value of SAR (measured) = 15.8 W/kg



## System Check\_B5600

**DUT: Dipole D5GHzV2; SN: 1221**

Communication System: UID 0, CW (0); Frequency: 5600 MHz; Duty Cycle: 1:1  
Medium parameters used:  $f = 5600$  MHz;  $\sigma = 5.922$  S/m;  $\epsilon_r = 47.005$ ;  $\rho = 1000$  kg/m<sup>3</sup>  
Ambient Temperature : 22.4 °C; Liquid Temperature : 22.1 °C

DASY Configuration:

- Probe: EX3DV4 - SN7369; ConvF(3.81, 3.81, 3.81); Calibrated: 8/18/2015;
- Sensor-Surface: 2mm (Mechanical Surface Detection),  $z = 1.0, 23.0$
- Electronics: DAE4 Sn1486; Calibrated: 8/27/2015
- Phantom: Oval Flat Phantom ELI 5.0; Type: QD OVA 002 A ; Serial: TP-1240
- DASY52 52.8.8(1222); SEMCAD X 14.6.10(7331)

**Area Scan (10x10x1):** Measurement grid:  $dx=10$ mm,  $dy=10$ mm  
Maximum value of SAR (measured) = 12.3 W/kg

**Zoom Scan (7x7x12)/Cube 0:** Measurement grid:  $dx=4$ mm,  $dy=4$ mm,  $dz=2$ mm  
Reference Value = 60.32 V/m; Power Drift = 0.10 dB  
Peak SAR (extrapolated) = 32.7 W/kg  
**SAR(1 g) = 8.44 W/kg; SAR(10 g) = 2.4 W/kg**  
Maximum value of SAR (measured) = 17.9 W/kg

