

User Manual

Version 1.0 August 2013

Bedside Terminal Hardware System



The information contained in this document is subject to change without notice. We make no warranty of any kind with regard to this material, including, but not limited to, the implied warranties of merchantability and fitness for a particular purpose. We shall not be liable for errors contained herein or for incidental or consequential damages in connection with the furnishing, performance, or use of this material.

This document contains proprietary information that is protected by copyright. All rights are reserved. No part of this document may be photocopied, reproduced or translated to another language without the prior written consent of the manufacturer.

TRADEMARK

Intel®, Pentium® and MMX are registered trademarks of Intel® Corporation. Microsoft® and Windows® are registered trademarks of Microsoft Corporation. Other trademarks mentioned herein are the property of their respective owners.

Safety

IMPORTANT SAFETY INSTRUCTIONS

1. To disconnect the machine from the electrical Power Supply, turn off the power switch and remove the power cord plug from the wall socket. The wall socket must be easily accessible and in close proximity to the machine.
2. Read these instructions carefully. Save these instructions for future reference.
3. Follow all warnings and instructions marked on the product.
4. Do not use this product near water.
5. Do not place this product on an unstable cart, stand, or table. The product may fall, causing serious damage to the product.
6. Slots and openings in the cabinet and the back or bottom are provided for ventilation; to ensure reliable operation of the product and to protect it from overheating. These openings must not be blocked or covered. The openings should never be blocked by placing the product on a bed, sofa, rug, or other similar surface. This product should never be placed near or over a radiator or heat register, or in a built-in installation unless proper ventilation is provided.
7. This product should be operated from the type of power indicated on the marking label. If you are not sure of the type of power available, consult your dealer or local power company.
8. Do not allow anything to rest on the power cord. Do not locate this product where persons will walk on the cord.
9. Never push objects of any kind into this product through cabinet slots as they may touch dangerous voltage points or short out parts that could result in a fire or electric shock. Never spill liquid of any kind on the product.



CE MARK

This device complies with the requirements of the EEC directive 2004/108/EC with regard to “Electromagnetic compatibility” and 2006/95/EC “Low Voltage Directive”



FCC

This device complies with part 15 of the FCC rules. Operation is subject to the following two conditions:

- (1) This device may not cause harmful interference.
- (2) This device must accept any interference received, including interference that may cause undesired operation

"Changes or modifications not expressly approved by the party responsible for compliance could void the user's authority to operate the equipment."



Class I equipment

This equipment has been tested and found to comply with the limits for a Class B digital device, pursuant to part 15 of the FCC Rules. These limits are designed to provide reasonable protection against harmful interference in a residential installation.

This equipment generates, uses and can radiate radio frequency energy and, if not installed and used in accordance with the instructions, may cause harmful interference to radio communications. However, there is no guarantee that interference will not occur in a particular installation. If this equipment does cause harmful interference to radio or television reception, which can be determined

by turning the equipment off and on, the user is encouraged to try to correct the interference by one or more of the following measures:

- Reorient or relocate the receiving antenna.
- Increase the separation between the equipment and receiver.
- Connect the equipment into an outlet on a circuit different from that to which the receiver is connected.
- Consult the dealer or an experienced radio/TV technician for help



Battery Caution

Risk of explosion if battery is replaced by an incorrectly type.

Dispose of used battery according to the local disposal instructions.

Indicating that replacement by inadequately trained personnel could result in a hazard (such as excessive temperatures, fire, or explosion)

Lithium battery: CR2032



Safety Caution

Note: To comply with IEC60950-1 Clause 2.5 (limited power sources, L.P.S) related legislation, peripherals shall be 4.7.3.2 "Materials for fire enclosure" compliant.

4.7.3.2 Materials for fire enclosures

For MOVABLE EQUIPMENT having a total mass not exceeding 18kg, the material of a FIRE ENCLOSURE, in the thinnest significant wall thickness used, shall be of V-1 CLASS MATERIAL or shall pass the test of Clause A.2.

For MOVABLE EQUIPMENT having a total mass exceeding 18kg and for all STATIONARY EQUIPMENT, the material of a FIRE ENCLOSURE, in the thinnest significant wall thickness used, shall be of 5VB CLASS MATERIAL or shall pass the test of Clause A.1

CAUTION SYMBOL IN CARTON

Transport and Storage Temperature: -20~60 degree C Transport and Storage Humidity: 30~93% RH Atmospheric Pressure Range: 700~1060 hPa

ATTENTION



Attention, consult ACCOMPANYING DOCUMENTS

External equipment intended for connection to signal input/output or other connectors, shall comply with relevant UL standards (e.g. UL 60950-1 for IT equipment and UL 60601-1 / IEC 60601-1 series for medical electrical equipment)."

Anyone who connects additional equipment to the signal input part or signal output part is configuring a medical system, and is therefore, responsible that the system complies with the requirements of the system standard IEC 60601-1



WARNING:

To avoid risk of electric shock, this equipment must only be connected to a supply mains with protective earth.



WARNING:

Do not modify this equipment without authorization of the manufacturer.



WARNING:

If an appliance coupler or separable plug is used as the disconnecting device, it shall

be readily identifiable and easily reached by the operator. For single-phase portable equipment, a plug on a cord of length not greater than 3m is considered to be easily reached.

LEGISLATION AND WEEE SYMBOL

2012/19/EU Waste Electrical and Electronic Equipment Directive on the treatment, collection, recycling and disposal of electric and electronic devices and their components.



The crossed dustbin symbol on the device means that it should not be disposed of with other household wastes at the end of its working life. Instead, the device should be taken to the waste collection centers for activation of the treatment, collection, recycling and disposal procedure.

To prevent possible harm to the environment or human health from uncontrolled waste disposal, please separate this from other types of wastes and recycle it responsibly to promote the sustainable reuse of material resources.

Household users should contact either the retailer where they purchased this product, or their local government office, for details of where and how they can take this item for environmentally safe recycling.

Business users should contact their supplier and check the terms and conditions of the purchase contract.

This product should not be mixed with other commercial wastes for disposal.

Power supply is specified as a part of ME EQUIPMENT



Please read the user manual

Revision History

Revision	Date	Description
V1.0	August, 2013	● Release

Table of Contents

1	Intended Use	1
2	Package Checklist	2
2-1	Standard Items	2
3	System View.....	3
3-1	Front View	3
3-2	Side View.....	4
3-3	Rear View	4
3-4	Bottom View	5
3-5	Dimension.....	5
4	System Assembly.....	6
4-1	SSD/HDD Replacement	6
5	Peripherals Installation	7
5-1	Phone module Installation.....	7
5-2	Stand Installation	8
6	Specification	9
7	Jumper Setting	12
7-1	C73 Motherboard	12
7-2	Connectors & Functions	13
7-3	Jumper Setting.....	14


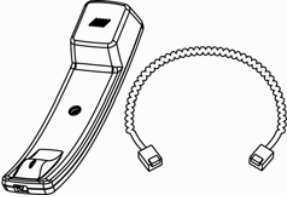
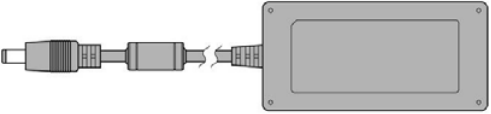
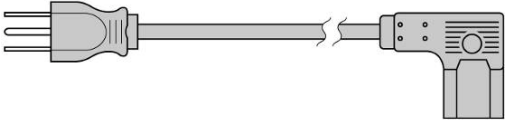
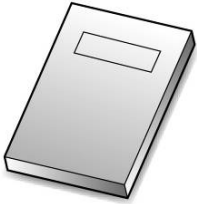

1 Intended Use

According to the Instructions for Use (IFU) of the manufacturer, the Bedside Terminal has the following intended use:

The Bedside Terminal Hardware System is a computing device capable of storing, retrieving and sending data electronically. This Bedside Terminal Hardware System, including its user interface, battery, PCB and power supply, is intended to be fixed to a stand in medical care environment.

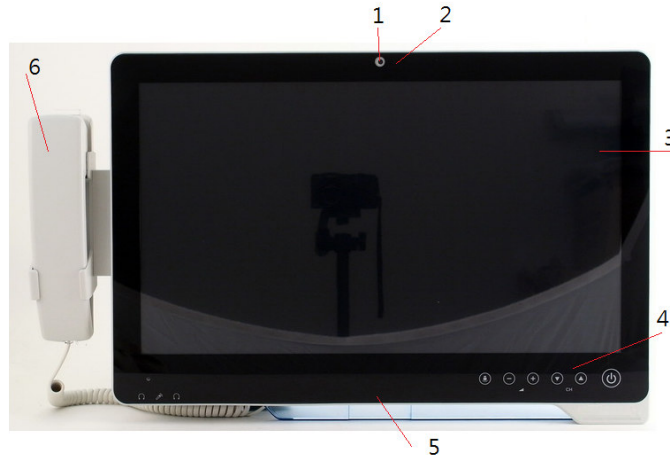
2 Package Checklist


2-1 Standard Items

	
a. System	b. Phone module
	
c. Power adapter	d. Power Cable
	
e. Manual	f. Stand

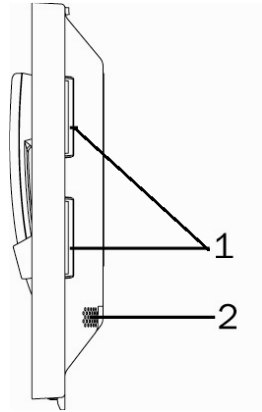
3 System View

3-1 Front View



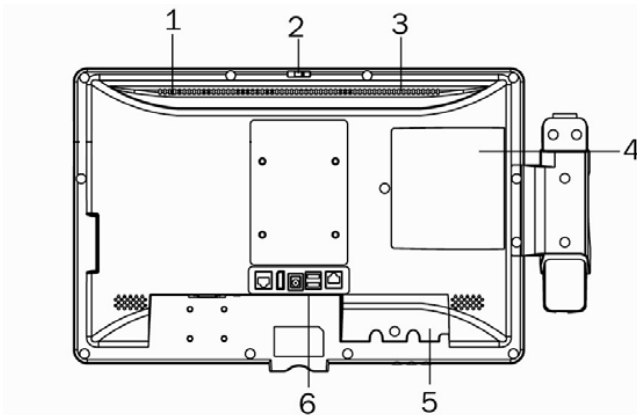
Number	Description
1	Build-in camera
2	Camera LED
3	Touch screen
4	 Touch keys (from left to right: reading light, volume down, volume up, channel down, channel up , power button)
5	Smart IC card reader
6	VOIP phone (optional)


3-2 Side View



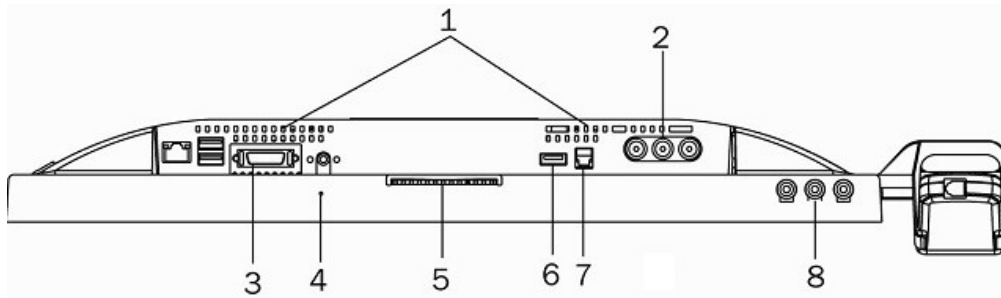
Number	Description
1	Combo smart IC card reader with separate RFID antenna (optional)
2	Speaker


3-3 Rear View



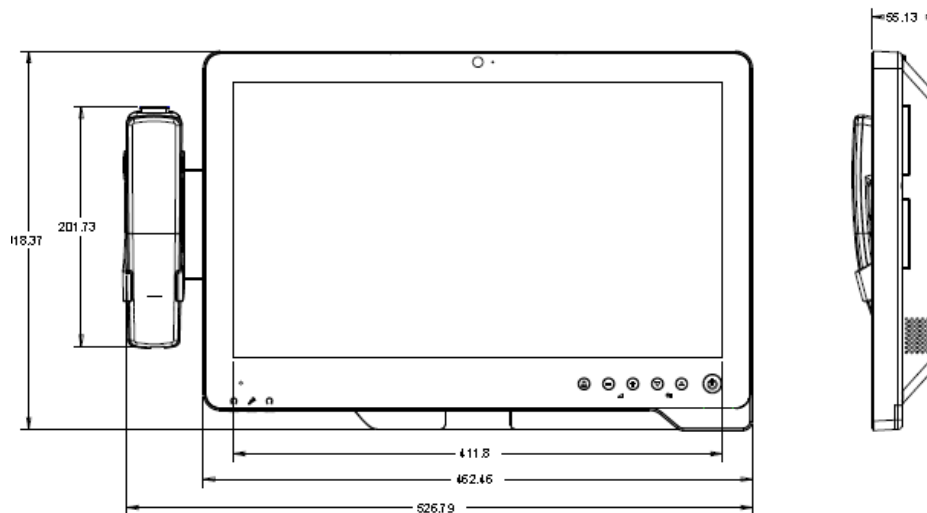
Number	Description
1	Light Sensor
2	Webcam switch
3	Ventilation
4	SSD/HDD door
5	Cable cover
6	 Vertical I/O port (from left to right: Nurse call, Display port, DC jack, USBx2, LAN)

3-4 Bottom View



Number	Description
1	Ventilation
2	From left to right: Video in, Audio left, Audio right (optional)
3	 Bottom I/O port (from left to right: LAN, USBx2, Remote, Power button)
4	Microphone
5	Smart IC card reader
6	USBx1
7	Phone jack (RJ11)
8	From left to right: Audio line-out, Mic-in, Audio line-out

3-5 Dimension



4 System Assembly

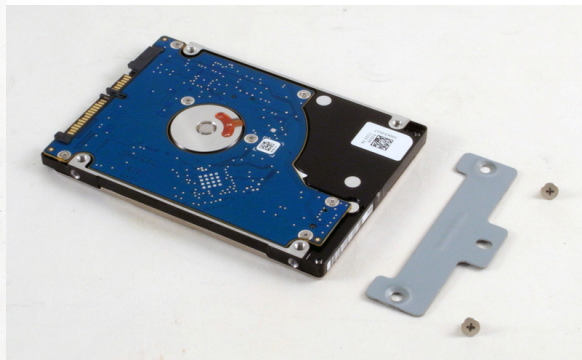
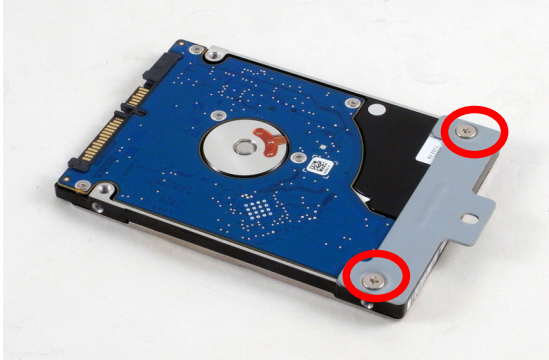
4-1 SSD/HDD Replacement



1. Remove the screw (x1) to open the HDD door.
2. Remove the screw (x1) that fixed the HDD to the system.



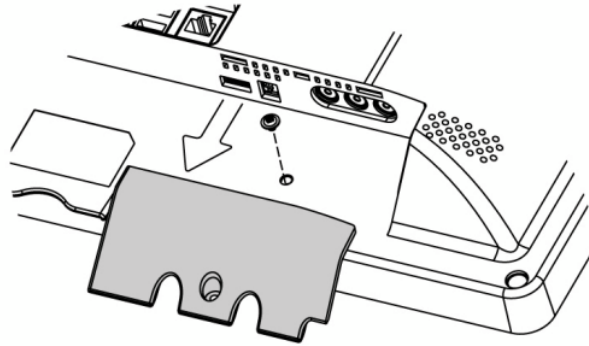
3. Pull the HDD outward as shown in the picture.



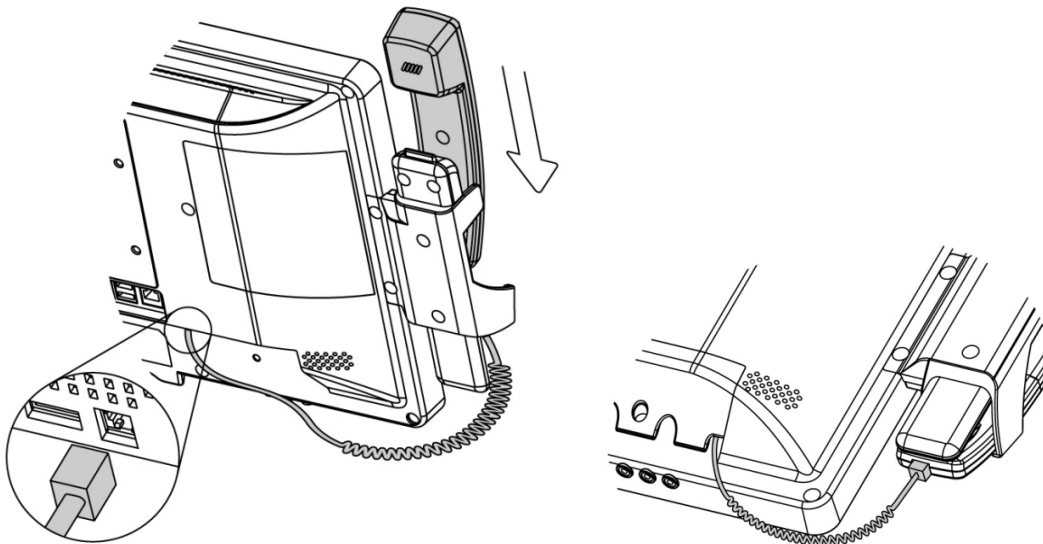
4. The HDD is secured by a metal bracket, remove the screws (x2) to release the metal bracket from the HDD.

5 Peripherals Installation

5-1 Phone module Installation

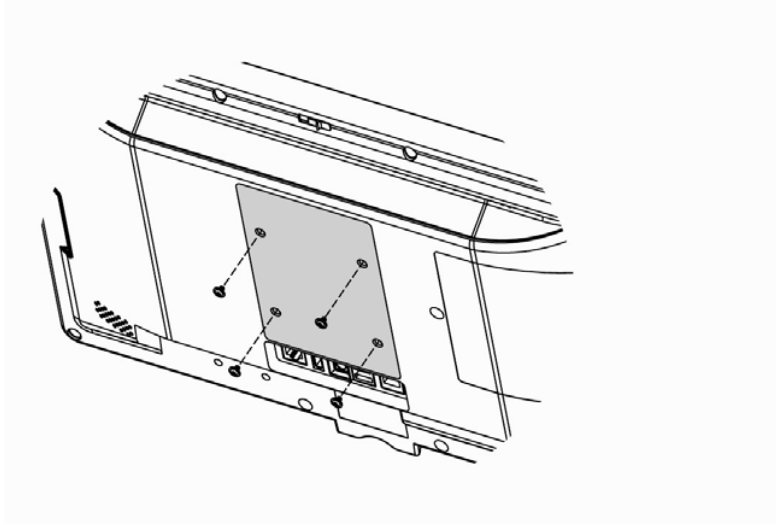


1. Loosen the screw(x1) to open the cable cover.



2. Slide the phone module into the phone holder and connect the other end of the phone cable to the connector on the system.

5-2 Stand Installation



2. Fasten the screws.(monitor screw M6x10 4pcs)

6 Specification

Model	K948
Motherboard	C73
Processor	Intel Celeron 1047UE
Core Logic	CPU with Graphic built-in HM76
System Memory	2 x DDR3 SO-DIMM slot up to 8GB FSB1600Mhz
Graphic Memory	DX11, HD Graphic 350MHz
LAN Controller / PHY	Intel WG82583V / Intel WG82579V
Audio Controller	Realtek ALC 662-GR HD codec
I/O Controller	Winbond W83627UHG
Touch	TF P-cap 18.5"
Camera LED	Green-color (GPIO)
Microphone	1
Power LED	Tri-color (GPIO)
Watch Dog Timer	Hardware WDT
Display Size	18.5"
Resolution	1366 x 768
Brightness	250 nits
DC-In	12V-48V 5A-1.5A
Storage	
HDD	Either 2.5" SATA SSD or HDD
Expansion	
Mini PCI e	1 x full size slot or half size slot
Side I/O (Back-Left)	
Smart IC Card Reader (optional)	1
Rear I/O (Left)	
LAN (2nd LAN)	1xRJ45 (with 10/100/1000,LED indicator)
USB	2 (USB 2 .0)
Remote	1x SCSI 26 pin
Reset Button	1, button can be pressed by probe
Power Button	1
Rear I/O (Right)	
Composite Video	Video in, Audio Left, Audio Right
Line-out	2 (Auto-detect,GPIO), in external IO

Model	K948
Motherboard	C73
Mic-In	1 (Auto-detect,GPIO), in external IO
Vertical I / O	
LAN	1 x RJ45 (with 10/100/1000)
Power	DC Jack 1 x DVI-D
Display Port	1 x DVI-D
USB	2 (USB 2 .0)
Nurse Call	1 x RJ48
Touch Keys	
Power Button	1xPower button (GPIO)
Channel Adjustment	1xChannel up, 1xChannel down (GPIO)
Volume	1xVolume up, 1xVolume down (GPIO)
Reading light	1xReading light(GPIO)
Environment	
EMC & Safety	FCC Class B, CE, LVD / UL60950 / EN60601
Environment	
Operating Temperature	0 °C ~ 35 °C (32 °F ~ +95 °F)
Storage Temperature	-20 °C ~ 60 °C (-4 °F ~ 140 °F)
Humidity	20% - 85% RH non condensing
Weight	
Weight	5Kgs
Operating System	
OS Support	Windows Embedded POSReady7, Windows 7, Linux
Communication & Peripherals	
Speaker	2 x 2.5W
Build In Microphone	In the bottom side
Webcam	5M web cam (USB interface) with webcam door (w/ fly LED cable to MB & control by GPIO)
VOIP Phone (Front left)	Handset module (optional)
Smart IC Card Reader	Comply with ISO 7816-1,2,3,T=1 and T=0 protocol
Combo Smart IC Card Reader (optional) with separate RFID antenna in the front bezel	Comply with ISO 7816-1,2,3,T=1 and T=0 Support MIFARE, MIFARE+ ,Desfire, PC/SC 2.0, HID
Light Sensor	Yes (GPIO)
TV Tuner & DVD Maker Card	Mechanical reserved

* This specification is subject to change without prior notice.

Application: Access to patient records / Hospital administration system / Bed management

Manufactory information:

Factory: Flytech Technology Co., Ltd.

Address: NO.36 Huaya 3rd Rd., Guishan Township, Taoyuan County 33383, Taiwan

Tel No: 886-3-272-9688 Fax No: 886-3-272-9666

Note: Cleaning solution-Wipe with cloth using clean water, 2 times a

week.

Adaptor Manufacturer: FSP TECHNOLOGY INC.

1. Model: PMP105-18-B15

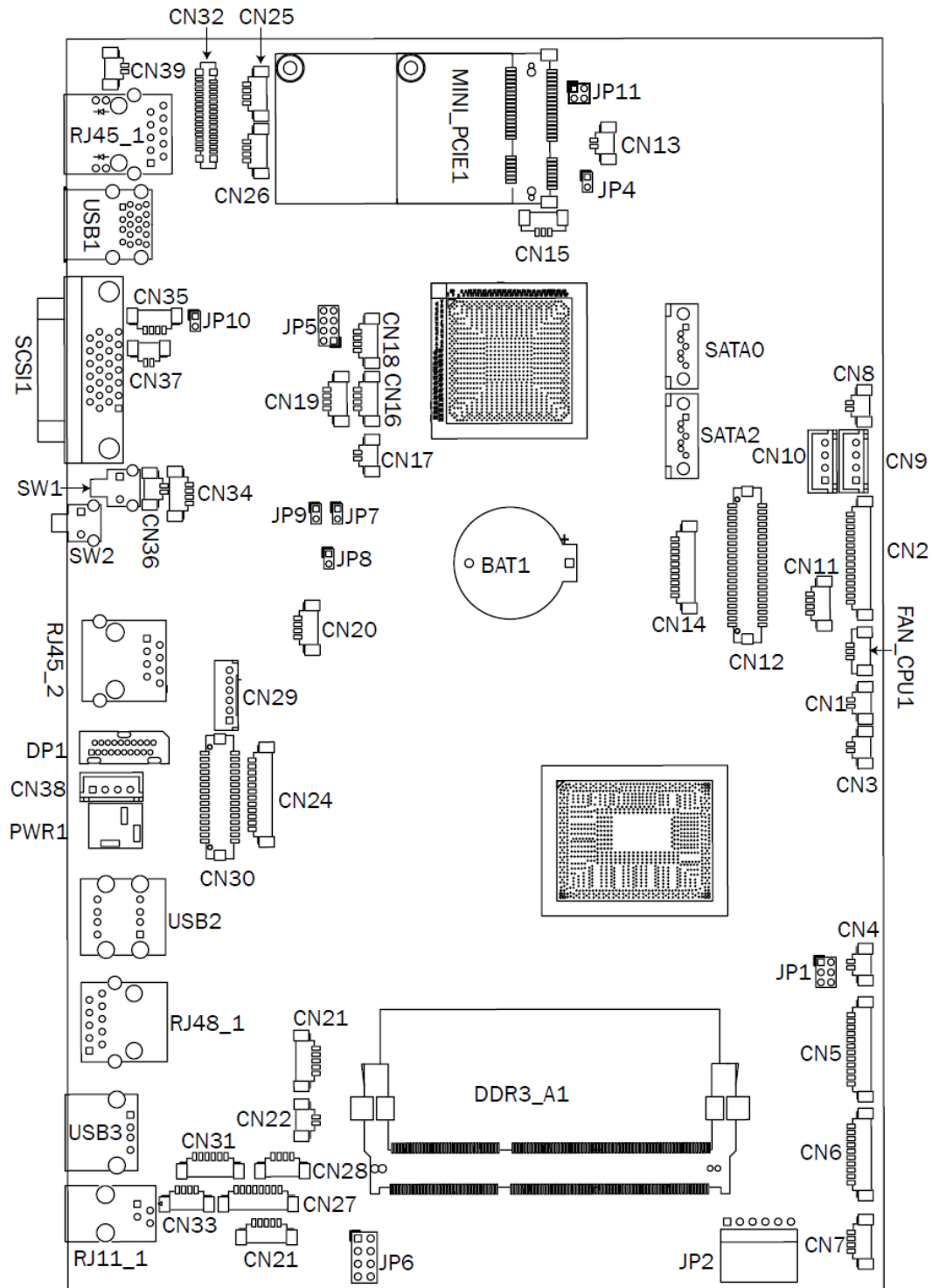
Rating: 100-240V,47-63Hz,0.7 – 1.4A

2. Model: PMP60-12-B16

Rating: 100-240V,47-63Hz,1.22-0.68A

7 Jumper Setting

7-1 C73 Motherboard

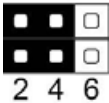


7-2 Connectors & Functions



Connector	Function
CN2	Scanner
CN3	Nurse Call LED Power
CN4	Build-In MIC
CN5	Inverter
CN6	COM5 (for touch)
CN7	USB port for Web Cam
CN8	HDD LED
CN9	SATA Power
CN10	SATA Power
CN11	PS/2 keyboard
CN12	LVDS
CN14	COM1
CN16	USB
CN17	Power LED
CN18	USB
CN19	USB
CN20	IrDA
CN22	Reading Light
CN23	Cradle
CN25	USB
CN26	USB
CN27	First Audio Jack
CN28	Second Audio Jack
CN29	To front USB board connector
CN30	30P All-In-One
CN31	Speaker & MIC
CN32	MSR
CN33	Speaker
CN34	MIC
CN36	Power Button
CN37	LAN LED
CN38	Adaptor Connector
CN39	LAN LED
RJ45_1	LAN1
USB1	USB1, USB2
SCSI 1	SATA
SW1	System Reset
SW2	System Power Button
RJ45_2	LAN2
DP1	DVI-D
PWR1	Adaptor Power Jack
USB2	USB1, USB2
RJ48_1	Nurse Call
USB3	USB
RJ11_1	Handset
SATA0	SATA
SATA1	SATA
FAN_CPU1	CPU Fan

7-3 Jumper Setting


Brightness Type Selection

Function	JP1 (1-2) (3-4) (5-6)
▲ LED	1 3 5  2 4 6

Power Mode Setting

Function	JP8 (1-2)
▲ ATX Power	1  2
AT Power	1  2

LCD ID Setting

Function	JP5 (1-2) (3-4) (5-6) (7-8)
18.5" AUO LCD	1 3 5 7  2 4 6 8

▲ = Manufacturer Default Setting



OPEN



SHORT