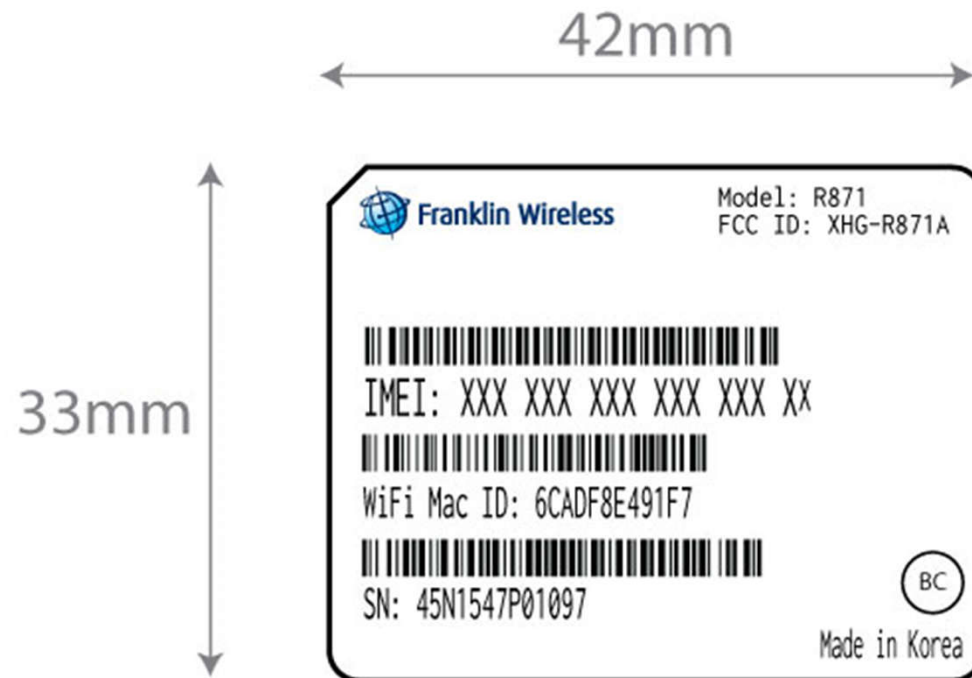


Device Label - Design

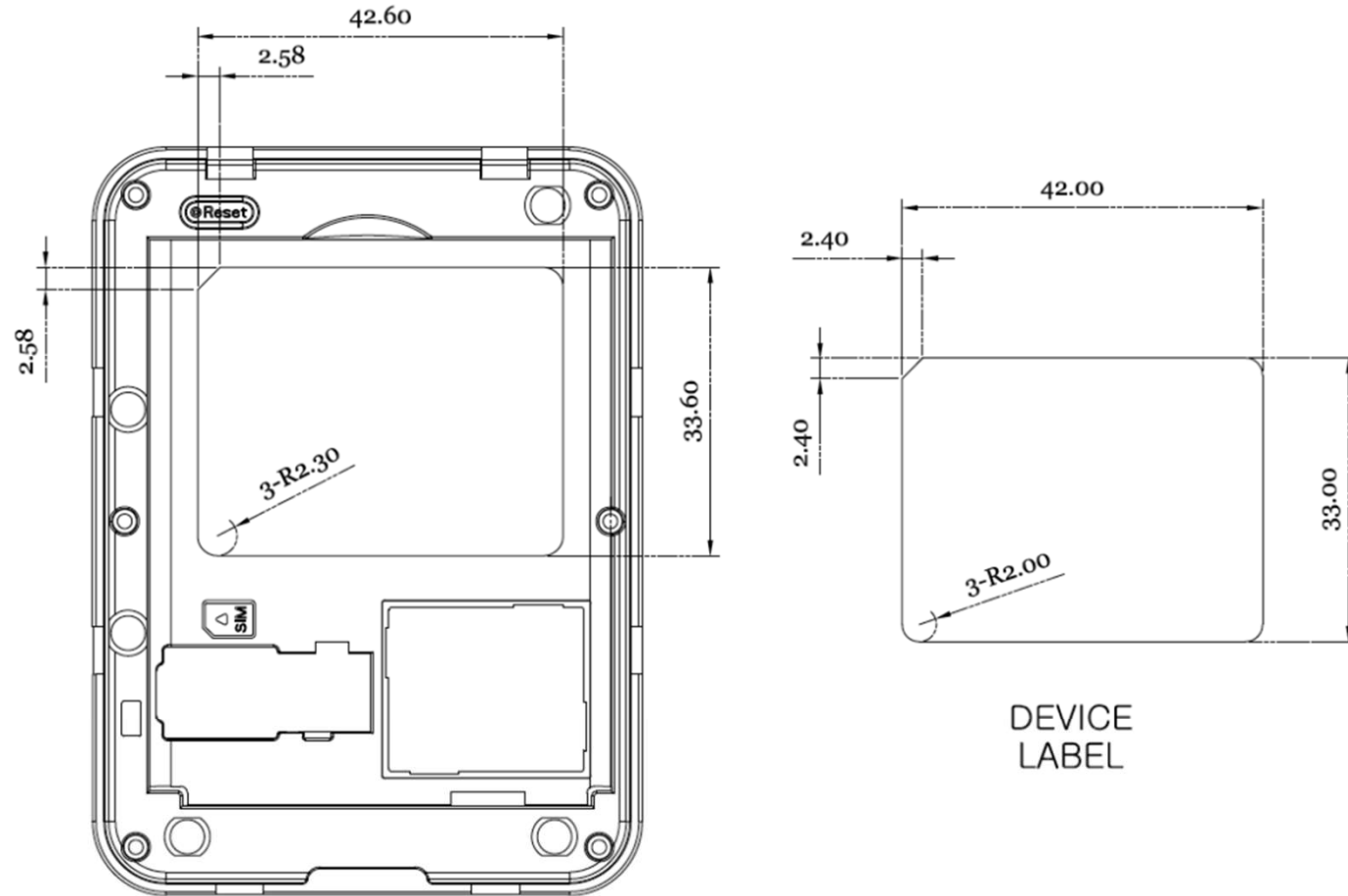
Labeling

FCC ID: XHG-871A



Device Label - location

Labeling



B COVER

Note : The FCC Label will be visible at the time of purchase.