

CONFORMANCE TEST REPORT**FOR****Subpart H Part 22****Report No. : JNDL-NU-14R-0001**

Client: Franklin Technology Inc.
Product: LTE/WIFI MOBILE ROUTER
Model: R774
Manufacture/supplier: Franklin Technology Inc.

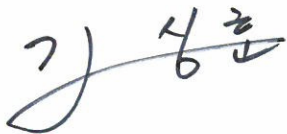

Date test item received: 2014/04/18
Date test campaign completed: 2014/05/29
Date of issue: 2014/06/02

ATTESTATION STATEMENT

This equipment has been tested in accordance with the standards identified in the referenced test report. To the best of my knowledge and belief, these tests were performed using the measurement procedures described in this report and demonstrate that the equipment complies with the appropriate standards.

All JNDL Laboratory. CO., LTD instrumentation and accessories used to test products for compliance to the indicated standards are calibrated regularly in accordance with ISO 17025 requirements.

Total number of pages of this test report : 40 pages

| Test engineer | Report reviewed by |
|---|--|
|  2014.6.2 |  2014.6.2 |
| Sang-hun kang | Kyoung-Pil, Yeom |

REPORT SUMMARY

| | |
|------------------------|--|
| Purpose of Test : | To demonstrate the EUT in compliance with Part 22 Subpart H of the FCC's |
| Disclaimer : | The test results relate only to the items tested. |
| Applicable Standards : | Pt 22, Pt 2, ANSI 63.4:2009, TIA-603-D-2010 |

TEST ENVIRONMENT AND TEST SETUP

| | |
|------------------------------|---|
| Test Facilities : | Test Firm Registration # : 748649 3m & 10m Open Site : 386-1, Ho-dong, Cheoin-gu, Yongin-si, Gyeonggi-do, Korea 3m semi-Anechoic chamber : B 114~115, 810 Kwanyang-Dong, dongan-Gu, Anyang-Si, Kyunggi-Do, 431-060, Korea |
| Laboratory Test Conditions : | Open Site : Temperature 25 °C, Humidity : 58 % 3m anechoic chamber : Temperature 26 °C, Humidity : 55 % |
| Test Exercise : | The EUT was set in continuous transmit mode of operation unless stated otherwise. |
| Modification to the EUT : | No modification was made. |
| Supporting Accessories : | None |

REVISION HISTORY

| Revision | Date | Descriptions |
|----------|------------|------------------|
| 0 | 2014.06.02 | Original release |

Table of Contents

| | |
|---|----|
| <i>1. General Remarks</i> | 4 |
| <i>2. Test Site</i> | 4 |
| 2.1 Location | 4 |
| 2.2 List of Test equipment used for tests..... | 4 |
| 2.3 Test Date | 4 |
| <i>3. Description of the Equipment Under Test</i> | 5 |
| <i>4. List of Measurements</i> | 6 |
| <i>5. Description of Tests</i> | 7 |
| <i>6. Conducted Output power</i> | 10 |
| <i>7. Effective Radiated power</i> | 17 |
| <i>8. Peak to Average Ratio</i> | 20 |
| <i>9. Modulation Characteristics</i> | 22 |
| <i>10. Occupied Bandwidth</i> | 24 |
| <i>11. Band Edge Compliance</i> | 26 |
| <i>12. Spurious Emission at Antenna Terminals</i> | 30 |
| <i>13. Field Strength of Spurious Radiation</i> | 32 |
| <i>14. Frequency Stability</i> | 36 |

1. General Remarks

The test results in this report apply to the particular Equipment Under Test (EUT) as declared in this report.

The test results presented in this report relate only to the item tested.

2. Test Site

2.1 Location

JNDL Laboratory. CO., LTD. (Test Firm Registration # : 748649)

3m anechoic chamber : B 114~115, 810 Kwanyang-Dong, dongan-Gu, Anyang-Si, Kyunggi-Do, Korea

3m & 10m Open site : 386-1, Ho-dong, Cheoin-gu, Yongin-si, Gyeonggi-do, Korea

2.2 List of Test equipment used for tests

| No. | Instrument | Model No. | Due to Calibration | Manufactor | Serial No. |
|-------------------------------------|---|-----------------------|--------------------|----------------------|------------|
| <input checked="" type="checkbox"/> | PSA SPECTRUM ANALYZER (3 Hz ~ 26.5 GHz) | E4440A | 2014-10-15 | Agilent Technologies | MY46185375 |
| <input checked="" type="checkbox"/> | SPECTRUM ANALYZER (20 Hz ~ 40.0 GHz) | FSP40 | 2015-01-08 | Rohde & Schwarz | 100308 |
| <input checked="" type="checkbox"/> | SIGNAL GENERATOR (10 MHz ~ 40 GHz) | MG3694B | 2014-10-15 | Anritsu Corp | 062513 |
| <input checked="" type="checkbox"/> | POWER METER (DC ~ 67 GHz) | NRP2 | 2014-10-15 | Rohde & Schwarz | 100973 |
| <input checked="" type="checkbox"/> | POWER SENSOR (50 MHz ~ 40 GHz) | NRP-Z85 | 2014-10-15 | Rohde & Schwarz | 101121 |
| <input checked="" type="checkbox"/> | POWER SENSOR (9 KHz ~ 6 GHz) | NRP-Z92 | 2014-10-15 | Rohde & Schwarz | 100093 |
| <input checked="" type="checkbox"/> | EMI TEST RECEIVER (20 MHz ~ 1000 MHz) | ESVS30 | 2014-10-15 | Rohde & Schwarz | 828525/005 |
| <input checked="" type="checkbox"/> | COMMUNICATION TEST SET (WCDMA/CDMA/EVDO/PCS) | E5515C | 2014-07-31 | Agilent Technologies | MY50260242 |
| <input type="checkbox"/> | COMMUNICATION TEST SET (LTE) | CMW500 | 2014-07-31 | Rohde & Schwarz | 140388 |
| <input checked="" type="checkbox"/> | POWER DIVIDER (DC-18GHz) | 1506A | 2014-10-15 | WEINSCHTEL | KW957 |
| <input checked="" type="checkbox"/> | BILOG ANTENNA (30 MHz ~ 1000 MHz) | VULB 9168 | 2015-02-17 | Schwarzbeck | 9168-505 |
| <input checked="" type="checkbox"/> | DIPOLE ANTENNA (30 MHz ~ 1 GHz) | UHAP | 2016-04-01 | Schwarzbeck | 950 |
| <input checked="" type="checkbox"/> | HORN ANTENNA (1 GHz ~ 18 GHz) | BBHA 9120D | 2014-12-12 | Schwarzbeck | 568 |
| <input type="checkbox"/> | HORN ANTENNA (1 GHz ~ 18 GHz) | 3117 | 2014-10-24 | ETS-Lindgren | 00135889 |
| <input checked="" type="checkbox"/> | Microwave Amplifier (1 GHz ~ 18 GHz) | TK-PA18 | 2014-09-05 | TESTEK | 1200020 |
| <input checked="" type="checkbox"/> | Low Noise Amplifier (18 GHz ~ 40 GHz) | AMF-6F-18004000-37-8P | 2015-05-06 | MITEQ | 1814914 |
| <input checked="" type="checkbox"/> | High Power Amplifier (0.7 GHz ~ 2.5 GHz) | ZHL-30W-252-S+ | N/A | Mini Circuit | 804501219 |
| <input checked="" type="checkbox"/> | High Pass Filter (1.5 GHz ~ 15 GHz) | WHKX1.5/15G-6SS | 2015-03-17 | WAINWRIGHT | 4 |
| <input type="checkbox"/> | High Pass Filter (3 GHz ~ 18 GHz) | WHK3.0/18G-10SS | 2014-06-07 | WAINWRIGHT | 344 |

→ All equipment is calibrated with traceable calibrations.

2.3 Test Date

Date of Application: 2014- 04 - 18

Date of Test: 2014- 04 - 22 ~ 2014 - 05 - 29

3. Description of the Equipment Under Test

| | |
|-----------------------|---|
| Manufacturer : | Franklin Technology Inc. |
| Product Description : | LTE/WIFI MOBILE ROUTER consists of LTE Band 12, LTE Band 25, Cellular CDMA, PCS CDMA, 1xRTT and EVDO Rev. 0 & Rev. A, WIFI(2.4 GHz) |
| FCC ID : | XHG-R774 |
| Model Name : | R774 |
| Multiple Model Name : | None |
| Operating Frequency : | TX : 824.70 MHz ~ 848.31 MHz RX : 869.70 MHz ~ 893.31 MHz |
| Modulation Type : | QPSK, 8PSK, 16QAM |
| Max. RF Output Power | <ul style="list-style-type: none"> • 0.245W ERP CDMA(23.90 dBm) • 0.261W ERP CDMA EVDO(24.17 dBm) |
| Emission Designator | <ul style="list-style-type: none"> • 1M27F9W CDMA • 1M28F9W CDMA EVDO |
| EUT Power Source : | Primary power – 3.7 Vdc Battery |
| | Secondary Power – Via AC Mains Powered DC 5V adapter |
| Test Item : | Prototype |
| Type of Equipment : | Mobile |
| Antennas : | PIFA Internal Antenna Max peak gain : 0.3 dBi |
| Antenna Connector : | DIP Connection(INTENNA) |

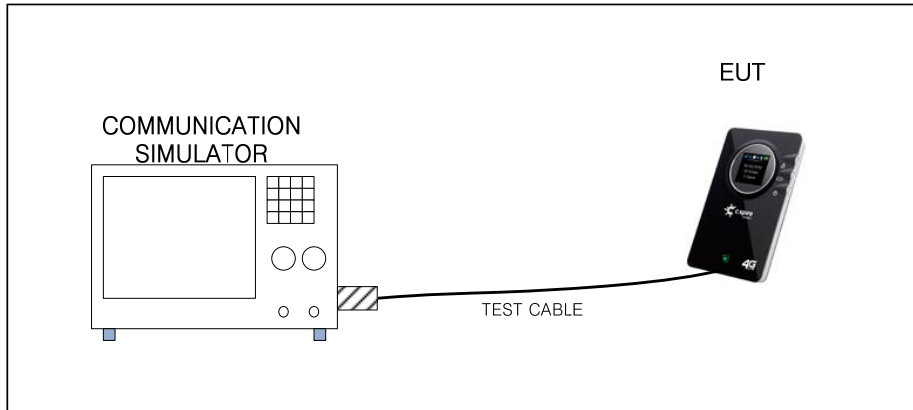
→ All the testing were performed according to the procedures in FCC Parts 22 & Parts 2
The EUT was operation with Communication Simulator (E5515C)

4. List of Measurements

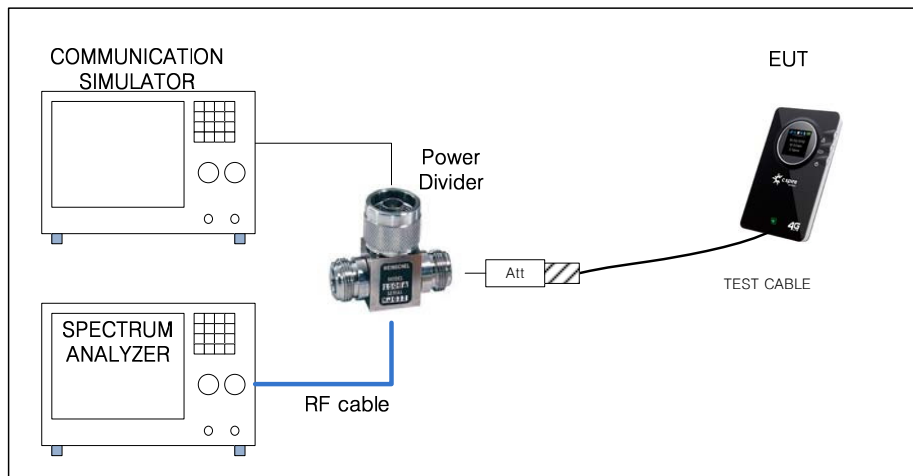
| Guide Lines | FCC Rules Part | Test Conditon | Result |
|--|--------------------|---------------|--------|
| Conducted Output Power | 2.1046 | Conducted | PASS |
| Effective Radiated Power | 22.913(a) (2) | Radiated | PASS |
| Peak to Average Ratio | - | Conducted | PASS |
| Modulation Characteristics | 2.1047 | Conducted | PASS |
| Occupied Bandwidth | 22.917(a) / 2.1049 | Conducted | PASS |
| Band Edges Compliance | 22.917(a) / 2.1051 | Conducted | PASS |
| Spurious Emission at Antenna Terminals | 22.917(a) / 2.1051 | Conducted | PASS |
| Field Strength of Spurious Radiation | 22.917(a) / 2.1053 | Radiated | PASS |
| Frequency Stability | 22.355 / 2.1055 | Conducted | PASS |

5. Description of Tests

5.1 Conducted power / Modulation Characteristics



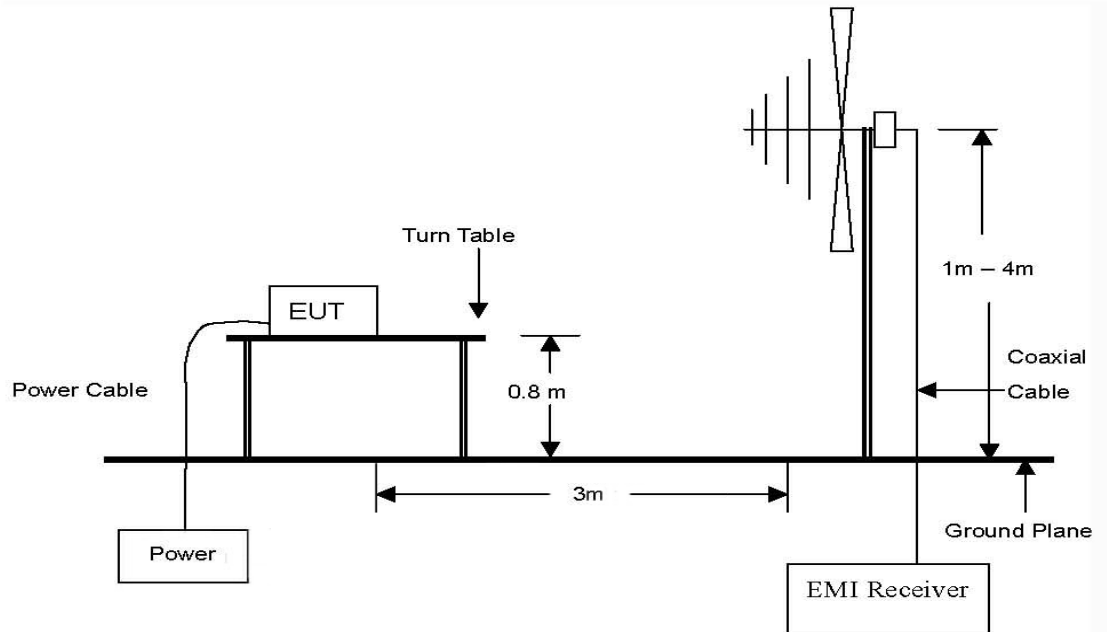
5.2 Peak to Average Ratio / Occupied Bandwidth / Band Edges Compliance / Spurious Emission at Antenna Terminals



5.3 Effective Raitded Power / Field Strength of Spurious radiation

5.3.1 Test setup for 30 MHz ~ 1 GHz

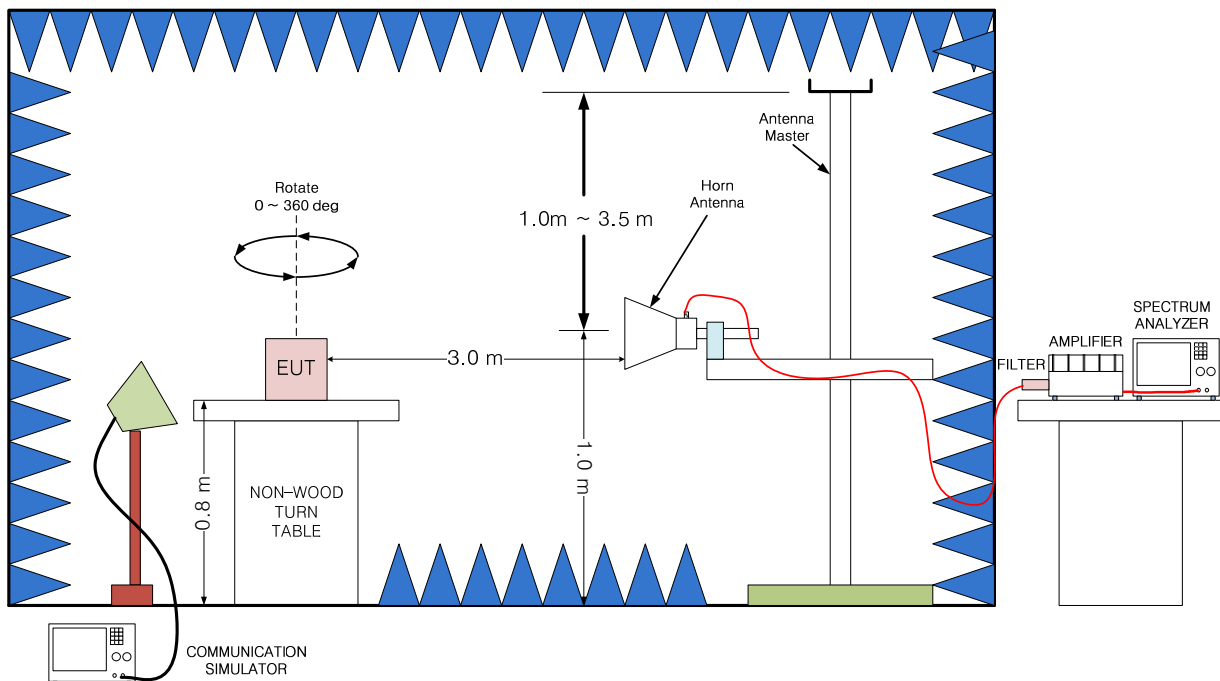
The diagram below shows the test setup that is utilized to make the measurements for emission from 30 MHz to 1 GHz emissions



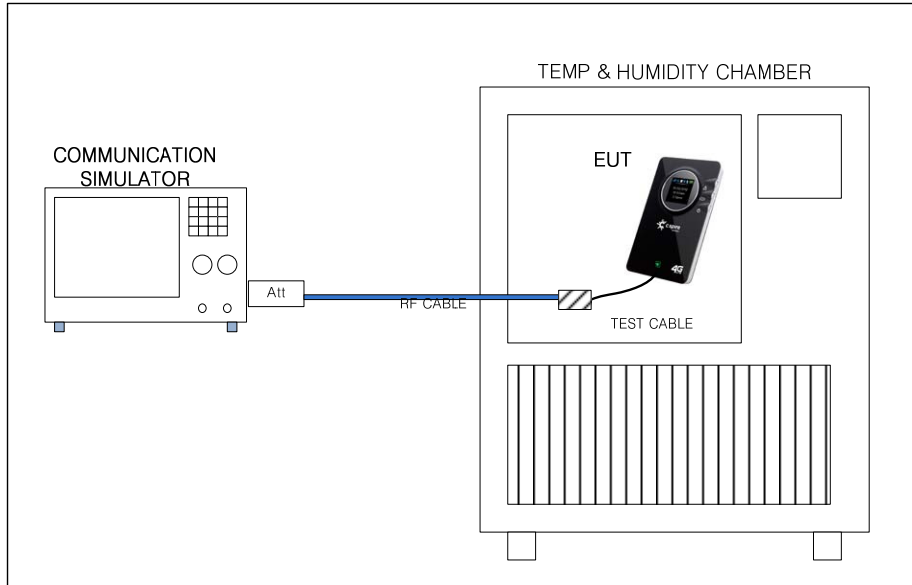
5.3.2 Test setup for 1 GHz ~ 10 GHz

The diagram below shows the test setup that is utilized to make the measurements for emission from 1 GHz to 10 GHz emissions. As required by subpart 15.33 emissions were measured to 10 GHz.(10th carrier frequency)

*** ERP measurement not use filter, it only use Field Strength of Spurious emissions.**



5.4 Frequency Stability



5.5 Worst-case Configuration and mode

Radiated emission and conducted emission were performed with the EUT set to transmit at the channel with highest output power as worst-case scenario.

The fundamental of the EUT was investigated in three orthogonal orientations XY, YZ, ZX.

Based on the baseline scan, the worst-case were:

CDMA : RC3/SO32+F-SCH

CDMA EVDO : Rev.0 RTAP 153.6 k

5.6 EUT operating conditions

The Eut makes a call to the communication simulator. The communication simulator station system controlled a EUT to export maximum output power under transmittision mode and specific channel frequency.

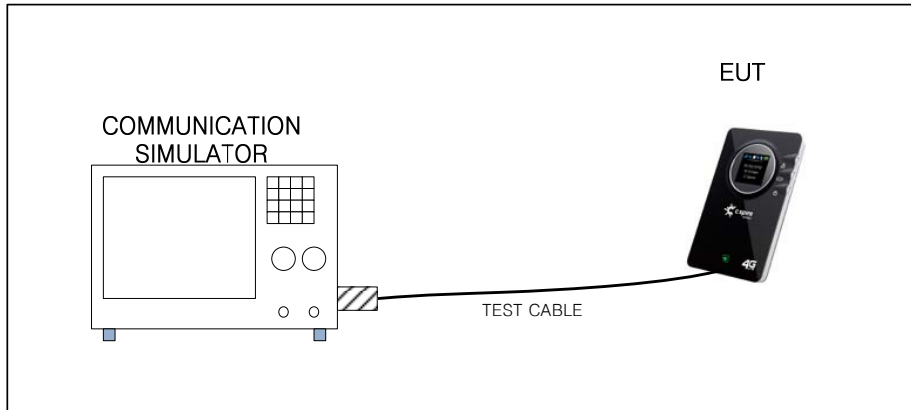
5.7 Methods and Procedure

| | |
|-------------|---|
| Reference : | 47 FCC PART 22 subpart H |
| Title : | CELLULAR RADIOTELEPHONE SERVICE |
| Reference : | 47 FCC PART 2 |
| Title : | FREQUENCY ALLOCATIONS AND RADIO TREATY MATTERS; GENERAL RULES AND REGULATIONS |
| Reference : | ANSI / TIA-603-D-2010 |
| Title : | Land mobile fm or pm communications equipment measurement and performance standards |
| Reference : | FCC KDB 971168 D01 v02r01, 7 June 2013 |
| Title: | Measurement Guidance for Certification of Licensed Digital Transmitters |

6. Conducted Output power

6.1 Test Procedure

A base station simulator was used to establish communication with The EUT. The base station simulator parameters were set to produce the maximum power from the EUT. This device was tested under all configurations and the highest power is reported. Conducted Output Powers of EUT are reported below.



* Simulator call mode : all bit up,

* TEST Cable : Connect CDMA Antenna PORT (0.3dB loss / 30 cm / MCX to SMA Cable)

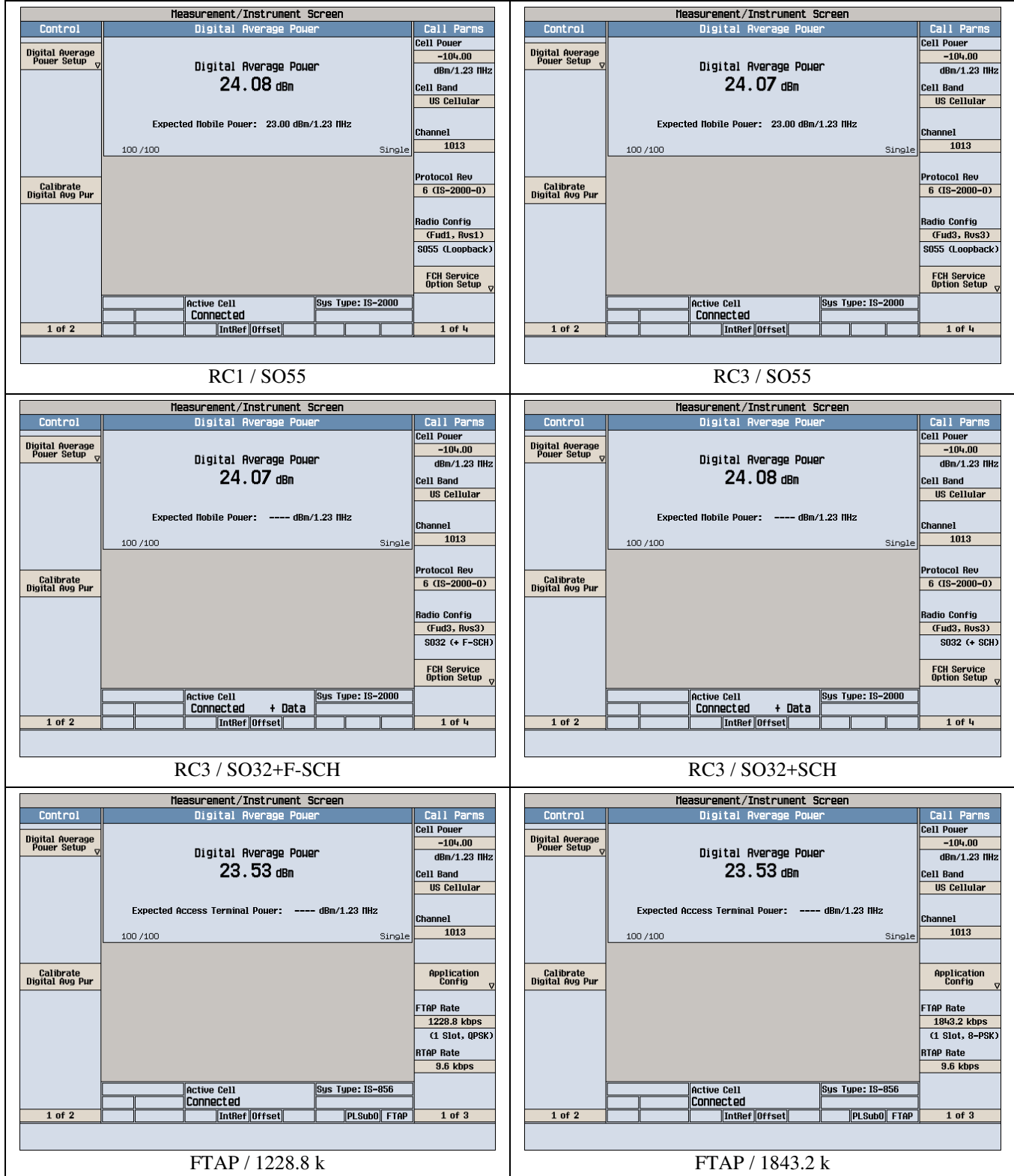
6.2 Test Result

Unit : dBm

| Mode | Radio Config | FCH Svc opt. | Low ch : 1013 | Mid ch : 384 | High ch : 779 |
|---------------------|--------------|--------------|-----------------------|-----------------------|-----------------------|
| | | | Freq(MHz) : 824.70 | Freq(MHz) : 836.52 | Freq(MHz) : 848.31 |
| CDMA | 1 | SO55 | 24.08 | 23.87 | 23.79 |
| | 3 | SO55 | 24.07 | 23.78 | 23.79 |
| | 3 | SO32+F-SCH | 24.07 | 23.99 | 23.78 |
| | 3 | SO32+SCH | 24.08 | 23.88 | 23.79 |
| CDMA EDVO Rev. 0 | FTAP | 1228.8 k | 23.53 | 24.58 | 24.63 |
| | FTAP | 1843.2 k | 23.53 | 24.42 | 24.60 |
| | FTAP | 2457.6 k | 23.55 | 24.53 | 24.62 |
| | RTAP | 153.6 k | 23.63 | 24.85 | 24.58 |
| CDMA EDVO Rev. A | FETAP | 1228.8 k | 23.40 | 23.38 | 24.10 |
| | FETAP | 1843.2 k | 23.58 | 23.63 | 23.27 |
| | FETAP | 3072 k | 23.54 | 23.82 | 23.42 |
| | RETAP | 4096 b | 23.52 | 23.36 | 23.26 |

6.3 Test Plots

* CH:1013 (824.70 MHz)



* CH:1013 (824.70 MHz)

| <table border="1"> <thead> <tr> <th colspan="2">Measurement/Instrument Screen</th> <th>Call Parm</th> </tr> </thead> <tbody> <tr> <td>Control</td> <td>Digital Average Power</td> <td>Cell Power</td> </tr> <tr> <td>Digital Average Power Setup</td> <td>Digital Average Power 23.55 dBm</td> <td>-104.00</td> </tr> <tr> <td></td> <td>Expected Access Terminal Power: ---- dBm/1.23 MHz</td> <td>dBm/1.23 MHz</td> </tr> <tr> <td></td> <td>100 /100</td> <td>Cell Band</td> </tr> <tr> <td></td> <td>Single</td> <td>US Cellular</td> </tr> <tr> <td>Calibrate Digital Avg Pur</td> <td></td> <td>Channel</td> </tr> <tr> <td></td> <td></td> <td>1013</td> </tr> <tr> <td></td> <td></td> <td>Application Config</td> </tr> <tr> <td></td> <td></td> <td>FTAP Rate</td> </tr> <tr> <td></td> <td></td> <td>2457.6 kbps</td> </tr> <tr> <td></td> <td></td> <td>(1 Slot, 16-QAM)</td> </tr> <tr> <td></td> <td></td> <td>RTAP Rate</td> </tr> <tr> <td></td> <td></td> <td>9.6 kbps</td> </tr> <tr> <td></td> <td>Active Cell Connected</td> <td>Sys Type: IS-856</td> </tr> <tr> <td>1 of 2</td> <td>IntRef Offset</td> <td>PLSub2 FTAP</td> </tr> <tr> <td></td> <td></td> <td>1 of 3</td> </tr> </tbody> </table> <p style="text-align: center;">FTAP / 2457.6 k</p> | | Measurement/Instrument Screen | | Call Parm | Control | Digital Average Power | Cell Power | Digital Average Power Setup | Digital Average Power 23.55 dBm | -104.00 | | Expected Access Terminal Power: ---- dBm/1.23 MHz | dBm/1.23 MHz | | 100 /100 | Cell Band | | Single | US Cellular | Calibrate Digital Avg Pur | | Channel | | | 1013 | | | Application Config | | | FTAP Rate | | | 2457.6 kbps | | | (1 Slot, 16-QAM) | | | RTAP Rate | | | 9.6 kbps | | Active Cell Connected | Sys Type: IS-856 | 1 of 2 | IntRef Offset | PLSub2 FTAP | | | 1 of 3 | <table border="1"> <thead> <tr> <th colspan="2">Measurement/Instrument Screen</th> <th>Call Parm</th> </tr> </thead> <tbody> <tr> <td>Control</td> <td>Digital Average Power</td> <td>Cell Power</td> </tr> <tr> <td>Digital Average Power Setup</td> <td>Digital Average Power 23.63 dBm</td> <td>-104.00</td> </tr> <tr> <td></td> <td>Expected Access Terminal Power: 23.00 dBm/1.23 MHz</td> <td>dBm/1.23 MHz</td> </tr> <tr> <td></td> <td>100 /100</td> <td>Cell Band</td> </tr> <tr> <td></td> <td>Single</td> <td>US Cellular</td> </tr> <tr> <td>Calibrate Digital Avg Pur</td> <td></td> <td>Channel</td> </tr> <tr> <td></td> <td></td> <td>1013</td> </tr> <tr> <td></td> <td></td> <td>Application Config</td> </tr> <tr> <td></td> <td></td> <td>FTAP Rate</td> </tr> <tr> <td></td> <td></td> <td>307.2 kbps</td> </tr> <tr> <td></td> <td></td> <td>(2 Slot, QPSK)</td> </tr> <tr> <td></td> <td></td> <td>RTAP Rate</td> </tr> <tr> <td></td> <td></td> <td>153.6 kbps</td> </tr> <tr> <td></td> <td>Active Cell Connected</td> <td>Sys Type: IS-856</td> </tr> <tr> <td>1 of 2</td> <td>IntRef Offset</td> <td>PLSub2 RTAP</td> </tr> <tr> <td></td> <td></td> <td>1 of 3</td> </tr> </tbody> </table> <p style="text-align: center;">RTAP / 153.6 k</p> | | Measurement/Instrument Screen | | Call Parm | Control | Digital Average Power | Cell Power | Digital Average Power Setup | Digital Average Power 23.63 dBm | -104.00 | | Expected Access Terminal Power: 23.00 dBm/1.23 MHz | dBm/1.23 MHz | | 100 /100 | Cell Band | | Single | US Cellular | Calibrate Digital Avg Pur | | Channel | | | 1013 | | | Application Config | | | FTAP Rate | | | 307.2 kbps | | | (2 Slot, QPSK) | | | RTAP Rate | | | 153.6 kbps | | Active Cell Connected | Sys Type: IS-856 | 1 of 2 | IntRef Offset | PLSub2 RTAP | | | 1 of 3 | | | | | | | | | | | | |
|--|--|-------------------------------|--|-----------|---------|-----------------------|------------|-----------------------------|---|---------|--|---|--------------|--|---|--------------|--|----------|-------------|---------------------------|-------------|-------------|---------------------------|--|---------|--|--|--------------------|--|--|--------------------|--|--|------------------|--|--|------------------|--|--|------------------|--|--|-----------------|--|-----------------------|------------------|--------|---------------|-------------|--|-----------------------|------------------|--|---------------|-------------------------------|--|-----------|---------|--|------------|-------------------------------|---|-----------|---------|--|--------------|-----------------------------|---|-----------|--|---|--------------|---------------------------|--|--------------|--|----------|-----------|--|--------|--------------------|---------------------------|--|-----------|--|--|------------|--|--|--------------------|--|--|------------------|--|--|---------------|--|-----------------------|------------------|--------|---------------|-----------------|--|--|--------|--|--|------|--|-----------------------|------------------|--------|---------------|--------------|--|--|--------|
| Measurement/Instrument Screen | | Call Parm | | | | | | | | | | | | | | | | | | | | | | | | | | | | | | | | | | | | | | | | | | | | | | | | | | | | | | | | | | | | | | | | | | | | | | | | | | | | | | | | | | | | | | | | | | | | | | | | | | | | | | | | | | | | | | | | | | | |
| Control | Digital Average Power | Cell Power | | | | | | | | | | | | | | | | | | | | | | | | | | | | | | | | | | | | | | | | | | | | | | | | | | | | | | | | | | | | | | | | | | | | | | | | | | | | | | | | | | | | | | | | | | | | | | | | | | | | | | | | | | | | | | | | | | | |
| Digital Average Power Setup | Digital Average Power 23.55 dBm | -104.00 | | | | | | | | | | | | | | | | | | | | | | | | | | | | | | | | | | | | | | | | | | | | | | | | | | | | | | | | | | | | | | | | | | | | | | | | | | | | | | | | | | | | | | | | | | | | | | | | | | | | | | | | | | | | | | | | | | | |
| | Expected Access Terminal Power: ---- dBm/1.23 MHz | dBm/1.23 MHz | | | | | | | | | | | | | | | | | | | | | | | | | | | | | | | | | | | | | | | | | | | | | | | | | | | | | | | | | | | | | | | | | | | | | | | | | | | | | | | | | | | | | | | | | | | | | | | | | | | | | | | | | | | | | | | | | | | |
| | 100 /100 | Cell Band | | | | | | | | | | | | | | | | | | | | | | | | | | | | | | | | | | | | | | | | | | | | | | | | | | | | | | | | | | | | | | | | | | | | | | | | | | | | | | | | | | | | | | | | | | | | | | | | | | | | | | | | | | | | | | | | | | | |
| | Single | US Cellular | | | | | | | | | | | | | | | | | | | | | | | | | | | | | | | | | | | | | | | | | | | | | | | | | | | | | | | | | | | | | | | | | | | | | | | | | | | | | | | | | | | | | | | | | | | | | | | | | | | | | | | | | | | | | | | | | | | |
| Calibrate Digital Avg Pur | | Channel | | | | | | | | | | | | | | | | | | | | | | | | | | | | | | | | | | | | | | | | | | | | | | | | | | | | | | | | | | | | | | | | | | | | | | | | | | | | | | | | | | | | | | | | | | | | | | | | | | | | | | | | | | | | | | | | | | | |
| | | 1013 | | | | | | | | | | | | | | | | | | | | | | | | | | | | | | | | | | | | | | | | | | | | | | | | | | | | | | | | | | | | | | | | | | | | | | | | | | | | | | | | | | | | | | | | | | | | | | | | | | | | | | | | | | | | | | | | | | | |
| | | Application Config | | | | | | | | | | | | | | | | | | | | | | | | | | | | | | | | | | | | | | | | | | | | | | | | | | | | | | | | | | | | | | | | | | | | | | | | | | | | | | | | | | | | | | | | | | | | | | | | | | | | | | | | | | | | | | | | | | | |
| | | FTAP Rate | | | | | | | | | | | | | | | | | | | | | | | | | | | | | | | | | | | | | | | | | | | | | | | | | | | | | | | | | | | | | | | | | | | | | | | | | | | | | | | | | | | | | | | | | | | | | | | | | | | | | | | | | | | | | | | | | | | |
| | | 2457.6 kbps | | | | | | | | | | | | | | | | | | | | | | | | | | | | | | | | | | | | | | | | | | | | | | | | | | | | | | | | | | | | | | | | | | | | | | | | | | | | | | | | | | | | | | | | | | | | | | | | | | | | | | | | | | | | | | | | | | | |
| | | (1 Slot, 16-QAM) | | | | | | | | | | | | | | | | | | | | | | | | | | | | | | | | | | | | | | | | | | | | | | | | | | | | | | | | | | | | | | | | | | | | | | | | | | | | | | | | | | | | | | | | | | | | | | | | | | | | | | | | | | | | | | | | | | | |
| | | RTAP Rate | | | | | | | | | | | | | | | | | | | | | | | | | | | | | | | | | | | | | | | | | | | | | | | | | | | | | | | | | | | | | | | | | | | | | | | | | | | | | | | | | | | | | | | | | | | | | | | | | | | | | | | | | | | | | | | | | | | |
| | | 9.6 kbps | | | | | | | | | | | | | | | | | | | | | | | | | | | | | | | | | | | | | | | | | | | | | | | | | | | | | | | | | | | | | | | | | | | | | | | | | | | | | | | | | | | | | | | | | | | | | | | | | | | | | | | | | | | | | | | | | | | |
| | Active Cell Connected | Sys Type: IS-856 | | | | | | | | | | | | | | | | | | | | | | | | | | | | | | | | | | | | | | | | | | | | | | | | | | | | | | | | | | | | | | | | | | | | | | | | | | | | | | | | | | | | | | | | | | | | | | | | | | | | | | | | | | | | | | | | | | | |
| 1 of 2 | IntRef Offset | PLSub2 FTAP | | | | | | | | | | | | | | | | | | | | | | | | | | | | | | | | | | | | | | | | | | | | | | | | | | | | | | | | | | | | | | | | | | | | | | | | | | | | | | | | | | | | | | | | | | | | | | | | | | | | | | | | | | | | | | | | | | | |
| | | 1 of 3 | | | | | | | | | | | | | | | | | | | | | | | | | | | | | | | | | | | | | | | | | | | | | | | | | | | | | | | | | | | | | | | | | | | | | | | | | | | | | | | | | | | | | | | | | | | | | | | | | | | | | | | | | | | | | | | | | | | |
| Measurement/Instrument Screen | | Call Parm | | | | | | | | | | | | | | | | | | | | | | | | | | | | | | | | | | | | | | | | | | | | | | | | | | | | | | | | | | | | | | | | | | | | | | | | | | | | | | | | | | | | | | | | | | | | | | | | | | | | | | | | | | | | | | | | | | | |
| Control | Digital Average Power | Cell Power | | | | | | | | | | | | | | | | | | | | | | | | | | | | | | | | | | | | | | | | | | | | | | | | | | | | | | | | | | | | | | | | | | | | | | | | | | | | | | | | | | | | | | | | | | | | | | | | | | | | | | | | | | | | | | | | | | | |
| Digital Average Power Setup | Digital Average Power 23.63 dBm | -104.00 | | | | | | | | | | | | | | | | | | | | | | | | | | | | | | | | | | | | | | | | | | | | | | | | | | | | | | | | | | | | | | | | | | | | | | | | | | | | | | | | | | | | | | | | | | | | | | | | | | | | | | | | | | | | | | | | | | | |
| | Expected Access Terminal Power: 23.00 dBm/1.23 MHz | dBm/1.23 MHz | | | | | | | | | | | | | | | | | | | | | | | | | | | | | | | | | | | | | | | | | | | | | | | | | | | | | | | | | | | | | | | | | | | | | | | | | | | | | | | | | | | | | | | | | | | | | | | | | | | | | | | | | | | | | | | | | | | |
| | 100 /100 | Cell Band | | | | | | | | | | | | | | | | | | | | | | | | | | | | | | | | | | | | | | | | | | | | | | | | | | | | | | | | | | | | | | | | | | | | | | | | | | | | | | | | | | | | | | | | | | | | | | | | | | | | | | | | | | | | | | | | | | | |
| | Single | US Cellular | | | | | | | | | | | | | | | | | | | | | | | | | | | | | | | | | | | | | | | | | | | | | | | | | | | | | | | | | | | | | | | | | | | | | | | | | | | | | | | | | | | | | | | | | | | | | | | | | | | | | | | | | | | | | | | | | | | |
| Calibrate Digital Avg Pur | | Channel | | | | | | | | | | | | | | | | | | | | | | | | | | | | | | | | | | | | | | | | | | | | | | | | | | | | | | | | | | | | | | | | | | | | | | | | | | | | | | | | | | | | | | | | | | | | | | | | | | | | | | | | | | | | | | | | | | | |
| | | 1013 | | | | | | | | | | | | | | | | | | | | | | | | | | | | | | | | | | | | | | | | | | | | | | | | | | | | | | | | | | | | | | | | | | | | | | | | | | | | | | | | | | | | | | | | | | | | | | | | | | | | | | | | | | | | | | | | | | | |
| | | Application Config | | | | | | | | | | | | | | | | | | | | | | | | | | | | | | | | | | | | | | | | | | | | | | | | | | | | | | | | | | | | | | | | | | | | | | | | | | | | | | | | | | | | | | | | | | | | | | | | | | | | | | | | | | | | | | | | | | | |
| | | FTAP Rate | | | | | | | | | | | | | | | | | | | | | | | | | | | | | | | | | | | | | | | | | | | | | | | | | | | | | | | | | | | | | | | | | | | | | | | | | | | | | | | | | | | | | | | | | | | | | | | | | | | | | | | | | | | | | | | | | | | |
| | | 307.2 kbps | | | | | | | | | | | | | | | | | | | | | | | | | | | | | | | | | | | | | | | | | | | | | | | | | | | | | | | | | | | | | | | | | | | | | | | | | | | | | | | | | | | | | | | | | | | | | | | | | | | | | | | | | | | | | | | | | | | |
| | | (2 Slot, QPSK) | | | | | | | | | | | | | | | | | | | | | | | | | | | | | | | | | | | | | | | | | | | | | | | | | | | | | | | | | | | | | | | | | | | | | | | | | | | | | | | | | | | | | | | | | | | | | | | | | | | | | | | | | | | | | | | | | | | |
| | | RTAP Rate | | | | | | | | | | | | | | | | | | | | | | | | | | | | | | | | | | | | | | | | | | | | | | | | | | | | | | | | | | | | | | | | | | | | | | | | | | | | | | | | | | | | | | | | | | | | | | | | | | | | | | | | | | | | | | | | | | | |
| | | 153.6 kbps | | | | | | | | | | | | | | | | | | | | | | | | | | | | | | | | | | | | | | | | | | | | | | | | | | | | | | | | | | | | | | | | | | | | | | | | | | | | | | | | | | | | | | | | | | | | | | | | | | | | | | | | | | | | | | | | | | | |
| | Active Cell Connected | Sys Type: IS-856 | | | | | | | | | | | | | | | | | | | | | | | | | | | | | | | | | | | | | | | | | | | | | | | | | | | | | | | | | | | | | | | | | | | | | | | | | | | | | | | | | | | | | | | | | | | | | | | | | | | | | | | | | | | | | | | | | | | |
| 1 of 2 | IntRef Offset | PLSub2 RTAP | | | | | | | | | | | | | | | | | | | | | | | | | | | | | | | | | | | | | | | | | | | | | | | | | | | | | | | | | | | | | | | | | | | | | | | | | | | | | | | | | | | | | | | | | | | | | | | | | | | | | | | | | | | | | | | | | | | |
| | | 1 of 3 | | | | | | | | | | | | | | | | | | | | | | | | | | | | | | | | | | | | | | | | | | | | | | | | | | | | | | | | | | | | | | | | | | | | | | | | | | | | | | | | | | | | | | | | | | | | | | | | | | | | | | | | | | | | | | | | | | | |
| <table border="1"> <thead> <tr> <th colspan="2">Measurement/Instrument Screen</th> <th>Call Parm</th> </tr> </thead> <tbody> <tr> <td>Control</td> <td>Digital Average Power</td> <td>Cell Power</td> </tr> <tr> <td>Digital Average Power Setup</td> <td>Digital Average Power 23.40 dBm</td> <td>-104.00</td> </tr> <tr> <td></td> <td>Expected AT Power (Pre-Trans): ---- dBm/1.23 MHz</td> <td>dBm/1.23 MHz</td> </tr> <tr> <td></td> <td>Expected AT Power (Post-Trans): ---- dBm/1.23 MHz</td> <td>dBm/1.23 MHz</td> </tr> <tr> <td></td> <td>100 /100</td> <td>Cell Band</td> </tr> <tr> <td></td> <td>Under Range</td> <td>US Cellular</td> </tr> <tr> <td>Calibrate Digital Avg Pur</td> <td></td> <td>Channel</td> </tr> <tr> <td></td> <td></td> <td>1013</td> </tr> <tr> <td></td> <td></td> <td>Application Config</td> </tr> <tr> <td></td> <td></td> <td>F-Traffic Format</td> </tr> <tr> <td></td> <td></td> <td>9 (2048,1.64)</td> </tr> <tr> <td></td> <td></td> <td>(1228.8k, QPSK)</td> </tr> <tr> <td></td> <td></td> <td>R-Data Pkt Size</td> </tr> <tr> <td></td> <td></td> <td>4096</td> </tr> <tr> <td></td> <td></td> <td>bits</td> </tr> <tr> <td></td> <td>Active Cell Connected</td> <td>Sys Type: IS-856</td> </tr> <tr> <td>1 of 2</td> <td>IntRef Offset</td> <td>PLSub2 FETAP</td> </tr> <tr> <td></td> <td></td> <td>1 of 3</td> </tr> </tbody> </table> <p style="text-align: center;">FETAP / 1228.8 k</p> | | Measurement/Instrument Screen | | Call Parm | Control | Digital Average Power | Cell Power | Digital Average Power Setup | Digital Average Power 23.40 dBm | -104.00 | | Expected AT Power (Pre-Trans): ---- dBm/1.23 MHz | dBm/1.23 MHz | | Expected AT Power (Post-Trans): ---- dBm/1.23 MHz | dBm/1.23 MHz | | 100 /100 | Cell Band | | Under Range | US Cellular | Calibrate Digital Avg Pur | | Channel | | | 1013 | | | Application Config | | | F-Traffic Format | | | 9 (2048,1.64) | | | (1228.8k, QPSK) | | | R-Data Pkt Size | | | 4096 | | | bits | | Active Cell Connected | Sys Type: IS-856 | 1 of 2 | IntRef Offset | PLSub2 FETAP | | | 1 of 3 | <table border="1"> <thead> <tr> <th colspan="2">Measurement/Instrument Screen</th> <th>Call Parm</th> </tr> </thead> <tbody> <tr> <td>Control</td> <td>Digital Average Power</td> <td>Cell Power</td> </tr> <tr> <td>Digital Average Power Setup</td> <td>Digital Average Power 23.58 dBm</td> <td>-104.00</td> </tr> <tr> <td></td> <td>Expected AT Power (Pre-Trans): ---- dBm/1.23 MHz</td> <td>dBm/1.23 MHz</td> </tr> <tr> <td></td> <td>Expected AT Power (Post-Trans): ---- dBm/1.23 MHz</td> <td>dBm/1.23 MHz</td> </tr> <tr> <td></td> <td>100 /100</td> <td>Cell Band</td> </tr> <tr> <td></td> <td>Single</td> <td>US Cellular</td> </tr> <tr> <td>Calibrate Digital Avg Pur</td> <td></td> <td>Channel</td> </tr> <tr> <td></td> <td></td> <td>1013</td> </tr> <tr> <td></td> <td></td> <td>Application Config</td> </tr> <tr> <td></td> <td></td> <td>F-Traffic Format</td> </tr> <tr> <td></td> <td></td> <td>B (3072,1.64)</td> </tr> <tr> <td></td> <td></td> <td>(1843.2k, 8-PSK)</td> </tr> <tr> <td></td> <td></td> <td>R-Data Pkt Size</td> </tr> <tr> <td></td> <td></td> <td>4096</td> </tr> <tr> <td></td> <td></td> <td>bits</td> </tr> <tr> <td></td> <td>Active Cell Connected</td> <td>Sys Type: IS-856</td> </tr> <tr> <td>1 of 2</td> <td>IntRef Offset</td> <td>PLSub2 FETAP</td> </tr> <tr> <td></td> <td></td> <td>1 of 3</td> </tr> </tbody> </table> <p style="text-align: center;">FETAP / 1843.2 k</p> | | Measurement/Instrument Screen | | Call Parm | Control | Digital Average Power | Cell Power | Digital Average Power Setup | Digital Average Power 23.58 dBm | -104.00 | | Expected AT Power (Pre-Trans): ---- dBm/1.23 MHz | dBm/1.23 MHz | | Expected AT Power (Post-Trans): ---- dBm/1.23 MHz | dBm/1.23 MHz | | 100 /100 | Cell Band | | Single | US Cellular | Calibrate Digital Avg Pur | | Channel | | | 1013 | | | Application Config | | | F-Traffic Format | | | B (3072,1.64) | | | (1843.2k, 8-PSK) | | | R-Data Pkt Size | | | 4096 | | | bits | | Active Cell Connected | Sys Type: IS-856 | 1 of 2 | IntRef Offset | PLSub2 FETAP | | | 1 of 3 |
| Measurement/Instrument Screen | | Call Parm | | | | | | | | | | | | | | | | | | | | | | | | | | | | | | | | | | | | | | | | | | | | | | | | | | | | | | | | | | | | | | | | | | | | | | | | | | | | | | | | | | | | | | | | | | | | | | | | | | | | | | | | | | | | | | | | | | | |
| Control | Digital Average Power | Cell Power | | | | | | | | | | | | | | | | | | | | | | | | | | | | | | | | | | | | | | | | | | | | | | | | | | | | | | | | | | | | | | | | | | | | | | | | | | | | | | | | | | | | | | | | | | | | | | | | | | | | | | | | | | | | | | | | | | | |
| Digital Average Power Setup | Digital Average Power 23.40 dBm | -104.00 | | | | | | | | | | | | | | | | | | | | | | | | | | | | | | | | | | | | | | | | | | | | | | | | | | | | | | | | | | | | | | | | | | | | | | | | | | | | | | | | | | | | | | | | | | | | | | | | | | | | | | | | | | | | | | | | | | | |
| | Expected AT Power (Pre-Trans): ---- dBm/1.23 MHz | dBm/1.23 MHz | | | | | | | | | | | | | | | | | | | | | | | | | | | | | | | | | | | | | | | | | | | | | | | | | | | | | | | | | | | | | | | | | | | | | | | | | | | | | | | | | | | | | | | | | | | | | | | | | | | | | | | | | | | | | | | | | | | |
| | Expected AT Power (Post-Trans): ---- dBm/1.23 MHz | dBm/1.23 MHz | | | | | | | | | | | | | | | | | | | | | | | | | | | | | | | | | | | | | | | | | | | | | | | | | | | | | | | | | | | | | | | | | | | | | | | | | | | | | | | | | | | | | | | | | | | | | | | | | | | | | | | | | | | | | | | | | | | |
| | 100 /100 | Cell Band | | | | | | | | | | | | | | | | | | | | | | | | | | | | | | | | | | | | | | | | | | | | | | | | | | | | | | | | | | | | | | | | | | | | | | | | | | | | | | | | | | | | | | | | | | | | | | | | | | | | | | | | | | | | | | | | | | | |
| | Under Range | US Cellular | | | | | | | | | | | | | | | | | | | | | | | | | | | | | | | | | | | | | | | | | | | | | | | | | | | | | | | | | | | | | | | | | | | | | | | | | | | | | | | | | | | | | | | | | | | | | | | | | | | | | | | | | | | | | | | | | | | |
| Calibrate Digital Avg Pur | | Channel | | | | | | | | | | | | | | | | | | | | | | | | | | | | | | | | | | | | | | | | | | | | | | | | | | | | | | | | | | | | | | | | | | | | | | | | | | | | | | | | | | | | | | | | | | | | | | | | | | | | | | | | | | | | | | | | | | | |
| | | 1013 | | | | | | | | | | | | | | | | | | | | | | | | | | | | | | | | | | | | | | | | | | | | | | | | | | | | | | | | | | | | | | | | | | | | | | | | | | | | | | | | | | | | | | | | | | | | | | | | | | | | | | | | | | | | | | | | | | | |
| | | Application Config | | | | | | | | | | | | | | | | | | | | | | | | | | | | | | | | | | | | | | | | | | | | | | | | | | | | | | | | | | | | | | | | | | | | | | | | | | | | | | | | | | | | | | | | | | | | | | | | | | | | | | | | | | | | | | | | | | | |
| | | F-Traffic Format | | | | | | | | | | | | | | | | | | | | | | | | | | | | | | | | | | | | | | | | | | | | | | | | | | | | | | | | | | | | | | | | | | | | | | | | | | | | | | | | | | | | | | | | | | | | | | | | | | | | | | | | | | | | | | | | | | | |
| | | 9 (2048,1.64) | | | | | | | | | | | | | | | | | | | | | | | | | | | | | | | | | | | | | | | | | | | | | | | | | | | | | | | | | | | | | | | | | | | | | | | | | | | | | | | | | | | | | | | | | | | | | | | | | | | | | | | | | | | | | | | | | | | |
| | | (1228.8k, QPSK) | | | | | | | | | | | | | | | | | | | | | | | | | | | | | | | | | | | | | | | | | | | | | | | | | | | | | | | | | | | | | | | | | | | | | | | | | | | | | | | | | | | | | | | | | | | | | | | | | | | | | | | | | | | | | | | | | | | |
| | | R-Data Pkt Size | | | | | | | | | | | | | | | | | | | | | | | | | | | | | | | | | | | | | | | | | | | | | | | | | | | | | | | | | | | | | | | | | | | | | | | | | | | | | | | | | | | | | | | | | | | | | | | | | | | | | | | | | | | | | | | | | | | |
| | | 4096 | | | | | | | | | | | | | | | | | | | | | | | | | | | | | | | | | | | | | | | | | | | | | | | | | | | | | | | | | | | | | | | | | | | | | | | | | | | | | | | | | | | | | | | | | | | | | | | | | | | | | | | | | | | | | | | | | | | |
| | | bits | | | | | | | | | | | | | | | | | | | | | | | | | | | | | | | | | | | | | | | | | | | | | | | | | | | | | | | | | | | | | | | | | | | | | | | | | | | | | | | | | | | | | | | | | | | | | | | | | | | | | | | | | | | | | | | | | | | |
| | Active Cell Connected | Sys Type: IS-856 | | | | | | | | | | | | | | | | | | | | | | | | | | | | | | | | | | | | | | | | | | | | | | | | | | | | | | | | | | | | | | | | | | | | | | | | | | | | | | | | | | | | | | | | | | | | | | | | | | | | | | | | | | | | | | | | | | | |
| 1 of 2 | IntRef Offset | PLSub2 FETAP | | | | | | | | | | | | | | | | | | | | | | | | | | | | | | | | | | | | | | | | | | | | | | | | | | | | | | | | | | | | | | | | | | | | | | | | | | | | | | | | | | | | | | | | | | | | | | | | | | | | | | | | | | | | | | | | | | | |
| | | 1 of 3 | | | | | | | | | | | | | | | | | | | | | | | | | | | | | | | | | | | | | | | | | | | | | | | | | | | | | | | | | | | | | | | | | | | | | | | | | | | | | | | | | | | | | | | | | | | | | | | | | | | | | | | | | | | | | | | | | | | |
| Measurement/Instrument Screen | | Call Parm | | | | | | | | | | | | | | | | | | | | | | | | | | | | | | | | | | | | | | | | | | | | | | | | | | | | | | | | | | | | | | | | | | | | | | | | | | | | | | | | | | | | | | | | | | | | | | | | | | | | | | | | | | | | | | | | | | | |
| Control | Digital Average Power | Cell Power | | | | | | | | | | | | | | | | | | | | | | | | | | | | | | | | | | | | | | | | | | | | | | | | | | | | | | | | | | | | | | | | | | | | | | | | | | | | | | | | | | | | | | | | | | | | | | | | | | | | | | | | | | | | | | | | | | | |
| Digital Average Power Setup | Digital Average Power 23.58 dBm | -104.00 | | | | | | | | | | | | | | | | | | | | | | | | | | | | | | | | | | | | | | | | | | | | | | | | | | | | | | | | | | | | | | | | | | | | | | | | | | | | | | | | | | | | | | | | | | | | | | | | | | | | | | | | | | | | | | | | | | | |
| | Expected AT Power (Pre-Trans): ---- dBm/1.23 MHz | dBm/1.23 MHz | | | | | | | | | | | | | | | | | | | | | | | | | | | | | | | | | | | | | | | | | | | | | | | | | | | | | | | | | | | | | | | | | | | | | | | | | | | | | | | | | | | | | | | | | | | | | | | | | | | | | | | | | | | | | | | | | | | |
| | Expected AT Power (Post-Trans): ---- dBm/1.23 MHz | dBm/1.23 MHz | | | | | | | | | | | | | | | | | | | | | | | | | | | | | | | | | | | | | | | | | | | | | | | | | | | | | | | | | | | | | | | | | | | | | | | | | | | | | | | | | | | | | | | | | | | | | | | | | | | | | | | | | | | | | | | | | | | |
| | 100 /100 | Cell Band | | | | | | | | | | | | | | | | | | | | | | | | | | | | | | | | | | | | | | | | | | | | | | | | | | | | | | | | | | | | | | | | | | | | | | | | | | | | | | | | | | | | | | | | | | | | | | | | | | | | | | | | | | | | | | | | | | | |
| | Single | US Cellular | | | | | | | | | | | | | | | | | | | | | | | | | | | | | | | | | | | | | | | | | | | | | | | | | | | | | | | | | | | | | | | | | | | | | | | | | | | | | | | | | | | | | | | | | | | | | | | | | | | | | | | | | | | | | | | | | | | |
| Calibrate Digital Avg Pur | | Channel | | | | | | | | | | | | | | | | | | | | | | | | | | | | | | | | | | | | | | | | | | | | | | | | | | | | | | | | | | | | | | | | | | | | | | | | | | | | | | | | | | | | | | | | | | | | | | | | | | | | | | | | | | | | | | | | | | | |
| | | 1013 | | | | | | | | | | | | | | | | | | | | | | | | | | | | | | | | | | | | | | | | | | | | | | | | | | | | | | | | | | | | | | | | | | | | | | | | | | | | | | | | | | | | | | | | | | | | | | | | | | | | | | | | | | | | | | | | | | | |
| | | Application Config | | | | | | | | | | | | | | | | | | | | | | | | | | | | | | | | | | | | | | | | | | | | | | | | | | | | | | | | | | | | | | | | | | | | | | | | | | | | | | | | | | | | | | | | | | | | | | | | | | | | | | | | | | | | | | | | | | | |
| | | F-Traffic Format | | | | | | | | | | | | | | | | | | | | | | | | | | | | | | | | | | | | | | | | | | | | | | | | | | | | | | | | | | | | | | | | | | | | | | | | | | | | | | | | | | | | | | | | | | | | | | | | | | | | | | | | | | | | | | | | | | | |
| | | B (3072,1.64) | | | | | | | | | | | | | | | | | | | | | | | | | | | | | | | | | | | | | | | | | | | | | | | | | | | | | | | | | | | | | | | | | | | | | | | | | | | | | | | | | | | | | | | | | | | | | | | | | | | | | | | | | | | | | | | | | | | |
| | | (1843.2k, 8-PSK) | | | | | | | | | | | | | | | | | | | | | | | | | | | | | | | | | | | | | | | | | | | | | | | | | | | | | | | | | | | | | | | | | | | | | | | | | | | | | | | | | | | | | | | | | | | | | | | | | | | | | | | | | | | | | | | | | | | |
| | | R-Data Pkt Size | | | | | | | | | | | | | | | | | | | | | | | | | | | | | | | | | | | | | | | | | | | | | | | | | | | | | | | | | | | | | | | | | | | | | | | | | | | | | | | | | | | | | | | | | | | | | | | | | | | | | | | | | | | | | | | | | | | |
| | | 4096 | | | | | | | | | | | | | | | | | | | | | | | | | | | | | | | | | | | | | | | | | | | | | | | | | | | | | | | | | | | | | | | | | | | | | | | | | | | | | | | | | | | | | | | | | | | | | | | | | | | | | | | | | | | | | | | | | | | |
| | | bits | | | | | | | | | | | | | | | | | | | | | | | | | | | | | | | | | | | | | | | | | | | | | | | | | | | | | | | | | | | | | | | | | | | | | | | | | | | | | | | | | | | | | | | | | | | | | | | | | | | | | | | | | | | | | | | | | | | |
| | Active Cell Connected | Sys Type: IS-856 | | | | | | | | | | | | | | | | | | | | | | | | | | | | | | | | | | | | | | | | | | | | | | | | | | | | | | | | | | | | | | | | | | | | | | | | | | | | | | | | | | | | | | | | | | | | | | | | | | | | | | | | | | | | | | | | | | | |
| 1 of 2 | IntRef Offset | PLSub2 FETAP | | | | | | | | | | | | | | | | | | | | | | | | | | | | | | | | | | | | | | | | | | | | | | | | | | | | | | | | | | | | | | | | | | | | | | | | | | | | | | | | | | | | | | | | | | | | | | | | | | | | | | | | | | | | | | | | | | | |
| | | 1 of 3 | | | | | | | | | | | | | | | | | | | | | | | | | | | | | | | | | | | | | | | | | | | | | | | | | | | | | | | | | | | | | | | | | | | | | | | | | | | | | | | | | | | | | | | | | | | | | | | | | | | | | | | | | | | | | | | | | | | |
| <table border="1"> <thead> <tr> <th colspan="2">Measurement/Instrument Screen</th> <th>Call Parm</th> </tr> </thead> <tbody> <tr> <td>Control</td> <td>Digital Average Power</td> <td>Cell Power</td> </tr> <tr> <td>Digital Average Power Setup</td> <td>Digital Average Power 23.54 dBm</td> <td>-104.00</td> </tr> <tr> <td></td> <td>Expected AT Power (Pre-Trans): ---- dBm/1.23 MHz</td> <td>dBm/1.23 MHz</td> </tr> <tr> <td></td> <td>Expected AT Power (Post-Trans): ---- dBm/1.23 MHz</td> <td>dBm/1.23 MHz</td> </tr> <tr> <td></td> <td>100 /100</td> <td>Cell Band</td> </tr> <tr> <td></td> <td>Single</td> <td>US Cellular</td> </tr> <tr> <td>Calibrate Digital Avg Pur</td> <td></td> <td>Channel</td> </tr> <tr> <td></td> <td></td> <td>1013</td> </tr> <tr> <td></td> <td></td> <td>Application Config</td> </tr> <tr> <td></td> <td></td> <td>F-Traffic Format</td> </tr> <tr> <td></td> <td></td> <td>E (5120,1.64)</td> </tr> <tr> <td></td> <td></td> <td>(3072.0k,16-QAM)</td> </tr> <tr> <td></td> <td></td> <td>R-Data Pkt Size</td> </tr> <tr> <td></td> <td></td> <td>4096</td> </tr> <tr> <td></td> <td></td> <td>bits</td> </tr> <tr> <td></td> <td>Active Cell Connected</td> <td>Sys Type: IS-856</td> </tr> <tr> <td>1 of 2</td> <td>IntRef Offset</td> <td>PLSub2 FETAP</td> </tr> <tr> <td></td> <td></td> <td>1 of 3</td> </tr> </tbody> </table> <p style="text-align: center;">FETAP / 3072 k</p> | | Measurement/Instrument Screen | | Call Parm | Control | Digital Average Power | Cell Power | Digital Average Power Setup | Digital Average Power 23.54 dBm | -104.00 | | Expected AT Power (Pre-Trans): ---- dBm/1.23 MHz | dBm/1.23 MHz | | Expected AT Power (Post-Trans): ---- dBm/1.23 MHz | dBm/1.23 MHz | | 100 /100 | Cell Band | | Single | US Cellular | Calibrate Digital Avg Pur | | Channel | | | 1013 | | | Application Config | | | F-Traffic Format | | | E (5120,1.64) | | | (3072.0k,16-QAM) | | | R-Data Pkt Size | | | 4096 | | | bits | | Active Cell Connected | Sys Type: IS-856 | 1 of 2 | IntRef Offset | PLSub2 FETAP | | | 1 of 3 | <table border="1"> <thead> <tr> <th colspan="2">Measurement/Instrument Screen</th> <th>Call Parm</th> </tr> </thead> <tbody> <tr> <td>Control</td> <td>Digital Average Power</td> <td>Cell Power</td> </tr> <tr> <td>Digital Average Power Setup</td> <td>Digital Average Power 23.52 dBm</td> <td>-104.00</td> </tr> <tr> <td></td> <td>Expected AT Power (Pre-Trans): 23.00 dBm/1.23 MHz</td> <td>dBm/1.23 MHz</td> </tr> <tr> <td></td> <td>Expected AT Power (Post-Trans): 23.00 dBm/1.23 MHz</td> <td>dBm/1.23 MHz</td> </tr> <tr> <td></td> <td>100 /100</td> <td>Cell Band</td> </tr> <tr> <td></td> <td>Single</td> <td>US Cellular</td> </tr> <tr> <td>Calibrate Digital Avg Pur</td> <td></td> <td>Channel</td> </tr> <tr> <td></td> <td></td> <td>1013</td> </tr> <tr> <td></td> <td></td> <td>Application Config</td> </tr> <tr> <td></td> <td></td> <td>F-Traffic Format</td> </tr> <tr> <td></td> <td></td> <td>E (5120,1.64)</td> </tr> <tr> <td></td> <td></td> <td>(3072.0k,16-QAM)</td> </tr> <tr> <td></td> <td></td> <td>R-Data Pkt Size</td> </tr> <tr> <td></td> <td></td> <td>4096</td> </tr> <tr> <td></td> <td></td> <td>bits</td> </tr> <tr> <td></td> <td>Active Cell Connected</td> <td>Sys Type: IS-856</td> </tr> <tr> <td>1 of 2</td> <td>IntRef Offset</td> <td>PLSub2 RETAP</td> </tr> <tr> <td></td> <td></td> <td>1 of 3</td> </tr> </tbody> </table> <p style="text-align: center;">RETAP / 4096 b</p> | | Measurement/Instrument Screen | | Call Parm | Control | Digital Average Power | Cell Power | Digital Average Power Setup | Digital Average Power 23.52 dBm | -104.00 | | Expected AT Power (Pre-Trans): 23.00 dBm/1.23 MHz | dBm/1.23 MHz | | Expected AT Power (Post-Trans): 23.00 dBm/1.23 MHz | dBm/1.23 MHz | | 100 /100 | Cell Band | | Single | US Cellular | Calibrate Digital Avg Pur | | Channel | | | 1013 | | | Application Config | | | F-Traffic Format | | | E (5120,1.64) | | | (3072.0k,16-QAM) | | | R-Data Pkt Size | | | 4096 | | | bits | | Active Cell Connected | Sys Type: IS-856 | 1 of 2 | IntRef Offset | PLSub2 RETAP | | | 1 of 3 |
| Measurement/Instrument Screen | | Call Parm | | | | | | | | | | | | | | | | | | | | | | | | | | | | | | | | | | | | | | | | | | | | | | | | | | | | | | | | | | | | | | | | | | | | | | | | | | | | | | | | | | | | | | | | | | | | | | | | | | | | | | | | | | | | | | | | | | | |
| Control | Digital Average Power | Cell Power | | | | | | | | | | | | | | | | | | | | | | | | | | | | | | | | | | | | | | | | | | | | | | | | | | | | | | | | | | | | | | | | | | | | | | | | | | | | | | | | | | | | | | | | | | | | | | | | | | | | | | | | | | | | | | | | | | | |
| Digital Average Power Setup | Digital Average Power 23.54 dBm | -104.00 | | | | | | | | | | | | | | | | | | | | | | | | | | | | | | | | | | | | | | | | | | | | | | | | | | | | | | | | | | | | | | | | | | | | | | | | | | | | | | | | | | | | | | | | | | | | | | | | | | | | | | | | | | | | | | | | | | | |
| | Expected AT Power (Pre-Trans): ---- dBm/1.23 MHz | dBm/1.23 MHz | | | | | | | | | | | | | | | | | | | | | | | | | | | | | | | | | | | | | | | | | | | | | | | | | | | | | | | | | | | | | | | | | | | | | | | | | | | | | | | | | | | | | | | | | | | | | | | | | | | | | | | | | | | | | | | | | | | |
| | Expected AT Power (Post-Trans): ---- dBm/1.23 MHz | dBm/1.23 MHz | | | | | | | | | | | | | | | | | | | | | | | | | | | | | | | | | | | | | | | | | | | | | | | | | | | | | | | | | | | | | | | | | | | | | | | | | | | | | | | | | | | | | | | | | | | | | | | | | | | | | | | | | | | | | | | | | | | |
| | 100 /100 | Cell Band | | | | | | | | | | | | | | | | | | | | | | | | | | | | | | | | | | | | | | | | | | | | | | | | | | | | | | | | | | | | | | | | | | | | | | | | | | | | | | | | | | | | | | | | | | | | | | | | | | | | | | | | | | | | | | | | | | | |
| | Single | US Cellular | | | | | | | | | | | | | | | | | | | | | | | | | | | | | | | | | | | | | | | | | | | | | | | | | | | | | | | | | | | | | | | | | | | | | | | | | | | | | | | | | | | | | | | | | | | | | | | | | | | | | | | | | | | | | | | | | | | |
| Calibrate Digital Avg Pur | | Channel | | | | | | | | | | | | | | | | | | | | | | | | | | | | | | | | | | | | | | | | | | | | | | | | | | | | | | | | | | | | | | | | | | | | | | | | | | | | | | | | | | | | | | | | | | | | | | | | | | | | | | | | | | | | | | | | | | | |
| | | 1013 | | | | | | | | | | | | | | | | | | | | | | | | | | | | | | | | | | | | | | | | | | | | | | | | | | | | | | | | | | | | | | | | | | | | | | | | | | | | | | | | | | | | | | | | | | | | | | | | | | | | | | | | | | | | | | | | | | | |
| | | Application Config | | | | | | | | | | | | | | | | | | | | | | | | | | | | | | | | | | | | | | | | | | | | | | | | | | | | | | | | | | | | | | | | | | | | | | | | | | | | | | | | | | | | | | | | | | | | | | | | | | | | | | | | | | | | | | | | | | | |
| | | F-Traffic Format | | | | | | | | | | | | | | | | | | | | | | | | | | | | | | | | | | | | | | | | | | | | | | | | | | | | | | | | | | | | | | | | | | | | | | | | | | | | | | | | | | | | | | | | | | | | | | | | | | | | | | | | | | | | | | | | | | | |
| | | E (5120,1.64) | | | | | | | | | | | | | | | | | | | | | | | | | | | | | | | | | | | | | | | | | | | | | | | | | | | | | | | | | | | | | | | | | | | | | | | | | | | | | | | | | | | | | | | | | | | | | | | | | | | | | | | | | | | | | | | | | | | |
| | | (3072.0k,16-QAM) | | | | | | | | | | | | | | | | | | | | | | | | | | | | | | | | | | | | | | | | | | | | | | | | | | | | | | | | | | | | | | | | | | | | | | | | | | | | | | | | | | | | | | | | | | | | | | | | | | | | | | | | | | | | | | | | | | | |
| | | R-Data Pkt Size | | | | | | | | | | | | | | | | | | | | | | | | | | | | | | | | | | | | | | | | | | | | | | | | | | | | | | | | | | | | | | | | | | | | | | | | | | | | | | | | | | | | | | | | | | | | | | | | | | | | | | | | | | | | | | | | | | | |
| | | 4096 | | | | | | | | | | | | | | | | | | | | | | | | | | | | | | | | | | | | | | | | | | | | | | | | | | | | | | | | | | | | | | | | | | | | | | | | | | | | | | | | | | | | | | | | | | | | | | | | | | | | | | | | | | | | | | | | | | | |
| | | bits | | | | | | | | | | | | | | | | | | | | | | | | | | | | | | | | | | | | | | | | | | | | | | | | | | | | | | | | | | | | | | | | | | | | | | | | | | | | | | | | | | | | | | | | | | | | | | | | | | | | | | | | | | | | | | | | | | | |
| | Active Cell Connected | Sys Type: IS-856 | | | | | | | | | | | | | | | | | | | | | | | | | | | | | | | | | | | | | | | | | | | | | | | | | | | | | | | | | | | | | | | | | | | | | | | | | | | | | | | | | | | | | | | | | | | | | | | | | | | | | | | | | | | | | | | | | | | |
| 1 of 2 | IntRef Offset | PLSub2 FETAP | | | | | | | | | | | | | | | | | | | | | | | | | | | | | | | | | | | | | | | | | | | | | | | | | | | | | | | | | | | | | | | | | | | | | | | | | | | | | | | | | | | | | | | | | | | | | | | | | | | | | | | | | | | | | | | | | | | |
| | | 1 of 3 | | | | | | | | | | | | | | | | | | | | | | | | | | | | | | | | | | | | | | | | | | | | | | | | | | | | | | | | | | | | | | | | | | | | | | | | | | | | | | | | | | | | | | | | | | | | | | | | | | | | | | | | | | | | | | | | | | | |
| Measurement/Instrument Screen | | Call Parm | | | | | | | | | | | | | | | | | | | | | | | | | | | | | | | | | | | | | | | | | | | | | | | | | | | | | | | | | | | | | | | | | | | | | | | | | | | | | | | | | | | | | | | | | | | | | | | | | | | | | | | | | | | | | | | | | | | |
| Control | Digital Average Power | Cell Power | | | | | | | | | | | | | | | | | | | | | | | | | | | | | | | | | | | | | | | | | | | | | | | | | | | | | | | | | | | | | | | | | | | | | | | | | | | | | | | | | | | | | | | | | | | | | | | | | | | | | | | | | | | | | | | | | | | |
| Digital Average Power Setup | Digital Average Power 23.52 dBm | -104.00 | | | | | | | | | | | | | | | | | | | | | | | | | | | | | | | | | | | | | | | | | | | | | | | | | | | | | | | | | | | | | | | | | | | | | | | | | | | | | | | | | | | | | | | | | | | | | | | | | | | | | | | | | | | | | | | | | | | |
| | Expected AT Power (Pre-Trans): 23.00 dBm/1.23 MHz | dBm/1.23 MHz | | | | | | | | | | | | | | | | | | | | | | | | | | | | | | | | | | | | | | | | | | | | | | | | | | | | | | | | | | | | | | | | | | | | | | | | | | | | | | | | | | | | | | | | | | | | | | | | | | | | | | | | | | | | | | | | | | | |
| | Expected AT Power (Post-Trans): 23.00 dBm/1.23 MHz | dBm/1.23 MHz | | | | | | | | | | | | | | | | | | | | | | | | | | | | | | | | | | | | | | | | | | | | | | | | | | | | | | | | | | | | | | | | | | | | | | | | | | | | | | | | | | | | | | | | | | | | | | | | | | | | | | | | | | | | | | | | | | | |
| | 100 /100 | Cell Band | | | | | | | | | | | | | | | | | | | | | | | | | | | | | | | | | | | | | | | | | | | | | | | | | | | | | | | | | | | | | | | | | | | | | | | | | | | | | | | | | | | | | | | | | | | | | | | | | | | | | | | | | | | | | | | | | | | |
| | Single | US Cellular | | | | | | | | | | | | | | | | | | | | | | | | | | | | | | | | | | | | | | | | | | | | | | | | | | | | | | | | | | | | | | | | | | | | | | | | | | | | | | | | | | | | | | | | | | | | | | | | | | | | | | | | | | | | | | | | | | | |
| Calibrate Digital Avg Pur | | Channel | | | | | | | | | | | | | | | | | | | | | | | | | | | | | | | | | | | | | | | | | | | | | | | | | | | | | | | | | | | | | | | | | | | | | | | | | | | | | | | | | | | | | | | | | | | | | | | | | | | | | | | | | | | | | | | | | | | |
| | | 1013 | | | | | | | | | | | | | | | | | | | | | | | | | | | | | | | | | | | | | | | | | | | | | | | | | | | | | | | | | | | | | | | | | | | | | | | | | | | | | | | | | | | | | | | | | | | | | | | | | | | | | | | | | | | | | | | | | | | |
| | | Application Config | | | | | | | | | | | | | | | | | | | | | | | | | | | | | | | | | | | | | | | | | | | | | | | | | | | | | | | | | | | | | | | | | | | | | | | | | | | | | | | | | | | | | | | | | | | | | | | | | | | | | | | | | | | | | | | | | | | |
| | | F-Traffic Format | | | | | | | | | | | | | | | | | | | | | | | | | | | | | | | | | | | | | | | | | | | | | | | | | | | | | | | | | | | | | | | | | | | | | | | | | | | | | | | | | | | | | | | | | | | | | | | | | | | | | | | | | | | | | | | | | | | |
| | | E (5120,1.64) | | | | | | | | | | | | | | | | | | | | | | | | | | | | | | | | | | | | | | | | | | | | | | | | | | | | | | | | | | | | | | | | | | | | | | | | | | | | | | | | | | | | | | | | | | | | | | | | | | | | | | | | | | | | | | | | | | | |
| | | (3072.0k,16-QAM) | | | | | | | | | | | | | | | | | | | | | | | | | | | | | | | | | | | | | | | | | | | | | | | | | | | | | | | | | | | | | | | | | | | | | | | | | | | | | | | | | | | | | | | | | | | | | | | | | | | | | | | | | | | | | | | | | | | |
| | | R-Data Pkt Size | | | | | | | | | | | | | | | | | | | | | | | | | | | | | | | | | | | | | | | | | | | | | | | | | | | | | | | | | | | | | | | | | | | | | | | | | | | | | | | | | | | | | | | | | | | | | | | | | | | | | | | | | | | | | | | | | | | |
| | | 4096 | | | | | | | | | | | | | | | | | | | | | | | | | | | | | | | | | | | | | | | | | | | | | | | | | | | | | | | | | | | | | | | | | | | | | | | | | | | | | | | | | | | | | | | | | | | | | | | | | | | | | | | | | | | | | | | | | | | |
| | | bits | | | | | | | | | | | | | | | | | | | | | | | | | | | | | | | | | | | | | | | | | | | | | | | | | | | | | | | | | | | | | | | | | | | | | | | | | | | | | | | | | | | | | | | | | | | | | | | | | | | | | | | | | | | | | | | | | | | |
| | Active Cell Connected | Sys Type: IS-856 | | | | | | | | | | | | | | | | | | | | | | | | | | | | | | | | | | | | | | | | | | | | | | | | | | | | | | | | | | | | | | | | | | | | | | | | | | | | | | | | | | | | | | | | | | | | | | | | | | | | | | | | | | | | | | | | | | | |
| 1 of 2 | IntRef Offset | PLSub2 RETAP | | | | | | | | | | | | | | | | | | | | | | | | | | | | | | | | | | | | | | | | | | | | | | | | | | | | | | | | | | | | | | | | | | | | | | | | | | | | | | | | | | | | | | | | | | | | | | | | | | | | | | | | | | | | | | | | | | | |
| | | 1 of 3 | | | | | | | | | | | | | | | | | | | | | | | | | | | | | | | | | | | | | | | | | | | | | | | | | | | | | | | | | | | | | | | | | | | | | | | | | | | | | | | | | | | | | | | | | | | | | | | | | | | | | | | | | | | | | | | | | | | |

* CH:384 (836.52 MHz)

| Measurement/Instrument Screen | | | |
|-------------------------------|---|----------------------------|---------------|
| Control | Digital Average Power | Call Params | |
| Digital Average Power Setup ▾ | <p>Digital Average Power 23.87 dBm</p> <p>Expected Mobile Power: 23.00 dBm/1.23 MHz</p> <p>100 /100 Single</p> | Cell Power | -104.00 |
| | | dBm/1.23 MHz | |
| | | Cell Band | US Cellular |
| | | Channel | 384 |
| Calibrate Digital Avg Pur | | Protocol Rev | 6 (IS-2000-0) |
| | | Radio Config | (Fud1, Rvs1) |
| | | S055 (Loopback) | |
| | | FCH Service Option Setup ▾ | |
| | | Active Cell | Connected |
| | | Sys Type: IS-2000 | |
| 1 of 2 | IntRef Offset | | 1 of 4 |

RC1 / SO55

| Measurement/Instrument Screen | | | |
|-------------------------------|---|----------------------------|---------------|
| Control | Digital Average Power | Call Params | |
| Digital Average Power Setup ▾ | <p>Digital Average Power 23.78 dBm</p> <p>Expected Mobile Power: 23.00 dBm/1.23 MHz</p> <p>100 /100 Single</p> | Cell Power | -104.00 |
| | | dBm/1.23 MHz | |
| | | Cell Band | US Cellular |
| | | Channel | 384 |
| Calibrate Digital Avg Pur | | Protocol Rev | 6 (IS-2000-0) |
| | | Radio Config | (Fud3, Rvs3) |
| | | S055 (Loopback) | |
| | | FCH Service Option Setup ▾ | |
| | | Active Cell | Connected |
| | | Sys Type: IS-2000 | |
| 1 of 2 | IntRef Offset | | 1 of 4 |

RC3 / SO55

| Measurement/Instrument Screen | | | |
|-------------------------------|--|----------------------------|------------------|
| Control | Digital Average Power | Call Params | |
| Digital Average Power Setup ▾ | <p>Digital Average Power 23.99 dBm</p> <p>Expected Mobile Power: ---- dBm/1.23 MHz</p> <p>100 /100 Single</p> | Cell Power | -104.00 |
| | | dBm/1.23 MHz | |
| | | Cell Band | US Cellular |
| | | Channel | 384 |
| Calibrate Digital Avg Pur | | Protocol Rev | 6 (IS-2000-0) |
| | | Radio Config | (Fud3, Rvs3) |
| | | S032 (+ F-SCH) | |
| | | FCH Service Option Setup ▾ | |
| | | Active Cell | Connected + Data |
| | | Sys Type: IS-2000 | |
| 1 of 2 | IntRef Offset | | 1 of 4 |

RC3 / SO32+F-SCH

| Measurement/Instrument Screen | | | |
|-------------------------------|--|----------------------------|------------------|
| Control | Digital Average Power | Call Params | |
| Digital Average Power Setup ▾ | <p>Digital Average Power 23.88 dBm</p> <p>Expected Mobile Power: ---- dBm/1.23 MHz</p> <p>100 /100 Single</p> | Cell Power | -104.00 |
| | | dBm/1.23 MHz | |
| | | Cell Band | US Cellular |
| | | Channel | 384 |
| Calibrate Digital Avg Pur | | Protocol Rev | 6 (IS-2000-0) |
| | | Radio Config | (Fud3, Rvs3) |
| | | S032 (+ SCH) | |
| | | FCH Service Option Setup ▾ | |
| | | Active Cell | Connected + Data |
| | | Sys Type: IS-2000 | |
| 1 of 2 | IntRef Offset | | 1 of 4 |

RC3 / SO32+SCH

| Measurement/Instrument Screen | | | |
|-------------------------------|---|----------------------|-------------|
| Control | Digital Average Power | Call Params | |
| Digital Average Power Setup ▾ | <p>Digital Average Power 24.58 dBm</p> <p>Expected Access Terminal Power: ---- dBm/1.23 MHz</p> <p>100 /100 Single</p> | Cell Power | -104.00 |
| | | dBm/1.23 MHz | |
| | | Cell Band | US Cellular |
| | | Channel | 384 |
| Calibrate Digital Avg Pur | | Application Config ▾ | |
| | | FTAP Rate | 1228.8 kbps |
| | | (1 Slot, QPSK) | |
| | | RTAP Rate | 9.6 kbps |
| | | Active Cell | Connected |
| | | Sys Type: IS-856 | |
| 1 of 2 | IntRef Offset | PLSub0 FTAP | 1 of 3 |

FTAP / 1228.8 k

| Measurement/Instrument Screen | | | |
|-------------------------------|---|----------------------|-------------|
| Control | Digital Average Power | Call Params | |
| Digital Average Power Setup ▾ | <p>Digital Average Power 24.42 dBm</p> <p>Expected Access Terminal Power: ---- dBm/1.23 MHz</p> <p>100 /100 Single</p> | Cell Power | -104.00 |
| | | dBm/1.23 MHz | |
| | | Cell Band | US Cellular |
| | | Channel | 384 |
| Calibrate Digital Avg Pur | | Application Config ▾ | |
| | | FTAP Rate | 1843.2 kbps |
| | | (1 Slot, 8-PSK) | |
| | | RTAP Rate | 9.6 kbps |
| | | Active Cell | Connected |
| | | Sys Type: IS-856 | |
| 1 of 2 | IntRef Offset | PLSub0 FTAP | 1 of 3 |

FTAP / 1843.2 k

* CH:384 (836.52 MHz)

| <table border="1"> <thead> <tr> <th colspan="2">Measurement/Instrument Screen</th> <th>Call Parm</th> </tr> </thead> <tbody> <tr> <td>Control</td> <td>Digital Average Power</td> <td>Cell Power</td> </tr> <tr> <td>Digital Average Power Setup</td> <td>Digital Average Power 24.53 dBm</td> <td>-104.00</td> </tr> <tr> <td></td> <td>Expected Access Terminal Power: ---- dBm/1.23 MHz</td> <td>dBm/1.23 MHz</td> </tr> <tr> <td></td> <td>100 /100</td> <td>Cell Band</td> </tr> <tr> <td></td> <td>Single</td> <td>US Cellular</td> </tr> <tr> <td>Calibrate Digital Avg Pur</td> <td></td> <td>Channel</td> </tr> <tr> <td></td> <td></td> <td>384</td> </tr> <tr> <td></td> <td></td> <td>Application Config</td> </tr> <tr> <td></td> <td></td> <td>FTAP Rate</td> </tr> <tr> <td></td> <td></td> <td>2457.6 kbps</td> </tr> <tr> <td></td> <td></td> <td>(1 Slot, 16-QAM)</td> </tr> <tr> <td></td> <td></td> <td>RTAP Rate</td> </tr> <tr> <td></td> <td></td> <td>9.6 kbps</td> </tr> <tr> <td></td> <td>Active Cell Connected</td> <td>Sys Type: IS-856</td> </tr> <tr> <td>1 of 2</td> <td>IntRef Offset</td> <td>PLSub2 FTAP</td> </tr> <tr> <td></td> <td></td> <td>1 of 3</td> </tr> </tbody> </table> <p style="text-align: center;">FTAP / 2457.6 k</p> | | Measurement/Instrument Screen | | Call Parm | Control | Digital Average Power | Cell Power | Digital Average Power Setup | Digital Average Power 24.53 dBm | -104.00 | | Expected Access Terminal Power: ---- dBm/1.23 MHz | dBm/1.23 MHz | | 100 /100 | Cell Band | | Single | US Cellular | Calibrate Digital Avg Pur | | Channel | | | 384 | | | Application Config | | | FTAP Rate | | | 2457.6 kbps | | | (1 Slot, 16-QAM) | | | RTAP Rate | | | 9.6 kbps | | Active Cell Connected | Sys Type: IS-856 | 1 of 2 | IntRef Offset | PLSub2 FTAP | | | 1 of 3 | <table border="1"> <thead> <tr> <th colspan="2">Measurement/Instrument Screen</th> <th>Call Parm</th> </tr> </thead> <tbody> <tr> <td>Control</td> <td>Digital Average Power</td> <td>Cell Power</td> </tr> <tr> <td>Digital Average Power Setup</td> <td>Digital Average Power 24.85 dBm</td> <td>-104.00</td> </tr> <tr> <td></td> <td>Expected Access Terminal Power: 23.00 dBm/1.23 MHz</td> <td>dBm/1.23 MHz</td> </tr> <tr> <td></td> <td>100 /100</td> <td>Cell Band</td> </tr> <tr> <td></td> <td>Single</td> <td>US Cellular</td> </tr> <tr> <td>Calibrate Digital Avg Pur</td> <td></td> <td>Channel</td> </tr> <tr> <td></td> <td></td> <td>384</td> </tr> <tr> <td></td> <td></td> <td>Application Config</td> </tr> <tr> <td></td> <td></td> <td>FTAP Rate</td> </tr> <tr> <td></td> <td></td> <td>307.2 kbps</td> </tr> <tr> <td></td> <td></td> <td>(2 Slot, QPSK)</td> </tr> <tr> <td></td> <td></td> <td>RTAP Rate</td> </tr> <tr> <td></td> <td></td> <td>153.6 kbps</td> </tr> <tr> <td></td> <td>Active Cell Connected</td> <td>Sys Type: IS-856</td> </tr> <tr> <td>1 of 2</td> <td>IntRef Offset</td> <td>PLSub2 RTAP</td> </tr> <tr> <td></td> <td></td> <td>1 of 3</td> </tr> </tbody> </table> <p style="text-align: center;">RTAP / 153.6 k</p> | | Measurement/Instrument Screen | | Call Parm | Control | Digital Average Power | Cell Power | Digital Average Power Setup | Digital Average Power 24.85 dBm | -104.00 | | Expected Access Terminal Power: 23.00 dBm/1.23 MHz | dBm/1.23 MHz | | 100 /100 | Cell Band | | Single | US Cellular | Calibrate Digital Avg Pur | | Channel | | | 384 | | | Application Config | | | FTAP Rate | | | 307.2 kbps | | | (2 Slot, QPSK) | | | RTAP Rate | | | 153.6 kbps | | Active Cell Connected | Sys Type: IS-856 | 1 of 2 | IntRef Offset | PLSub2 RTAP | | | 1 of 3 | | | | | | | | | | | | |
|--|--|-------------------------------|--|-----------|---------|-----------------------|------------|-----------------------------|---|---------|--|---|--------------|--|---|--------------|--|----------|-------------|---------------------------|--------|-------------|---------------------------|--|---------|--|--|--------------------|--|--|--------------------|--|--|------------------|--|--|------------------|--|--|------------------|--|--|-----------------|--|-----------------------|------------------|--------|---------------|-------------|--|-----------------------|------------------|---|---------------|-------------------------------|--|-----------|---------|---|------------|-------------------------------|---|-----------|---------|--|--------------|-----------------------------|---|-----------|--|---|--------------|---------------------------|--|--------------|--|----------|-----------|--|--------|--------------------|---------------------------|--|-----------|--|--|------------|--|--|--------------------|--|--|------------------|--|--|---------------|--|-----------------------|------------------|--------|---------------|-----------------|--|--|--------|--|--|------|--|-----------------------|------------------|--------|---------------|--------------|--|--|--------|
| Measurement/Instrument Screen | | Call Parm | | | | | | | | | | | | | | | | | | | | | | | | | | | | | | | | | | | | | | | | | | | | | | | | | | | | | | | | | | | | | | | | | | | | | | | | | | | | | | | | | | | | | | | | | | | | | | | | | | | | | | | | | | | | | | | | | | | |
| Control | Digital Average Power | Cell Power | | | | | | | | | | | | | | | | | | | | | | | | | | | | | | | | | | | | | | | | | | | | | | | | | | | | | | | | | | | | | | | | | | | | | | | | | | | | | | | | | | | | | | | | | | | | | | | | | | | | | | | | | | | | | | | | | | | |
| Digital Average Power Setup | Digital Average Power 24.53 dBm | -104.00 | | | | | | | | | | | | | | | | | | | | | | | | | | | | | | | | | | | | | | | | | | | | | | | | | | | | | | | | | | | | | | | | | | | | | | | | | | | | | | | | | | | | | | | | | | | | | | | | | | | | | | | | | | | | | | | | | | | |
| | Expected Access Terminal Power: ---- dBm/1.23 MHz | dBm/1.23 MHz | | | | | | | | | | | | | | | | | | | | | | | | | | | | | | | | | | | | | | | | | | | | | | | | | | | | | | | | | | | | | | | | | | | | | | | | | | | | | | | | | | | | | | | | | | | | | | | | | | | | | | | | | | | | | | | | | | | |
| | 100 /100 | Cell Band | | | | | | | | | | | | | | | | | | | | | | | | | | | | | | | | | | | | | | | | | | | | | | | | | | | | | | | | | | | | | | | | | | | | | | | | | | | | | | | | | | | | | | | | | | | | | | | | | | | | | | | | | | | | | | | | | | | |
| | Single | US Cellular | | | | | | | | | | | | | | | | | | | | | | | | | | | | | | | | | | | | | | | | | | | | | | | | | | | | | | | | | | | | | | | | | | | | | | | | | | | | | | | | | | | | | | | | | | | | | | | | | | | | | | | | | | | | | | | | | | | |
| Calibrate Digital Avg Pur | | Channel | | | | | | | | | | | | | | | | | | | | | | | | | | | | | | | | | | | | | | | | | | | | | | | | | | | | | | | | | | | | | | | | | | | | | | | | | | | | | | | | | | | | | | | | | | | | | | | | | | | | | | | | | | | | | | | | | | | |
| | | 384 | | | | | | | | | | | | | | | | | | | | | | | | | | | | | | | | | | | | | | | | | | | | | | | | | | | | | | | | | | | | | | | | | | | | | | | | | | | | | | | | | | | | | | | | | | | | | | | | | | | | | | | | | | | | | | | | | | | |
| | | Application Config | | | | | | | | | | | | | | | | | | | | | | | | | | | | | | | | | | | | | | | | | | | | | | | | | | | | | | | | | | | | | | | | | | | | | | | | | | | | | | | | | | | | | | | | | | | | | | | | | | | | | | | | | | | | | | | | | | | |
| | | FTAP Rate | | | | | | | | | | | | | | | | | | | | | | | | | | | | | | | | | | | | | | | | | | | | | | | | | | | | | | | | | | | | | | | | | | | | | | | | | | | | | | | | | | | | | | | | | | | | | | | | | | | | | | | | | | | | | | | | | | | |
| | | 2457.6 kbps | | | | | | | | | | | | | | | | | | | | | | | | | | | | | | | | | | | | | | | | | | | | | | | | | | | | | | | | | | | | | | | | | | | | | | | | | | | | | | | | | | | | | | | | | | | | | | | | | | | | | | | | | | | | | | | | | | | |
| | | (1 Slot, 16-QAM) | | | | | | | | | | | | | | | | | | | | | | | | | | | | | | | | | | | | | | | | | | | | | | | | | | | | | | | | | | | | | | | | | | | | | | | | | | | | | | | | | | | | | | | | | | | | | | | | | | | | | | | | | | | | | | | | | | | |
| | | RTAP Rate | | | | | | | | | | | | | | | | | | | | | | | | | | | | | | | | | | | | | | | | | | | | | | | | | | | | | | | | | | | | | | | | | | | | | | | | | | | | | | | | | | | | | | | | | | | | | | | | | | | | | | | | | | | | | | | | | | | |
| | | 9.6 kbps | | | | | | | | | | | | | | | | | | | | | | | | | | | | | | | | | | | | | | | | | | | | | | | | | | | | | | | | | | | | | | | | | | | | | | | | | | | | | | | | | | | | | | | | | | | | | | | | | | | | | | | | | | | | | | | | | | | |
| | Active Cell Connected | Sys Type: IS-856 | | | | | | | | | | | | | | | | | | | | | | | | | | | | | | | | | | | | | | | | | | | | | | | | | | | | | | | | | | | | | | | | | | | | | | | | | | | | | | | | | | | | | | | | | | | | | | | | | | | | | | | | | | | | | | | | | | | |
| 1 of 2 | IntRef Offset | PLSub2 FTAP | | | | | | | | | | | | | | | | | | | | | | | | | | | | | | | | | | | | | | | | | | | | | | | | | | | | | | | | | | | | | | | | | | | | | | | | | | | | | | | | | | | | | | | | | | | | | | | | | | | | | | | | | | | | | | | | | | | |
| | | 1 of 3 | | | | | | | | | | | | | | | | | | | | | | | | | | | | | | | | | | | | | | | | | | | | | | | | | | | | | | | | | | | | | | | | | | | | | | | | | | | | | | | | | | | | | | | | | | | | | | | | | | | | | | | | | | | | | | | | | | | |
| Measurement/Instrument Screen | | Call Parm | | | | | | | | | | | | | | | | | | | | | | | | | | | | | | | | | | | | | | | | | | | | | | | | | | | | | | | | | | | | | | | | | | | | | | | | | | | | | | | | | | | | | | | | | | | | | | | | | | | | | | | | | | | | | | | | | | | |
| Control | Digital Average Power | Cell Power | | | | | | | | | | | | | | | | | | | | | | | | | | | | | | | | | | | | | | | | | | | | | | | | | | | | | | | | | | | | | | | | | | | | | | | | | | | | | | | | | | | | | | | | | | | | | | | | | | | | | | | | | | | | | | | | | | | |
| Digital Average Power Setup | Digital Average Power 24.85 dBm | -104.00 | | | | | | | | | | | | | | | | | | | | | | | | | | | | | | | | | | | | | | | | | | | | | | | | | | | | | | | | | | | | | | | | | | | | | | | | | | | | | | | | | | | | | | | | | | | | | | | | | | | | | | | | | | | | | | | | | | | |
| | Expected Access Terminal Power: 23.00 dBm/1.23 MHz | dBm/1.23 MHz | | | | | | | | | | | | | | | | | | | | | | | | | | | | | | | | | | | | | | | | | | | | | | | | | | | | | | | | | | | | | | | | | | | | | | | | | | | | | | | | | | | | | | | | | | | | | | | | | | | | | | | | | | | | | | | | | | | |
| | 100 /100 | Cell Band | | | | | | | | | | | | | | | | | | | | | | | | | | | | | | | | | | | | | | | | | | | | | | | | | | | | | | | | | | | | | | | | | | | | | | | | | | | | | | | | | | | | | | | | | | | | | | | | | | | | | | | | | | | | | | | | | | | |
| | Single | US Cellular | | | | | | | | | | | | | | | | | | | | | | | | | | | | | | | | | | | | | | | | | | | | | | | | | | | | | | | | | | | | | | | | | | | | | | | | | | | | | | | | | | | | | | | | | | | | | | | | | | | | | | | | | | | | | | | | | | | |
| Calibrate Digital Avg Pur | | Channel | | | | | | | | | | | | | | | | | | | | | | | | | | | | | | | | | | | | | | | | | | | | | | | | | | | | | | | | | | | | | | | | | | | | | | | | | | | | | | | | | | | | | | | | | | | | | | | | | | | | | | | | | | | | | | | | | | | |
| | | 384 | | | | | | | | | | | | | | | | | | | | | | | | | | | | | | | | | | | | | | | | | | | | | | | | | | | | | | | | | | | | | | | | | | | | | | | | | | | | | | | | | | | | | | | | | | | | | | | | | | | | | | | | | | | | | | | | | | | |
| | | Application Config | | | | | | | | | | | | | | | | | | | | | | | | | | | | | | | | | | | | | | | | | | | | | | | | | | | | | | | | | | | | | | | | | | | | | | | | | | | | | | | | | | | | | | | | | | | | | | | | | | | | | | | | | | | | | | | | | | | |
| | | FTAP Rate | | | | | | | | | | | | | | | | | | | | | | | | | | | | | | | | | | | | | | | | | | | | | | | | | | | | | | | | | | | | | | | | | | | | | | | | | | | | | | | | | | | | | | | | | | | | | | | | | | | | | | | | | | | | | | | | | | | |
| | | 307.2 kbps | | | | | | | | | | | | | | | | | | | | | | | | | | | | | | | | | | | | | | | | | | | | | | | | | | | | | | | | | | | | | | | | | | | | | | | | | | | | | | | | | | | | | | | | | | | | | | | | | | | | | | | | | | | | | | | | | | | |
| | | (2 Slot, QPSK) | | | | | | | | | | | | | | | | | | | | | | | | | | | | | | | | | | | | | | | | | | | | | | | | | | | | | | | | | | | | | | | | | | | | | | | | | | | | | | | | | | | | | | | | | | | | | | | | | | | | | | | | | | | | | | | | | | | |
| | | RTAP Rate | | | | | | | | | | | | | | | | | | | | | | | | | | | | | | | | | | | | | | | | | | | | | | | | | | | | | | | | | | | | | | | | | | | | | | | | | | | | | | | | | | | | | | | | | | | | | | | | | | | | | | | | | | | | | | | | | | | |
| | | 153.6 kbps | | | | | | | | | | | | | | | | | | | | | | | | | | | | | | | | | | | | | | | | | | | | | | | | | | | | | | | | | | | | | | | | | | | | | | | | | | | | | | | | | | | | | | | | | | | | | | | | | | | | | | | | | | | | | | | | | | | |
| | Active Cell Connected | Sys Type: IS-856 | | | | | | | | | | | | | | | | | | | | | | | | | | | | | | | | | | | | | | | | | | | | | | | | | | | | | | | | | | | | | | | | | | | | | | | | | | | | | | | | | | | | | | | | | | | | | | | | | | | | | | | | | | | | | | | | | | | |
| 1 of 2 | IntRef Offset | PLSub2 RTAP | | | | | | | | | | | | | | | | | | | | | | | | | | | | | | | | | | | | | | | | | | | | | | | | | | | | | | | | | | | | | | | | | | | | | | | | | | | | | | | | | | | | | | | | | | | | | | | | | | | | | | | | | | | | | | | | | | | |
| | | 1 of 3 | | | | | | | | | | | | | | | | | | | | | | | | | | | | | | | | | | | | | | | | | | | | | | | | | | | | | | | | | | | | | | | | | | | | | | | | | | | | | | | | | | | | | | | | | | | | | | | | | | | | | | | | | | | | | | | | | | | |
| <table border="1"> <thead> <tr> <th colspan="2">Measurement/Instrument Screen</th> <th>Call Parm</th> </tr> </thead> <tbody> <tr> <td>Control</td> <td>Digital Average Power</td> <td>Cell Power</td> </tr> <tr> <td>Digital Average Power Setup</td> <td>Digital Average Power 23.38 dBm</td> <td>-104.00</td> </tr> <tr> <td></td> <td>Expected AT Power (Pre-Trans): ---- dBm/1.23 MHz</td> <td>dBm/1.23 MHz</td> </tr> <tr> <td></td> <td>Expected AT Power (Post-Trans): ---- dBm/1.23 MHz</td> <td>dBm/1.23 MHz</td> </tr> <tr> <td></td> <td>100 /100</td> <td>Cell Band</td> </tr> <tr> <td></td> <td>Single</td> <td>US Cellular</td> </tr> <tr> <td>Calibrate Digital Avg Pur</td> <td></td> <td>Channel</td> </tr> <tr> <td></td> <td></td> <td>384</td> </tr> <tr> <td></td> <td></td> <td>Application Config</td> </tr> <tr> <td></td> <td></td> <td>F-Traffic Format</td> </tr> <tr> <td></td> <td></td> <td>9 (2048,1.64)</td> </tr> <tr> <td></td> <td></td> <td>(1228.8k, QPSK)</td> </tr> <tr> <td></td> <td></td> <td>R-Data Pkt Size</td> </tr> <tr> <td></td> <td></td> <td>4096</td> </tr> <tr> <td></td> <td></td> <td>bits</td> </tr> <tr> <td></td> <td>Active Cell Connected</td> <td>Sys Type: IS-856</td> </tr> <tr> <td>1 of 2</td> <td>IntRef Offset</td> <td>PLSub2 FETAP</td> </tr> <tr> <td></td> <td></td> <td>1 of 3</td> </tr> </tbody> </table> <p style="text-align: center;">FETAP / 1228.8 k</p> | | Measurement/Instrument Screen | | Call Parm | Control | Digital Average Power | Cell Power | Digital Average Power Setup | Digital Average Power 23.38 dBm | -104.00 | | Expected AT Power (Pre-Trans): ---- dBm/1.23 MHz | dBm/1.23 MHz | | Expected AT Power (Post-Trans): ---- dBm/1.23 MHz | dBm/1.23 MHz | | 100 /100 | Cell Band | | Single | US Cellular | Calibrate Digital Avg Pur | | Channel | | | 384 | | | Application Config | | | F-Traffic Format | | | 9 (2048,1.64) | | | (1228.8k, QPSK) | | | R-Data Pkt Size | | | 4096 | | | bits | | Active Cell Connected | Sys Type: IS-856 | 1 of 2 | IntRef Offset | PLSub2 FETAP | | | 1 of 3 | <table border="1"> <thead> <tr> <th colspan="2">Measurement/Instrument Screen</th> <th>Call Parm</th> </tr> </thead> <tbody> <tr> <td>Control</td> <td>Digital Average Power</td> <td>Cell Power</td> </tr> <tr> <td>Digital Average Power Setup</td> <td>Digital Average Power 23.63 dBm</td> <td>-104.00</td> </tr> <tr> <td></td> <td>Expected AT Power (Pre-Trans): ---- dBm/1.23 MHz</td> <td>dBm/1.23 MHz</td> </tr> <tr> <td></td> <td>Expected AT Power (Post-Trans): ---- dBm/1.23 MHz</td> <td>dBm/1.23 MHz</td> </tr> <tr> <td></td> <td>100 /100</td> <td>Cell Band</td> </tr> <tr> <td></td> <td>Single</td> <td>US Cellular</td> </tr> <tr> <td>Calibrate Digital Avg Pur</td> <td></td> <td>Channel</td> </tr> <tr> <td></td> <td></td> <td>384</td> </tr> <tr> <td></td> <td></td> <td>Application Config</td> </tr> <tr> <td></td> <td></td> <td>F-Traffic Format</td> </tr> <tr> <td></td> <td></td> <td>B (3072,1.64)</td> </tr> <tr> <td></td> <td></td> <td>(1843.2k, 8-PSK)</td> </tr> <tr> <td></td> <td></td> <td>R-Data Pkt Size</td> </tr> <tr> <td></td> <td></td> <td>4096</td> </tr> <tr> <td></td> <td></td> <td>bits</td> </tr> <tr> <td></td> <td>Active Cell Connected</td> <td>Sys Type: IS-856</td> </tr> <tr> <td>1 of 2</td> <td>IntRef Offset</td> <td>PLSub2 FETAP</td> </tr> <tr> <td></td> <td></td> <td>1 of 3</td> </tr> </tbody> </table> <p style="text-align: center;">FETAP / 1843.2 k</p> | | Measurement/Instrument Screen | | Call Parm | Control | Digital Average Power | Cell Power | Digital Average Power Setup | Digital Average Power 23.63 dBm | -104.00 | | Expected AT Power (Pre-Trans): ---- dBm/1.23 MHz | dBm/1.23 MHz | | Expected AT Power (Post-Trans): ---- dBm/1.23 MHz | dBm/1.23 MHz | | 100 /100 | Cell Band | | Single | US Cellular | Calibrate Digital Avg Pur | | Channel | | | 384 | | | Application Config | | | F-Traffic Format | | | B (3072,1.64) | | | (1843.2k, 8-PSK) | | | R-Data Pkt Size | | | 4096 | | | bits | | Active Cell Connected | Sys Type: IS-856 | 1 of 2 | IntRef Offset | PLSub2 FETAP | | | 1 of 3 |
| Measurement/Instrument Screen | | Call Parm | | | | | | | | | | | | | | | | | | | | | | | | | | | | | | | | | | | | | | | | | | | | | | | | | | | | | | | | | | | | | | | | | | | | | | | | | | | | | | | | | | | | | | | | | | | | | | | | | | | | | | | | | | | | | | | | | | | |
| Control | Digital Average Power | Cell Power | | | | | | | | | | | | | | | | | | | | | | | | | | | | | | | | | | | | | | | | | | | | | | | | | | | | | | | | | | | | | | | | | | | | | | | | | | | | | | | | | | | | | | | | | | | | | | | | | | | | | | | | | | | | | | | | | | | |
| Digital Average Power Setup | Digital Average Power 23.38 dBm | -104.00 | | | | | | | | | | | | | | | | | | | | | | | | | | | | | | | | | | | | | | | | | | | | | | | | | | | | | | | | | | | | | | | | | | | | | | | | | | | | | | | | | | | | | | | | | | | | | | | | | | | | | | | | | | | | | | | | | | | |
| | Expected AT Power (Pre-Trans): ---- dBm/1.23 MHz | dBm/1.23 MHz | | | | | | | | | | | | | | | | | | | | | | | | | | | | | | | | | | | | | | | | | | | | | | | | | | | | | | | | | | | | | | | | | | | | | | | | | | | | | | | | | | | | | | | | | | | | | | | | | | | | | | | | | | | | | | | | | | | |
| | Expected AT Power (Post-Trans): ---- dBm/1.23 MHz | dBm/1.23 MHz | | | | | | | | | | | | | | | | | | | | | | | | | | | | | | | | | | | | | | | | | | | | | | | | | | | | | | | | | | | | | | | | | | | | | | | | | | | | | | | | | | | | | | | | | | | | | | | | | | | | | | | | | | | | | | | | | | | |
| | 100 /100 | Cell Band | | | | | | | | | | | | | | | | | | | | | | | | | | | | | | | | | | | | | | | | | | | | | | | | | | | | | | | | | | | | | | | | | | | | | | | | | | | | | | | | | | | | | | | | | | | | | | | | | | | | | | | | | | | | | | | | | | | |
| | Single | US Cellular | | | | | | | | | | | | | | | | | | | | | | | | | | | | | | | | | | | | | | | | | | | | | | | | | | | | | | | | | | | | | | | | | | | | | | | | | | | | | | | | | | | | | | | | | | | | | | | | | | | | | | | | | | | | | | | | | | | |
| Calibrate Digital Avg Pur | | Channel | | | | | | | | | | | | | | | | | | | | | | | | | | | | | | | | | | | | | | | | | | | | | | | | | | | | | | | | | | | | | | | | | | | | | | | | | | | | | | | | | | | | | | | | | | | | | | | | | | | | | | | | | | | | | | | | | | | |
| | | 384 | | | | | | | | | | | | | | | | | | | | | | | | | | | | | | | | | | | | | | | | | | | | | | | | | | | | | | | | | | | | | | | | | | | | | | | | | | | | | | | | | | | | | | | | | | | | | | | | | | | | | | | | | | | | | | | | | | | |
| | | Application Config | | | | | | | | | | | | | | | | | | | | | | | | | | | | | | | | | | | | | | | | | | | | | | | | | | | | | | | | | | | | | | | | | | | | | | | | | | | | | | | | | | | | | | | | | | | | | | | | | | | | | | | | | | | | | | | | | | | |
| | | F-Traffic Format | | | | | | | | | | | | | | | | | | | | | | | | | | | | | | | | | | | | | | | | | | | | | | | | | | | | | | | | | | | | | | | | | | | | | | | | | | | | | | | | | | | | | | | | | | | | | | | | | | | | | | | | | | | | | | | | | | | |
| | | 9 (2048,1.64) | | | | | | | | | | | | | | | | | | | | | | | | | | | | | | | | | | | | | | | | | | | | | | | | | | | | | | | | | | | | | | | | | | | | | | | | | | | | | | | | | | | | | | | | | | | | | | | | | | | | | | | | | | | | | | | | | | | |
| | | (1228.8k, QPSK) | | | | | | | | | | | | | | | | | | | | | | | | | | | | | | | | | | | | | | | | | | | | | | | | | | | | | | | | | | | | | | | | | | | | | | | | | | | | | | | | | | | | | | | | | | | | | | | | | | | | | | | | | | | | | | | | | | | |
| | | R-Data Pkt Size | | | | | | | | | | | | | | | | | | | | | | | | | | | | | | | | | | | | | | | | | | | | | | | | | | | | | | | | | | | | | | | | | | | | | | | | | | | | | | | | | | | | | | | | | | | | | | | | | | | | | | | | | | | | | | | | | | | |
| | | 4096 | | | | | | | | | | | | | | | | | | | | | | | | | | | | | | | | | | | | | | | | | | | | | | | | | | | | | | | | | | | | | | | | | | | | | | | | | | | | | | | | | | | | | | | | | | | | | | | | | | | | | | | | | | | | | | | | | | | |
| | | bits | | | | | | | | | | | | | | | | | | | | | | | | | | | | | | | | | | | | | | | | | | | | | | | | | | | | | | | | | | | | | | | | | | | | | | | | | | | | | | | | | | | | | | | | | | | | | | | | | | | | | | | | | | | | | | | | | | | |
| | Active Cell Connected | Sys Type: IS-856 | | | | | | | | | | | | | | | | | | | | | | | | | | | | | | | | | | | | | | | | | | | | | | | | | | | | | | | | | | | | | | | | | | | | | | | | | | | | | | | | | | | | | | | | | | | | | | | | | | | | | | | | | | | | | | | | | | | |
| 1 of 2 | IntRef Offset | PLSub2 FETAP | | | | | | | | | | | | | | | | | | | | | | | | | | | | | | | | | | | | | | | | | | | | | | | | | | | | | | | | | | | | | | | | | | | | | | | | | | | | | | | | | | | | | | | | | | | | | | | | | | | | | | | | | | | | | | | | | | | |
| | | 1 of 3 | | | | | | | | | | | | | | | | | | | | | | | | | | | | | | | | | | | | | | | | | | | | | | | | | | | | | | | | | | | | | | | | | | | | | | | | | | | | | | | | | | | | | | | | | | | | | | | | | | | | | | | | | | | | | | | | | | | |
| Measurement/Instrument Screen | | Call Parm | | | | | | | | | | | | | | | | | | | | | | | | | | | | | | | | | | | | | | | | | | | | | | | | | | | | | | | | | | | | | | | | | | | | | | | | | | | | | | | | | | | | | | | | | | | | | | | | | | | | | | | | | | | | | | | | | | | |
| Control | Digital Average Power | Cell Power | | | | | | | | | | | | | | | | | | | | | | | | | | | | | | | | | | | | | | | | | | | | | | | | | | | | | | | | | | | | | | | | | | | | | | | | | | | | | | | | | | | | | | | | | | | | | | | | | | | | | | | | | | | | | | | | | | | |
| Digital Average Power Setup | Digital Average Power 23.63 dBm | -104.00 | | | | | | | | | | | | | | | | | | | | | | | | | | | | | | | | | | | | | | | | | | | | | | | | | | | | | | | | | | | | | | | | | | | | | | | | | | | | | | | | | | | | | | | | | | | | | | | | | | | | | | | | | | | | | | | | | | | |
| | Expected AT Power (Pre-Trans): ---- dBm/1.23 MHz | dBm/1.23 MHz | | | | | | | | | | | | | | | | | | | | | | | | | | | | | | | | | | | | | | | | | | | | | | | | | | | | | | | | | | | | | | | | | | | | | | | | | | | | | | | | | | | | | | | | | | | | | | | | | | | | | | | | | | | | | | | | | | | |
| | Expected AT Power (Post-Trans): ---- dBm/1.23 MHz | dBm/1.23 MHz | | | | | | | | | | | | | | | | | | | | | | | | | | | | | | | | | | | | | | | | | | | | | | | | | | | | | | | | | | | | | | | | | | | | | | | | | | | | | | | | | | | | | | | | | | | | | | | | | | | | | | | | | | | | | | | | | | | |
| | 100 /100 | Cell Band | | | | | | | | | | | | | | | | | | | | | | | | | | | | | | | | | | | | | | | | | | | | | | | | | | | | | | | | | | | | | | | | | | | | | | | | | | | | | | | | | | | | | | | | | | | | | | | | | | | | | | | | | | | | | | | | | | | |
| | Single | US Cellular | | | | | | | | | | | | | | | | | | | | | | | | | | | | | | | | | | | | | | | | | | | | | | | | | | | | | | | | | | | | | | | | | | | | | | | | | | | | | | | | | | | | | | | | | | | | | | | | | | | | | | | | | | | | | | | | | | | |
| Calibrate Digital Avg Pur | | Channel | | | | | | | | | | | | | | | | | | | | | | | | | | | | | | | | | | | | | | | | | | | | | | | | | | | | | | | | | | | | | | | | | | | | | | | | | | | | | | | | | | | | | | | | | | | | | | | | | | | | | | | | | | | | | | | | | | | |
| | | 384 | | | | | | | | | | | | | | | | | | | | | | | | | | | | | | | | | | | | | | | | | | | | | | | | | | | | | | | | | | | | | | | | | | | | | | | | | | | | | | | | | | | | | | | | | | | | | | | | | | | | | | | | | | | | | | | | | | | |
| | | Application Config | | | | | | | | | | | | | | | | | | | | | | | | | | | | | | | | | | | | | | | | | | | | | | | | | | | | | | | | | | | | | | | | | | | | | | | | | | | | | | | | | | | | | | | | | | | | | | | | | | | | | | | | | | | | | | | | | | | |
| | | F-Traffic Format | | | | | | | | | | | | | | | | | | | | | | | | | | | | | | | | | | | | | | | | | | | | | | | | | | | | | | | | | | | | | | | | | | | | | | | | | | | | | | | | | | | | | | | | | | | | | | | | | | | | | | | | | | | | | | | | | | | |
| | | B (3072,1.64) | | | | | | | | | | | | | | | | | | | | | | | | | | | | | | | | | | | | | | | | | | | | | | | | | | | | | | | | | | | | | | | | | | | | | | | | | | | | | | | | | | | | | | | | | | | | | | | | | | | | | | | | | | | | | | | | | | | |
| | | (1843.2k, 8-PSK) | | | | | | | | | | | | | | | | | | | | | | | | | | | | | | | | | | | | | | | | | | | | | | | | | | | | | | | | | | | | | | | | | | | | | | | | | | | | | | | | | | | | | | | | | | | | | | | | | | | | | | | | | | | | | | | | | | | |
| | | R-Data Pkt Size | | | | | | | | | | | | | | | | | | | | | | | | | | | | | | | | | | | | | | | | | | | | | | | | | | | | | | | | | | | | | | | | | | | | | | | | | | | | | | | | | | | | | | | | | | | | | | | | | | | | | | | | | | | | | | | | | | | |
| | | 4096 | | | | | | | | | | | | | | | | | | | | | | | | | | | | | | | | | | | | | | | | | | | | | | | | | | | | | | | | | | | | | | | | | | | | | | | | | | | | | | | | | | | | | | | | | | | | | | | | | | | | | | | | | | | | | | | | | | | |
| | | bits | | | | | | | | | | | | | | | | | | | | | | | | | | | | | | | | | | | | | | | | | | | | | | | | | | | | | | | | | | | | | | | | | | | | | | | | | | | | | | | | | | | | | | | | | | | | | | | | | | | | | | | | | | | | | | | | | | | |
| | Active Cell Connected | Sys Type: IS-856 | | | | | | | | | | | | | | | | | | | | | | | | | | | | | | | | | | | | | | | | | | | | | | | | | | | | | | | | | | | | | | | | | | | | | | | | | | | | | | | | | | | | | | | | | | | | | | | | | | | | | | | | | | | | | | | | | | | |
| 1 of 2 | IntRef Offset | PLSub2 FETAP | | | | | | | | | | | | | | | | | | | | | | | | | | | | | | | | | | | | | | | | | | | | | | | | | | | | | | | | | | | | | | | | | | | | | | | | | | | | | | | | | | | | | | | | | | | | | | | | | | | | | | | | | | | | | | | | | | | |
| | | 1 of 3 | | | | | | | | | | | | | | | | | | | | | | | | | | | | | | | | | | | | | | | | | | | | | | | | | | | | | | | | | | | | | | | | | | | | | | | | | | | | | | | | | | | | | | | | | | | | | | | | | | | | | | | | | | | | | | | | | | | |
| <table border="1"> <thead> <tr> <th colspan="2">Measurement/Instrument Screen</th> <th>Call Parm</th> </tr> </thead> <tbody> <tr> <td>Control</td> <td>Digital Average Power</td> <td>Cell Power</td> </tr> <tr> <td>Digital Average Power Setup</td> <td>Digital Average Power 23.82 dBm</td> <td>-104.00</td> </tr> <tr> <td></td> <td>Expected AT Power (Pre-Trans): ---- dBm/1.23 MHz</td> <td>dBm/1.23 MHz</td> </tr> <tr> <td></td> <td>Expected AT Power (Post-Trans): ---- dBm/1.23 MHz</td> <td>dBm/1.23 MHz</td> </tr> <tr> <td></td> <td>100 /100</td> <td>Cell Band</td> </tr> <tr> <td></td> <td>Single</td> <td>US Cellular</td> </tr> <tr> <td>Calibrate Digital Avg Pur</td> <td></td> <td>Channel</td> </tr> <tr> <td></td> <td></td> <td>384</td> </tr> <tr> <td></td> <td></td> <td>Application Config</td> </tr> <tr> <td></td> <td></td> <td>F-Traffic Format</td> </tr> <tr> <td></td> <td></td> <td>E (5120,1.64)</td> </tr> <tr> <td></td> <td></td> <td>(3072.0k,16-QAM)</td> </tr> <tr> <td></td> <td></td> <td>R-Data Pkt Size</td> </tr> <tr> <td></td> <td></td> <td>4096</td> </tr> <tr> <td></td> <td></td> <td>bits</td> </tr> <tr> <td></td> <td>Active Cell Connected</td> <td>Sys Type: IS-856</td> </tr> <tr> <td>1 of 2</td> <td>IntRef Offset</td> <td>PLSub2 FETAP</td> </tr> <tr> <td></td> <td></td> <td>1 of 3</td> </tr> </tbody> </table> <p style="text-align: center;">FETAP / 3072 k</p> | | Measurement/Instrument Screen | | Call Parm | Control | Digital Average Power | Cell Power | Digital Average Power Setup | Digital Average Power 23.82 dBm | -104.00 | | Expected AT Power (Pre-Trans): ---- dBm/1.23 MHz | dBm/1.23 MHz | | Expected AT Power (Post-Trans): ---- dBm/1.23 MHz | dBm/1.23 MHz | | 100 /100 | Cell Band | | Single | US Cellular | Calibrate Digital Avg Pur | | Channel | | | 384 | | | Application Config | | | F-Traffic Format | | | E (5120,1.64) | | | (3072.0k,16-QAM) | | | R-Data Pkt Size | | | 4096 | | | bits | | Active Cell Connected | Sys Type: IS-856 | 1 of 2 | IntRef Offset | PLSub2 FETAP | | | 1 of 3 | <table border="1"> <thead> <tr> <th colspan="2">Measurement/Instrument Screen</th> <th>Call Parm</th> </tr> </thead> <tbody> <tr> <td>Control</td> <td>Digital Average Power</td> <td>Cell Power</td> </tr> <tr> <td>Digital Average Power Setup</td> <td>Digital Average Power 23.36 dBm</td> <td>-104.00</td> </tr> <tr> <td></td> <td>Expected AT Power (Pre-Trans): 23.00 dBm/1.23 MHz</td> <td>dBm/1.23 MHz</td> </tr> <tr> <td></td> <td>Expected AT Power (Post-Trans): 23.00 dBm/1.23 MHz</td> <td>dBm/1.23 MHz</td> </tr> <tr> <td></td> <td>100 /100</td> <td>Cell Band</td> </tr> <tr> <td></td> <td>Single</td> <td>US Cellular</td> </tr> <tr> <td>Calibrate Digital Avg Pur</td> <td></td> <td>Channel</td> </tr> <tr> <td></td> <td></td> <td>384</td> </tr> <tr> <td></td> <td></td> <td>Application Config</td> </tr> <tr> <td></td> <td></td> <td>F-Traffic Format</td> </tr> <tr> <td></td> <td></td> <td>E (5120,1.64)</td> </tr> <tr> <td></td> <td></td> <td>(3072.0k,16-QAM)</td> </tr> <tr> <td></td> <td></td> <td>R-Data Pkt Size</td> </tr> <tr> <td></td> <td></td> <td>4096</td> </tr> <tr> <td></td> <td></td> <td>bits</td> </tr> <tr> <td></td> <td>Active Cell Connected</td> <td>Sys Type: IS-856</td> </tr> <tr> <td>1 of 2</td> <td>IntRef Offset</td> <td>PLSub2 RETAP</td> </tr> <tr> <td></td> <td></td> <td>1 of 3</td> </tr> </tbody> </table> <p style="text-align: center;">RETAP / 4096 b</p> | | Measurement/Instrument Screen | | Call Parm | Control | Digital Average Power | Cell Power | Digital Average Power Setup | Digital Average Power 23.36 dBm | -104.00 | | Expected AT Power (Pre-Trans): 23.00 dBm/1.23 MHz | dBm/1.23 MHz | | Expected AT Power (Post-Trans): 23.00 dBm/1.23 MHz | dBm/1.23 MHz | | 100 /100 | Cell Band | | Single | US Cellular | Calibrate Digital Avg Pur | | Channel | | | 384 | | | Application Config | | | F-Traffic Format | | | E (5120,1.64) | | | (3072.0k,16-QAM) | | | R-Data Pkt Size | | | 4096 | | | bits | | Active Cell Connected | Sys Type: IS-856 | 1 of 2 | IntRef Offset | PLSub2 RETAP | | | 1 of 3 |
| Measurement/Instrument Screen | | Call Parm | | | | | | | | | | | | | | | | | | | | | | | | | | | | | | | | | | | | | | | | | | | | | | | | | | | | | | | | | | | | | | | | | | | | | | | | | | | | | | | | | | | | | | | | | | | | | | | | | | | | | | | | | | | | | | | | | | | |
| Control | Digital Average Power | Cell Power | | | | | | | | | | | | | | | | | | | | | | | | | | | | | | | | | | | | | | | | | | | | | | | | | | | | | | | | | | | | | | | | | | | | | | | | | | | | | | | | | | | | | | | | | | | | | | | | | | | | | | | | | | | | | | | | | | | |
| Digital Average Power Setup | Digital Average Power 23.82 dBm | -104.00 | | | | | | | | | | | | | | | | | | | | | | | | | | | | | | | | | | | | | | | | | | | | | | | | | | | | | | | | | | | | | | | | | | | | | | | | | | | | | | | | | | | | | | | | | | | | | | | | | | | | | | | | | | | | | | | | | | | |
| | Expected AT Power (Pre-Trans): ---- dBm/1.23 MHz | dBm/1.23 MHz | | | | | | | | | | | | | | | | | | | | | | | | | | | | | | | | | | | | | | | | | | | | | | | | | | | | | | | | | | | | | | | | | | | | | | | | | | | | | | | | | | | | | | | | | | | | | | | | | | | | | | | | | | | | | | | | | | | |
| | Expected AT Power (Post-Trans): ---- dBm/1.23 MHz | dBm/1.23 MHz | | | | | | | | | | | | | | | | | | | | | | | | | | | | | | | | | | | | | | | | | | | | | | | | | | | | | | | | | | | | | | | | | | | | | | | | | | | | | | | | | | | | | | | | | | | | | | | | | | | | | | | | | | | | | | | | | | | |
| | 100 /100 | Cell Band | | | | | | | | | | | | | | | | | | | | | | | | | | | | | | | | | | | | | | | | | | | | | | | | | | | | | | | | | | | | | | | | | | | | | | | | | | | | | | | | | | | | | | | | | | | | | | | | | | | | | | | | | | | | | | | | | | | |
| | Single | US Cellular | | | | | | | | | | | | | | | | | | | | | | | | | | | | | | | | | | | | | | | | | | | | | | | | | | | | | | | | | | | | | | | | | | | | | | | | | | | | | | | | | | | | | | | | | | | | | | | | | | | | | | | | | | | | | | | | | | | |
| Calibrate Digital Avg Pur | | Channel | | | | | | | | | | | | | | | | | | | | | | | | | | | | | | | | | | | | | | | | | | | | | | | | | | | | | | | | | | | | | | | | | | | | | | | | | | | | | | | | | | | | | | | | | | | | | | | | | | | | | | | | | | | | | | | | | | | |
| | | 384 | | | | | | | | | | | | | | | | | | | | | | | | | | | | | | | | | | | | | | | | | | | | | | | | | | | | | | | | | | | | | | | | | | | | | | | | | | | | | | | | | | | | | | | | | | | | | | | | | | | | | | | | | | | | | | | | | | | |
| | | Application Config | | | | | | | | | | | | | | | | | | | | | | | | | | | | | | | | | | | | | | | | | | | | | | | | | | | | | | | | | | | | | | | | | | | | | | | | | | | | | | | | | | | | | | | | | | | | | | | | | | | | | | | | | | | | | | | | | | | |
| | | F-Traffic Format | | | | | | | | | | | | | | | | | | | | | | | | | | | | | | | | | | | | | | | | | | | | | | | | | | | | | | | | | | | | | | | | | | | | | | | | | | | | | | | | | | | | | | | | | | | | | | | | | | | | | | | | | | | | | | | | | | | |
| | | E (5120,1.64) | | | | | | | | | | | | | | | | | | | | | | | | | | | | | | | | | | | | | | | | | | | | | | | | | | | | | | | | | | | | | | | | | | | | | | | | | | | | | | | | | | | | | | | | | | | | | | | | | | | | | | | | | | | | | | | | | | | |
| | | (3072.0k,16-QAM) | | | | | | | | | | | | | | | | | | | | | | | | | | | | | | | | | | | | | | | | | | | | | | | | | | | | | | | | | | | | | | | | | | | | | | | | | | | | | | | | | | | | | | | | | | | | | | | | | | | | | | | | | | | | | | | | | | | |
| | | R-Data Pkt Size | | | | | | | | | | | | | | | | | | | | | | | | | | | | | | | | | | | | | | | | | | | | | | | | | | | | | | | | | | | | | | | | | | | | | | | | | | | | | | | | | | | | | | | | | | | | | | | | | | | | | | | | | | | | | | | | | | | |
| | | 4096 | | | | | | | | | | | | | | | | | | | | | | | | | | | | | | | | | | | | | | | | | | | | | | | | | | | | | | | | | | | | | | | | | | | | | | | | | | | | | | | | | | | | | | | | | | | | | | | | | | | | | | | | | | | | | | | | | | | |
| | | bits | | | | | | | | | | | | | | | | | | | | | | | | | | | | | | | | | | | | | | | | | | | | | | | | | | | | | | | | | | | | | | | | | | | | | | | | | | | | | | | | | | | | | | | | | | | | | | | | | | | | | | | | | | | | | | | | | | | |
| | Active Cell Connected | Sys Type: IS-856 | | | | | | | | | | | | | | | | | | | | | | | | | | | | | | | | | | | | | | | | | | | | | | | | | | | | | | | | | | | | | | | | | | | | | | | | | | | | | | | | | | | | | | | | | | | | | | | | | | | | | | | | | | | | | | | | | | | |
| 1 of 2 | IntRef Offset | PLSub2 FETAP | | | | | | | | | | | | | | | | | | | | | | | | | | | | | | | | | | | | | | | | | | | | | | | | | | | | | | | | | | | | | | | | | | | | | | | | | | | | | | | | | | | | | | | | | | | | | | | | | | | | | | | | | | | | | | | | | | | |
| | | 1 of 3 | | | | | | | | | | | | | | | | | | | | | | | | | | | | | | | | | | | | | | | | | | | | | | | | | | | | | | | | | | | | | | | | | | | | | | | | | | | | | | | | | | | | | | | | | | | | | | | | | | | | | | | | | | | | | | | | | | | |
| Measurement/Instrument Screen | | Call Parm | | | | | | | | | | | | | | | | | | | | | | | | | | | | | | | | | | | | | | | | | | | | | | | | | | | | | | | | | | | | | | | | | | | | | | | | | | | | | | | | | | | | | | | | | | | | | | | | | | | | | | | | | | | | | | | | | | | |
| Control | Digital Average Power | Cell Power | | | | | | | | | | | | | | | | | | | | | | | | | | | | | | | | | | | | | | | | | | | | | | | | | | | | | | | | | | | | | | | | | | | | | | | | | | | | | | | | | | | | | | | | | | | | | | | | | | | | | | | | | | | | | | | | | | | |
| Digital Average Power Setup | Digital Average Power 23.36 dBm | -104.00 | | | | | | | | | | | | | | | | | | | | | | | | | | | | | | | | | | | | | | | | | | | | | | | | | | | | | | | | | | | | | | | | | | | | | | | | | | | | | | | | | | | | | | | | | | | | | | | | | | | | | | | | | | | | | | | | | | | |
| | Expected AT Power (Pre-Trans): 23.00 dBm/1.23 MHz | dBm/1.23 MHz | | | | | | | | | | | | | | | | | | | | | | | | | | | | | | | | | | | | | | | | | | | | | | | | | | | | | | | | | | | | | | | | | | | | | | | | | | | | | | | | | | | | | | | | | | | | | | | | | | | | | | | | | | | | | | | | | | | |
| | Expected AT Power (Post-Trans): 23.00 dBm/1.23 MHz | dBm/1.23 MHz | | | | | | | | | | | | | | | | | | | | | | | | | | | | | | | | | | | | | | | | | | | | | | | | | | | | | | | | | | | | | | | | | | | | | | | | | | | | | | | | | | | | | | | | | | | | | | | | | | | | | | | | | | | | | | | | | | | |
| | 100 /100 | Cell Band | | | | | | | | | | | | | | | | | | | | | | | | | | | | | | | | | | | | | | | | | | | | | | | | | | | | | | | | | | | | | | | | | | | | | | | | | | | | | | | | | | | | | | | | | | | | | | | | | | | | | | | | | | | | | | | | | | | |
| | Single | US Cellular | | | | | | | | | | | | | | | | | | | | | | | | | | | | | | | | | | | | | | | | | | | | | | | | | | | | | | | | | | | | | | | | | | | | | | | | | | | | | | | | | | | | | | | | | | | | | | | | | | | | | | | | | | | | | | | | | | | |
| Calibrate Digital Avg Pur | | Channel | | | | | | | | | | | | | | | | | | | | | | | | | | | | | | | | | | | | | | | | | | | | | | | | | | | | | | | | | | | | | | | | | | | | | | | | | | | | | | | | | | | | | | | | | | | | | | | | | | | | | | | | | | | | | | | | | | | |
| | | 384 | | | | | | | | | | | | | | | | | | | | | | | | | | | | | | | | | | | | | | | | | | | | | | | | | | | | | | | | | | | | | | | | | | | | | | | | | | | | | | | | | | | | | | | | | | | | | | | | | | | | | | | | | | | | | | | | | | | |
| | | Application Config | | | | | | | | | | | | | | | | | | | | | | | | | | | | | | | | | | | | | | | | | | | | | | | | | | | | | | | | | | | | | | | | | | | | | | | | | | | | | | | | | | | | | | | | | | | | | | | | | | | | | | | | | | | | | | | | | | | |
| | | F-Traffic Format | | | | | | | | | | | | | | | | | | | | | | | | | | | | | | | | | | | | | | | | | | | | | | | | | | | | | | | | | | | | | | | | | | | | | | | | | | | | | | | | | | | | | | | | | | | | | | | | | | | | | | | | | | | | | | | | | | | |
| | | E (5120,1.64) | | | | | | | | | | | | | | | | | | | | | | | | | | | | | | | | | | | | | | | | | | | | | | | | | | | | | | | | | | | | | | | | | | | | | | | | | | | | | | | | | | | | | | | | | | | | | | | | | | | | | | | | | | | | | | | | | | | |
| | | (3072.0k,16-QAM) | | | | | | | | | | | | | | | | | | | | | | | | | | | | | | | | | | | | | | | | | | | | | | | | | | | | | | | | | | | | | | | | | | | | | | | | | | | | | | | | | | | | | | | | | | | | | | | | | | | | | | | | | | | | | | | | | | | |
| | | R-Data Pkt Size | | | | | | | | | | | | | | | | | | | | | | | | | | | | | | | | | | | | | | | | | | | | | | | | | | | | | | | | | | | | | | | | | | | | | | | | | | | | | | | | | | | | | | | | | | | | | | | | | | | | | | | | | | | | | | | | | | | |
| | | 4096 | | | | | | | | | | | | | | | | | | | | | | | | | | | | | | | | | | | | | | | | | | | | | | | | | | | | | | | | | | | | | | | | | | | | | | | | | | | | | | | | | | | | | | | | | | | | | | | | | | | | | | | | | | | | | | | | | | | |
| | | bits | | | | | | | | | | | | | | | | | | | | | | | | | | | | | | | | | | | | | | | | | | | | | | | | | | | | | | | | | | | | | | | | | | | | | | | | | | | | | | | | | | | | | | | | | | | | | | | | | | | | | | | | | | | | | | | | | | | |
| | Active Cell Connected | Sys Type: IS-856 | | | | | | | | | | | | | | | | | | | | | | | | | | | | | | | | | | | | | | | | | | | | | | | | | | | | | | | | | | | | | | | | | | | | | | | | | | | | | | | | | | | | | | | | | | | | | | | | | | | | | | | | | | | | | | | | | | | |
| 1 of 2 | IntRef Offset | PLSub2 RETAP | | | | | | | | | | | | | | | | | | | | | | | | | | | | | | | | | | | | | | | | | | | | | | | | | | | | | | | | | | | | | | | | | | | | | | | | | | | | | | | | | | | | | | | | | | | | | | | | | | | | | | | | | | | | | | | | | | | |
| | | 1 of 3 | | | | | | | | | | | | | | | | | | | | | | | | | | | | | | | | | | | | | | | | | | | | | | | | | | | | | | | | | | | | | | | | | | | | | | | | | | | | | | | | | | | | | | | | | | | | | | | | | | | | | | | | | | | | | | | | | | | |

* CH:777 (848.31 MHz)

| Measurement/Instrument Screen | | | | |
|-------------------------------|---|----------------------------|---------------|--|
| Control | Digital Average Power | Call Params | | |
| Digital Average Power Setup ▾ | Digital Average Power 23.79 dBm Expected Mobile Power: 23.00 dBm/1.23 MHz 100 /100 Single | Cell Power | -104.00 | |
| | | dBm/1.23 MHz | | |
| | | Cell Band | US Cellular | |
| | | Channel | 777 | |
| Calibrate Digital Avg Pur | | Protocol Rev | 6 (IS-2000-0) | |
| | | Radio Config | (Fud1, Rvs1) | |
| | | S055 (Loopback) | | |
| | | FCH Service Option Setup ▾ | | |
| | | Active Cell | Connected | |
| | | Sys Type: IS-2000 | | |
| 1 of 2 | IntRef Offset | 1 of 4 | | |

RC1 / SO55

| Measurement/Instrument Screen | | | | |
|-------------------------------|---|----------------------------|---------------|--|
| Control | Digital Average Power | Call Params | | |
| Digital Average Power Setup ▾ | Digital Average Power 23.79 dBm Expected Mobile Power: 23.00 dBm/1.23 MHz 100 /100 Single | Cell Power | -104.00 | |
| | | dBm/1.23 MHz | | |
| | | Cell Band | US Cellular | |
| | | Channel | 777 | |
| Calibrate Digital Avg Pur | | Protocol Rev | 6 (IS-2000-0) | |
| | | Radio Config | (Fud3, Rvs3) | |
| | | S055 (Loopback) | | |
| | | FCH Service Option Setup ▾ | | |
| | | Active Cell | Connected | |
| | | Sys Type: IS-2000 | | |
| 1 of 2 | IntRef Offset | 1 of 4 | | |

RC3 / SO55

| Measurement/Instrument Screen | | | | |
|-------------------------------|--|----------------------------|------------------|--|
| Control | Digital Average Power | Call Params | | |
| Digital Average Power Setup ▾ | Digital Average Power 23.78 dBm Expected Mobile Power: ---- dBm/1.23 MHz 100 /100 Single | Cell Power | -104.00 | |
| | | dBm/1.23 MHz | | |
| | | Cell Band | US Cellular | |
| | | Channel | 777 | |
| Calibrate Digital Avg Pur | | Protocol Rev | 6 (IS-2000-0) | |
| | | Radio Config | (Fud3, Rvs3) | |
| | | S032 (+ F-SCH) | | |
| | | FCH Service Option Setup ▾ | | |
| | | Active Cell | Connected + Data | |
| | | Sys Type: IS-2000 | | |
| 1 of 2 | IntRef Offset | 1 of 4 | | |

RC3 / SO32+F-SCH

| Measurement/Instrument Screen | | | | |
|-------------------------------|--|----------------------------|------------------|--|
| Control | Digital Average Power | Call Params | | |
| Digital Average Power Setup ▾ | Digital Average Power 23.79 dBm Expected Mobile Power: ---- dBm/1.23 MHz 100 /100 Single | Cell Power | -104.00 | |
| | | dBm/1.23 MHz | | |
| | | Cell Band | US Cellular | |
| | | Channel | 777 | |
| Calibrate Digital Avg Pur | | Protocol Rev | 6 (IS-2000-0) | |
| | | Radio Config | (Fud3, Rvs3) | |
| | | S032 (+ SCH) | | |
| | | FCH Service Option Setup ▾ | | |
| | | Active Cell | Connected + Data | |
| | | Sys Type: IS-2000 | | |
| 1 of 2 | IntRef Offset | 1 of 4 | | |

RC3 / SO32+SCH

| Measurement/Instrument Screen | | | | |
|-------------------------------|---|----------------------|-------------|--|
| Control | Digital Average Power | Call Params | | |
| Digital Average Power Setup ▾ | Digital Average Power 24.63 dBm Expected Access Terminal Power: ---- dBm/1.23 MHz 100 /100 Single | Cell Power | -104.00 | |
| | | dBm/1.23 MHz | | |
| | | Cell Band | US Cellular | |
| | | Channel | 777 | |
| Calibrate Digital Avg Pur | | Application Config ▾ | | |
| | | FTAP Rate | 1228.8 kbps | |
| | | (1 Slot, QPSK) | | |
| | | RTAP Rate | 9.6 kbps | |
| | | Active Cell | Connected | |
| | | Sys Type: IS-856 | | |
| 1 of 2 | IntRef Offset | PLSub0 FTAP | 1 of 3 | |

FTAP / 1228.8 k

| Measurement/Instrument Screen | | | | |
|-------------------------------|---|----------------------|-------------|--|
| Control | Digital Average Power | Call Params | | |
| Digital Average Power Setup ▾ | Digital Average Power 24.60 dBm Expected Access Terminal Power: ---- dBm/1.23 MHz 100 /100 Single | Cell Power | -104.00 | |
| | | dBm/1.23 MHz | | |
| | | Cell Band | US Cellular | |
| | | Channel | 777 | |
| Calibrate Digital Avg Pur | | Application Config ▾ | | |
| | | FTAP Rate | 1843.2 kbps | |
| | | (1 Slot, 8-PSK) | | |
| | | RTAP Rate | 9.6 kbps | |
| | | Active Cell | Connected | |
| | | Sys Type: IS-856 | | |
| 1 of 2 | IntRef Offset | PLSub0 FTAP | 1 of 3 | |

FTAP / 1843.2 k

* CH:777 (848.31 MHz)

| <table border="1"> <thead> <tr> <th colspan="2">Measurement/Instrument Screen</th> <th>Call Parm</th> </tr> </thead> <tbody> <tr> <td>Control</td> <td>Digital Average Power</td> <td>Cell Power</td> </tr> <tr> <td>Digital Average Power Setup</td> <td>Digital Average Power 24.62 dBm</td> <td>-104.00</td> </tr> <tr> <td></td> <td>Expected Access Terminal Power: ---- dBm/1.23 MHz</td> <td>dBm/1.23 MHz</td> </tr> <tr> <td></td> <td>100 /100</td> <td>Cell Band</td> </tr> <tr> <td></td> <td>Single</td> <td>US Cellular</td> </tr> <tr> <td>Calibrate Digital Avg Pur</td> <td></td> <td>Channel</td> </tr> <tr> <td></td> <td></td> <td>777</td> </tr> <tr> <td></td> <td></td> <td>Application Config</td> </tr> <tr> <td></td> <td></td> <td>FTAP Rate</td> </tr> <tr> <td></td> <td></td> <td>2457.6 kbps</td> </tr> <tr> <td></td> <td></td> <td>(1 Slot, 16-QAM)</td> </tr> <tr> <td></td> <td></td> <td>RTAP Rate</td> </tr> <tr> <td></td> <td></td> <td>9.6 kbps</td> </tr> <tr> <td></td> <td>Active Cell Connected</td> <td>Sys Type: IS-856</td> </tr> <tr> <td>1 of 2</td> <td>IntRef Offset</td> <td>PLSub2 FTAP</td> </tr> <tr> <td></td> <td></td> <td>1 of 3</td> </tr> </tbody> </table> <p style="text-align: center;">FTAP / 2457.6 k</p> | | Measurement/Instrument Screen | | Call Parm | Control | Digital Average Power | Cell Power | Digital Average Power Setup | Digital Average Power 24.62 dBm | -104.00 | | Expected Access Terminal Power: ---- dBm/1.23 MHz | dBm/1.23 MHz | | 100 /100 | Cell Band | | Single | US Cellular | Calibrate Digital Avg Pur | | Channel | | | 777 | | | Application Config | | | FTAP Rate | | | 2457.6 kbps | | | (1 Slot, 16-QAM) | | | RTAP Rate | | | 9.6 kbps | | Active Cell Connected | Sys Type: IS-856 | 1 of 2 | IntRef Offset | PLSub2 FTAP | | | 1 of 3 | <table border="1"> <thead> <tr> <th colspan="2">Measurement/Instrument Screen</th> <th>Call Parm</th> </tr> </thead> <tbody> <tr> <td>Control</td> <td>Digital Average Power</td> <td>Cell Power</td> </tr> <tr> <td>Digital Average Power Setup</td> <td>Digital Average Power 24.58 dBm</td> <td>-104.00</td> </tr> <tr> <td></td> <td>Expected Access Terminal Power: 23.00 dBm/1.23 MHz</td> <td>dBm/1.23 MHz</td> </tr> <tr> <td></td> <td>100 /100</td> <td>Cell Band</td> </tr> <tr> <td></td> <td>Single</td> <td>US Cellular</td> </tr> <tr> <td>Calibrate Digital Avg Pur</td> <td></td> <td>Channel</td> </tr> <tr> <td></td> <td></td> <td>777</td> </tr> <tr> <td></td> <td></td> <td>Application Config</td> </tr> <tr> <td></td> <td></td> <td>FTAP Rate</td> </tr> <tr> <td></td> <td></td> <td>307.2 kbps</td> </tr> <tr> <td></td> <td></td> <td>(2 Slot, QPSK)</td> </tr> <tr> <td></td> <td></td> <td>RTAP Rate</td> </tr> <tr> <td></td> <td></td> <td>153.6 kbps</td> </tr> <tr> <td></td> <td>Active Cell Connected</td> <td>Sys Type: IS-856</td> </tr> <tr> <td>1 of 2</td> <td>IntRef Offset</td> <td>PLSub2 RTAP</td> </tr> <tr> <td></td> <td></td> <td>1 of 3</td> </tr> </tbody> </table> <p style="text-align: center;">RTAP / 153.6 k</p> | | Measurement/Instrument Screen | | Call Parm | Control | Digital Average Power | Cell Power | Digital Average Power Setup | Digital Average Power 24.58 dBm | -104.00 | | Expected Access Terminal Power: 23.00 dBm/1.23 MHz | dBm/1.23 MHz | | 100 /100 | Cell Band | | Single | US Cellular | Calibrate Digital Avg Pur | | Channel | | | 777 | | | Application Config | | | FTAP Rate | | | 307.2 kbps | | | (2 Slot, QPSK) | | | RTAP Rate | | | 153.6 kbps | | Active Cell Connected | Sys Type: IS-856 | 1 of 2 | IntRef Offset | PLSub2 RTAP | | | 1 of 3 | | | | | | | | | | | | |
|--|--|-------------------------------|--|-----------|---------|-----------------------|------------|-----------------------------|---|---------|--|---|--------------|--|---|--------------|--|----------|-------------|---------------------------|--------|-------------|---------------------------|--|---------|--|--|--------------------|--|--|--------------------|--|--|------------------|--|--|------------------|--|--|------------------|--|--|-----------------|--|-----------------------|------------------|--------|---------------|-------------|--|-----------------------|------------------|---|---------------|-------------------------------|--|-----------|---------|---|------------|-------------------------------|---|-----------|---------|--|--------------|-----------------------------|---|-----------|--|---|--------------|---------------------------|--|--------------|--|----------|-----------|--|--------|--------------------|---------------------------|--|-----------|--|--|------------|--|--|--------------------|--|--|------------------|--|--|---------------|--|-----------------------|------------------|--------|---------------|-----------------|--|--|--------|--|--|------|--|-----------------------|------------------|--------|---------------|--------------|--|--|--------|
| Measurement/Instrument Screen | | Call Parm | | | | | | | | | | | | | | | | | | | | | | | | | | | | | | | | | | | | | | | | | | | | | | | | | | | | | | | | | | | | | | | | | | | | | | | | | | | | | | | | | | | | | | | | | | | | | | | | | | | | | | | | | | | | | | | | | | | |
| Control | Digital Average Power | Cell Power | | | | | | | | | | | | | | | | | | | | | | | | | | | | | | | | | | | | | | | | | | | | | | | | | | | | | | | | | | | | | | | | | | | | | | | | | | | | | | | | | | | | | | | | | | | | | | | | | | | | | | | | | | | | | | | | | | | |
| Digital Average Power Setup | Digital Average Power 24.62 dBm | -104.00 | | | | | | | | | | | | | | | | | | | | | | | | | | | | | | | | | | | | | | | | | | | | | | | | | | | | | | | | | | | | | | | | | | | | | | | | | | | | | | | | | | | | | | | | | | | | | | | | | | | | | | | | | | | | | | | | | | | |
| | Expected Access Terminal Power: ---- dBm/1.23 MHz | dBm/1.23 MHz | | | | | | | | | | | | | | | | | | | | | | | | | | | | | | | | | | | | | | | | | | | | | | | | | | | | | | | | | | | | | | | | | | | | | | | | | | | | | | | | | | | | | | | | | | | | | | | | | | | | | | | | | | | | | | | | | | | |
| | 100 /100 | Cell Band | | | | | | | | | | | | | | | | | | | | | | | | | | | | | | | | | | | | | | | | | | | | | | | | | | | | | | | | | | | | | | | | | | | | | | | | | | | | | | | | | | | | | | | | | | | | | | | | | | | | | | | | | | | | | | | | | | | |
| | Single | US Cellular | | | | | | | | | | | | | | | | | | | | | | | | | | | | | | | | | | | | | | | | | | | | | | | | | | | | | | | | | | | | | | | | | | | | | | | | | | | | | | | | | | | | | | | | | | | | | | | | | | | | | | | | | | | | | | | | | | | |
| Calibrate Digital Avg Pur | | Channel | | | | | | | | | | | | | | | | | | | | | | | | | | | | | | | | | | | | | | | | | | | | | | | | | | | | | | | | | | | | | | | | | | | | | | | | | | | | | | | | | | | | | | | | | | | | | | | | | | | | | | | | | | | | | | | | | | | |
| | | 777 | | | | | | | | | | | | | | | | | | | | | | | | | | | | | | | | | | | | | | | | | | | | | | | | | | | | | | | | | | | | | | | | | | | | | | | | | | | | | | | | | | | | | | | | | | | | | | | | | | | | | | | | | | | | | | | | | | | |
| | | Application Config | | | | | | | | | | | | | | | | | | | | | | | | | | | | | | | | | | | | | | | | | | | | | | | | | | | | | | | | | | | | | | | | | | | | | | | | | | | | | | | | | | | | | | | | | | | | | | | | | | | | | | | | | | | | | | | | | | | |
| | | FTAP Rate | | | | | | | | | | | | | | | | | | | | | | | | | | | | | | | | | | | | | | | | | | | | | | | | | | | | | | | | | | | | | | | | | | | | | | | | | | | | | | | | | | | | | | | | | | | | | | | | | | | | | | | | | | | | | | | | | | | |
| | | 2457.6 kbps | | | | | | | | | | | | | | | | | | | | | | | | | | | | | | | | | | | | | | | | | | | | | | | | | | | | | | | | | | | | | | | | | | | | | | | | | | | | | | | | | | | | | | | | | | | | | | | | | | | | | | | | | | | | | | | | | | | |
| | | (1 Slot, 16-QAM) | | | | | | | | | | | | | | | | | | | | | | | | | | | | | | | | | | | | | | | | | | | | | | | | | | | | | | | | | | | | | | | | | | | | | | | | | | | | | | | | | | | | | | | | | | | | | | | | | | | | | | | | | | | | | | | | | | | |
| | | RTAP Rate | | | | | | | | | | | | | | | | | | | | | | | | | | | | | | | | | | | | | | | | | | | | | | | | | | | | | | | | | | | | | | | | | | | | | | | | | | | | | | | | | | | | | | | | | | | | | | | | | | | | | | | | | | | | | | | | | | | |
| | | 9.6 kbps | | | | | | | | | | | | | | | | | | | | | | | | | | | | | | | | | | | | | | | | | | | | | | | | | | | | | | | | | | | | | | | | | | | | | | | | | | | | | | | | | | | | | | | | | | | | | | | | | | | | | | | | | | | | | | | | | | | |
| | Active Cell Connected | Sys Type: IS-856 | | | | | | | | | | | | | | | | | | | | | | | | | | | | | | | | | | | | | | | | | | | | | | | | | | | | | | | | | | | | | | | | | | | | | | | | | | | | | | | | | | | | | | | | | | | | | | | | | | | | | | | | | | | | | | | | | | | |
| 1 of 2 | IntRef Offset | PLSub2 FTAP | | | | | | | | | | | | | | | | | | | | | | | | | | | | | | | | | | | | | | | | | | | | | | | | | | | | | | | | | | | | | | | | | | | | | | | | | | | | | | | | | | | | | | | | | | | | | | | | | | | | | | | | | | | | | | | | | | | |
| | | 1 of 3 | | | | | | | | | | | | | | | | | | | | | | | | | | | | | | | | | | | | | | | | | | | | | | | | | | | | | | | | | | | | | | | | | | | | | | | | | | | | | | | | | | | | | | | | | | | | | | | | | | | | | | | | | | | | | | | | | | | |
| Measurement/Instrument Screen | | Call Parm | | | | | | | | | | | | | | | | | | | | | | | | | | | | | | | | | | | | | | | | | | | | | | | | | | | | | | | | | | | | | | | | | | | | | | | | | | | | | | | | | | | | | | | | | | | | | | | | | | | | | | | | | | | | | | | | | | | |
| Control | Digital Average Power | Cell Power | | | | | | | | | | | | | | | | | | | | | | | | | | | | | | | | | | | | | | | | | | | | | | | | | | | | | | | | | | | | | | | | | | | | | | | | | | | | | | | | | | | | | | | | | | | | | | | | | | | | | | | | | | | | | | | | | | | |
| Digital Average Power Setup | Digital Average Power 24.58 dBm | -104.00 | | | | | | | | | | | | | | | | | | | | | | | | | | | | | | | | | | | | | | | | | | | | | | | | | | | | | | | | | | | | | | | | | | | | | | | | | | | | | | | | | | | | | | | | | | | | | | | | | | | | | | | | | | | | | | | | | | | |
| | Expected Access Terminal Power: 23.00 dBm/1.23 MHz | dBm/1.23 MHz | | | | | | | | | | | | | | | | | | | | | | | | | | | | | | | | | | | | | | | | | | | | | | | | | | | | | | | | | | | | | | | | | | | | | | | | | | | | | | | | | | | | | | | | | | | | | | | | | | | | | | | | | | | | | | | | | | | |
| | 100 /100 | Cell Band | | | | | | | | | | | | | | | | | | | | | | | | | | | | | | | | | | | | | | | | | | | | | | | | | | | | | | | | | | | | | | | | | | | | | | | | | | | | | | | | | | | | | | | | | | | | | | | | | | | | | | | | | | | | | | | | | | | |
| | Single | US Cellular | | | | | | | | | | | | | | | | | | | | | | | | | | | | | | | | | | | | | | | | | | | | | | | | | | | | | | | | | | | | | | | | | | | | | | | | | | | | | | | | | | | | | | | | | | | | | | | | | | | | | | | | | | | | | | | | | | | |
| Calibrate Digital Avg Pur | | Channel | | | | | | | | | | | | | | | | | | | | | | | | | | | | | | | | | | | | | | | | | | | | | | | | | | | | | | | | | | | | | | | | | | | | | | | | | | | | | | | | | | | | | | | | | | | | | | | | | | | | | | | | | | | | | | | | | | | |
| | | 777 | | | | | | | | | | | | | | | | | | | | | | | | | | | | | | | | | | | | | | | | | | | | | | | | | | | | | | | | | | | | | | | | | | | | | | | | | | | | | | | | | | | | | | | | | | | | | | | | | | | | | | | | | | | | | | | | | | | |
| | | Application Config | | | | | | | | | | | | | | | | | | | | | | | | | | | | | | | | | | | | | | | | | | | | | | | | | | | | | | | | | | | | | | | | | | | | | | | | | | | | | | | | | | | | | | | | | | | | | | | | | | | | | | | | | | | | | | | | | | | |
| | | FTAP Rate | | | | | | | | | | | | | | | | | | | | | | | | | | | | | | | | | | | | | | | | | | | | | | | | | | | | | | | | | | | | | | | | | | | | | | | | | | | | | | | | | | | | | | | | | | | | | | | | | | | | | | | | | | | | | | | | | | | |
| | | 307.2 kbps | | | | | | | | | | | | | | | | | | | | | | | | | | | | | | | | | | | | | | | | | | | | | | | | | | | | | | | | | | | | | | | | | | | | | | | | | | | | | | | | | | | | | | | | | | | | | | | | | | | | | | | | | | | | | | | | | | | |
| | | (2 Slot, QPSK) | | | | | | | | | | | | | | | | | | | | | | | | | | | | | | | | | | | | | | | | | | | | | | | | | | | | | | | | | | | | | | | | | | | | | | | | | | | | | | | | | | | | | | | | | | | | | | | | | | | | | | | | | | | | | | | | | | | |
| | | RTAP Rate | | | | | | | | | | | | | | | | | | | | | | | | | | | | | | | | | | | | | | | | | | | | | | | | | | | | | | | | | | | | | | | | | | | | | | | | | | | | | | | | | | | | | | | | | | | | | | | | | | | | | | | | | | | | | | | | | | | |
| | | 153.6 kbps | | | | | | | | | | | | | | | | | | | | | | | | | | | | | | | | | | | | | | | | | | | | | | | | | | | | | | | | | | | | | | | | | | | | | | | | | | | | | | | | | | | | | | | | | | | | | | | | | | | | | | | | | | | | | | | | | | | |
| | Active Cell Connected | Sys Type: IS-856 | | | | | | | | | | | | | | | | | | | | | | | | | | | | | | | | | | | | | | | | | | | | | | | | | | | | | | | | | | | | | | | | | | | | | | | | | | | | | | | | | | | | | | | | | | | | | | | | | | | | | | | | | | | | | | | | | | | |
| 1 of 2 | IntRef Offset | PLSub2 RTAP | | | | | | | | | | | | | | | | | | | | | | | | | | | | | | | | | | | | | | | | | | | | | | | | | | | | | | | | | | | | | | | | | | | | | | | | | | | | | | | | | | | | | | | | | | | | | | | | | | | | | | | | | | | | | | | | | | | |
| | | 1 of 3 | | | | | | | | | | | | | | | | | | | | | | | | | | | | | | | | | | | | | | | | | | | | | | | | | | | | | | | | | | | | | | | | | | | | | | | | | | | | | | | | | | | | | | | | | | | | | | | | | | | | | | | | | | | | | | | | | | | |
| <table border="1"> <thead> <tr> <th colspan="2">Measurement/Instrument Screen</th> <th>Call Parm</th> </tr> </thead> <tbody> <tr> <td>Control</td> <td>Digital Average Power</td> <td>Cell Power</td> </tr> <tr> <td>Digital Average Power Setup</td> <td>Digital Average Power 24.10 dBm</td> <td>-104.00</td> </tr> <tr> <td></td> <td>Expected AT Power (Pre-Trans): ---- dBm/1.23 MHz</td> <td>dBm/1.23 MHz</td> </tr> <tr> <td></td> <td>Expected AT Power (Post-Trans): ---- dBm/1.23 MHz</td> <td>dBm/1.23 MHz</td> </tr> <tr> <td></td> <td>100 /100</td> <td>Cell Band</td> </tr> <tr> <td></td> <td>Single</td> <td>US Cellular</td> </tr> <tr> <td>Calibrate Digital Avg Pur</td> <td></td> <td>Channel</td> </tr> <tr> <td></td> <td></td> <td>777</td> </tr> <tr> <td></td> <td></td> <td>Application Config</td> </tr> <tr> <td></td> <td></td> <td>F-Traffic Format</td> </tr> <tr> <td></td> <td></td> <td>9 (2048,1.64)</td> </tr> <tr> <td></td> <td></td> <td>(1228.8k, QPSK)</td> </tr> <tr> <td></td> <td></td> <td>R-Data Pkt Size</td> </tr> <tr> <td></td> <td></td> <td>4096</td> </tr> <tr> <td></td> <td></td> <td>bits</td> </tr> <tr> <td></td> <td>Active Cell Connected</td> <td>Sys Type: IS-856</td> </tr> <tr> <td>1 of 2</td> <td>IntRef Offset</td> <td>PLSub2 FETAP</td> </tr> <tr> <td></td> <td></td> <td>1 of 3</td> </tr> </tbody> </table> <p style="text-align: center;">FETAP / 1228.8 k</p> | | Measurement/Instrument Screen | | Call Parm | Control | Digital Average Power | Cell Power | Digital Average Power Setup | Digital Average Power 24.10 dBm | -104.00 | | Expected AT Power (Pre-Trans): ---- dBm/1.23 MHz | dBm/1.23 MHz | | Expected AT Power (Post-Trans): ---- dBm/1.23 MHz | dBm/1.23 MHz | | 100 /100 | Cell Band | | Single | US Cellular | Calibrate Digital Avg Pur | | Channel | | | 777 | | | Application Config | | | F-Traffic Format | | | 9 (2048,1.64) | | | (1228.8k, QPSK) | | | R-Data Pkt Size | | | 4096 | | | bits | | Active Cell Connected | Sys Type: IS-856 | 1 of 2 | IntRef Offset | PLSub2 FETAP | | | 1 of 3 | <table border="1"> <thead> <tr> <th colspan="2">Measurement/Instrument Screen</th> <th>Call Parm</th> </tr> </thead> <tbody> <tr> <td>Control</td> <td>Digital Average Power</td> <td>Cell Power</td> </tr> <tr> <td>Digital Average Power Setup</td> <td>Digital Average Power 23.27 dBm</td> <td>-104.00</td> </tr> <tr> <td></td> <td>Expected AT Power (Pre-Trans): ---- dBm/1.23 MHz</td> <td>dBm/1.23 MHz</td> </tr> <tr> <td></td> <td>Expected AT Power (Post-Trans): ---- dBm/1.23 MHz</td> <td>dBm/1.23 MHz</td> </tr> <tr> <td></td> <td>100 /100</td> <td>Cell Band</td> </tr> <tr> <td></td> <td>Single</td> <td>US Cellular</td> </tr> <tr> <td>Calibrate Digital Avg Pur</td> <td></td> <td>Channel</td> </tr> <tr> <td></td> <td></td> <td>777</td> </tr> <tr> <td></td> <td></td> <td>Application Config</td> </tr> <tr> <td></td> <td></td> <td>F-Traffic Format</td> </tr> <tr> <td></td> <td></td> <td>B (3072,1.64)</td> </tr> <tr> <td></td> <td></td> <td>(1843.2k, 8-PSK)</td> </tr> <tr> <td></td> <td></td> <td>R-Data Pkt Size</td> </tr> <tr> <td></td> <td></td> <td>4096</td> </tr> <tr> <td></td> <td></td> <td>bits</td> </tr> <tr> <td></td> <td>Active Cell Connected</td> <td>Sys Type: IS-856</td> </tr> <tr> <td>1 of 2</td> <td>IntRef Offset</td> <td>PLSub2 FETAP</td> </tr> <tr> <td></td> <td></td> <td>1 of 3</td> </tr> </tbody> </table> <p style="text-align: center;">FETAP / 1843.2 k</p> | | Measurement/Instrument Screen | | Call Parm | Control | Digital Average Power | Cell Power | Digital Average Power Setup | Digital Average Power 23.27 dBm | -104.00 | | Expected AT Power (Pre-Trans): ---- dBm/1.23 MHz | dBm/1.23 MHz | | Expected AT Power (Post-Trans): ---- dBm/1.23 MHz | dBm/1.23 MHz | | 100 /100 | Cell Band | | Single | US Cellular | Calibrate Digital Avg Pur | | Channel | | | 777 | | | Application Config | | | F-Traffic Format | | | B (3072,1.64) | | | (1843.2k, 8-PSK) | | | R-Data Pkt Size | | | 4096 | | | bits | | Active Cell Connected | Sys Type: IS-856 | 1 of 2 | IntRef Offset | PLSub2 FETAP | | | 1 of 3 |
| Measurement/Instrument Screen | | Call Parm | | | | | | | | | | | | | | | | | | | | | | | | | | | | | | | | | | | | | | | | | | | | | | | | | | | | | | | | | | | | | | | | | | | | | | | | | | | | | | | | | | | | | | | | | | | | | | | | | | | | | | | | | | | | | | | | | | | |
| Control | Digital Average Power | Cell Power | | | | | | | | | | | | | | | | | | | | | | | | | | | | | | | | | | | | | | | | | | | | | | | | | | | | | | | | | | | | | | | | | | | | | | | | | | | | | | | | | | | | | | | | | | | | | | | | | | | | | | | | | | | | | | | | | | | |
| Digital Average Power Setup | Digital Average Power 24.10 dBm | -104.00 | | | | | | | | | | | | | | | | | | | | | | | | | | | | | | | | | | | | | | | | | | | | | | | | | | | | | | | | | | | | | | | | | | | | | | | | | | | | | | | | | | | | | | | | | | | | | | | | | | | | | | | | | | | | | | | | | | | |
| | Expected AT Power (Pre-Trans): ---- dBm/1.23 MHz | dBm/1.23 MHz | | | | | | | | | | | | | | | | | | | | | | | | | | | | | | | | | | | | | | | | | | | | | | | | | | | | | | | | | | | | | | | | | | | | | | | | | | | | | | | | | | | | | | | | | | | | | | | | | | | | | | | | | | | | | | | | | | | |
| | Expected AT Power (Post-Trans): ---- dBm/1.23 MHz | dBm/1.23 MHz | | | | | | | | | | | | | | | | | | | | | | | | | | | | | | | | | | | | | | | | | | | | | | | | | | | | | | | | | | | | | | | | | | | | | | | | | | | | | | | | | | | | | | | | | | | | | | | | | | | | | | | | | | | | | | | | | | | |
| | 100 /100 | Cell Band | | | | | | | | | | | | | | | | | | | | | | | | | | | | | | | | | | | | | | | | | | | | | | | | | | | | | | | | | | | | | | | | | | | | | | | | | | | | | | | | | | | | | | | | | | | | | | | | | | | | | | | | | | | | | | | | | | | |
| | Single | US Cellular | | | | | | | | | | | | | | | | | | | | | | | | | | | | | | | | | | | | | | | | | | | | | | | | | | | | | | | | | | | | | | | | | | | | | | | | | | | | | | | | | | | | | | | | | | | | | | | | | | | | | | | | | | | | | | | | | | | |
| Calibrate Digital Avg Pur | | Channel | | | | | | | | | | | | | | | | | | | | | | | | | | | | | | | | | | | | | | | | | | | | | | | | | | | | | | | | | | | | | | | | | | | | | | | | | | | | | | | | | | | | | | | | | | | | | | | | | | | | | | | | | | | | | | | | | | | |
| | | 777 | | | | | | | | | | | | | | | | | | | | | | | | | | | | | | | | | | | | | | | | | | | | | | | | | | | | | | | | | | | | | | | | | | | | | | | | | | | | | | | | | | | | | | | | | | | | | | | | | | | | | | | | | | | | | | | | | | | |
| | | Application Config | | | | | | | | | | | | | | | | | | | | | | | | | | | | | | | | | | | | | | | | | | | | | | | | | | | | | | | | | | | | | | | | | | | | | | | | | | | | | | | | | | | | | | | | | | | | | | | | | | | | | | | | | | | | | | | | | | | |
| | | F-Traffic Format | | | | | | | | | | | | | | | | | | | | | | | | | | | | | | | | | | | | | | | | | | | | | | | | | | | | | | | | | | | | | | | | | | | | | | | | | | | | | | | | | | | | | | | | | | | | | | | | | | | | | | | | | | | | | | | | | | | |
| | | 9 (2048,1.64) | | | | | | | | | | | | | | | | | | | | | | | | | | | | | | | | | | | | | | | | | | | | | | | | | | | | | | | | | | | | | | | | | | | | | | | | | | | | | | | | | | | | | | | | | | | | | | | | | | | | | | | | | | | | | | | | | | | |
| | | (1228.8k, QPSK) | | | | | | | | | | | | | | | | | | | | | | | | | | | | | | | | | | | | | | | | | | | | | | | | | | | | | | | | | | | | | | | | | | | | | | | | | | | | | | | | | | | | | | | | | | | | | | | | | | | | | | | | | | | | | | | | | | | |
| | | R-Data Pkt Size | | | | | | | | | | | | | | | | | | | | | | | | | | | | | | | | | | | | | | | | | | | | | | | | | | | | | | | | | | | | | | | | | | | | | | | | | | | | | | | | | | | | | | | | | | | | | | | | | | | | | | | | | | | | | | | | | | | |
| | | 4096 | | | | | | | | | | | | | | | | | | | | | | | | | | | | | | | | | | | | | | | | | | | | | | | | | | | | | | | | | | | | | | | | | | | | | | | | | | | | | | | | | | | | | | | | | | | | | | | | | | | | | | | | | | | | | | | | | | | |
| | | bits | | | | | | | | | | | | | | | | | | | | | | | | | | | | | | | | | | | | | | | | | | | | | | | | | | | | | | | | | | | | | | | | | | | | | | | | | | | | | | | | | | | | | | | | | | | | | | | | | | | | | | | | | | | | | | | | | | | |
| | Active Cell Connected | Sys Type: IS-856 | | | | | | | | | | | | | | | | | | | | | | | | | | | | | | | | | | | | | | | | | | | | | | | | | | | | | | | | | | | | | | | | | | | | | | | | | | | | | | | | | | | | | | | | | | | | | | | | | | | | | | | | | | | | | | | | | | | |
| 1 of 2 | IntRef Offset | PLSub2 FETAP | | | | | | | | | | | | | | | | | | | | | | | | | | | | | | | | | | | | | | | | | | | | | | | | | | | | | | | | | | | | | | | | | | | | | | | | | | | | | | | | | | | | | | | | | | | | | | | | | | | | | | | | | | | | | | | | | | | |
| | | 1 of 3 | | | | | | | | | | | | | | | | | | | | | | | | | | | | | | | | | | | | | | | | | | | | | | | | | | | | | | | | | | | | | | | | | | | | | | | | | | | | | | | | | | | | | | | | | | | | | | | | | | | | | | | | | | | | | | | | | | | |
| Measurement/Instrument Screen | | Call Parm | | | | | | | | | | | | | | | | | | | | | | | | | | | | | | | | | | | | | | | | | | | | | | | | | | | | | | | | | | | | | | | | | | | | | | | | | | | | | | | | | | | | | | | | | | | | | | | | | | | | | | | | | | | | | | | | | | | |
| Control | Digital Average Power | Cell Power | | | | | | | | | | | | | | | | | | | | | | | | | | | | | | | | | | | | | | | | | | | | | | | | | | | | | | | | | | | | | | | | | | | | | | | | | | | | | | | | | | | | | | | | | | | | | | | | | | | | | | | | | | | | | | | | | | | |
| Digital Average Power Setup | Digital Average Power 23.27 dBm | -104.00 | | | | | | | | | | | | | | | | | | | | | | | | | | | | | | | | | | | | | | | | | | | | | | | | | | | | | | | | | | | | | | | | | | | | | | | | | | | | | | | | | | | | | | | | | | | | | | | | | | | | | | | | | | | | | | | | | | | |
| | Expected AT Power (Pre-Trans): ---- dBm/1.23 MHz | dBm/1.23 MHz | | | | | | | | | | | | | | | | | | | | | | | | | | | | | | | | | | | | | | | | | | | | | | | | | | | | | | | | | | | | | | | | | | | | | | | | | | | | | | | | | | | | | | | | | | | | | | | | | | | | | | | | | | | | | | | | | | | |
| | Expected AT Power (Post-Trans): ---- dBm/1.23 MHz | dBm/1.23 MHz | | | | | | | | | | | | | | | | | | | | | | | | | | | | | | | | | | | | | | | | | | | | | | | | | | | | | | | | | | | | | | | | | | | | | | | | | | | | | | | | | | | | | | | | | | | | | | | | | | | | | | | | | | | | | | | | | | | |
| | 100 /100 | Cell Band | | | | | | | | | | | | | | | | | | | | | | | | | | | | | | | | | | | | | | | | | | | | | | | | | | | | | | | | | | | | | | | | | | | | | | | | | | | | | | | | | | | | | | | | | | | | | | | | | | | | | | | | | | | | | | | | | | | |
| | Single | US Cellular | | | | | | | | | | | | | | | | | | | | | | | | | | | | | | | | | | | | | | | | | | | | | | | | | | | | | | | | | | | | | | | | | | | | | | | | | | | | | | | | | | | | | | | | | | | | | | | | | | | | | | | | | | | | | | | | | | | |
| Calibrate Digital Avg Pur | | Channel | | | | | | | | | | | | | | | | | | | | | | | | | | | | | | | | | | | | | | | | | | | | | | | | | | | | | | | | | | | | | | | | | | | | | | | | | | | | | | | | | | | | | | | | | | | | | | | | | | | | | | | | | | | | | | | | | | | |
| | | 777 | | | | | | | | | | | | | | | | | | | | | | | | | | | | | | | | | | | | | | | | | | | | | | | | | | | | | | | | | | | | | | | | | | | | | | | | | | | | | | | | | | | | | | | | | | | | | | | | | | | | | | | | | | | | | | | | | | | |
| | | Application Config | | | | | | | | | | | | | | | | | | | | | | | | | | | | | | | | | | | | | | | | | | | | | | | | | | | | | | | | | | | | | | | | | | | | | | | | | | | | | | | | | | | | | | | | | | | | | | | | | | | | | | | | | | | | | | | | | | | |
| | | F-Traffic Format | | | | | | | | | | | | | | | | | | | | | | | | | | | | | | | | | | | | | | | | | | | | | | | | | | | | | | | | | | | | | | | | | | | | | | | | | | | | | | | | | | | | | | | | | | | | | | | | | | | | | | | | | | | | | | | | | | | |
| | | B (3072,1.64) | | | | | | | | | | | | | | | | | | | | | | | | | | | | | | | | | | | | | | | | | | | | | | | | | | | | | | | | | | | | | | | | | | | | | | | | | | | | | | | | | | | | | | | | | | | | | | | | | | | | | | | | | | | | | | | | | | | |
| | | (1843.2k, 8-PSK) | | | | | | | | | | | | | | | | | | | | | | | | | | | | | | | | | | | | | | | | | | | | | | | | | | | | | | | | | | | | | | | | | | | | | | | | | | | | | | | | | | | | | | | | | | | | | | | | | | | | | | | | | | | | | | | | | | | |
| | | R-Data Pkt Size | | | | | | | | | | | | | | | | | | | | | | | | | | | | | | | | | | | | | | | | | | | | | | | | | | | | | | | | | | | | | | | | | | | | | | | | | | | | | | | | | | | | | | | | | | | | | | | | | | | | | | | | | | | | | | | | | | | |
| | | 4096 | | | | | | | | | | | | | | | | | | | | | | | | | | | | | | | | | | | | | | | | | | | | | | | | | | | | | | | | | | | | | | | | | | | | | | | | | | | | | | | | | | | | | | | | | | | | | | | | | | | | | | | | | | | | | | | | | | | |
| | | bits | | | | | | | | | | | | | | | | | | | | | | | | | | | | | | | | | | | | | | | | | | | | | | | | | | | | | | | | | | | | | | | | | | | | | | | | | | | | | | | | | | | | | | | | | | | | | | | | | | | | | | | | | | | | | | | | | | | |
| | Active Cell Connected | Sys Type: IS-856 | | | | | | | | | | | | | | | | | | | | | | | | | | | | | | | | | | | | | | | | | | | | | | | | | | | | | | | | | | | | | | | | | | | | | | | | | | | | | | | | | | | | | | | | | | | | | | | | | | | | | | | | | | | | | | | | | | | |
| 1 of 2 | IntRef Offset | PLSub2 FETAP | | | | | | | | | | | | | | | | | | | | | | | | | | | | | | | | | | | | | | | | | | | | | | | | | | | | | | | | | | | | | | | | | | | | | | | | | | | | | | | | | | | | | | | | | | | | | | | | | | | | | | | | | | | | | | | | | | | |
| | | 1 of 3 | | | | | | | | | | | | | | | | | | | | | | | | | | | | | | | | | | | | | | | | | | | | | | | | | | | | | | | | | | | | | | | | | | | | | | | | | | | | | | | | | | | | | | | | | | | | | | | | | | | | | | | | | | | | | | | | | | | |
| <table border="1"> <thead> <tr> <th colspan="2">Measurement/Instrument Screen</th> <th>Call Parm</th> </tr> </thead> <tbody> <tr> <td>Control</td> <td>Digital Average Power</td> <td>Cell Power</td> </tr> <tr> <td>Digital Average Power Setup</td> <td>Digital Average Power 23.42 dBm</td> <td>-104.00</td> </tr> <tr> <td></td> <td>Expected AT Power (Pre-Trans): ---- dBm/1.23 MHz</td> <td>dBm/1.23 MHz</td> </tr> <tr> <td></td> <td>Expected AT Power (Post-Trans): ---- dBm/1.23 MHz</td> <td>dBm/1.23 MHz</td> </tr> <tr> <td></td> <td>100 /100</td> <td>Cell Band</td> </tr> <tr> <td></td> <td>Single</td> <td>US Cellular</td> </tr> <tr> <td>Calibrate Digital Avg Pur</td> <td></td> <td>Channel</td> </tr> <tr> <td></td> <td></td> <td>777</td> </tr> <tr> <td></td> <td></td> <td>Application Config</td> </tr> <tr> <td></td> <td></td> <td>F-Traffic Format</td> </tr> <tr> <td></td> <td></td> <td>E (5120,1.64)</td> </tr> <tr> <td></td> <td></td> <td>(3072.0k,16-QAM)</td> </tr> <tr> <td></td> <td></td> <td>R-Data Pkt Size</td> </tr> <tr> <td></td> <td></td> <td>4096</td> </tr> <tr> <td></td> <td></td> <td>bits</td> </tr> <tr> <td></td> <td>Active Cell Connected</td> <td>Sys Type: IS-856</td> </tr> <tr> <td>1 of 2</td> <td>IntRef Offset</td> <td>PLSub2 FETAP</td> </tr> <tr> <td></td> <td></td> <td>1 of 3</td> </tr> </tbody> </table> <p style="text-align: center;">FETAP / 3072 k</p> | | Measurement/Instrument Screen | | Call Parm | Control | Digital Average Power | Cell Power | Digital Average Power Setup | Digital Average Power 23.42 dBm | -104.00 | | Expected AT Power (Pre-Trans): ---- dBm/1.23 MHz | dBm/1.23 MHz | | Expected AT Power (Post-Trans): ---- dBm/1.23 MHz | dBm/1.23 MHz | | 100 /100 | Cell Band | | Single | US Cellular | Calibrate Digital Avg Pur | | Channel | | | 777 | | | Application Config | | | F-Traffic Format | | | E (5120,1.64) | | | (3072.0k,16-QAM) | | | R-Data Pkt Size | | | 4096 | | | bits | | Active Cell Connected | Sys Type: IS-856 | 1 of 2 | IntRef Offset | PLSub2 FETAP | | | 1 of 3 | <table border="1"> <thead> <tr> <th colspan="2">Measurement/Instrument Screen</th> <th>Call Parm</th> </tr> </thead> <tbody> <tr> <td>Control</td> <td>Digital Average Power</td> <td>Cell Power</td> </tr> <tr> <td>Digital Average Power Setup</td> <td>Digital Average Power 23.26 dBm</td> <td>-104.00</td> </tr> <tr> <td></td> <td>Expected AT Power (Pre-Trans): 23.00 dBm/1.23 MHz</td> <td>dBm/1.23 MHz</td> </tr> <tr> <td></td> <td>Expected AT Power (Post-Trans): 23.00 dBm/1.23 MHz</td> <td>dBm/1.23 MHz</td> </tr> <tr> <td></td> <td>100 /100</td> <td>Cell Band</td> </tr> <tr> <td></td> <td>Single</td> <td>US Cellular</td> </tr> <tr> <td>Calibrate Digital Avg Pur</td> <td></td> <td>Channel</td> </tr> <tr> <td></td> <td></td> <td>777</td> </tr> <tr> <td></td> <td></td> <td>Application Config</td> </tr> <tr> <td></td> <td></td> <td>F-Traffic Format</td> </tr> <tr> <td></td> <td></td> <td>E (5120,1.64)</td> </tr> <tr> <td></td> <td></td> <td>(3072.0k,16-QAM)</td> </tr> <tr> <td></td> <td></td> <td>R-Data Pkt Size</td> </tr> <tr> <td></td> <td></td> <td>4096</td> </tr> <tr> <td></td> <td></td> <td>bits</td> </tr> <tr> <td></td> <td>Active Cell Connected</td> <td>Sys Type: IS-856</td> </tr> <tr> <td>1 of 2</td> <td>IntRef Offset</td> <td>PLSub2 RETAP</td> </tr> <tr> <td></td> <td></td> <td>1 of 3</td> </tr> </tbody> </table> <p style="text-align: center;">RETAP / 4096 b</p> | | Measurement/Instrument Screen | | Call Parm | Control | Digital Average Power | Cell Power | Digital Average Power Setup | Digital Average Power 23.26 dBm | -104.00 | | Expected AT Power (Pre-Trans): 23.00 dBm/1.23 MHz | dBm/1.23 MHz | | Expected AT Power (Post-Trans): 23.00 dBm/1.23 MHz | dBm/1.23 MHz | | 100 /100 | Cell Band | | Single | US Cellular | Calibrate Digital Avg Pur | | Channel | | | 777 | | | Application Config | | | F-Traffic Format | | | E (5120,1.64) | | | (3072.0k,16-QAM) | | | R-Data Pkt Size | | | 4096 | | | bits | | Active Cell Connected | Sys Type: IS-856 | 1 of 2 | IntRef Offset | PLSub2 RETAP | | | 1 of 3 |
| Measurement/Instrument Screen | | Call Parm | | | | | | | | | | | | | | | | | | | | | | | | | | | | | | | | | | | | | | | | | | | | | | | | | | | | | | | | | | | | | | | | | | | | | | | | | | | | | | | | | | | | | | | | | | | | | | | | | | | | | | | | | | | | | | | | | | | |
| Control | Digital Average Power | Cell Power | | | | | | | | | | | | | | | | | | | | | | | | | | | | | | | | | | | | | | | | | | | | | | | | | | | | | | | | | | | | | | | | | | | | | | | | | | | | | | | | | | | | | | | | | | | | | | | | | | | | | | | | | | | | | | | | | | | |
| Digital Average Power Setup | Digital Average Power 23.42 dBm | -104.00 | | | | | | | | | | | | | | | | | | | | | | | | | | | | | | | | | | | | | | | | | | | | | | | | | | | | | | | | | | | | | | | | | | | | | | | | | | | | | | | | | | | | | | | | | | | | | | | | | | | | | | | | | | | | | | | | | | | |
| | Expected AT Power (Pre-Trans): ---- dBm/1.23 MHz | dBm/1.23 MHz | | | | | | | | | | | | | | | | | | | | | | | | | | | | | | | | | | | | | | | | | | | | | | | | | | | | | | | | | | | | | | | | | | | | | | | | | | | | | | | | | | | | | | | | | | | | | | | | | | | | | | | | | | | | | | | | | | | |
| | Expected AT Power (Post-Trans): ---- dBm/1.23 MHz | dBm/1.23 MHz | | | | | | | | | | | | | | | | | | | | | | | | | | | | | | | | | | | | | | | | | | | | | | | | | | | | | | | | | | | | | | | | | | | | | | | | | | | | | | | | | | | | | | | | | | | | | | | | | | | | | | | | | | | | | | | | | | | |
| | 100 /100 | Cell Band | | | | | | | | | | | | | | | | | | | | | | | | | | | | | | | | | | | | | | | | | | | | | | | | | | | | | | | | | | | | | | | | | | | | | | | | | | | | | | | | | | | | | | | | | | | | | | | | | | | | | | | | | | | | | | | | | | | |
| | Single | US Cellular | | | | | | | | | | | | | | | | | | | | | | | | | | | | | | | | | | | | | | | | | | | | | | | | | | | | | | | | | | | | | | | | | | | | | | | | | | | | | | | | | | | | | | | | | | | | | | | | | | | | | | | | | | | | | | | | | | | |
| Calibrate Digital Avg Pur | | Channel | | | | | | | | | | | | | | | | | | | | | | | | | | | | | | | | | | | | | | | | | | | | | | | | | | | | | | | | | | | | | | | | | | | | | | | | | | | | | | | | | | | | | | | | | | | | | | | | | | | | | | | | | | | | | | | | | | | |
| | | 777 | | | | | | | | | | | | | | | | | | | | | | | | | | | | | | | | | | | | | | | | | | | | | | | | | | | | | | | | | | | | | | | | | | | | | | | | | | | | | | | | | | | | | | | | | | | | | | | | | | | | | | | | | | | | | | | | | | | |
| | | Application Config | | | | | | | | | | | | | | | | | | | | | | | | | | | | | | | | | | | | | | | | | | | | | | | | | | | | | | | | | | | | | | | | | | | | | | | | | | | | | | | | | | | | | | | | | | | | | | | | | | | | | | | | | | | | | | | | | | | |
| | | F-Traffic Format | | | | | | | | | | | | | | | | | | | | | | | | | | | | | | | | | | | | | | | | | | | | | | | | | | | | | | | | | | | | | | | | | | | | | | | | | | | | | | | | | | | | | | | | | | | | | | | | | | | | | | | | | | | | | | | | | | | |
| | | E (5120,1.64) | | | | | | | | | | | | | | | | | | | | | | | | | | | | | | | | | | | | | | | | | | | | | | | | | | | | | | | | | | | | | | | | | | | | | | | | | | | | | | | | | | | | | | | | | | | | | | | | | | | | | | | | | | | | | | | | | | | |
| | | (3072.0k,16-QAM) | | | | | | | | | | | | | | | | | | | | | | | | | | | | | | | | | | | | | | | | | | | | | | | | | | | | | | | | | | | | | | | | | | | | | | | | | | | | | | | | | | | | | | | | | | | | | | | | | | | | | | | | | | | | | | | | | | | |
| | | R-Data Pkt Size | | | | | | | | | | | | | | | | | | | | | | | | | | | | | | | | | | | | | | | | | | | | | | | | | | | | | | | | | | | | | | | | | | | | | | | | | | | | | | | | | | | | | | | | | | | | | | | | | | | | | | | | | | | | | | | | | | | |
| | | 4096 | | | | | | | | | | | | | | | | | | | | | | | | | | | | | | | | | | | | | | | | | | | | | | | | | | | | | | | | | | | | | | | | | | | | | | | | | | | | | | | | | | | | | | | | | | | | | | | | | | | | | | | | | | | | | | | | | | | |
| | | bits | | | | | | | | | | | | | | | | | | | | | | | | | | | | | | | | | | | | | | | | | | | | | | | | | | | | | | | | | | | | | | | | | | | | | | | | | | | | | | | | | | | | | | | | | | | | | | | | | | | | | | | | | | | | | | | | | | | |
| | Active Cell Connected | Sys Type: IS-856 | | | | | | | | | | | | | | | | | | | | | | | | | | | | | | | | | | | | | | | | | | | | | | | | | | | | | | | | | | | | | | | | | | | | | | | | | | | | | | | | | | | | | | | | | | | | | | | | | | | | | | | | | | | | | | | | | | | |
| 1 of 2 | IntRef Offset | PLSub2 FETAP | | | | | | | | | | | | | | | | | | | | | | | | | | | | | | | | | | | | | | | | | | | | | | | | | | | | | | | | | | | | | | | | | | | | | | | | | | | | | | | | | | | | | | | | | | | | | | | | | | | | | | | | | | | | | | | | | | | |
| | | 1 of 3 | | | | | | | | | | | | | | | | | | | | | | | | | | | | | | | | | | | | | | | | | | | | | | | | | | | | | | | | | | | | | | | | | | | | | | | | | | | | | | | | | | | | | | | | | | | | | | | | | | | | | | | | | | | | | | | | | | | |
| Measurement/Instrument Screen | | Call Parm | | | | | | | | | | | | | | | | | | | | | | | | | | | | | | | | | | | | | | | | | | | | | | | | | | | | | | | | | | | | | | | | | | | | | | | | | | | | | | | | | | | | | | | | | | | | | | | | | | | | | | | | | | | | | | | | | | | |
| Control | Digital Average Power | Cell Power | | | | | | | | | | | | | | | | | | | | | | | | | | | | | | | | | | | | | | | | | | | | | | | | | | | | | | | | | | | | | | | | | | | | | | | | | | | | | | | | | | | | | | | | | | | | | | | | | | | | | | | | | | | | | | | | | | | |
| Digital Average Power Setup | Digital Average Power 23.26 dBm | -104.00 | | | | | | | | | | | | | | | | | | | | | | | | | | | | | | | | | | | | | | | | | | | | | | | | | | | | | | | | | | | | | | | | | | | | | | | | | | | | | | | | | | | | | | | | | | | | | | | | | | | | | | | | | | | | | | | | | | | |
| | Expected AT Power (Pre-Trans): 23.00 dBm/1.23 MHz | dBm/1.23 MHz | | | | | | | | | | | | | | | | | | | | | | | | | | | | | | | | | | | | | | | | | | | | | | | | | | | | | | | | | | | | | | | | | | | | | | | | | | | | | | | | | | | | | | | | | | | | | | | | | | | | | | | | | | | | | | | | | | | |
| | Expected AT Power (Post-Trans): 23.00 dBm/1.23 MHz | dBm/1.23 MHz | | | | | | | | | | | | | | | | | | | | | | | | | | | | | | | | | | | | | | | | | | | | | | | | | | | | | | | | | | | | | | | | | | | | | | | | | | | | | | | | | | | | | | | | | | | | | | | | | | | | | | | | | | | | | | | | | | | |
| | 100 /100 | Cell Band | | | | | | | | | | | | | | | | | | | | | | | | | | | | | | | | | | | | | | | | | | | | | | | | | | | | | | | | | | | | | | | | | | | | | | | | | | | | | | | | | | | | | | | | | | | | | | | | | | | | | | | | | | | | | | | | | | | |
| | Single | US Cellular | | | | | | | | | | | | | | | | | | | | | | | | | | | | | | | | | | | | | | | | | | | | | | | | | | | | | | | | | | | | | | | | | | | | | | | | | | | | | | | | | | | | | | | | | | | | | | | | | | | | | | | | | | | | | | | | | | | |
| Calibrate Digital Avg Pur | | Channel | | | | | | | | | | | | | | | | | | | | | | | | | | | | | | | | | | | | | | | | | | | | | | | | | | | | | | | | | | | | | | | | | | | | | | | | | | | | | | | | | | | | | | | | | | | | | | | | | | | | | | | | | | | | | | | | | | | |
| | | 777 | | | | | | | | | | | | | | | | | | | | | | | | | | | | | | | | | | | | | | | | | | | | | | | | | | | | | | | | | | | | | | | | | | | | | | | | | | | | | | | | | | | | | | | | | | | | | | | | | | | | | | | | | | | | | | | | | | | |
| | | Application Config | | | | | | | | | | | | | | | | | | | | | | | | | | | | | | | | | | | | | | | | | | | | | | | | | | | | | | | | | | | | | | | | | | | | | | | | | | | | | | | | | | | | | | | | | | | | | | | | | | | | | | | | | | | | | | | | | | | |
| | | F-Traffic Format | | | | | | | | | | | | | | | | | | | | | | | | | | | | | | | | | | | | | | | | | | | | | | | | | | | | | | | | | | | | | | | | | | | | | | | | | | | | | | | | | | | | | | | | | | | | | | | | | | | | | | | | | | | | | | | | | | | |
| | | E (5120,1.64) | | | | | | | | | | | | | | | | | | | | | | | | | | | | | | | | | | | | | | | | | | | | | | | | | | | | | | | | | | | | | | | | | | | | | | | | | | | | | | | | | | | | | | | | | | | | | | | | | | | | | | | | | | | | | | | | | | | |
| | | (3072.0k,16-QAM) | | | | | | | | | | | | | | | | | | | | | | | | | | | | | | | | | | | | | | | | | | | | | | | | | | | | | | | | | | | | | | | | | | | | | | | | | | | | | | | | | | | | | | | | | | | | | | | | | | | | | | | | | | | | | | | | | | | |
| | | R-Data Pkt Size | | | | | | | | | | | | | | | | | | | | | | | | | | | | | | | | | | | | | | | | | | | | | | | | | | | | | | | | | | | | | | | | | | | | | | | | | | | | | | | | | | | | | | | | | | | | | | | | | | | | | | | | | | | | | | | | | | | |
| | | 4096 | | | | | | | | | | | | | | | | | | | | | | | | | | | | | | | | | | | | | | | | | | | | | | | | | | | | | | | | | | | | | | | | | | | | | | | | | | | | | | | | | | | | | | | | | | | | | | | | | | | | | | | | | | | | | | | | | | | |
| | | bits | | | | | | | | | | | | | | | | | | | | | | | | | | | | | | | | | | | | | | | | | | | | | | | | | | | | | | | | | | | | | | | | | | | | | | | | | | | | | | | | | | | | | | | | | | | | | | | | | | | | | | | | | | | | | | | | | | | |
| | Active Cell Connected | Sys Type: IS-856 | | | | | | | | | | | | | | | | | | | | | | | | | | | | | | | | | | | | | | | | | | | | | | | | | | | | | | | | | | | | | | | | | | | | | | | | | | | | | | | | | | | | | | | | | | | | | | | | | | | | | | | | | | | | | | | | | | | |
| 1 of 2 | IntRef Offset | PLSub2 RETAP | | | | | | | | | | | | | | | | | | | | | | | | | | | | | | | | | | | | | | | | | | | | | | | | | | | | | | | | | | | | | | | | | | | | | | | | | | | | | | | | | | | | | | | | | | | | | | | | | | | | | | | | | | | | | | | | | | | |
| | | 1 of 3 | | | | | | | | | | | | | | | | | | | | | | | | | | | | | | | | | | | | | | | | | | | | | | | | | | | | | | | | | | | | | | | | | | | | | | | | | | | | | | | | | | | | | | | | | | | | | | | | | | | | | | | | | | | | | | | | | | | |

7. Effective Radiated power

7.1 Test Procedure

- a. All measurements were done at low, middle and high operational frequency range. RBW and VBW is 3MHz for CDMA mode.
- b. Substitution method is used for ERP measurement. In the open-site chamber, EUT placed on the 0.8m height of Turn Table, rotated the table around 360 degrees to search the maximum radiation power and receiver antenna shall be rotated vertical and horizontal polarization and moved height from 1m to 4m to find the maximum polar radiated power. The “Read Value” is the spectrum reading the maximum power value.
- c. The substitution dipole antenna is substituted for EUT at the same position and signals generator export the CW signal to the substitution antenna via a tx cable. Rotated the Turn Table and moved receiving antenna to find the maximum radiation power. Adjust output power level of S.G to get a Value of spectrum reading equal to “Read Value” of step b. Record the power level of S.G
- d. ERP = Output power level of S.G – TX cable loss + Antenna gain of substitution dipole

* This device was tested under all configurations and the highest power is reported. Also, we have done XY, YZ, ZX planes in EUT and horizontal and vertical polarization in detecting antenna.

* The worst case of CDMA mode is

CDMA : RC3/SO32+F-SCH

CDMA EVDO : Rev.0 RTAP 153.6 k

* Configuration : refer to 5.3 chapter.

* Simulator call mode : all bit up

7.2 Test Result

| Mode | Radio Config | FCH Svc opt. | Low ch : | Mid ch : | High ch : |
|---------------------|--------------|--------------|------------------------|------------------------|------------------------|
| | | | 1013 | 384 | 779 |
| | | | Freq(MHz) : | Freq(MHz) : | Freq(MHz) : |
| | | | 824.70 | 836.52 | 848.31 |
| CDMA | 3 | SO32+F-SCH | 0.244 W (23.87 dBm) | 0.245 W (23.90 dBm) | 0.125 W (20.98 dBm) |
| CDMA EVDO Rev. 0 | RTAP | 153.6 k | 0.255 W (24.06 dBm) | 0.261 W (24.17 dBm) | 0.139 W (21.43 dBm) |

7.3 Test Criteria

The ERP of mobile transmitters and auxiliary test transmitters must not exceed 7 Watts.

7.3 Test Result

7.3.1 XY SCAN

| MODE | CH /FREQ | | Polar | SCAN | Measured Level | Measured Level | Substitute Level | ANT Gain | Cable Loss | ERP | |
|------------------|----------|------------|---------|-------|----------------|----------------|------------------|----------|------------|-------|-------|
| | CHANNEL | FREQ (MHz) | Hor/Ver | X,Y,Z | (dBuV) | (dBm) | (dBm) | (dB) | (dB) | W | dBm |
| RC3 / SO32+F-SCH | 1013 | 824.70 | V | XY | 96.20 | -10.80 | 35.65 | -9.83 | 1.94 | 0.244 | 23.87 |
| | 384 | 836.52 | | XY | 96.97 | -10.03 | 35.64 | -9.83 | 1.92 | 0.245 | 23.90 |
| | 777 | 848.31 | | XY | 94.62 | -12.38 | 32.73 | -9.82 | 1.93 | 0.125 | 20.98 |
| RC3 / SO32+F-SCH | 1013 | 824.70 | H | XY | 83.63 | -23.37 | 21.35 | -9.83 | 1.94 | 0.009 | 9.57 |
| | 384 | 836.52 | | XY | 83.21 | -23.79 | 20.01 | -9.83 | 1.92 | 0.007 | 8.27 |
| | 777 | 848.31 | | XY | 81.63 | -25.37 | 18.16 | -9.82 | 1.93 | 0.004 | 6.41 |
| RTAP / 153.6K | 1013 | 824.70 | V | XY | 96.39 | -10.61 | 35.84 | -9.83 | 1.94 | 0.255 | 24.06 |
| | 384 | 836.52 | | XY | 97.24 | -9.76 | 35.91 | -9.83 | 1.92 | 0.261 | 24.17 |
| | 777 | 848.31 | | XY | 95.07 | -11.93 | 33.18 | -9.82 | 1.93 | 0.139 | 21.43 |
| RTAP / 153.6K | 1013 | 824.70 | H | XY | 83.34 | -23.66 | 21.06 | -9.83 | 1.94 | 0.008 | 9.28 |
| | 384 | 836.52 | | XY | 83.91 | -23.09 | 20.71 | -9.83 | 1.92 | 0.008 | 8.97 |
| | 777 | 848.31 | | XY | 82.22 | -24.78 | 18.75 | -9.82 | 1.93 | 0.005 | 7.00 |

7.3.2 YZ SCAN

| MODE | CH /FREQ | | Polar | SCAN | Measured Level | Measured Level | Substitute Level | ANT Gain | Cable Loss | ERP | |
|------------------|----------|------------|---------|-------|----------------|----------------|------------------|----------|------------|-------|-------|
| | CHANNEL | FREQ (MHz) | Hor/Ver | X,Y,Z | (dBuV) | (dBm) | (dBm) | (dB) | (dB) | W | dBm |
| RC3 / SO32+F-SCH | 1013 | 824.70 | V | YZ | 88.60 | -18.40 | 28.05 | -9.83 | 1.94 | 0.042 | 16.27 |
| | 384 | 836.52 | | YZ | 87.84 | -19.16 | 26.51 | -9.83 | 1.92 | 0.030 | 14.77 |
| | 777 | 848.31 | | YZ | 86.17 | -20.83 | 24.28 | -9.82 | 1.93 | 0.018 | 12.53 |
| RC3 / SO32+F-SCH | 1013 | 824.70 | H | YZ | 97.86 | -9.14 | 35.58 | -9.83 | 1.94 | 0.240 | 23.80 |
| | 384 | 836.52 | | YZ | 97.83 | -9.17 | 34.63 | -9.83 | 1.92 | 0.194 | 22.89 |
| | 777 | 848.31 | | YZ | 96.22 | -10.78 | 32.75 | -9.82 | 1.93 | 0.126 | 21.00 |
| RTAP / 153.6K | 1013 | 824.70 | V | YZ | 88.50 | -18.50 | 27.95 | -9.83 | 1.94 | 0.041 | 16.17 |
| | 384 | 836.52 | | YZ | 87.97 | -19.03 | 26.64 | -9.83 | 1.92 | 0.031 | 14.90 |
| | 777 | 848.31 | | YZ | 86.35 | -20.65 | 24.46 | -9.82 | 1.93 | 0.019 | 12.71 |
| RTAP / 153.6K | 1013 | 824.70 | H | YZ | 97.90 | -9.10 | 35.62 | -9.83 | 1.94 | 0.242 | 23.84 |
| | 384 | 836.52 | | YZ | 98.08 | -8.92 | 34.88 | -9.83 | 1.92 | 0.206 | 23.14 |
| | 777 | 848.31 | | YZ | 96.58 | -10.42 | 33.11 | -9.82 | 1.93 | 0.137 | 21.36 |

7.3.3 ZX SCAN

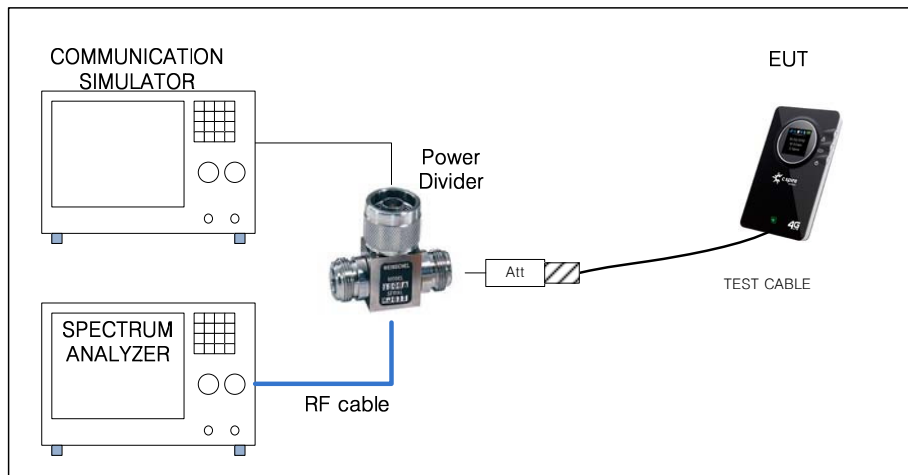
| MODE | CH /FREQ | | Polar | SCAN | Measured Level | Measured Level | Substitute Level | ANT Gain | Cable Loss | ERP | |
|------------------|----------|------------|---------|-------|----------------|----------------|------------------|----------|------------|-------|-------|
| | CHANNEL | FREQ (MHz) | Hor/Ver | X,Y,Z | (dBuV) | (dBm) | (dBm) | (dB) | (dB) | W | dBm |
| RC3 / SO32+F-SCH | 1013 | 824.70 | V | ZX | 92.56 | -14.44 | 32.01 | -9.83 | 1.94 | 0.105 | 20.23 |
| | 384 | 836.52 | | ZX | 92.18 | -14.82 | 30.85 | -9.83 | 1.92 | 0.081 | 19.11 |
| | 777 | 848.31 | | ZX | 91.26 | -15.74 | 29.37 | -9.82 | 1.93 | 0.058 | 17.62 |
| RC3 / SO32+F-SCH | 1013 | 824.70 | H | ZX | 96.87 | -10.13 | 34.59 | -9.83 | 1.94 | 0.191 | 22.81 |
| | 384 | 836.52 | | ZX | 96.66 | -10.34 | 33.46 | -9.83 | 1.92 | 0.148 | 21.72 |
| | 777 | 848.31 | | ZX | 94.25 | -12.75 | 30.78 | -9.82 | 1.93 | 0.080 | 19.03 |
| RTAP / 153.6K | 1013 | 824.70 | V | ZX | 92.24 | -14.76 | 31.69 | -9.83 | 1.94 | 0.098 | 19.91 |
| | 384 | 836.52 | | ZX | 93.09 | -13.91 | 31.76 | -9.83 | 1.92 | 0.100 | 20.02 |
| | 777 | 848.31 | | ZX | 91.93 | -15.07 | 30.04 | -9.82 | 1.93 | 0.067 | 18.29 |
| RTAP / 153.6K | 1013 | 824.70 | H | ZX | 96.80 | -10.20 | 34.52 | -9.83 | 1.94 | 0.188 | 22.74 |
| | 384 | 836.52 | | ZX | 96.90 | -10.10 | 33.70 | -9.83 | 1.92 | 0.157 | 21.96 |
| | 777 | 848.31 | | ZX | 94.76 | -12.24 | 31.29 | -9.82 | 1.93 | 0.090 | 19.54 |

8. Peak to Average Ratio

8.1 Test Procedure

A peak to average ratio measurement is performed at the conducted port of the EUT. For CDMA and WCDMA signals, the spectrum analyzers Complementary Cumulative Distribution Function (CCDF) measurement profile is used to determine the largest deviation between the average and the peak power of the EUT in a given bandwidth. The CCDF curve shows how much time the peak waveform spends at or above a given average power level. The percent of time the signal spends at or above the level defines the probability for that particular power level.

- a. Set resolution/measurement bandwidth \geq signal's occupied bandwidth
- b. Set the number of counts to a value that stabilizes the measured CCDF curve



- * Simulator call mode : all bit up
- * TEST Cable : Connect CDMA Antenna PORT (0.3dB loss / 30 cm / MCX to SMA Cable)
- * RF Cable : HUBER+SHUNER / SUCOFLEX 104 / DC-18 GHz / 1.0 m
- * Attenuator : 10 dB (Weinshel /56-10/ DC-28 GHz) + 10 dB(Weinshel / 56-10 / DC-28 GHz)
- * Power Divider : WEINSCHEL / 1506A / DC-18 GHz / 3 Port
- * Path Loss Information

| Frequency (MHz) | RF Cable (dB) | 10 dB ATT (dB) | 10 dB ATT (dB) | Power Diver (dB) | Test Cable (dB) | Total Loss (dB) |
|-----------------|---------------|----------------|----------------|------------------|-----------------|-----------------|
| 836.52 | 0.57 | 9.63 | 9.58 | 5.78 | 0.30 | 25.54 |

8.2 Test Result

Unit : dB

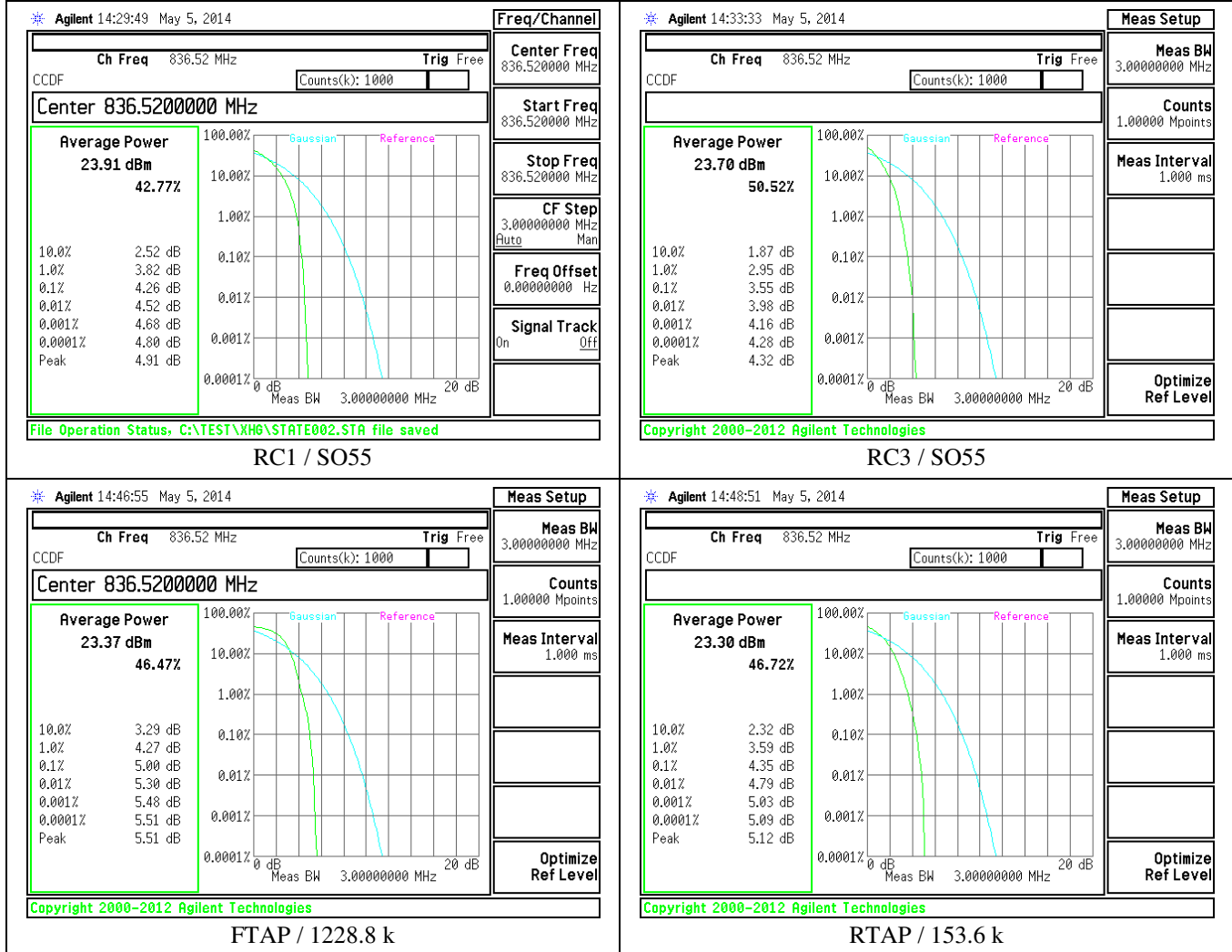
| Mode | Radio Config | FCH Svc opt. | Low ch : | Mid ch : | High ch : |
|------------------|--------------|--------------|-------------|-------------|-------------|
| | | | 1013 | 384 | 779 |
| | | | Freq(MHz) : | Freq(MHz) : | Freq(MHz) : |
| | | | 824.70 | 836.52 | 848.31 |
| CDMA | 1 | SO55 | - | 4.26 | - |
| | 3 | SO55 | - | 3.55 | - |
| CDMA EDVO Rev. 0 | FTAP | 1228.8 k | - | 5.00 | - |
| | RTAP | 153.6 k | - | 4.35 | - |

8.3 Test Criteria

In measuring transmissions in this band using an average power technique, the peak to average ratio of the transmission may not exceed 13 dB (associated with a probability of 0.1%)

8.4 Test Plots

* CH:384 (836.52 MHz)



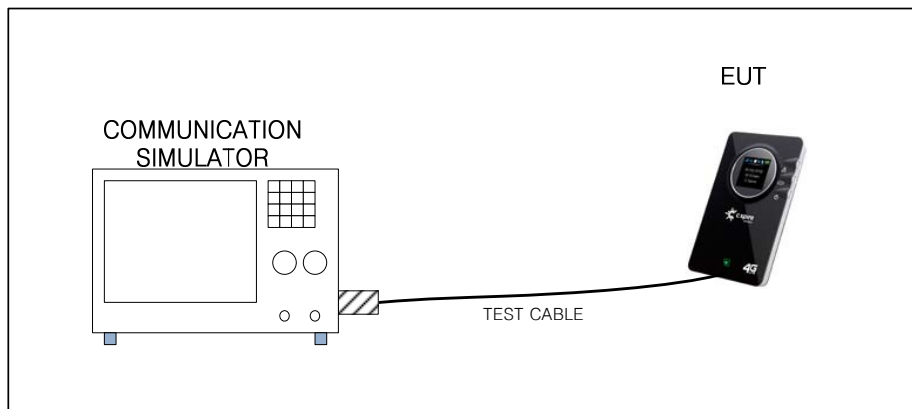
9. Modulation Characteristics

9.1 Definition

Other types of equipment. A curve or equivalent data which shows that the equipment will meet the modulation requirements of the rules under which the equipment is to be licensed.

9.2 Test Procedure

The measurement frequency is center channel(384)

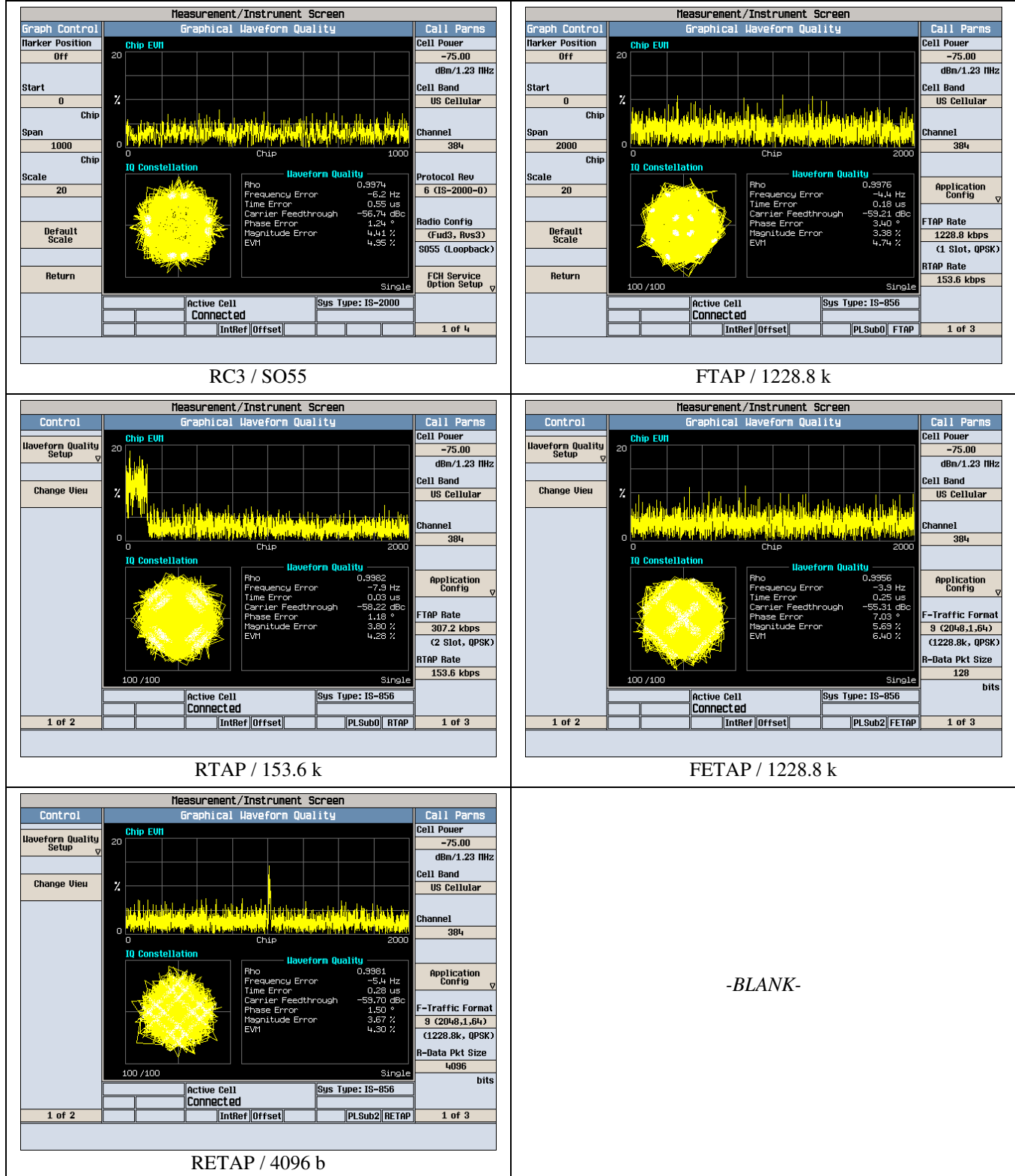


9.3 Test Criteria

The waveform quality factor shall be greater than 0.944

9.4 Test Plots

* CH:384 (836.52 MHz)

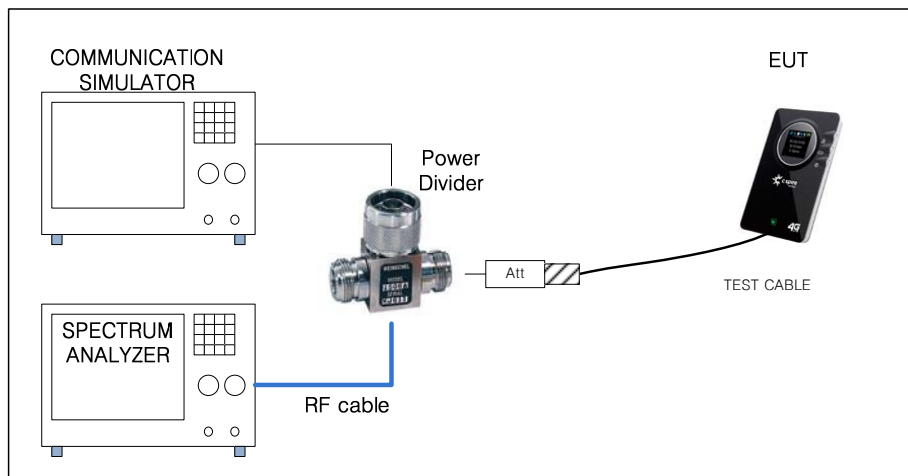


10. Occupied Bandwidth

10.1 Definition

The occupied bandwidth, that is the frequency bandwidth such that, below its lower and above its upper frequency limits, the mean powers radiated are each equal to 0.5 percent of the total mean power radiated by a given emission shall be measured under the following conditions as applicable:

10.2 Test Procedure



* Simulator call mode : all bit up

* TEST Cable : Connect CDMA Antenna PORT (0.3dB loss / 30 cm / MCX to SMA Cable)

* RF Cable : HUBER+SHUNER / SUCOFLEX 104 / DC-18 GHz / 1.0 m

* Attenuator : 10 dB (Weinshel / 56-10/ DC-28 GHz) + 10 dB(Weinshel / 56-10 / DC-28 GHz)

* Power Divider : WEINSCHEL / 1506A / DC-18 GHz / 3 Port

* Path Loss Information

| Frequency (MHz) | RF Cable (dB) | 10 dB ATT (dB) | 10 dB ATT (dB) | Power Diver (dB) | Test Cable (dB) | Total Loss (dB) |
|-----------------|---------------|----------------|----------------|------------------|-----------------|-----------------|
| 836.52 | 0.57 | 9.63 | 9.58 | 5.78 | 0.30 | 25.54 |

10.3 Test Result

Unit : MHz

| Mode | Radio Config | FCH Svc opt. | Low ch : 1013 | Mid ch : 384 | High ch : 779 |
|------------------|--------------|--------------|--------------------|--------------------|--------------------|
| | | | Freq(MHz) : 824.70 | Freq(MHz) : 836.52 | Freq(MHz) : 848.31 |
| CDMA | 3 | SO32+F-SCH | 1.271 | 1.268 | 1.274 |
| CDMA EDVO Rev. 0 | RTAP | 153.6 k | 1.278 | 1.280 | 1.277 |

10.4 Test Plots

| | |
|--|--|
| <p>Agilent 15:10:44 May 5, 2014</p> <p>Ch Freq 824.7 MHz Trig Free</p> <p>Center 824.7000000 MHz</p> <p>Center 824.700 MHz Span 3 MHz #Res BW 30 kHz #VBW 100 kHz Sweep 3.2 ms (1001 pts)</p> <p>Occupied Bandwidth 1.2709 MHz Occ BW % Pwr 99.00 % x dB -26.00 dB</p> <p>Transmit Freq Error -964.984 Hz x dB Bandwidth 1.421 MHz</p> <p>File Operation Status, C:\TEST\XH6\STATE013.STA file saved</p> <p>RC3 / SO32+F-SCH / CH:1013</p> | <p>Agilent 15:30:36 May 5, 2014</p> <p>Ch Freq 824.7 MHz Trig Free</p> <p>Center 824.7000000 MHz</p> <p>Center 824.700 MHz Span 3 MHz #Res BW 30 kHz #VBW 100 kHz Sweep 3.2 ms (1001 pts)</p> <p>Occupied Bandwidth 1.2781 MHz Occ BW % Pwr 99.00 % x dB -26.00 dB</p> <p>Transmit Freq Error -2.572 kHz x dB Bandwidth 1.424 MHz</p> <p>File Operation Status, C:\TEST\XH6\SCREEN016.GIF file saved</p> <p>RTAP / 153.6 k / CH:1013</p> |
| <p>Agilent 15:11:06 May 5, 2014</p> <p>Ch Freq 836.52 MHz Trig Free</p> <p>Center 836.5200000 MHz</p> <p>Center 836.520 MHz Span 3 MHz #Res BW 30 kHz #VBW 100 kHz Sweep 3.2 ms (1001 pts)</p> <p>Occupied Bandwidth 1.2679 MHz Occ BW % Pwr 99.00 % x dB -26.00 dB</p> <p>Transmit Freq Error -3.515 kHz x dB Bandwidth 1.415 MHz</p> <p>File Operation Status, C:\TEST\XH6\SCREEN014.GIF file saved</p> <p>RC3 / SO32+F-SCH / CH:384</p> | <p>Agilent 15:31:20 May 5, 2014</p> <p>Ch Freq 836.52 MHz Trig Free</p> <p>Center 836.5200000 MHz</p> <p>Center 836.520 MHz Span 3 MHz #Res BW 30 kHz #VBW 100 kHz Sweep 3.2 ms (1001 pts)</p> <p>Occupied Bandwidth 1.2803 MHz Occ BW % Pwr 99.00 % x dB -26.00 dB</p> <p>Transmit Freq Error 141.501 Hz x dB Bandwidth 1.429 MHz</p> <p>File Operation Status, C:\TEST\XH6\SCREEN017.GIF file saved</p> <p>RTAP / 153.6 k / CH:384</p> |
| <p>Agilent 15:11:48 May 5, 2014</p> <p>Ch Freq 848.31 MHz Trig Free</p> <p>Center 848.3100000 MHz</p> <p>Center 848.310 MHz Span 3 MHz #Res BW 30 kHz #VBW 100 kHz Sweep 3.2 ms (1001 pts)</p> <p>Occupied Bandwidth 1.2742 MHz Occ BW % Pwr 99.00 % x dB -26.00 dB</p> <p>Transmit Freq Error 1.622 kHz x dB Bandwidth 1.421 MHz</p> <p>File Operation Status, C:\TEST\XH6\SCREEN015.GIF file saved</p> <p>RC3 / SO32+F-SCH / CH:777</p> | <p>Agilent 15:31:57 May 5, 2014</p> <p>Ch Freq 848.31 MHz Trig Free</p> <p>Center 848.3100000 MHz</p> <p>Center 848.310 MHz Span 3 MHz #Res BW 30 kHz #VBW 100 kHz Sweep 3.2 ms (1001 pts)</p> <p>Occupied Bandwidth 1.2767 MHz Occ BW % Pwr 99.00 % x dB -26.00 dB</p> <p>Transmit Freq Error 2.317 kHz x dB Bandwidth 1.417 MHz</p> <p>File Operation Status, C:\TEST\XH6\SCREEN018.GIF file saved</p> <p>RTAP / 153.6 k / CH:777</p> |

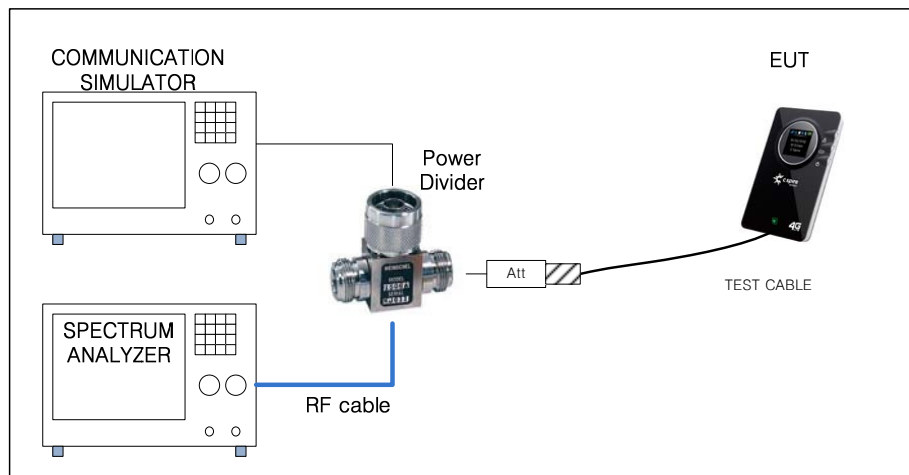
11. Band Edge Compliance

11.1 Definition

Power of any emission outside of the authorized operating frequency ranges must be attenuated below the transmitting power (P) by a factor of at least $43 + 10 \log(P)$ dB. In the 1 MHz bands immediately outside and adjacent to the frequency block a resolution bandwidth of at least one percent of the emission bandwidth of the fundamental emission of the transmitter may be employed. The emission limit equal to -13dBm .

11.2 Test Procedure

- All measurements were done at low and high operational frequency range.
- The center frequency of spectrum is the band edge frequency and span is 1MHz. The RBW of the spectrum is 13kHz and the VBW of the spectrum is 51kHz.
- Record the max trace plot into the test report.
- The center frequency of spectrum is the band edge frequency ± 3 MHz, span is 4 MHz. The RBW is 100KHz, and the VBW is 300 KHz
- Record the max trace plot into the test report.



* Simulator call mode : all bit up

* TEST Cable : Connect CDMA Antenna PORT (0.3dB loss / 30 cm / MCX to SMA Cable)

* RF Cable : HUBER+SHUNER / SUCOFLEX 104 / DC-18 GHz / 1.0 m

* Attenuator : 10 dB (Weinshel / 56-10/ DC-28 GHz) + 10 dB (Weinshel / 56-10 / DC-28 GHz)

* Power Divider : WEINSCHTEL / 1506A / DC-18 GHz / 3 Port

* Path Loss Information

| Frequency (MHz) | RF Cable (dB) | 10 dB ATT (dB) | 10 dB ATT (dB) | Power Diver (dB) | Test Cable (dB) | Total Loss (dB) |
|-----------------|---------------|----------------|----------------|------------------|-----------------|-----------------|
| 836.52 | 0.57 | 9.63 | 9.58 | 5.78 | 0.30 | 25.54 |

11.3 Test Criteria

At least -13 dBm below.

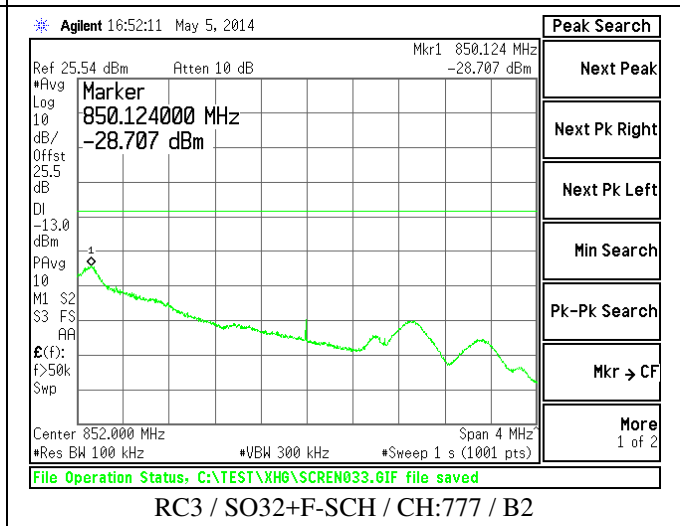
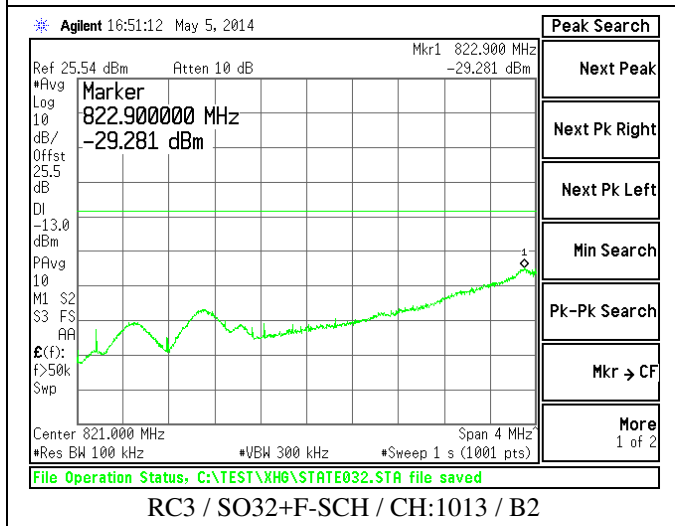
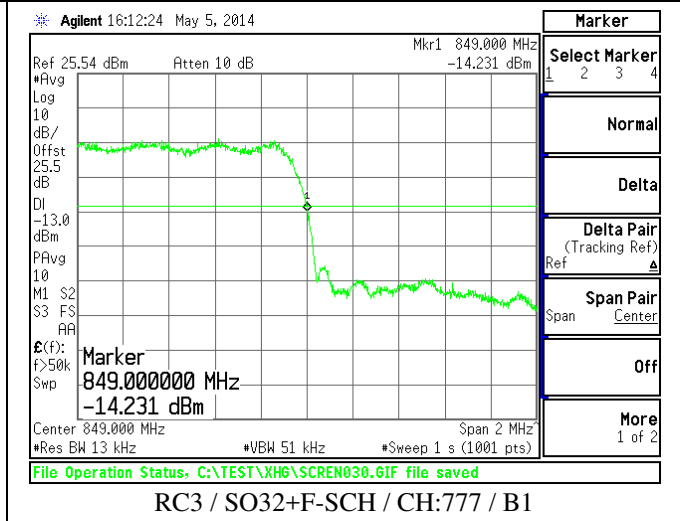
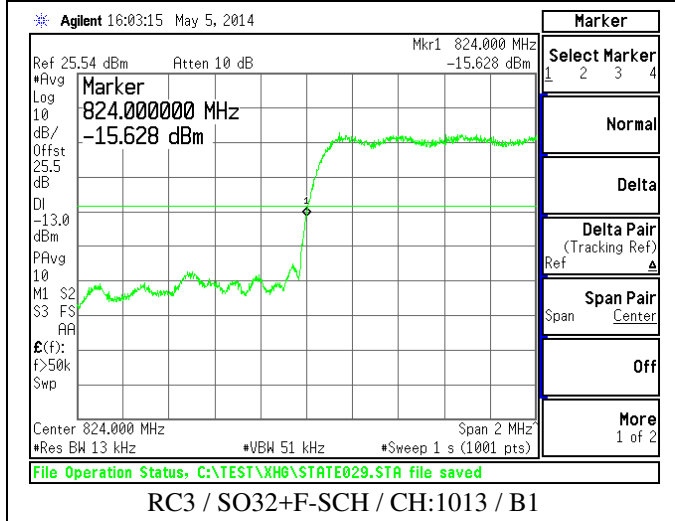
11.4 Test Result

Unit :dBm

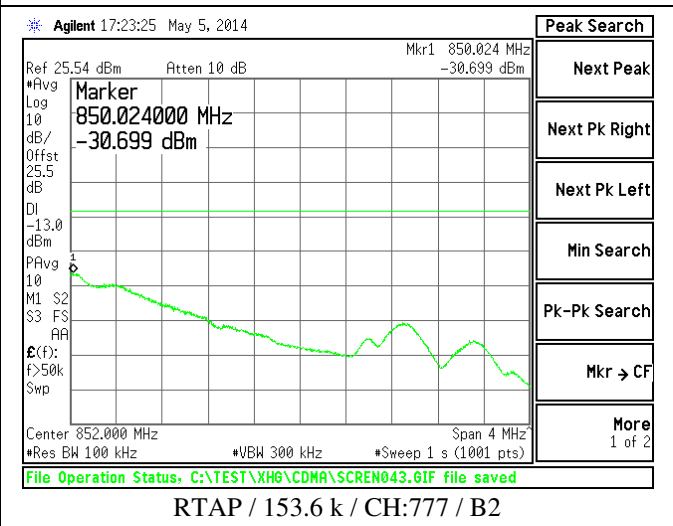
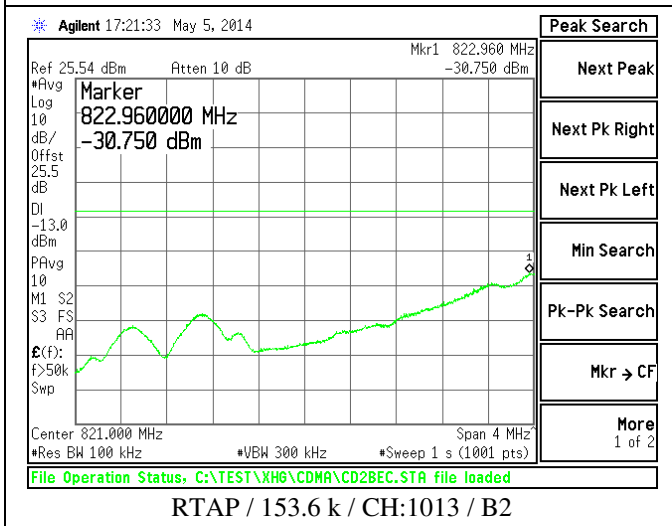
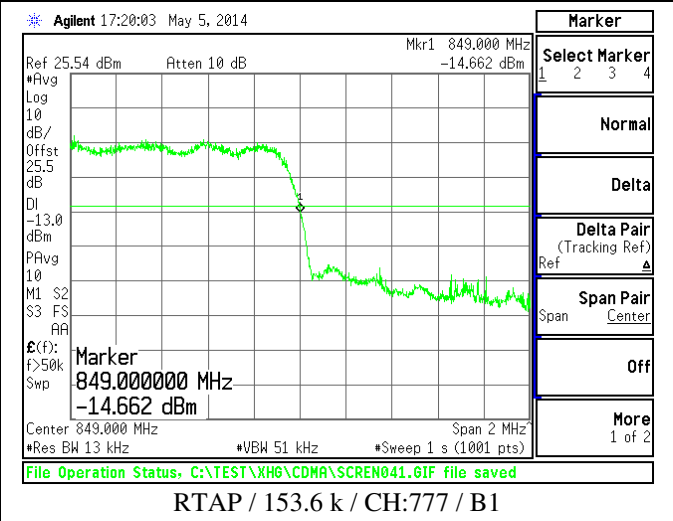
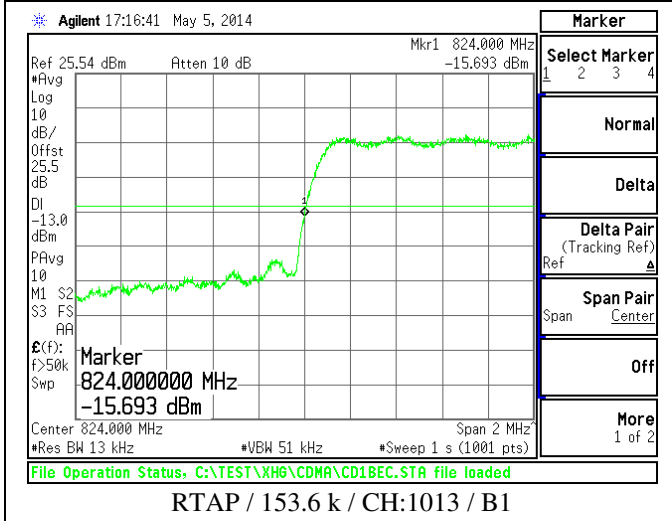
| Mode | Radio Config | FCH Svc opt. | Low ch : 1013 | RBW / VBW / SPAN | High ch : 779 |
|---------------------|-----------------------------|--------------|-----------------------|------------------------|-----------------------|
| | | | Freq(MHz) : 824.70 | | Freq(MHz) : 848.31 |
| CDMA | CENTER FREQUENCY(B1) | | 824 MHz | - | 849 MHz |
| | 3 | SO32+F-SCH | -15.63 | 13K / 51K / 2M | -14.23 |
| | CENTER FREQUENCY(B2) | | 821 MHz | - | 852 MHz |
| | 3 | SO32+F-SCH | -29.28 | 100K /300K /4M | -28.71 |
| CDMA EVDO Rev. 0 | CENTER FREQUENCY(B1) | | 824 MHz | - | 849 MHz |
| | RTAP | 153.6 k | -15.69 | 13K / 51K / 2M | -14.66 |
| | CENTER FREQUENCY(B2) | | 821 MHz | - | 852 MHz |
| | RTAP | 153.6 k | -30.75 | 100K /300K /4M | -30.70 |

11.5 Test Plots

* CDMA



* CDMA EVDO Rev. 0



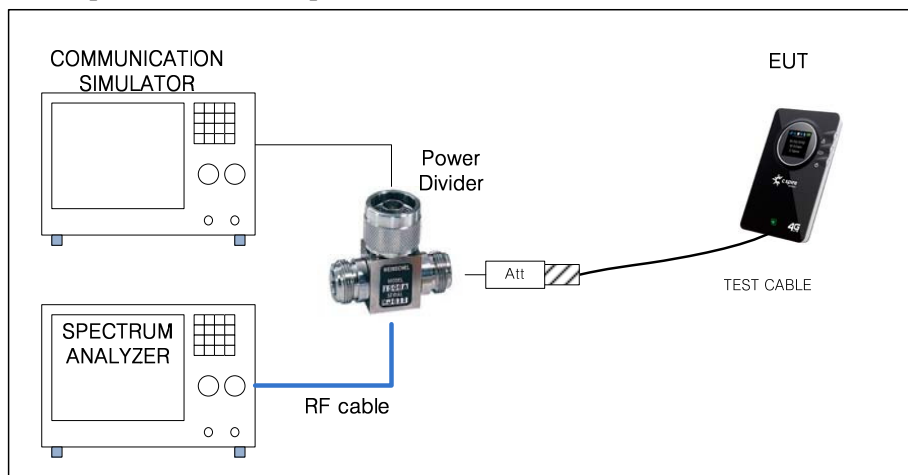
12. Spurious Emission at Antenna Terminals

12.1 Definition

The power of any emission outside of the authorized operating frequency ranges must be attenuated below the transmitting power (P) by a factor of at least $43 + 10 \log(P)$ dB. The emission limit equal to -13 dBm.

12.2 Test Procedure

- The EUT makes a phone call to the communication simulator. All measurements were done at middle frequency range.
- Measuring frequency range is from 30 MHz to 20GHz. The RBW=1MHz and VBW=3MHz is used for conducted emission measurement.(correct frequency attenuation level)
- Record the max trace plot into the test report.



* Simulator call mode : all bit up

* TEST Cable : Connect CDMA Antenna PORT (0.3dB loss / 30 cm / MCX to SMA Cable)

* RF Cable : HUBER+SHUNER / SUCOFLEX 104 / DC-18 GHz / 1.0 m

* Attenuator : 10 dB (Weinshel /56-10/ DC-28 GHz) + 10dB(Weinshel / 56-10 / DC-28 GHz)

* Power Divider : WEINSCHEL / 1506A / DC-18 GHz / 3 Port

* Path Loss Information

| Frequency (MHz) | RF Cable (dB) | 10 dB ATT (dB) | 10 dB ATT (dB) | Power Diver (dB) | Test Cable (dB) | Total Loss (dB) |
|-----------------|---------------|----------------|----------------|------------------|-----------------|-----------------|
| 836.52 | 0.29 | 9.59 | 9.58 | 5.78 | 0.30 | 25.54 |
| 1 673.20 | 0.43 | 9.61 | 9.61 | 5.78 | 0.30 | 25.73 |

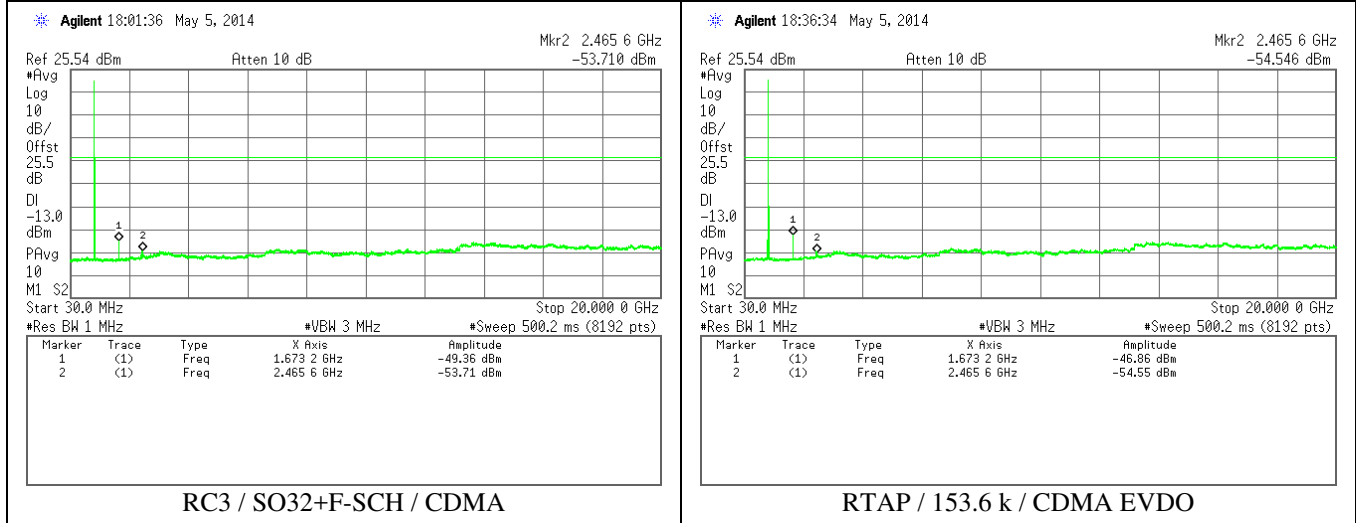
12.3 Test Result

Unit : dBm

| CH : 384 | | | FREQUENCY : 836.52 MHz | | | |
|------------------|--------------|--------------|------------------------|---------------------|----------------------|--------|
| Mode | Radio Config | FCH Svc opt. | Reading (dBm) | Measured Freq.(MHz) | Correct (Att, cable) | Result |
| CDMA | 3 | SO32+F-SCH | -49.36 | 1673.20 | 0.19 | -49.17 |
| CDMA EDVO Rev. 0 | RTAP | 153.6 k | -46.86 | 1673.20 | 0.19 | -46.67 |

12.4 Test Plots

* CH:384 (836.52 MHz)



13. Field Strength of Spurious Radiation

13.1 Definition

The power of any emission outside of the authorized operating frequency ranges must be attenuated below the transmitting power (P) by a factor of at least $43 + 10 \log(P)$ dB. The emission limit equal to -13dBm

13.2 Test Procedure

The EUT was placed on a non-conductive table 0.8 meters above the ground plane. The table was centered on a rotating turntable at a distance of 3 meters from the measurement antenna.

For spurious emissions below 1 GHz quasi-peak detection is used with a resolution bandwidth of 120 kHz. The emissions were maximized by rotating the EUT and raising and lowering the measurement antenna from 1~4 meters (above 1 GHz, measure antenna from 1 ~ 3.5 meters)

Spurious/harmonic emissions above 1 GHz peak are measured with average and peak detection with a resolution bandwidth of 1 MHz (VBW = 3 MHz) and measured at a distance of 3 meter.

Average detection is used to determine compliance of the EUT if the peak does not meet the average limit. Non-harmonic emissions must satisfy the average limit and the peak limit (20 dB above average).

Correction factor is a combination of cable loss (CL), microwave amplifier gain (G amp), antenna factor (AF), hi-pass filter factor (HPF)

Example correction factor calculation: $F/S(\text{Field Strength}) = \text{Measuring Value} + AF - G \text{ amp} + CL + \text{HPF}$

* Hi-Pass Filter : WAINWRIGHT / WHK1.5/15G-6SS / 1.5-15 GHz pass filter

The ERP limits in dBm were converted to field strength limits in $\text{dB}\mu\text{V}/\text{m}$ @ 3m.

Example ERP limit conversion: $F/S(\text{Field Strength}) = \text{EIRP} + 95.2 = \text{ERP} + 97.35$ ($\text{ERP} = \text{EIRP} - 2.15$)

It was performed according to the KDB 971168 v02r01 5.8.3. Mathematical conversions.

Both vertical and horizontal polarities were tested and the worst case presented. In all cases the vertical polarization resulted in the greatest signal.

There were no measurable emissions above 18 GHz, up to 40 GHz. The measurement noise floor is well below the specified limit. Measurements in the table above for emissions greater than 18 GHz are of the noise floor.

13.3 Test Results

13.3.1 mode : CDMA 384CH/ RC3 / SO32+F-SCH / XY SCAN

| Emission Frequency (MHz) | ANT (H/V) | EUT (X,Y,Z) | Measure Value (dB μ V) | Antenna Factor [dB/m] | Amp Gain (dB) | Cable loss (dB) | High Pass Filter (dB) | F/S (dB μ V/m) | ERP (dBm) | Limit (dBm) | Margin (dB) |
|--------------------------|-----------|-------------|----------------------------|-----------------------|---------------|-----------------|-----------------------|--------------------|-----------|-------------|-------------|
| 1671.00 | V | XY | 53.03 | 25.59 | 42.97 | 4.69 | 0.86 | 41.20 | -56.15 | -13.00 | 43.15 |
| 2508.00 | V | XY | 52.76 | 27.49 | 43.33 | 5.84 | 0.45 | 43.21 | -54.14 | -13.00 | 41.14 |
| 3345.00 | V | XY | 58.95 | 28.90 | 41.26 | 6.89 | 0.40 | 53.88 | -43.47 | -13.00 | 30.47 |
| 4182.00 | V | XY | 64.37 | 30.21 | 40.69 | 7.96 | 0.22 | 62.07 | -35.28 | -13.00 | 22.28 |
| 1671.00 | H | XY | 55.04 | 25.59 | 42.97 | 4.69 | 0.86 | 43.21 | -54.14 | -13.00 | 41.14 |
| 3348.00 | H | XY | 53.55 | 28.91 | 41.26 | 6.89 | 0.40 | 48.49 | -48.86 | -13.00 | 35.86 |
| 4185.00 | H | XY | 60.37 | 30.21 | 40.69 | 7.96 | 0.22 | 58.07 | -39.28 | -13.00 | 26.28 |
| | | | | | | | | | | | |

13.3.2 mode : CDMA EVDO 384CH/ RTAP / 153.6 k / XY SCAN

| Emission Frequency (MHz) | ANT (H/V) | EUT (X,Y,Z) | Measure Value (dB μ V) | Antenna Factor [dB/m] | Amp Gain (dB) | Cable loss (dB) | High Pass Filter (dB) | F/S (dB μ V/m) | ERP (dBm) | Limit (dBm) | Margin (dB) |
|--------------------------|-----------|-------------|----------------------------|-----------------------|---------------|-----------------|-----------------------|--------------------|-----------|-------------|-------------|
| 1671.00 | V | XY | 66.24 | 25.59 | 42.97 | 4.69 | 0.86 | 54.41 | -42.94 | -13.00 | 29.94 |
| 2511.00 | V | XY | 63.82 | 27.49 | 43.33 | 5.84 | 0.45 | 54.27 | -43.08 | -13.00 | 30.08 |
| 3345.00 | V | XY | 55.70 | 28.90 | 41.26 | 6.89 | 0.40 | 50.63 | -46.72 | -13.00 | 33.72 |
| 4182.00 | V | XY | 63.19 | 30.21 | 40.69 | 7.96 | 0.22 | 60.89 | -36.46 | -13.00 | 23.46 |
| 1671.00 | H | XY | 59.93 | 25.59 | 42.97 | 4.69 | 0.86 | 48.10 | -49.25 | -13.00 | 36.25 |
| 2508.00 | H | XY | 55.56 | 27.49 | 43.33 | 5.84 | 0.45 | 46.01 | -51.34 | -13.00 | 38.34 |
| 3345.00 | H | XY | 50.87 | 28.90 | 41.26 | 6.89 | 0.40 | 45.80 | -51.55 | -13.00 | 38.55 |
| 4185.00 | H | XY | 59.39 | 30.21 | 40.69 | 7.96 | 0.22 | 57.09 | -40.26 | -13.00 | 27.26 |

13.3.3 mode : CDMA 384CH/ RC3 / SO32+F-SCH / YZ SCAN

| Emission Frequency (MHz) | ANT (H/V) | EUT (X,Y,Z) | Measure Value (dBμV) | Antenna Factor [dB/m] | Amp Gain (dB) | Cable loss (dB) | High Pass Filter (dB) | F/S (dBμV/m) | ERP (dBm) | Limit (dBm) | Margin (dB) |
|--------------------------|-----------|-------------|----------------------|-----------------------|---------------|-----------------|-----------------------|--------------|-----------|-------------|-------------|
| 1671.00 | V | YZ | 58.36 | 25.59 | 42.97 | 4.69 | 0.86 | 46.53 | -50.82 | -13.00 | 37.82 |
| 2511.00 | V | YZ | 59.25 | 27.49 | 43.32 | 5.84 | 0.45 | 49.71 | -47.64 | -13.00 | 34.64 |
| 3345.00 | V | YZ | 54.37 | 28.90 | 41.26 | 6.89 | 0.40 | 49.30 | -48.05 | -13.00 | 35.05 |
| 4185.00 | V | YZ | 60.06 | 30.21 | 40.69 | 7.96 | 0.22 | 57.76 | -39.59 | -13.00 | 26.59 |
| 1671.00 | H | YZ | 60.23 | 25.59 | 42.97 | 4.69 | 0.86 | 48.40 | -48.95 | -13.00 | 35.95 |
| 2508.00 | H | YZ | 56.90 | 27.49 | 43.33 | 5.84 | 0.45 | 47.35 | -50.00 | -13.00 | 37.00 |
| 4185.00 | H | YZ | 55.46 | 30.21 | 40.69 | 7.96 | 0.22 | 53.16 | -44.19 | -13.00 | 31.19 |
| | | | | | | | | | | | |

13.3.4 mode : CDMA EVDO 384CH/ RTAP / 153.6 k / YZ SCAN

| Emission Frequency (MHz) | ANT (H/V) | EUT (X,Y,Z) | Measure Value (dBμV) | Antenna Factor [dB/m] | Amp Gain (dB) | Cable loss (dB) | High Pass Filter (dB) | F/S (dBμV/m) | ERP (dBm) | Limit (dBm) | Margin (dB) |
|--------------------------|-----------|-------------|----------------------|-----------------------|---------------|-----------------|-----------------------|--------------|-----------|-------------|-------------|
| 1671.00 | V | YZ | 57.12 | 25.59 | 42.97 | 4.69 | 0.86 | 45.29 | -52.06 | -13.00 | 39.06 |
| 2508.00 | V | YZ | 63.06 | 27.49 | 43.33 | 5.84 | 0.45 | 53.51 | -43.84 | -13.00 | 30.84 |
| 3345.00 | V | YZ | 53.36 | 28.90 | 41.26 | 6.89 | 0.40 | 48.29 | -49.06 | -13.00 | 36.06 |
| 4182.00 | V | YZ | 62.17 | 30.21 | 40.69 | 7.96 | 0.22 | 59.87 | -37.48 | -13.00 | 24.48 |
| 1671.00 | H | YZ | 61.03 | 25.59 | 42.97 | 4.69 | 0.86 | 49.20 | -48.15 | -13.00 | 35.15 |
| 2511.00 | H | YZ | 67.26 | 27.49 | 43.33 | 5.84 | 0.45 | 57.71 | -39.64 | -13.00 | 26.64 |
| 3345.00 | H | YZ | 51.83 | 28.90 | 41.26 | 6.89 | 0.40 | 46.76 | -50.59 | -13.00 | 37.59 |
| 4185.00 | H | YZ | 58.73 | 30.21 | 40.69 | 7.96 | 0.22 | 56.43 | -40.92 | -13.00 | 27.92 |

13.3.5 mode : CDMA 384CH/ RC3 / SO32+F-SCH / ZX SCAN

| Emission Frequency (MHz) | ANT (H/V) | EUT (X,Y,Z) | Measure Value (dB μ V) | Antenna Factor [dB/m] | Amp Gain (dB) | Cable loss (dB) | High Pass Filter (dB) | F/S (dB μ V/m) | ERP (dBm) | Limit (dBm) | Margin (dB) |
|--------------------------|-----------|-------------|----------------------------|-----------------------|---------------|-----------------|-----------------------|--------------------|-----------|-------------|-------------|
| 1671.00 | V | ZX | 56.34 | 25.59 | 42.97 | 4.69 | 0.86 | 44.51 | -52.84 | -13.00 | 39.84 |
| 2508.00 | V | ZX | 55.90 | 27.49 | 43.33 | 5.84 | 0.45 | 46.35 | -51.00 | -13.00 | 38.00 |
| 3345.00 | V | ZX | 52.00 | 28.90 | 41.26 | 6.89 | 0.40 | 46.93 | -50.42 | -13.00 | 37.42 |
| 4182.00 | V | ZX | 56.96 | 30.21 | 40.69 | 7.96 | 0.22 | 54.66 | -42.69 | -13.00 | 29.69 |
| 1674.00 | H | ZX | 57.21 | 25.59 | 42.97 | 4.70 | 0.86 | 45.39 | -51.96 | -13.00 | 38.96 |
| 2511.00 | H | ZX | 60.03 | 27.49 | 43.32 | 5.84 | 0.45 | 50.49 | -46.86 | -13.00 | 33.86 |
| 3345.00 | H | ZX | 59.11 | 28.90 | 41.26 | 6.89 | 0.40 | 54.04 | -43.31 | -13.00 | 30.31 |
| 4182.00 | H | ZX | 59.84 | 30.21 | 40.69 | 7.96 | 0.22 | 57.54 | -39.81 | -13.00 | 26.81 |

13.3.6 mode : CDMA EVDO 384CH/ RTAP / 153.6 k / ZX SCAN

| Emission Frequency (MHz) | ANT (H/V) | EUT (X,Y,Z) | Measure Value (dB μ V) | Antenna Factor [dB/m] | Amp Gain (dB) | Cable loss (dB) | High Pass Filter (dB) | F/S (dB μ V/m) | ERP (dBm) | Limit (dBm) | Margin (dB) |
|--------------------------|-----------|-------------|----------------------------|-----------------------|---------------|-----------------|-----------------------|--------------------|-----------|-------------|-------------|
| 1674.00 | V | ZX | 56.88 | 25.59 | 42.97 | 4.70 | 0.86 | 45.06 | -52.29 | -13.00 | 39.29 |
| 2508.00 | V | ZX | 61.05 | 27.49 | 43.33 | 5.84 | 0.45 | 51.50 | -45.85 | -13.00 | 32.85 |
| 3345.00 | V | ZX | 53.45 | 28.90 | 41.26 | 6.89 | 0.40 | 48.38 | -48.97 | -13.00 | 35.97 |
| 4182.00 | V | ZX | 59.07 | 30.21 | 40.69 | 7.96 | 0.22 | 56.77 | -40.58 | -13.00 | 27.58 |
| 1671.00 | H | ZX | 57.68 | 25.59 | 42.97 | 4.69 | 0.86 | 45.85 | -51.50 | -13.00 | 38.50 |
| 2511.00 | H | ZX | 63.58 | 27.49 | 43.32 | 5.84 | 0.45 | 54.04 | -43.31 | -13.00 | 30.31 |
| 3345.00 | H | ZX | 60.95 | 28.90 | 41.26 | 6.89 | 0.40 | 55.88 | -41.47 | -13.00 | 28.47 |
| 4182.00 | H | ZX | 63.51 | 30.21 | 40.69 | 7.96 | 0.22 | 61.21 | -36.14 | -13.00 | 23.14 |

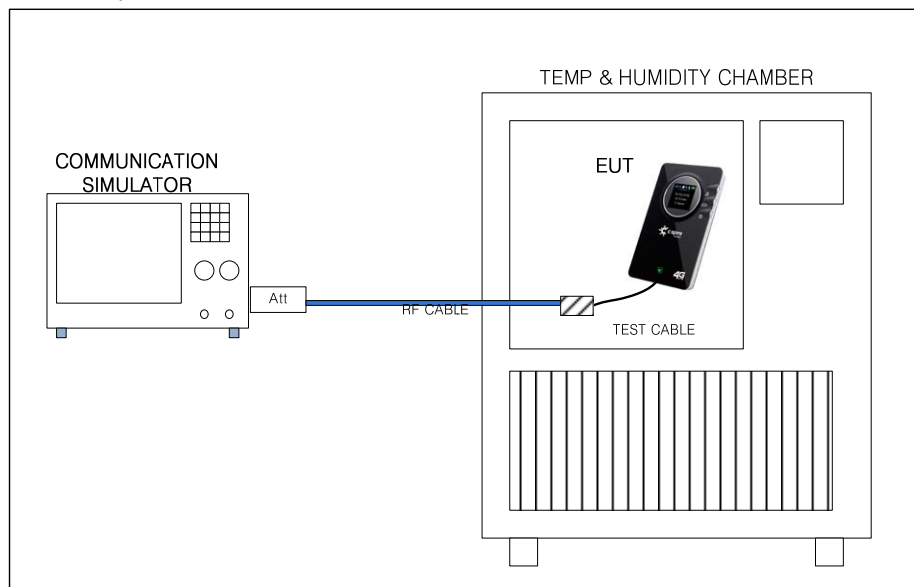
14. Frequency Stability

14.1 Definition

Except as otherwise provided in this part, the carrier frequency of each transmitter in the Public Mobile Services must be maintained within the tolerances 2.5 ppm

14.2 Test Procedure

- Device is placed at the Temp & Humidity Chamber. Power warm up is at least 15 min and power applied should perform before recording frequency error.
- EUT is connected the external power supply to control the DC input power. The test voltage range is from minimum to maximum working voltage. Each step shall be record the frequency error rate.
- The temperature range step is 10 degrees in this test items. All temperature levels shall be hold the $\pm 0.5^{\circ}\text{C}$ during the measurement testing. The each temperature step shall be at least 0.5 hours, consider the EUT could be test under the stability condition



- * EUT test mode is FTAP 1228.8 k. And 384 CH (836.52 MHz)
- * Temp is change -30 degree to +50 degree (10 degree step)
- * Volt is change DC 3.0V(Cut Off Voltage) to DC 4.3V(Normal Volt : DC 3.7 V +115%)
- * Temp&Humidity chamber : BUMJIN / BJ-THC-667L / 201203-JNDL/ -40 $^{\circ}\text{C}$ ~+150 $^{\circ}\text{C}$ / Due to Cal: 2015-03-24
- * DC Power Supply : Agilent / E3630A / MY40004023 / 0 ~ 24V / 0 ~ 2.5A / Due to Cal: 2014-10-15

14.3 Test Results

14.3.1 Frequency error vs. Temperature

| Temp (degree) | Measure (Hz) | Measure (ppm) | Limit (ppm) |
|---------------|--------------|---------------|-------------|
| -30.0 | -9.71 | -0.012 | 2.5 |
| -20.0 | -9.44 | -0.011 | 2.5 |
| -10.0 | -11.23 | -0.013 | 2.5 |
| 0.0 | -12.85 | -0.015 | 2.5 |
| 10.0 | -8.65 | -0.010 | 2.5 |
| 20.0 | -9.67 | -0.012 | 2.5 |
| 30.0 | -9.65 | -0.012 | 2.5 |
| 40.0 | -8.73 | -0.010 | 2.5 |
| 50.0 | -7.53 | -0.009 | 2.5 |

14.3.2 Frequency error vs. Voltage

| Voltage (V) | Measure (Hz) | Measure (ppm) | Limit (ppm) |
|-------------|--------------|---------------|-------------|
| 3.0 | -9.42 | -0.011 | 2.5 |
| 3.7 | -7.48 | -0.009 | 2.5 |
| 4.3 | -7.57 | -0.009 | 3.5 |

* Measure (ppm) = Measure (Hz) \div 836.52 MHz

14.4 Test Plots

14.4.1 Frequency error vs. Temperature

| Control | | Measurement/Instrument Screen | | | Call Params | |
|---------------------------|--|-------------------------------|---------|---------|--------------------|--|
| Waveform Quality Setup | | Waveform Quality: Numeric Rho | | | Cell Power | |
| Change View | | Minimum | Maximum | Average | dBm/1.23 MHz | |
| Rho | | 0.9968 | 0.9978 | 0.9975 | -75.00 | |
| Frequency Error (Hz) | | -9.71 | -1.10 | -6.65 | dBm/1.23 MHz | |
| Time Error (us) | | 0.17 | 0.18 | 0.17 | Cell Band | |
| Carrier Feedthrough (dBc) | | -57.44 | -45.92 | -50.18 | US Cellular | |
| Phase Error (°) | | 1.70 | 4.77 | 3.87 | Channel | |
| Mag Error (Z) | | 3.65 | 4.70 | 4.02 | 384 | |
| EVM (Z) | | 4.70 | 5.88 | 5.01 | Application Config | |
| 100/100 | | Single | | | FTAP Rate | |
| | | | | | 1228.8 kbps | |
| | | | | | (1 Slot, QPSK) | |
| | | | | | RTAP Rate | |
| | | | | | 9.6 kbps | |
| Active Cell Connected | | Sys Type: IS-856 | | | 1 of 3 | |
| IntRef/Offset | | PLSub0 FTAP | | | | |

| Control | | Measurement/Instrument Screen | | | Call Params | |
|---------------------------|--|-------------------------------|---------|---------|--------------------|--|
| Waveform Quality Setup | | Waveform Quality: Numeric Rho | | | Cell Power | |
| Change View | | Minimum | Maximum | Average | dBm/1.23 MHz | |
| Rho | | 0.9971 | 0.9979 | 0.9976 | -75.00 | |
| Frequency Error (Hz) | | -3.44 | -0.86 | -6.67 | dBm/1.23 MHz | |
| Time Error (us) | | 0.08 | 0.09 | 0.08 | Cell Band | |
| Carrier Feedthrough (dBc) | | -80.67 | -53.66 | -60.21 | US Cellular | |
| Phase Error (°) | | 1.61 | 4.79 | 3.58 | Channel | |
| Mag Error (Z) | | 3.61 | 4.62 | 3.81 | 384 | |
| EVM (Z) | | 4.56 | 5.43 | 4.86 | Application Config | |
| 100/100 | | Single | | | FTAP Rate | |
| | | | | | 1228.8 kbps | |
| | | | | | (1 Slot, QPSK) | |
| | | | | | RTAP Rate | |
| | | | | | 9.6 kbps | |
| Active Cell Connected | | Sys Type: IS-856 | | | 1 of 3 | |
| IntRef/Offset | | PLSub0 FTAP | | | | |

| Control | | Measurement/Instrument Screen | | | Call Params | |
|---------------------------|--|-------------------------------|---------|---------|--------------------|--|
| Waveform Quality Setup | | Waveform Quality: Numeric Rho | | | Cell Power | |
| Change View | | Minimum | Maximum | Average | dBm/1.23 MHz | |
| Rho | | 0.9969 | 0.9981 | 0.9977 | -75.00 | |
| Frequency Error (Hz) | | -11.23 | 0.52 | -6.58 | dBm/1.23 MHz | |
| Time Error (us) | | -0.12 | 0.05 | 0.01 | Cell Band | |
| Carrier Feedthrough (dBc) | | -78.50 | -56.54 | -62.62 | US Cellular | |
| Phase Error (°) | | 1.61 | 4.88 | 3.54 | Channel | |
| Mag Error (Z) | | 3.40 | 4.57 | 3.85 | 384 | |
| EVM (Z) | | 4.36 | 5.54 | 4.80 | Application Config | |
| 100/100 | | Single | | | FTAP Rate | |
| | | | | | 1228.8 kbps | |
| | | | | | (1 Slot, QPSK) | |
| | | | | | RTAP Rate | |
| | | | | | 9.6 kbps | |
| Active Cell Connected | | Sys Type: IS-856 | | | 1 of 3 | |
| IntRef/Offset | | PLSub0 FTAP | | | | |

| Control | | Measurement/Instrument Screen | | | Call Params | |
|---------------------------|--|-------------------------------|---------|---------|--------------------|--|
| Waveform Quality Setup | | Waveform Quality: Numeric Rho | | | Cell Power | |
| Change View | | Minimum | Maximum | Average | dBm/1.23 MHz | |
| Rho | | 0.9972 | 0.9983 | 0.9978 | -75.00 | |
| Frequency Error (Hz) | | -12.85 | -1.45 | -6.78 | dBm/1.23 MHz | |
| Time Error (us) | | 0.00 | 0.02 | 0.01 | Cell Band | |
| Carrier Feedthrough (dBc) | | -82.38 | -57.71 | -63.96 | US Cellular | |
| Phase Error (°) | | 1.47 | 4.66 | 3.57 | Channel | |
| Mag Error (Z) | | 3.27 | 4.41 | 3.79 | 384 | |
| EVM (Z) | | 4.14 | 5.33 | 4.71 | Application Config | |
| 100/100 | | Single | | | FTAP Rate | |
| | | | | | 1228.8 kbps | |
| | | | | | (1 Slot, QPSK) | |
| | | | | | RTAP Rate | |
| | | | | | 9.6 kbps | |
| Active Cell Connected | | Sys Type: IS-856 | | | 1 of 3 | |
| IntRef/Offset | | PLSub0 FTAP | | | | |

| Control | | Measurement/Instrument Screen | | | Call Params | |
|---------------------------|--|-------------------------------|---------|---------|--------------------|--|
| Waveform Quality Setup | | Waveform Quality: Numeric Rho | | | Cell Power | |
| Change View | | Minimum | Maximum | Average | dBm/1.23 MHz | |
| Rho | | 0.9966 | 0.9986 | 0.9983 | -75.00 | |
| Frequency Error (Hz) | | -8.65 | 5.08 | -3.94 | dBm/1.23 MHz | |
| Time Error (us) | | 0.05 | 0.07 | 0.06 | Cell Band | |
| Carrier Feedthrough (dBc) | | -72.01 | -55.56 | -60.69 | US Cellular | |
| Phase Error (°) | | 1.35 | 4.71 | 3.34 | Channel | |
| Mag Error (Z) | | 3.04 | 4.10 | 3.47 | 384 | |
| EVM (Z) | | 3.84 | 5.13 | 4.35 | Application Config | |
| 100/100 | | Single | | | FTAP Rate | |
| | | | | | 1228.8 kbps | |
| | | | | | (1 Slot, QPSK) | |
| | | | | | RTAP Rate | |
| | | | | | 9.6 kbps | |
| Active Cell Connected | | Sys Type: IS-856 | | | 1 of 3 | |
| IntRef/Offset | | PLSub0 FTAP | | | | |

| Control | | Measurement/Instrument Screen | | | Call Params | |
|---------------------------|--|-------------------------------|---------|---------|--------------------|--|
| Waveform Quality Setup | | Waveform Quality: Numeric Rho | | | Cell Power | |
| Change View | | Minimum | Maximum | Average | dBm/1.23 MHz | |
| Rho | | 0.9966 | 0.9986 | 0.9983 | -75.00 | |
| Frequency Error (Hz) | | -8.67 | 5.88 | -3.38 | dBm/1.23 MHz | |
| Time Error (us) | | -0.01 | 0.01 | 0.00 | Cell Band | |
| Carrier Feedthrough (dBc) | | -58.13 | -50.94 | -54.12 | US Cellular | |
| Phase Error (°) | | 1.29 | 4.19 | 3.06 | Channel | |
| Mag Error (Z) | | 2.90 | 5.12 | 3.24 | 384 | |
| EVM (Z) | | 3.75 | 5.85 | 4.08 | Application Config | |
| 100/100 | | Single | | | FTAP Rate | |
| | | | | | 1228.8 kbps | |
| | | | | | (1 Slot, QPSK) | |
| | | | | | RTAP Rate | |
| | | | | | 9.6 kbps | |
| Active Cell Connected | | Sys Type: IS-856 | | | 1 of 3 | |
| IntRef/Offset | | PLSub0 FTAP | | | | |

-30 °C / FTAP / 1228.8 k / 384 CH

-20 °C / FTAP / 1228.8 k / 384 CH

-10 °C / FTAP / 1228.8 k / 384 CH

0 °C / FTAP / 1228.8 k / 384 CH

10 °C / FTAP / 1228.8 k / 384 CH

20 °C / FTAP / 1228.8 k / 384 CH



| Measurement/Instrument Screen | | | | | |
|-------------------------------|---------------------------|---------|------------------|------------|--|
| Waveform Quality: Numeric Rho | | | | | |
| Control | | | | Call Parms | |
| Waveform Quality Setup | Rho | Minimum | Maximum | Average | |
| | | 0.9968 | 0.9978 | 0.9975 | |
| | Frequency Error (Hz) | -9.71 | -1.10 | -6.65 | |
| | Time Error (us) | 0.17 | 0.18 | 0.17 | |
| | Carrier Feedthrough (dBc) | -57.44 | -45.92 | -50.18 | |
| | Phase Error (°) | 1.70 | 4.77 | 3.87 | |
| | Mag Error (Z) | 3.65 | 4.70 | 4.02 | |
| | EVM (Z) | 4.70 | 5.68 | 5.01 | |
| Change View | 100 /100 | | | Single | |
| | Application Config | | | | |
| | FTAP Rate | | | | |
| | 1228.8 kbps | | | | |
| | (1 Slot, QPSK) | | | | |
| | RTAP Rate | | | | |
| | 9.6 kbps | | | | |
| | Active Cell | | Sys Type: IS-856 | | |
| | Connected | | | | |
| 1 of 2 | IntRef | Offset | PLSub0 | FTAP | |
| | | | | 1 of 3 | |

30 °C / FTAP / 1228.8 k / 384 CH

| Measurement/Instrument Screen | | | | | |
|-------------------------------|---------------------------|---------|------------------|------------|--|
| Waveform Quality: Numeric Rho | | | | | |
| Control | | | | Call Parms | |
| Waveform Quality Setup | Rho | Minimum | Maximum | Average | |
| | | 0.9971 | 0.9979 | 0.9976 | |
| | Frequency Error (Hz) | -9.44 | -0.86 | -6.67 | |
| | Time Error (us) | 0.08 | 0.09 | 0.08 | |
| | Carrier Feedthrough (dBc) | -80.67 | -53.86 | -60.21 | |
| | Phase Error (°) | 1.61 | 4.79 | 3.59 | |
| | Mag Error (Z) | 3.61 | 4.62 | 3.91 | |
| | EVM (Z) | 4.56 | 5.43 | 4.86 | |
| Change View | 100 /100 | | | Single | |
| | Application Config | | | | |
| | FTAP Rate | | | | |
| | 1228.8 kbps | | | | |
| | (1 Slot, QPSK) | | | | |
| | RTAP Rate | | | | |
| | 9.6 kbps | | | | |
| | Active Cell | | Sys Type: IS-856 | | |
| | Connected | | | | |
| 1 of 2 | IntRef | Offset | PLSub0 | FTAP | |
| | | | | 1 of 3 | |

40 °C / FTAP / 1228.8 k / 384 CH

| Measurement/Instrument Screen | | | | | |
|-------------------------------|---------------------------|---------|------------------|------------|--|
| Waveform Quality: Numeric Rho | | | | | |
| Control | | | | Call Parms | |
| Waveform Quality Setup | Rho | Minimum | Maximum | Average | |
| | | 0.9969 | 0.9981 | 0.9977 | |
| | Frequency Error (Hz) | -11.23 | 0.52 | -6.58 | |
| | Time Error (us) | -0.12 | 0.05 | 0.01 | |
| | Carrier Feedthrough (dBc) | -76.50 | -56.54 | -62.62 | |
| | Phase Error (°) | 1.61 | 4.88 | 3.54 | |
| | Mag Error (Z) | 3.40 | 4.57 | 3.85 | |
| | EVM (Z) | 4.36 | 5.54 | 4.80 | |
| Change View | 100 /100 | | | Single | |
| | Application Config | | | | |
| | FTAP Rate | | | | |
| | 1228.8 kbps | | | | |
| | (1 Slot, QPSK) | | | | |
| | RTAP Rate | | | | |
| | 9.6 kbps | | | | |
| | Active Cell | | Sys Type: IS-856 | | |
| | Connected | | | | |
| 1 of 2 | IntRef | Offset | PLSub0 | FTAP | |
| | | | | 1 of 3 | |

50 °C / FTAP / 1228.8 k / 384 CH

-BLANK-

14.4.2 Frequency error vs. Voltage

| Measurement/Instrument Screen | | | | | | | | | |
|------------------------------------|---------------------------|--------|--------|------------------|--------|--|---------|--|--|
| Waveform Quality: Numeric Rho | | | | | | | | | |
| Control | Minimum | | | Maximum | | | Average | | |
| Waveform Quality Setup | Rho | 0.9960 | 0.9987 | 0.9983 | | | | | |
| | Frequency Error (Hz) | -9.42 | 7.58 | -2.85 | | | | | |
| | Time Error (us) | 0.01 | 0.02 | 0.02 | | | | | |
| Change View | Carrier Feedthrough (dBc) | -57.02 | -50.56 | -53.84 | | | | | |
| | Phase Error (*) | 1.29 | 4.13 | 3.19 | | | | | |
| | Mag Error (Z) | 2.74 | 5.33 | 3.25 | | | | | |
| | EVM (Z) | 3.54 | 6.30 | 4.12 | | | | | |
| | 100 /100 | | | Single | | | | | |
| | Active Cell Connected | | | Sys Type: IS-856 | | | | | |
| 1 of 2 | IntRef | Offset | PLSub0 | FTAP | 1 of 3 | | | | |
| DC 3.0V / FTAP / 1228.8 k / 384 CH | | | | | | | | | |

| Measurement/Instrument Screen | | | | | | | | | |
|------------------------------------|---------------------------|--------|--------|------------------|--------|--|---------|--|--|
| Waveform Quality: Numeric Rho | | | | | | | | | |
| Control | Minimum | | | Maximum | | | Average | | |
| Waveform Quality Setup | Rho | 0.9973 | 0.9988 | 0.9983 | | | | | |
| | Frequency Error (Hz) | -7.48 | 5.76 | -2.06 | | | | | |
| | Time Error (us) | 0.02 | 0.04 | 0.03 | | | | | |
| Change View | Carrier Feedthrough (dBc) | -60.33 | -50.77 | -53.67 | | | | | |
| | Phase Error (*) | 1.26 | 4.18 | 3.26 | | | | | |
| | Mag Error (Z) | 2.70 | 4.41 | 3.27 | | | | | |
| | EVM (Z) | 3.48 | 5.20 | 4.14 | | | | | |
| | 100 /100 | | | Single | | | | | |
| | Active Cell Connected | | | Sys Type: IS-856 | | | | | |
| 1 of 2 | IntRef | Offset | PLSub0 | FTAP | 1 of 3 | | | | |
| DC 3.7V / FTAP / 1228.8 k / 384 CH | | | | | | | | | |

| Measurement/Instrument Screen | | | | | | | | | |
|------------------------------------|---------------------------|--------|--------|------------------|--------|--|---------|--|--|
| Waveform Quality: Numeric Rho | | | | | | | | | |
| Control | Minimum | | | Maximum | | | Average | | |
| Waveform Quality Setup | Rho | 0.9966 | 0.9986 | 0.9983 | | | | | |
| | Frequency Error (Hz) | -7.57 | 5.39 | -2.60 | | | | | |
| | Time Error (us) | -0.13 | 0.04 | -0.03 | | | | | |
| Change View | Carrier Feedthrough (dBc) | -55.79 | -50.24 | -53.23 | | | | | |
| | Phase Error (*) | 1.58 | 4.25 | 3.10 | | | | | |
| | Mag Error (Z) | 2.91 | 5.12 | 3.26 | | | | | |
| | EVM (Z) | 3.78 | 5.84 | 4.12 | | | | | |
| | 100 /100 | | | Single | | | | | |
| | Active Cell Connected | | | Sys Type: IS-856 | | | | | |
| 1 of 2 | IntRef | Offset | PLSub0 | FTAP | 1 of 3 | | | | |
| DC 4.3V / FTAP / 1228.8 k / 384 CH | | | | | | | | | |

-BLANK-