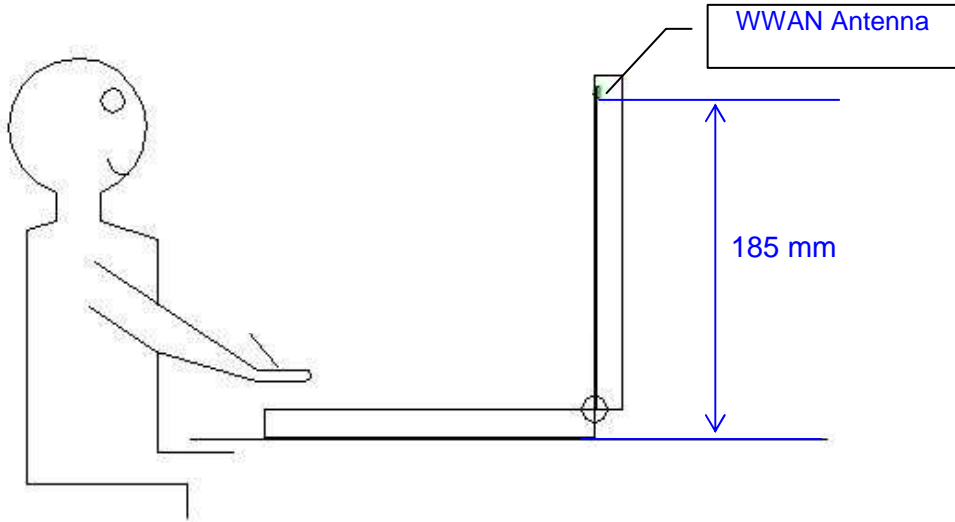


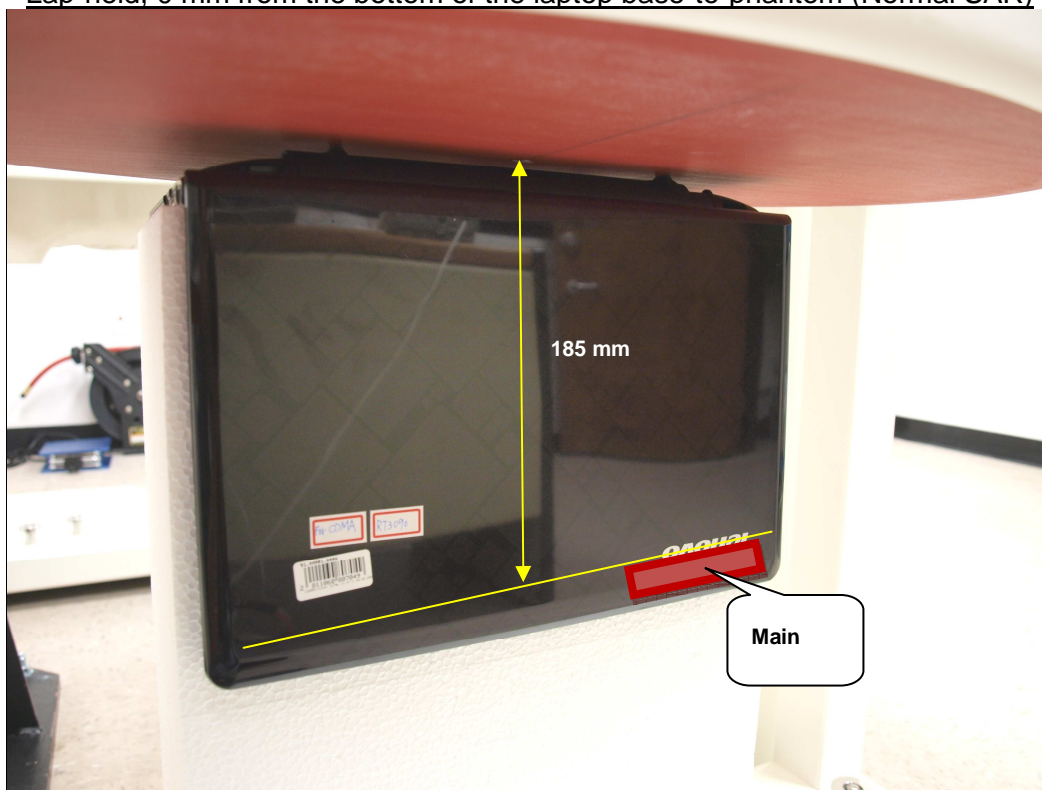
16. Antenna Locations & Separation Distances

Lap-held configuration
(Separation distance between antenna and user)



17. Setup Photo

Lap-held, 0 mm from the bottom of the laptop base-to-phantom (Normal SAR)



18. Host Device Photo



END OF REPORT