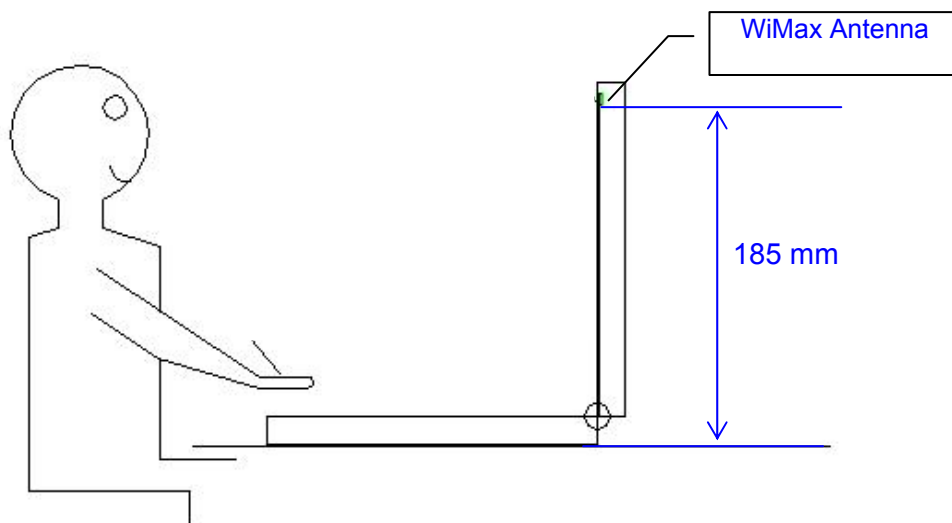


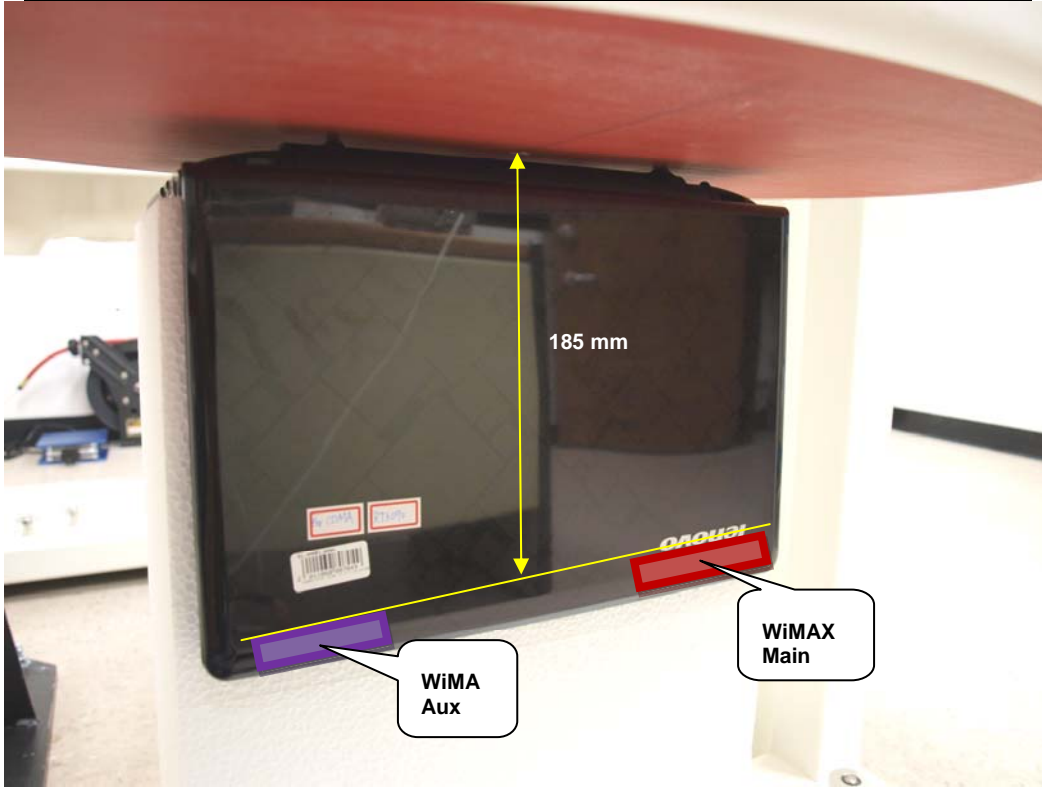
16. Antenna locations and Separations

Lap-held configuration
(Separation distance between antenna and user)

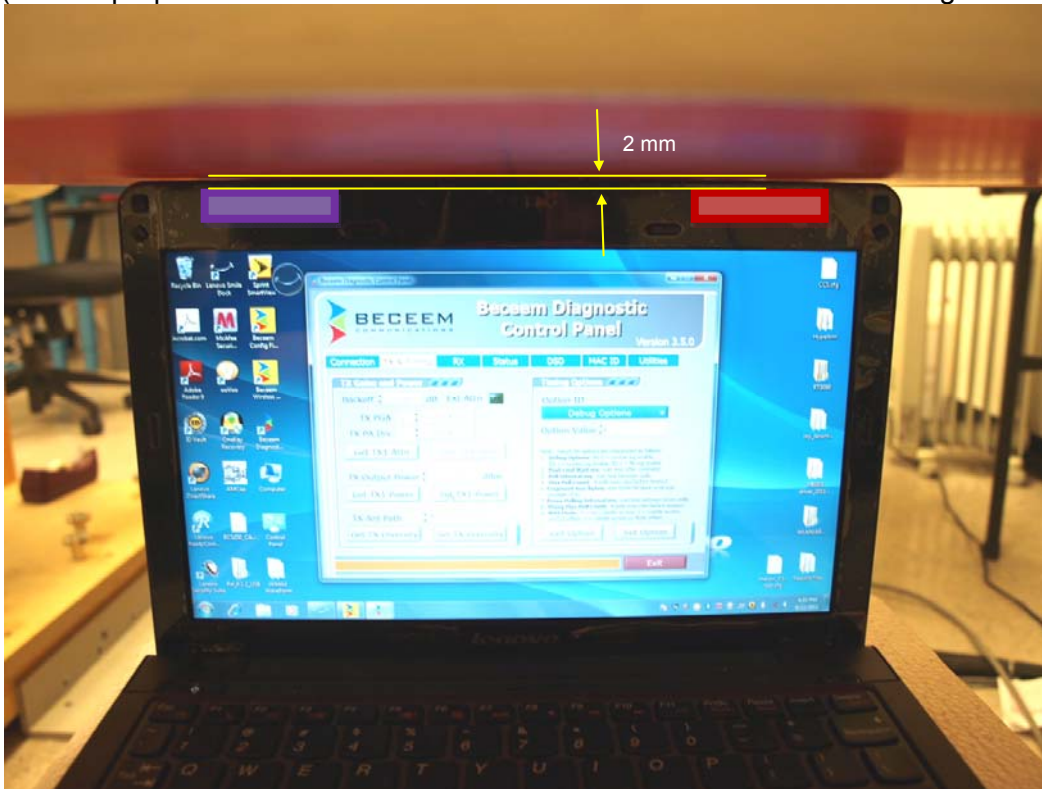


17. Setup Photos

Lap-held, 0 mm from the bottom of the laptop base-to-phantom (Normal SAR)



SAR Linearity test configuration w/ 2 mm from the Antenna-to-phantom (in direct contact to flat phantom)
(For the purpose of evaluation but not consider as normal SAR test configuration)



18. Host Device Photo



END OF REPORT