

# **LT711 Pet Tracker and Battery Charger**

## **User Guide**



# Introduction

---

The following topics describe the basics of using this guide and your new mobile broadband device.

## **Before You Begin**

Thank you for purchasing your new LT711 Pet Tracker!

The following topics explain how best to use this guide to get the most out of your device.

## **Before Using Your Device**

Read [Safety and Notices](#) thoroughly for proper usage.

Accessible services may be limited by subscription contract conditions.

## **Guide Usage Notes**

Note that most descriptions in this guide are based on your device's default settings at the time of purchase.

## **Screenshots and Key Labels**

Screenshots and Key labels are provided for reference only. Actual windows, menus, etc. may differ in appearance.

## **Other Notations**

In the user guide, the mobile broadband device may be referred to either as "Tracker," "Device," or "Pet Tracker."

## **Package Contents**

See below for details on everything you will find in the box for yourLT711.

- LT711 Pet Tracker Device
- 2ea of Rechargeable Battery
- Battery Charger
- Quick Start Guide

# Get Started

---

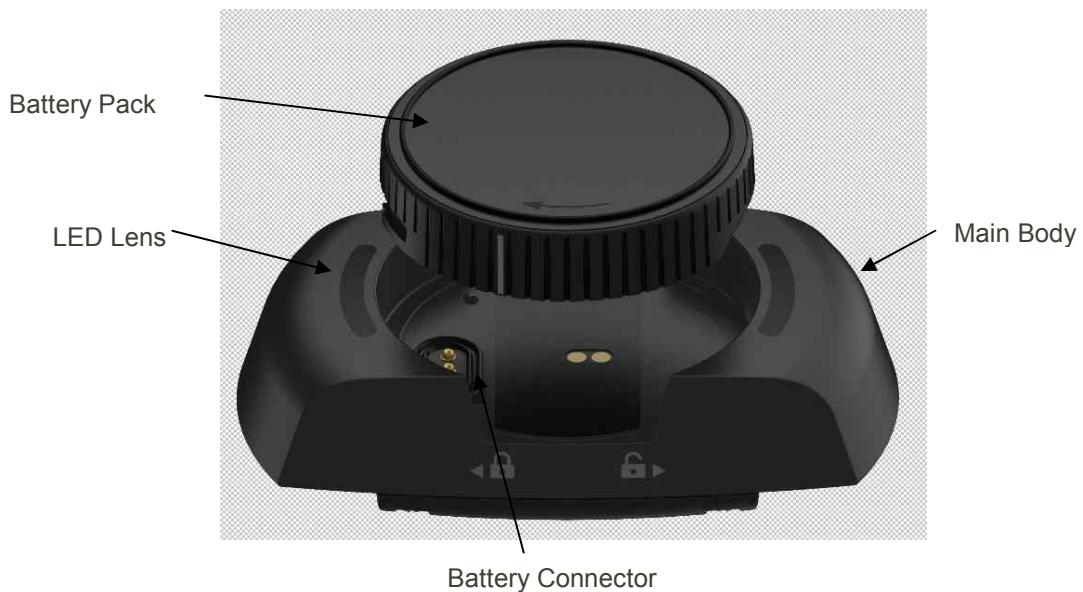
The following topics give you all the information you need to set up your device and wireless service for the first time.

## Device Parts and Functions

Learn your device's primary parts and functions.

### Device and Charger Layout

The following illustration outlines your device's primary external features and buttons.



## Battery Use

The following topics explain how to insert and remove your device's battery.

### **Battery Cautions**

**Storage:** Avoid storing or leaving the battery with no charge remaining. Saved information and settings may become lost or changed, or battery may become unusable. Charge once every six months before storing or leaving unused for a long period.

**Bulges:** Depending on use, bulges may appear near end of battery life. This does not affect safety.

**Replacing the Battery:** The battery is a consumable item. It needs to be replaced if operating time shortens noticeably. Purchase a new battery.

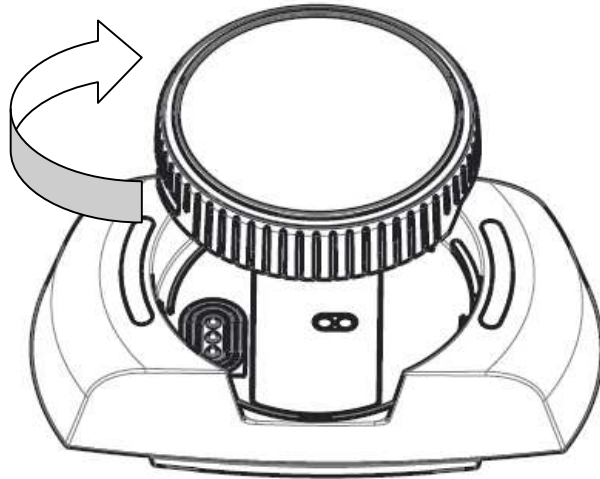
**Cleaning:** Clean soiled terminals between battery and device with a clean, dry cotton swab. Soiled terminals can result in a poor connection and prevent charging, etc.

## Inserting / Removing the Battery

Follow these instructions to insert your device's battery safely and properly.

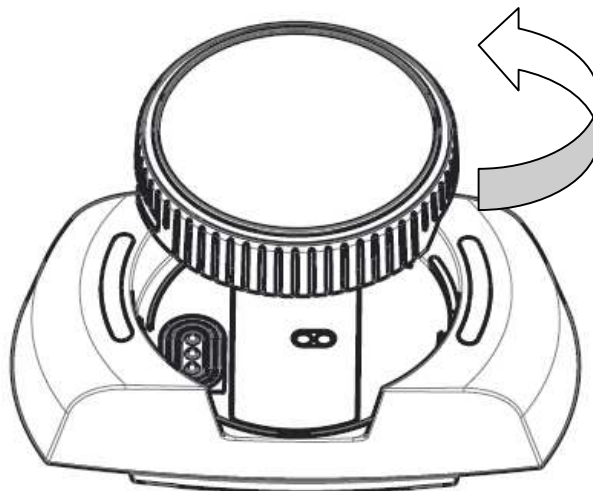
### 1. Insert the battery

Put battery on the top case and turn it clockwise until it is fully locked.



### 2. Remove the battery cover.

Turn the battery counterclockwise until it is fully locked.



## Cautions

RISK OF EXPLOSION IF BATTERY IS REPLACED BY AN INCORRECT TYPE.  
DISPOSE OF USED BATTERIES ACCORDING TO THE INSTRUCTIONS

**! Mise en garde**

RISQUE D'EXPLOSION SI LA PILE EST REMPLACÉE PAR UN TYPE INCORRECT.  
JETER LES PILES USÉES SELON LES INSTRUCTIONS

### How to assemble pet collar with tunnel

1. Unscrew
2. Separate the tunnel from the bottom case
3. Put your pet collar between tunnel and bottom case
4. Screw until they are fully tightened.



### Charge the Battery

Follow these instructions to charge your device's battery using the included Battery Charger.

**! Battery Charging Cautions**

**Charging Conditions:** Under low temperatures charging performance decreases. Charge your device in temperatures between 0°C – 40°C. Do not charge in places where there is high humidity.

**Use Supplied Accessories:** Always use the supplied Battery Charger.

**Precaution for Extended Use:** Your device may become hot when used for a long time or while charging, especially in high temperatures. Prolonged contact with skin may cause low-temperature burn injuries.

**The LT711 and Battery Charger Becoming Warm or Hot:** Your device and the Battery Charger may become warm while charging. This is not a malfunction. However, stop using them immediately if they become extremely hot; this could indicate a malfunction.



## Charge Using the Battery Charger

Use the supplied battery charger.

1. Plug the battery charger into an electrical outlet.
  - ❖ The LED on the top case blinks green when charging starts. The light turns green solid when the battery is fully charged. Fully charging a battery may take up to 2.5 hours.

When fully charged, unplug the battery charger from the outlet.

 **The socket-outlet shall be installed near the equipment and shall be easily accessible.**

 **La prise de courant doit être installée à proximité de l'équipement et doit être facilement accessible.**

### **Turn Your Device On and Off**

When the battery pack is connected with the device, power is automatically ON, and OFF when battery pack is disconnected.

# How to Download the APP

---

## Step 1: Power UP the device and Activate

- By pulling the plastic tap, remove the plastic cover sheet between the battery and the tracker
- When device is power on, the device will be activated automatically for next 2 ~ 3 min.
- Recommend not to remove the battery while activation is in progress.

## Step 2: Download the App

- Visit your App store on your smartphone.
- Search for “Pintrac”
- Find the App, download and install.
- Create Username and Password
  - a. If you have an existing Pintrac Drive, you may use same username and password

## Step 3: Begin registering your tracker device

- Register your IMEI of the device via Bluetooth.
  - a. If not successful via Bluetooth, scan the IMEI 2D barcode number located in the device or on the packaging box.
  - b. If not successful via IMEI barcode scan, you can enter 15 digit IMEI number manually

## Step 4: Create a pet profile and Virtual Geo-Fence

- Create your pet profile during the setup
- Create your pet’s Virtual Geo-fence by drawing your own fence boundary either circular format or free format
- Create your pet’s Virtual Geo-fence by selecting home Wi-Fi SSID.



### Device and Battery Charger LED Scenario

| Device | Behavior | Represents   | Note   |
|--------|----------|--|--|
| Green  | Solid    | Booting up   |  |
|        | Blinking | LTE or UMTS connection is established<br>or<br>Device Registration is incomplete |  |
| Red    | Solid    | Firmware Error   |  |
|        | Blinking | LTE or UMTS Connection is not<br>established                                     |  |
| White  | Solid    | On-Demand Light On for 10 sec  |  |
| No LED | None     | Everything is OK or No Power   | User has to check the<br>battery status from App |

### LT711 Tracker Device Specifications

| Item                          | Description   |
|-------------------------------|---|
| <b>Model name</b>             | LT711 Pet Tracker                                     |
| <b>Dimensions<sup>1</sup></b> | 68.4mm (L) x 38.3mm (W) x 15.4mm (H)                  |
| <b>Weight</b>                 | 49g (including Battery Pack)                          |
| <b>Compatible networks</b>    | LTE category 1 / Band 2,4,12<br>UMTS (WCDMA) Band 2,4 |
| <b>LED</b>                    | 2 multi-color LED (7 different Colors)                |
| <b>SIM</b>                    | Embedded SIM  |
| <b>Battery</b>                | 3.8V 340mAh   |
| <b>TO BE UPDATED</b>          |   |
|                               |   |
|                               |   |
|                               |   |

| Item | Description |
|------|-------------|
|      |             |
|      |             |
|      |             |

<sup>1</sup> Approximate values

<sup>2</sup> Varies by ambient temperature, battery usage, etc.


<sup>3</sup> Varies by environment, signal conditions, etc.

### LT711 Battery Charger



## Specifications

| Item                                      | Description   |
|---|---|
| <b>Dimensions</b>                         | 89mm(L) x 40mm(W) x 27mm(H)   |
| <b>Weight</b>                             | 56g (Without Battery Pack)  |
| <b>Input Voltage Range</b>                | 100-240Vac  |
| <b>Input Frequency Range</b>              | 47 Hz to 63 Hz  |
| <b>Input Power Consumption at no-load</b> | 0.075W Max  |
| <b>Input In-rush Current</b>              | 50A Max   |
| <b>Input Current</b>                      | 0.2A Max  |
| <b>Output Voltage</b>                     | 5V  |
| <b>Output Regulation</b>                  | 4.7-5.3V  |
| <b>Output Load Range</b>                  | 0-1A  |
| <b>Output Ripple &amp; Noise</b>          | 200mV Max @20MHz bandwidth<br>with 10UF/50V capacitance and 104/50V ceramic capacitor   |
| <b>Charging time</b>                      | 2.5 hours   |
| <b>ENVIRONMENTAL CONDITIONS</b>           | <p>The switching power supply can withstand the following environmental conditions:</p> <p>Storage Temperature: -20°C - +70 °C</p> <p>Relative Humidity: 10% - 95%</p> <p>Operation Temperature :0°C~40°C</p> <p>Relative Humidity: 10% - 95%</p> |

 **WARNING:** DO NOT attempt to charge the battery. All components must be dry before connecting to an external power source.

**LED Scenario**

| Color  | Behavior | Represents              | Note |
|--------|----------|-------------------------|------|
| Green  | Solid    | Charging is completed   |      |
|        | Blinking | Charging is in progress |      |
| No LED | None     | Battery is not inserted |      |

# Warranty and Service

---

The following topics outline your device's warranty and service information.

## Warranty

Your device purchase includes Warranty.

- Confirm shop name and purchase date.
- Read contents of Warranty and keep it in a safe place.
- Check warranty period in the Warranty.

## Services

Before submitting your device for repairs, contact Service Provider's Customer Service or General Information; be prepared to describe the problem in detail.

- During the warranty period, repairs will be made under the terms and conditions described in the Warranty.
- After the warranty period, repairs will be upon request; if said repairs can be made, you will be charged for them.

## Customer Service

For mobile broadband device or service information, call general information. For repairs, call your Service Provider's customer assistance.

## Trademarks and Copyright Information

The names of companies, products, and services used in this guide are registered trademarks or trademarks of the respective companies.

Franklin Wireless logo is trademarks or registered trademarks of Franklin Wireless Corporation in US. Copyright © 2017 Franklin Wireless Corporation. All rights reserved.

# Safety and Notices

---

The following topics address important safety precautions, general notes, and required RF exposure information for your mobile broadband device.

## Safety Precautions

The following topics outline important safety precautions that must be observed when using your device.

### Important Notice

Due to the nature of wireless communications, transmission and reception of data can never be guaranteed. Data may be delayed, corrupted (i.e., have errors) or be totally lost. Although significant delays or losses of data are rare when wireless devices are used in a normal manner with a well-constructed network, your device should not be used in situations where failure to transmit or receive data could result in damage of any kind to the user or any other party, including but not limited to personal injury, death, or loss of property. Franklin Wireless accepts no responsibility for damages of any kind resulting from delays or errors in data transmitted or received using your device, or for failure of your device to transmit or receive such data.

### Safety and Hazards

Do not operate your device under the following conditions.

- In areas where blasting is in progress
- Where explosive atmospheres may be present
- Near medical equipment
- Near life support equipment, or any equipment that may be susceptible to any form of radio interference.

In such areas, your device **MUST BE POWERED OFF**. Your device can transmit signals that could interfere with this equipment.

Do not operate your device in any aircraft, whether the aircraft is on the ground or in flight. In aircraft, your device **MUST BE POWERED OFF**. When operating, your device can transmit signals that could interfere with various onboard systems.

**Note:** Some airlines may permit the use of cellular phones while the aircraft is on the ground. Your device may be used at this time if allowed by airlines.

The driver or operator of any vehicle should not operate the device while in control of a vehicle. Doing so will detract from the driver or operator's control and operation of that vehicle. In some jurisdictions, operating such communications devices while in control of a vehicle is an offense.

## Proper Battery Use and Disposal

Follow these guidelines to ensure safe and responsible battery use.

- Do not open, disassemble, puncture, crush, bend, or shred.
- Do not expose to water or other liquids, fire, explosion, or other hazards.
- Use the original LT711 battery supplied with your device.
- If using with a charger, use only the AC charger supplied with your device.
- Do not short circuit the battery.
- When replacing a battery, use the same model of battery that was supplied with your device.
- Follow local regulations when disposing of a used battery.
- Avoid dropping your device or the battery. If dropped and you suspect damage, take it to a service center for inspection.
- Battery usage by children should be supervised.

**Note:** Improper battery use may result in a fire, explosion, or other hazard.

## FCC Compliance

This device complies with part 15 of the FCC Rules. Operation is subject to the following two conditions: (1) This device may not cause harmful interference, and (2) this device must accept any interference received, including interference that may cause undesired operation.

**Note:** Any changes or modifications not expressly approved by the party responsible for compliance could void the user's authority to operate this equipment.

This equipment has been tested and found to comply with the limits for a Class B digital device, pursuant to part 15 of the FCC Rules. These limits are designed to provide reasonable protection against harmful interference in a residential installation. This equipment generates, uses and can radiate radio frequency energy and, if not installed and used in accordance with the instructions, may cause harmful interference to radio communications. However, there is no guarantee that interference will not occur in a particular installation. If this equipment does cause harmful interference to radio or television reception, which can be determined by turning the equipment off and on, the user is encouraged to try to correct the interference by one or more of the following measures:

- Reorient or relocate the receiving antenna.
- Increase the separation between the equipment and receiver.
- Connect the equipment into an outlet on a circuit different from that to which the receiver is connected.
- Consult the dealer or an experienced radio/TV technician for help.

## General SAR test exclusion guidance

### Standalone SAR test exclusion considerations

- Unless specifically required by the *published RF exposure KDB procedures*, standalone 1-g head or body and 10-g extremity SAR evaluation for general population exposure conditions, by measurement or numerical simulation, is not required when the corresponding *SAR Test Exclusion Threshold* condition(s), listed below, is (are) satisfied. These test exclusion conditions are based on source-based time-averaged maximum conducted output power of the RF channel requiring evaluation, adjusted for tune-up tolerance, and the minimum *test separation distance* required for the exposure conditions.<sup>28</sup> The minimum *test separation distance* defined in 4.1 f) is determined by the smallest distance from the antenna and radiating structures or outer surface of the device, according to the host form factor, exposure conditions and platform requirements, to any part of the body or extremity of a user or bystander. To qualify for SAR test exclusion, the *test separation distances* applied must be fully explained and justified, typically in the SAR measurement or SAR analysis report, by the operating configurations and exposure conditions of the transmitter and applicable host platform requirements, according to the required *published RF exposure KDB procedures*. When no other RF exposure testing or reporting are required, a statement of justification and compliance must be included in the equipment approval, in lieu of the SAR report, to qualify for SAR test exclusion. When required, the device specific conditions described in the other *published RF exposure KDB procedures* must be satisfied before applying these SAR test exclusion provisions; for example, handheld PTT two-way radios, handsets, laptops and tablets, etc.