

**OG-ISAT Technical Note
OGi Module Internal Photos**

File: HWD0007HD003

Orbcomm
750 Palladium Drive, Suite 368
Ottawa, Ontario, Canada, K2V 1C7
(613) 836-6288
www.Orbcomm.com

APPROVALS	TITLE	SIGNITURE	DATE	
Xinming Wang	Manager, Hardware Design Engineering			

Restrictions on Disclosure of Data

This document contains information proprietary to ORBCOMM, or to a third party to which ORBCOMM may have legal obligation to protect such information from unauthorized disclosure, use or duplication. Any disclosure, use or duplication of this document, or of any of the information contained herein for other than the specific purpose for which it was disclosed, is expressly prohibited.

TABLE OF CONTENTS

1. INTRODUCTION3

2. REVISION HISTORY3

3. OGI MODULE CONFIGURATION DIAGRAM3

4. OGI MODEM INTERNAL PHOTOS4

5. OGI MODULE ANTENNA INTERNAL PHOTOS5

1. INTRODUCTION

This document provides internal photos of ORBCOMM Mobile Satellite Earth Station(MSES) Module which is operated in INMARSAT IDP Satellite network. The OGi MSES Module consists of a OGi Modem circuit card and a passive antenna card with specified antennas. There are two specified antennas can be selected for different application: standard patch antenna and low elevation antenna.

2. REVISION HISTORY

Revision	Description	Author	Date	
A	Initial release	XW	Dec. 17,2015	
B	Update product name	XW	Jan 21, 2016	

3. OGi MODULE CONFIGURATION DIAGRAM

ORBCOMM OGi Module Configuration Diagram

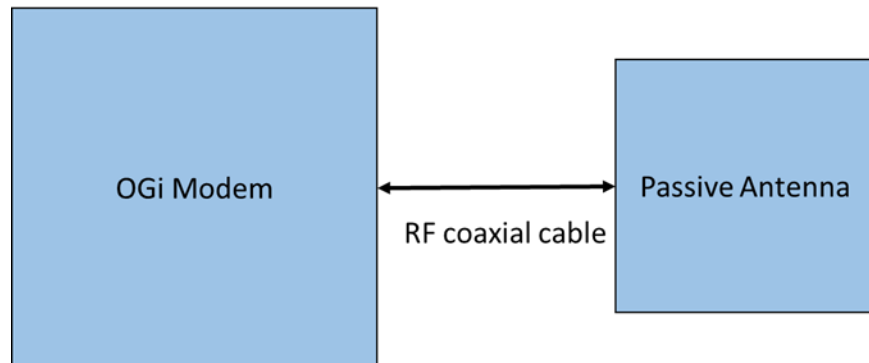


Figure 3.1 OGi Module configuration diagram

4. OGi MODEM INTERNAL PHOTOS



Figure 4.1 OGi Modem Internal Photo –Top view



Figure 4.2 OGi Modem Internal Photo –Bottom view

5. OGi MODULE ANTENNA INTERNAL PHOTOS

5.1 Packed standard patch antenna internal photos

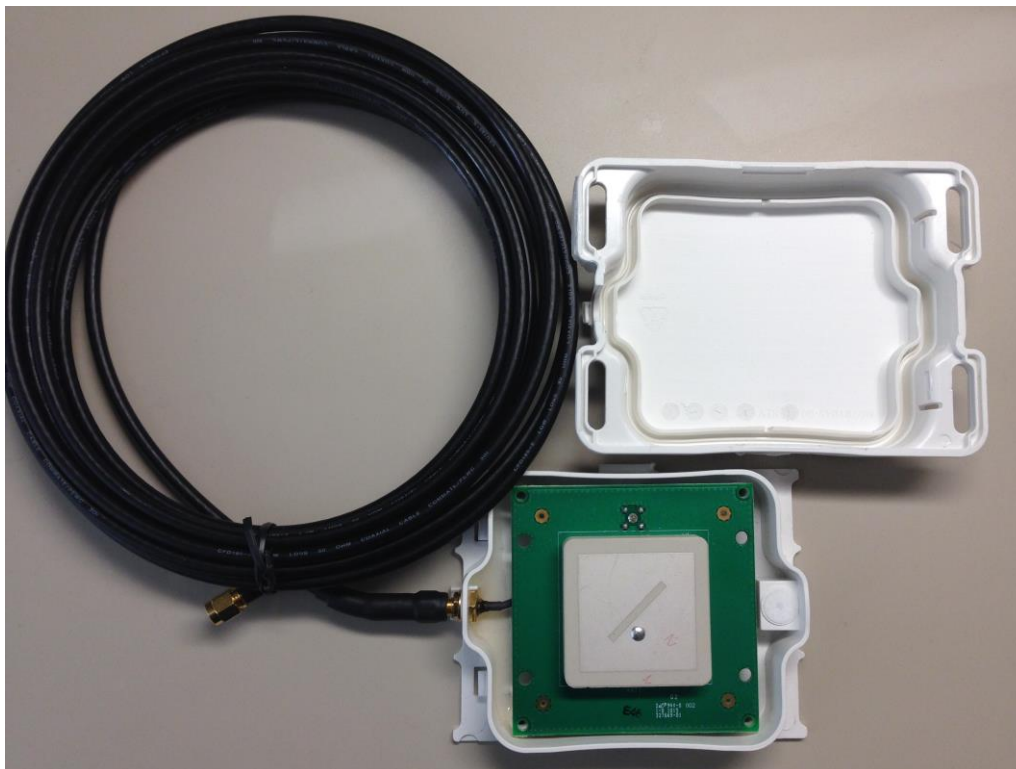


Figure 5.1.1 packed standard patch antenna internal top view

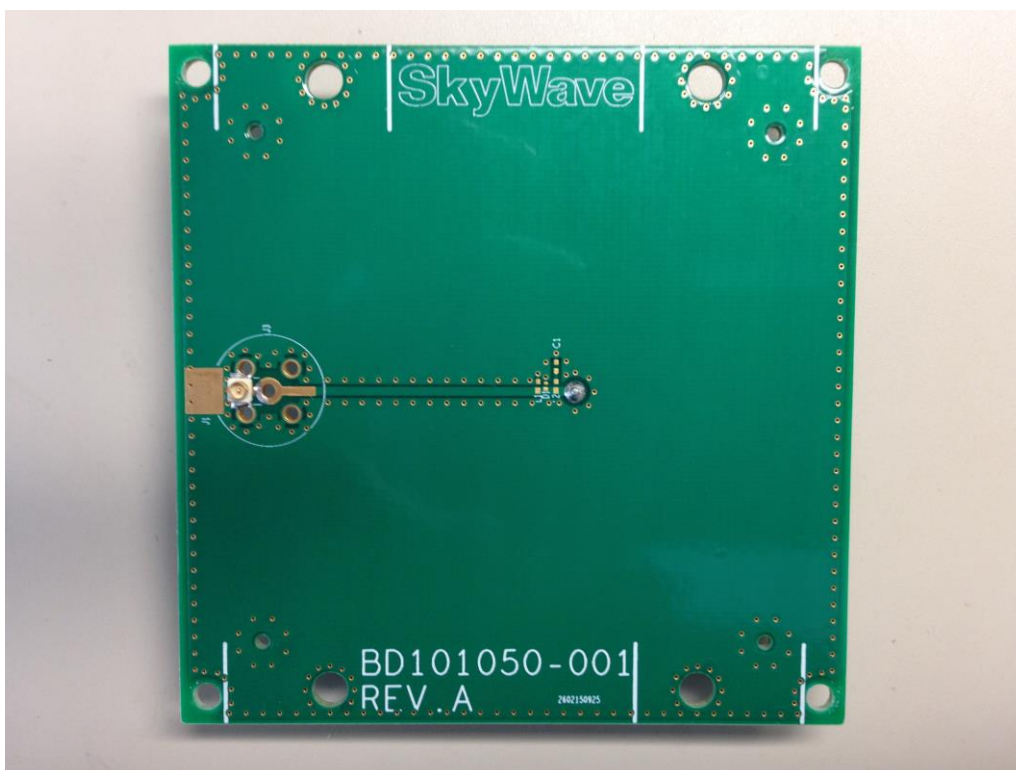


Figure 5.1.2 packed standard patch antenna internal -- bottom view

5.2. Packed low elevation antenna internal photos

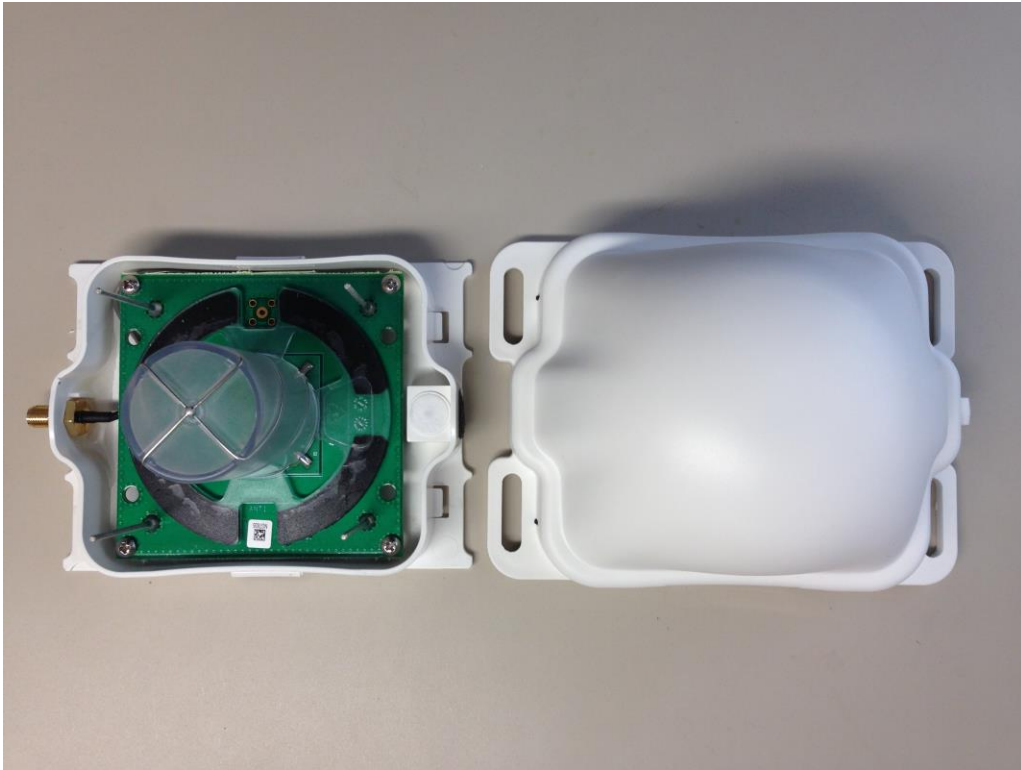


Figure 5.2.1 packed low elevation antenna internal –top view

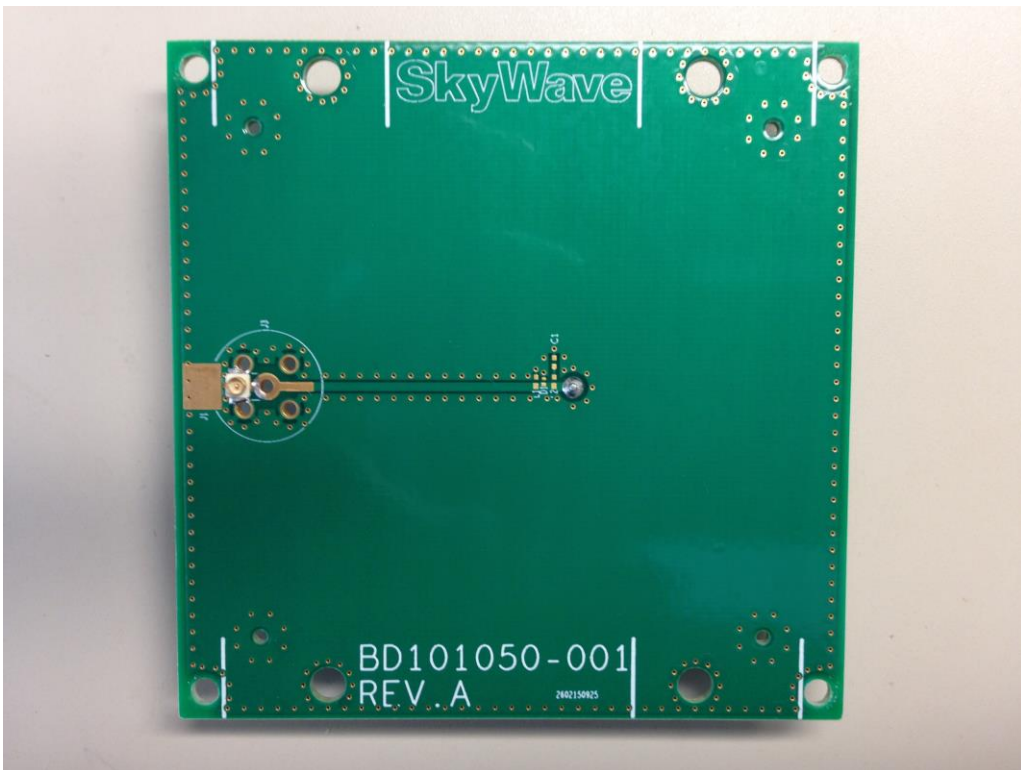


Figure 5.2.2 packed low elevation antenna internal –bottom view