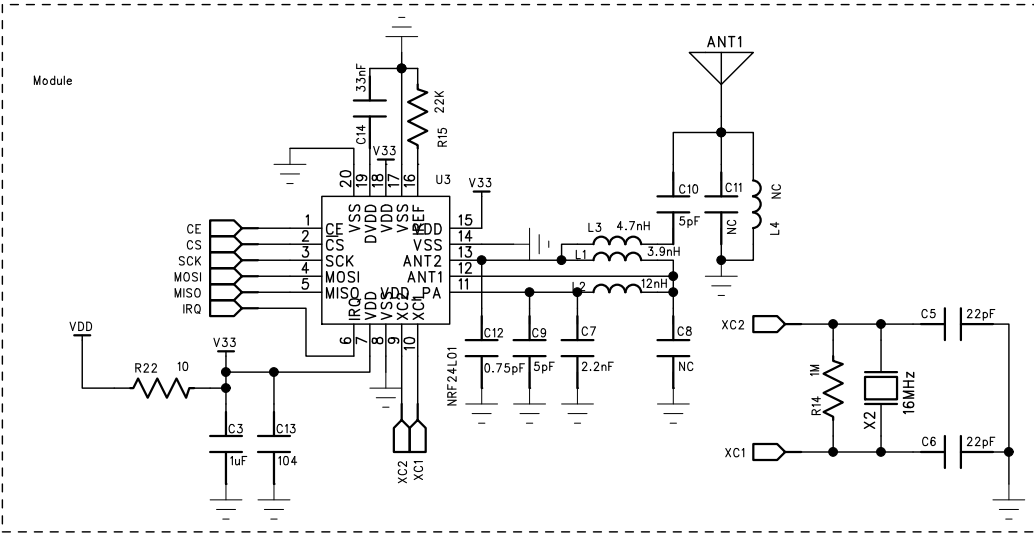
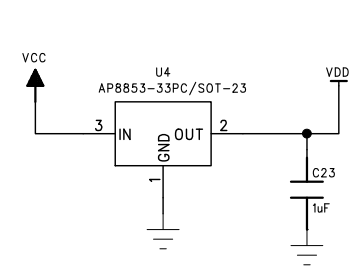
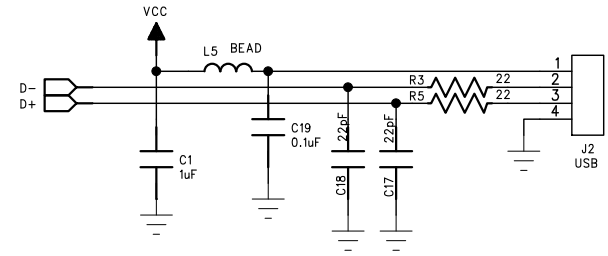
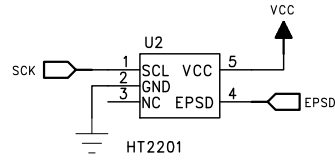
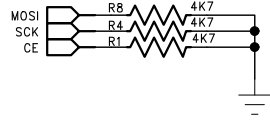
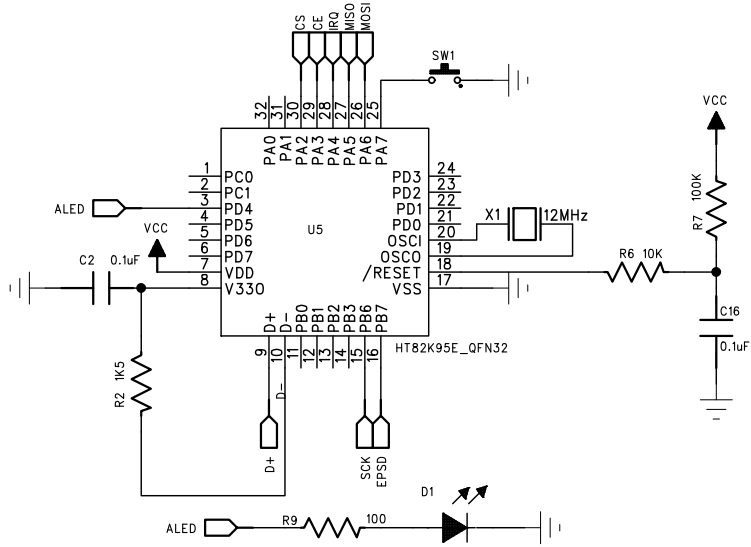


WKB4200 : D1=LED;R9=330R;R14=NC
WKB4000 : D1=NC;R9=NC;R14=330R

Title		
Size	Number	Revision
A		
Date:	24-Apr-2009	Sheet of
File:	E:\pre-release Project\Adesso\A1080502\Drawings\PAD W	

Rev	Description	Date



A-ONE Wireless Technology Corp.	
DRAWING BY: PAUL	APPROVED BY:
TITLE: MINI RX(HT82K95E)	REV:HV100
SIZE: A4	Document Number:
DATE:2008-08-13	SHEET: 1 OF 1