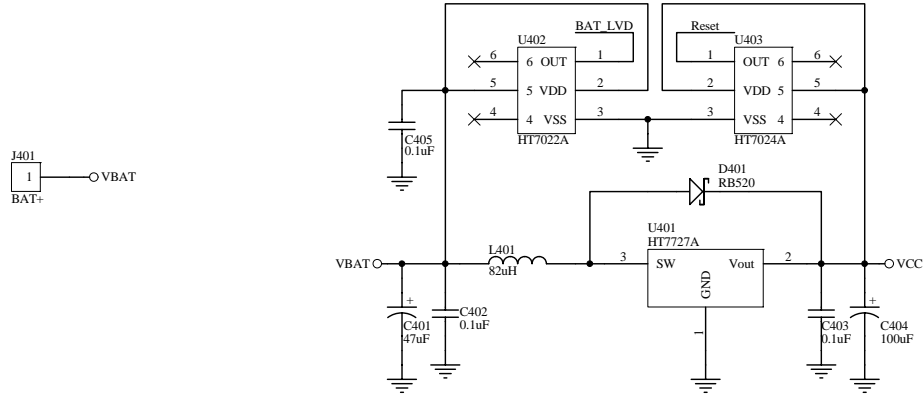
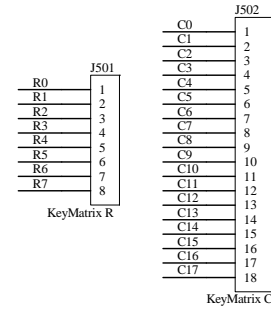


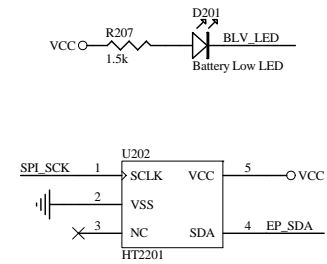
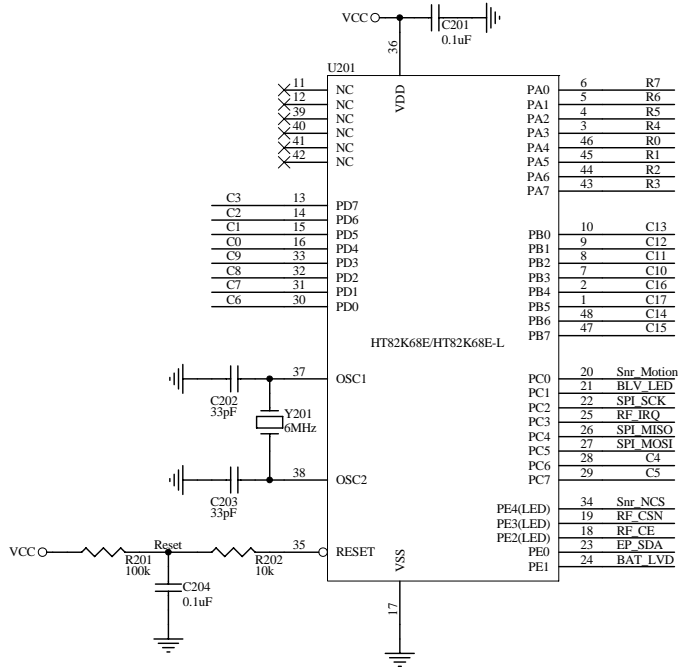
Power



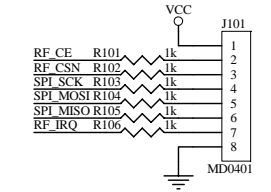
Key Matrix



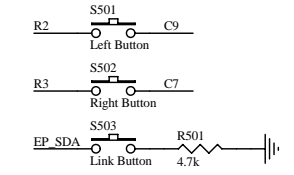
MCU



RF



Key



Title		
Size	Number	Revision
B	A1080503	A-ONE : HV1.03
Date:	18-Sep-2008	Sheet of
File:		

