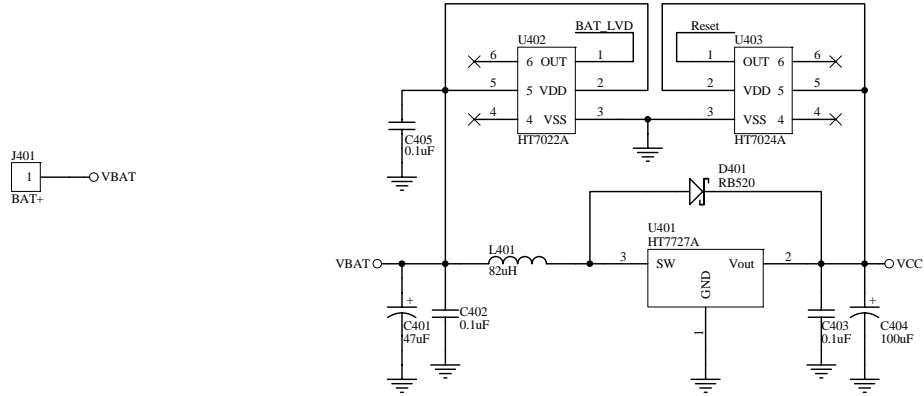
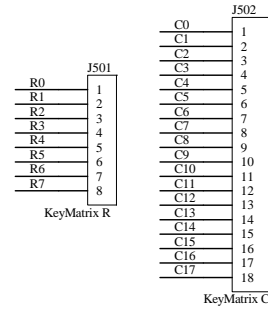


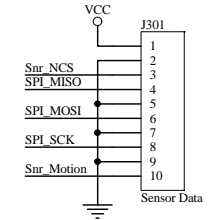
Power



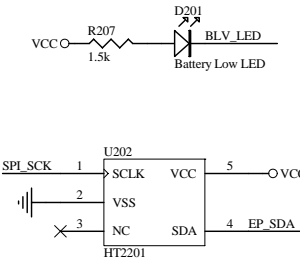
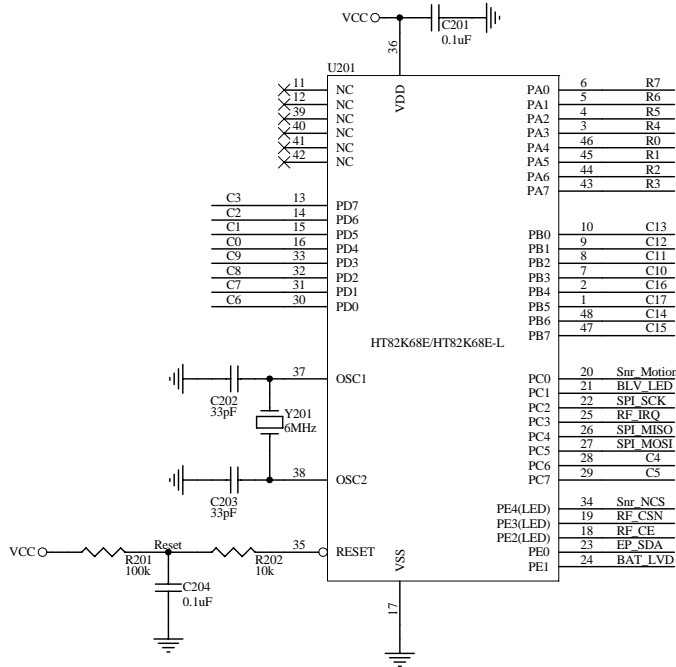
Key Matrix



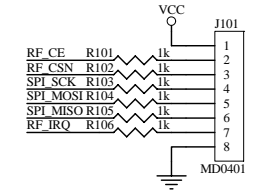
Sensor



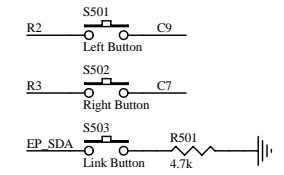
MCU



RF

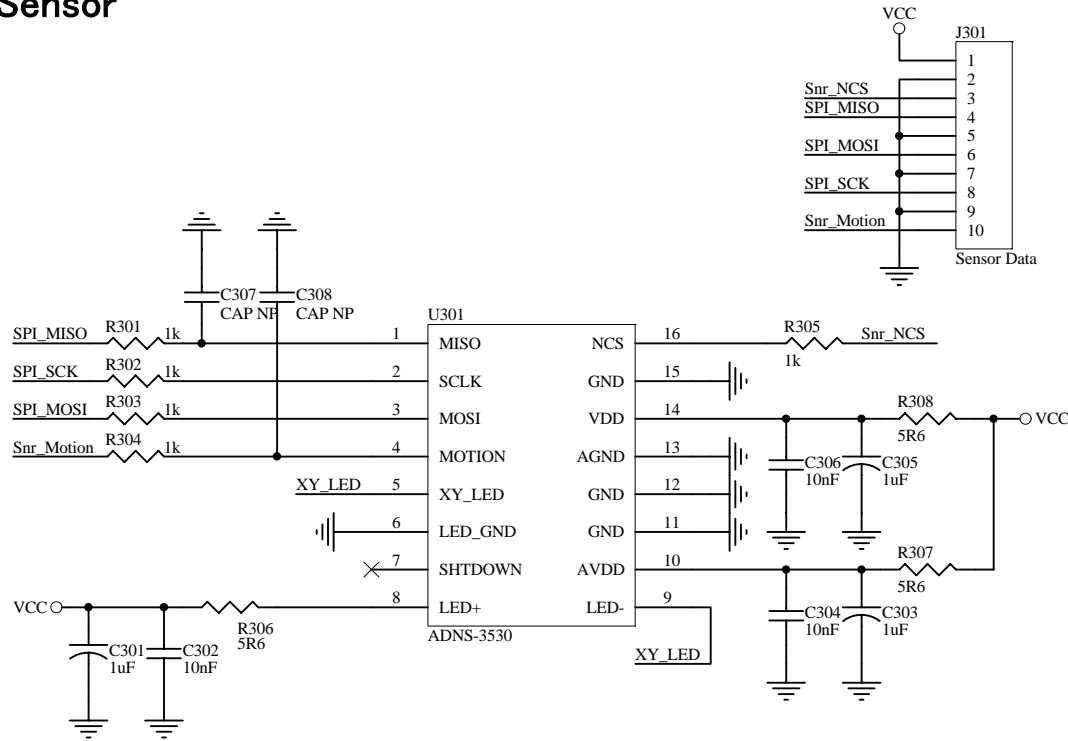


Key

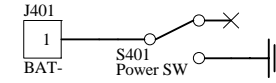


| | | |
|-------|-------------|----------------|
| Title | | |
| Size | Number | Revision |
| B | A1080503 | A-ONE : HV1.03 |
| Date: | 18-Sep-2008 | Sheet of |
| File: | | |

Sensor

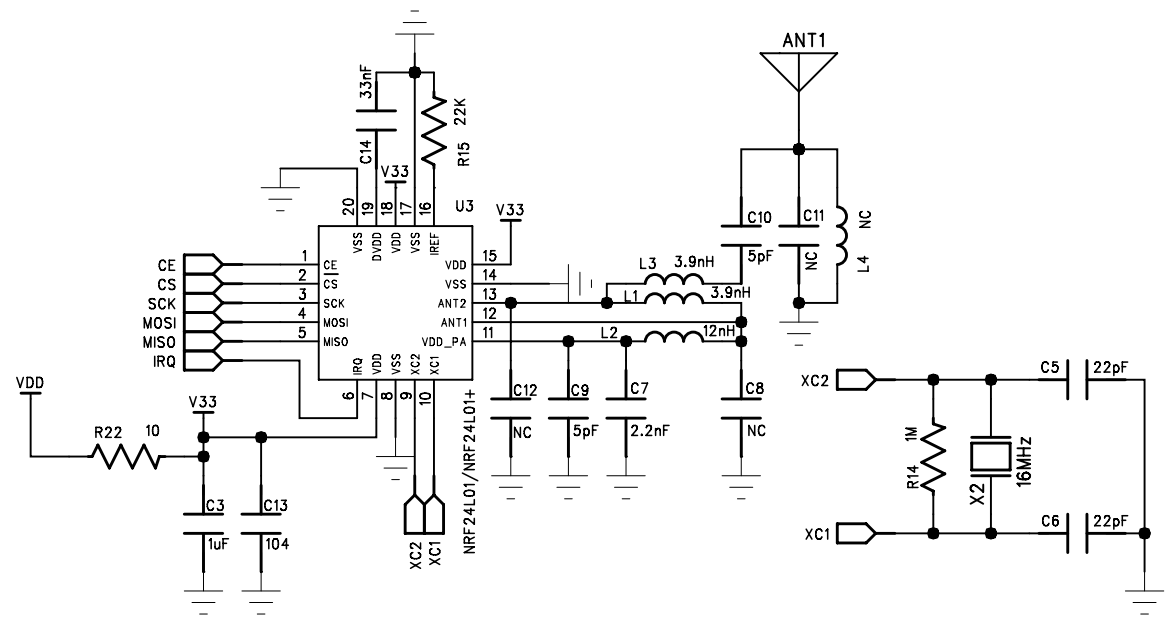
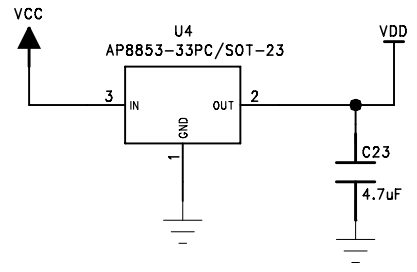
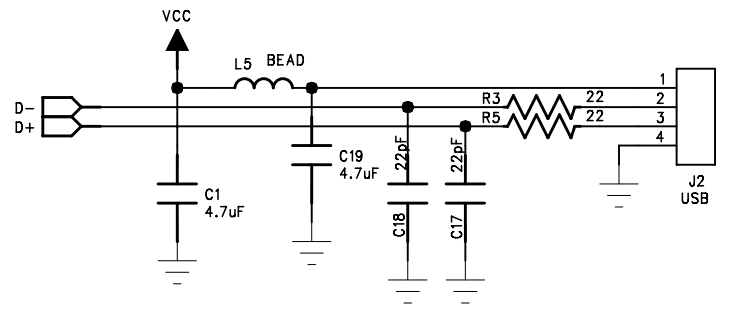
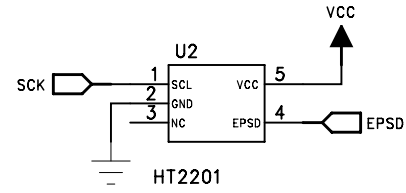
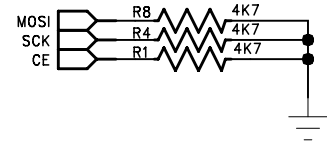
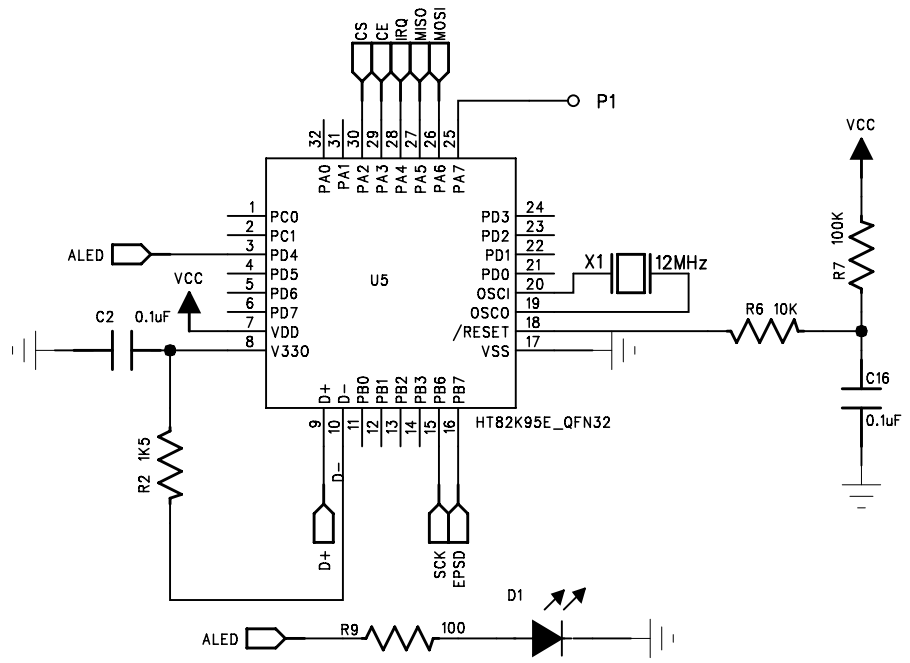


Power



| | | |
|------------|--------------------------------------|--|
| Title | | |
| Size A4 | Number 2.4G KB + Trackball | Revision A-ONE : HV1.02 ABESSO : 0.2 |
| Date: | 18-Sep-2008 | Sheet of |
| File: | | |

| Rev | Description | Date |
|-----|-------------|------|
| | | |



| | | | |
|--------------------------|------------------|--------------|---------------|
| DRAWING BY: PAUL | | APPROVED BY: | |
| TITLE: MINI RX(HT82K95E) | | | REV:HV102 |
| SIZE: A4 | Document Number: | | |
| DATE:2008-09-18 | | | SHEET: 1 OF 1 |