

FRONT

TURTLE BEACH ELITE ATLAS AERO

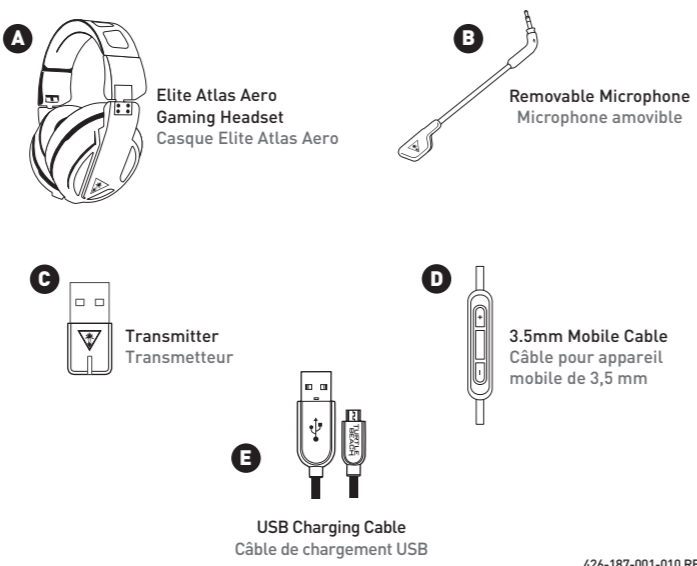
QUICK START GUIDE GUIDE DE DÉMARRAGE RAPIDE

IMPORTANT
READ BEFORE USING

À LIRE
AVANT TOUTE UTILISATION

Any Questions? Des questions ?
turtlebeach.com/eliteatlasaero

Package Contents Contenu



426-187-001-010 RB

Turtle Beach Control Studio Control Studio de Turtle Beach

Important: Download the Turtle Beach Control Studio app before using
Important : Téléchargez l'application Control Studio de Turtle Beach avant d'utiliser votre périphérique

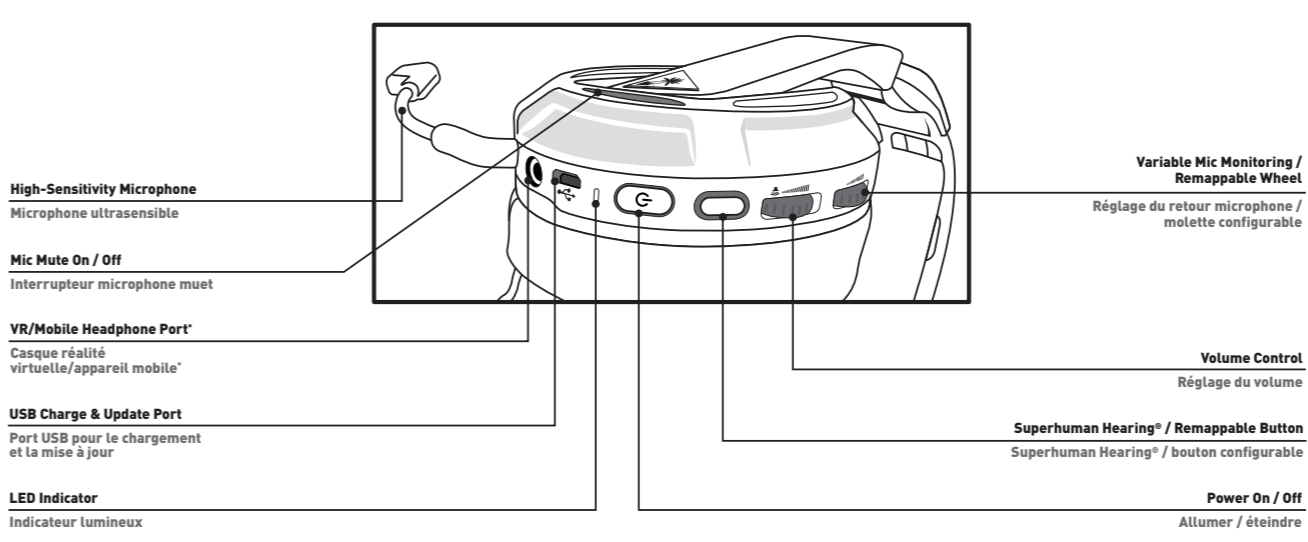


turtlebeach.com/controlstudio

Update your headset with the Turtle Beach Control Studio desktop app to ensure your headset is up-to-date.
Grâce à l'application de bureau Control Studio de Turtle Beach, vous avez la certitude que votre casque bénéficie des dernières mises à jour.

Download the Turtle Beach Control Studio (Windows Only) app to gain full access to the features of your headset. Custom Audio Presets, Game/Chat Mix, Mic Boost, and more can all be found in the Control Studio.
Téléchargez l'application Control Studio de Turtle Beach (Windows uniquement) pour profiter pleinement de toutes les fonctionnalités de votre casque. L'application Control Studio vous permet d'accéder à des presets audio personnalisés, des options de mélange jeu/chat et d'amplification de sortie microphone, et bien plus encore.

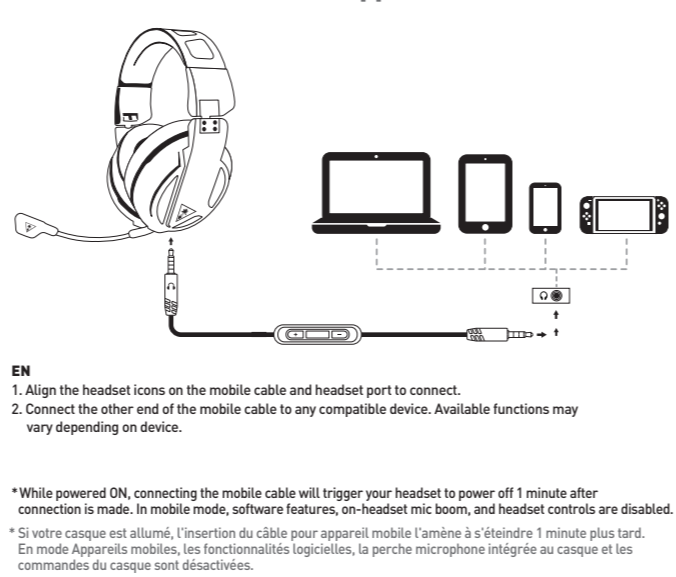
Headset Controls Commandes Du Casque



Windows 8.1 / 10 - PC Setup Windows 8.1 / 10 - Configuration PC

- EN 1. Plug the Transmitter in a USB port on your PC.
- FR 1. Branchez le transmetteur à un port USB disponible de votre PC.
- IT 1. Inserisci il trasmettitore in una porta USB libera sul tuo PC.
- DE 1. Schließen den Sender an einen USB-Anschluss deines PCs an.
- ES 1. Conecta el transmisor a un puerto USB de tu PC.
- PT 1. Enchaîne o transmissor num porto USB do PC.
- RU 1. Подключите передатчик к свободному порту USB на компьютере.
- PL 1. Podłącz nadajnik do wolnego portu USB na PC.
- UK 1. Підключіть передатник до вільного порту USB на ПК.
- TR 1. PC'nin boş bir USB portuna transmiyeri takın.
- TH 1. เสียบตัวส่งสัญญาณเข้าที่พอร์ต USB ของคอมพิวเตอร์ของคุณ.
- VI 1. Cắm bộ phát vào cổng USB trên máy tính của bạn.
- HE 1. Plug the Transmitter in a USB port on your PC.
- AR 1. Conecta el transmisor a un puerto USB de tu PC.
- RU 1. Подключите передатчик к свободному порту USB на компьютере.
- PL 1. Podłącz nadajnik do wolnego portu USB na PC.
- UK 1. Підключіть передатник до вільного порту USB на ПК.
- TR 1. PC'nin boş bir USB portuna transmiyeri takın.
- TH 1. เสียบตัวส่งสัญญาณเข้าที่พอร์ต USB ของคอมพิวเตอร์ของคุณ.
- VI 1. Cắm bộ phát vào cổng USB trên máy tính của bạn.

Mobile Setup Installation Sur Appareils Mobiles



*While powered ON, connecting the mobile cable will trigger your headset to power off 1 minute after connection is made. In mobile mode, software features, on-headset mic boom, and headset controls are disabled.

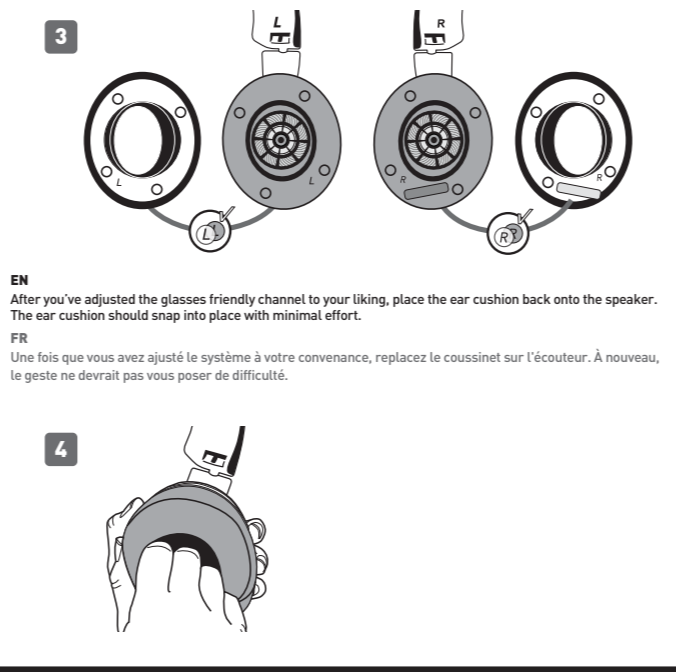
BACK

ProSpecs™ Glasses Relief System Système spécial lunettes ProSpecs™

For those who game with glasses, adjust the ProSpecs™ Glasses Friendly System for added comfort
Le système ProSpecs™ a été conçu spécialement pour garantir aux joueurs qui portent des lunettes un confort accru

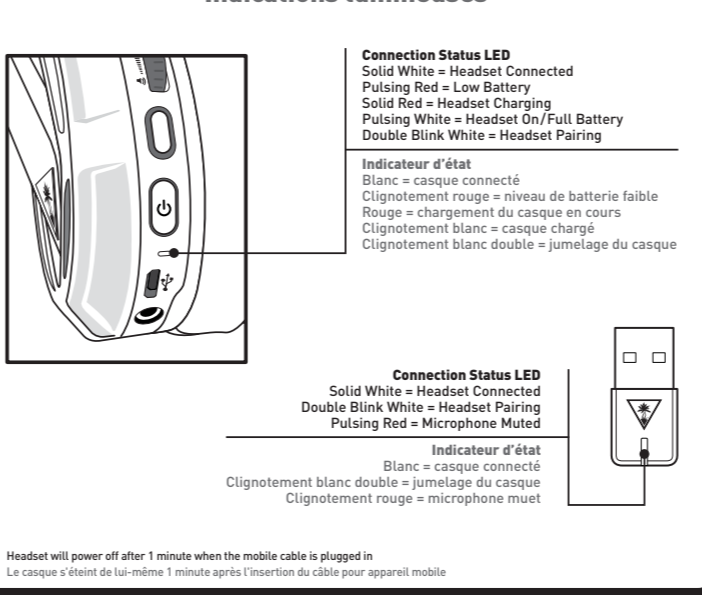


EN Depending on the size of your glasses frame, use the tab adjustment to create the appropriate sized channel in the ear cushion. By default, the adjustment tab is set to the shallowest setting. To increase the sized depth of the channel in the ear cushion, simply pull the tab and attach it to the post behind your preference.



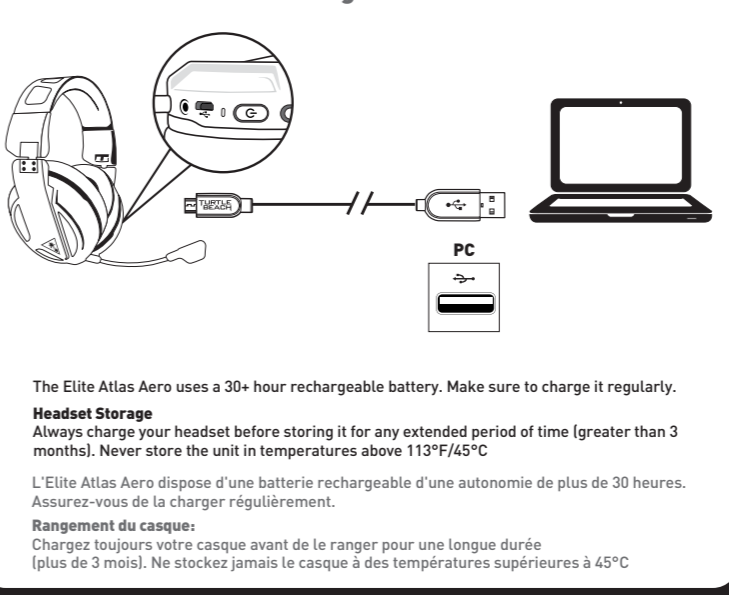
EN After you've adjusted the glasses friendly channel to your liking, place the ear cushion back onto the speaker. The ear cushion should snap into place with minimal effort.
FR Une fois que vous avez ajusté le système à votre convenance, remplacez le coussinet sur l'écouteur. À nouveau, le geste ne devrait pas vous poser de difficulté.

LED Indications Indicateurs lumineuses



EN Connection Status LED
Solid White = Headset Connected
Pulsing Red = Low Battery
Solid Red = Headset Charging
Pulsing White = Headset On / Full Battery
Double Blink White = Headset Pairing

Charging Chargement



The Elite Atlas Aero uses a 30+ hour rechargeable battery. Make sure to charge it regularly.
Headset Storage
Always charge your headset before storing it for any extended period of time (greater than 3 months). Never store the unit in temperatures above 113°F/45°C.

Regulatory Compliance Statements for the Elite Atlas Aero RX & TX
Local Restrictions on Radio Usage
Caution: Due to the fact that the frequencies used by wireless devices may not yet be harmonized in all countries, these radio products are designed for use only in specific countries, and are not allowed to be operated in countries other than those of designated use. As a user of these products, you are responsible for ensuring that the products are used only in the countries for which they were intended and for ensuring that they are configured with the correct selection of frequency and channel for the country of use. Any deviation from the permissible power and frequency settings for the country of use is an infringement of national law and may be prohibited in some countries.
To determine whether you are allowed to use your wireless network device in a specific country, please check to see if the radio type number that is printed on the identification label of your device is listed on the manufacturer's VCCI Regulatory Evidence document or the following URL: www.turtlebeach.com/eliteatlasaero or contact Turtle Beach directly.
Federal Communications Commission (FCC) Compliance Notices
This device complies with the following FCC requirements for the Elite Atlas Aero RX & TX:
• Class B Interference Statement
• RF Radiation Exposure & Hazard Warning
• Non-Modification Statement

Class B Interference Statement
This equipment has been tested and found to comply with the limits for a Class B digital device, pursuant to Part 15, Subpart B of the FCC Rules. These limits are designed to provide reasonable protection against harmful interference in a residential installation. This equipment generates, uses, and can radiate radio frequency energy and, if not installed and used in accordance with the instructions, may cause harmful interference to radio communications. However, there is no guarantee that interference will not occur in a particular installation. This equipment does cause harmful interference to radio or television reception, which can be determined by turning the equipment off and on, the user is encouraged to try to correct the interference by one or more of the following items:
• Reorient or relocate the receiving antenna.
• Increase the separation between the equipment and receiver.
• Connect the equipment into an outlet on a circuit different from that to which the receiver is connected.
• Consult the dealer or an experienced radio/TV technician for help.
FCC Caution
This device complies with Part 15 of the FCC Rules. Operation is subject to the following two conditions: (1) This device may not cause harmful interference, and (2) this device must accept any interference received, including interference that may cause undesired operation.

RF Radiation Exposure & Hazard Statement
To ensure compliance with FCC RF exposure requirements, this device must be installed in a location such that the antenna of the device will be greater than 2 cm (0.8 in.) away from all persons. Using higher gain antennas and types of antennas not covered under the FCC certification of this product is not allowed. Installation of the radio and end users of the product must adhere to the installation instructions provided in this manual. This transmitter must not be co-located or operated in conjunction with any other antenna or transmitter.
Exposition aux radiations RF et Mesure de danger
Pour assurer la conformité avec les exigences FCC, cet appareil doit être installé dans un endroit où l'antenne est séparée de toute personne d'au moins de 2 cm (0,8 po) de toutes personnes. L'utilisation d'antennes à gain plus élevé et les types d'antennes qui ne sont pas couverts en vertu de la certification de ce produit ne sont pas autorisés. Les installations qui ne sont pas couvertes par la certification de ce produit doivent être conformes aux instructions d'installation fournies dans ce manuel. Cet émetteur ne doit pas être co-localisé ou exploité en conjonction avec toute autre antenne ou transmetteur.
European Union and European Fair Trade Association (EFTA) Regulatory Compliance
This equipment may be operated in the countries that comprise the member countries of the European Union and the European Fair Trade Association. These countries are listed below, as a reference to the European Community throughout this document:
Austria, Belgium, Bulgaria, Cyprus, Czech Republic, Denmark, Estonia, Finland, France, Germany, Greece, Hungary, Ireland, Italy, Latvia, Lithuania, Luxembourg, Malta, Netherlands, Poland, Portugal, Romania, Slovakia, Slovenia, Spain, Sweden, United Kingdom, and Switzerland.
Declaration of Conformity
Marking by this symbol:
Indicates compliance with the Essential Requirements of the Radio Equipment Directive (RED) of the European Union (2014/53/EU). This equipment meets the following conformity standards:
Safety
EN 60950-1: 2006 + A11: 2009 + A1: 2010 + A12: 2011 + A2: 2013 (IT-Mark License),
IEC 60950-1: 2005 (IEC 61646: 2009 + A1: 2009 + A2: 2010) IEC 60950-2: 2011 EN 62368-1: 2011 EN 62368-2: 2011 EN 62368-3: 2011
Additional license issues for specific countries available on request

Notes
Remarques
EN 55022: 2012 + AC: 2013, CISPR 32: 2015, EN 301 489-1 v2.1.1 (2017-02), EN 301 489-1 v2.1.1 (2016-11), EN 61000-4-2: 2009, EN 61000-4-3: 2004 + A1: 2008 + A2: 2010, EN 61000-4-3: 2010, EN 61000-4-3: 2010
The products are licensed, as required, for additional country specific standards for the International Marketplaces. Additional license numbers available upon request.
RoHS
EN 300 282-1: 1 (2014-11)
SAR
EN 62311: 2008
Environmental
RoHS 2011/65/EU, WEEE 2012/19/EU, REACH 2006/1907/EC, Packaging 74/42/EC, Toys Safety Directive 2009/48/EC, Battery 2006/66/EC
Please visit the following URL for a complete copy of the declaration of conformity: <http://www.turtlebeach.com/declaration>
Warning!
This is a Class B product. In a domestic environment, this product may cause radio interference, in which case, the user may be required to take appropriate measures.
Dieses ist ein Gerät der Funkfrequenzklasse B. In Wohnbereichen können bei Betrieb dieses Gerätes Rundfunkstörungen auftreten, in welchen Fällen der Benutzer für entsprechende Gegenmaßnahmen verantwortlich ist.
Attention!
Cet est un produit de Classe B. Dans un environnement domestique, ce produit risque de créer des interférences radioélectriques, il appartient alors à l'utilisateur de prendre les mesures spécifiques appropriées.
Recycling
This symbol on the product or its packaging indicates that this product must not be disposed of with your other household waste. Instead, it is your responsibility to dispose of your waste equipment by handing it over to a designated collection point for the recycling of waste electrical and electronic equipment. The separate collection and recycling of your waste equipment at the time of disposal will help conserve natural resources and ensure that it is recycled in a manner that protects human health and the environment. For more information about where you can drop off your waste for recycling, please contact your local authority, or where you purchased your product.
Turtle Beach Europe Ltd is obligated as a producer with a main activity of setting under the Producer Responsibility Obligations (Packaging Waste) Regulations 2007. To fulfil our obligation we are registered with Comply Direct and their Recycling team. Here you will find advice and information on packaging waste management, recycling symbols and the waste hierarchy principles of reduce, reuse and recycle.
<https://www.complydirect.com/the-recycling-team/>
To Access the Rating Label: Pour accéder à la plaque signalétique:
1. Remove the left ear pad
2. Place ear cushion back onto the other ring of your headset. The ear cushion will snap into place due to the magnetic polarity.
3. Repeat on opposite side. Remove magnet of your headset. It is removed in place sans difficulté grâce au magnétisme.

PKG DESIGN DEPT

Designer: GINA OPALEC
Product: ELITE ATLAS AERO (ROW)
Arena #: 426-187-001-010
Project: QSG
Date: MAY / 06 / 19
Scale: 100%

COMMENTS

Please do not print this layer!!!
• 100% actual size
• All print should be matte except where indicated

SPECIFICATIONS

Printing information

BLK + WHT
QSG Paper Weight (80g) Foldout
Fold Line

CHANGES

Orig Arena #: 426-187-001-010 R01
New Arena #: 426-187-001-010 R02 <(gina opalec)>
Date / Initiator: 05-09-19 / Osman Liu (INN)
1. Request to change final width from 1241mm to max width of 1100mm
New Arena #: 426-187-001-010 RA <(gina opalec)>
Date / Initiator: 05-29-19 / Saejin Cramer
1. Convert to PVT
New Arena #: AP# did not change <(gina opalec)>
Date / Initiator: 06-04-19 / Andy Ho
1. Finalized information: LED Indications / Trans Storage
New Arena #: 426-187-001-010 RB <(gina opalec)>
Date / Initiator: 06-20-19 / Saejin Cramer
1. Convert to MP