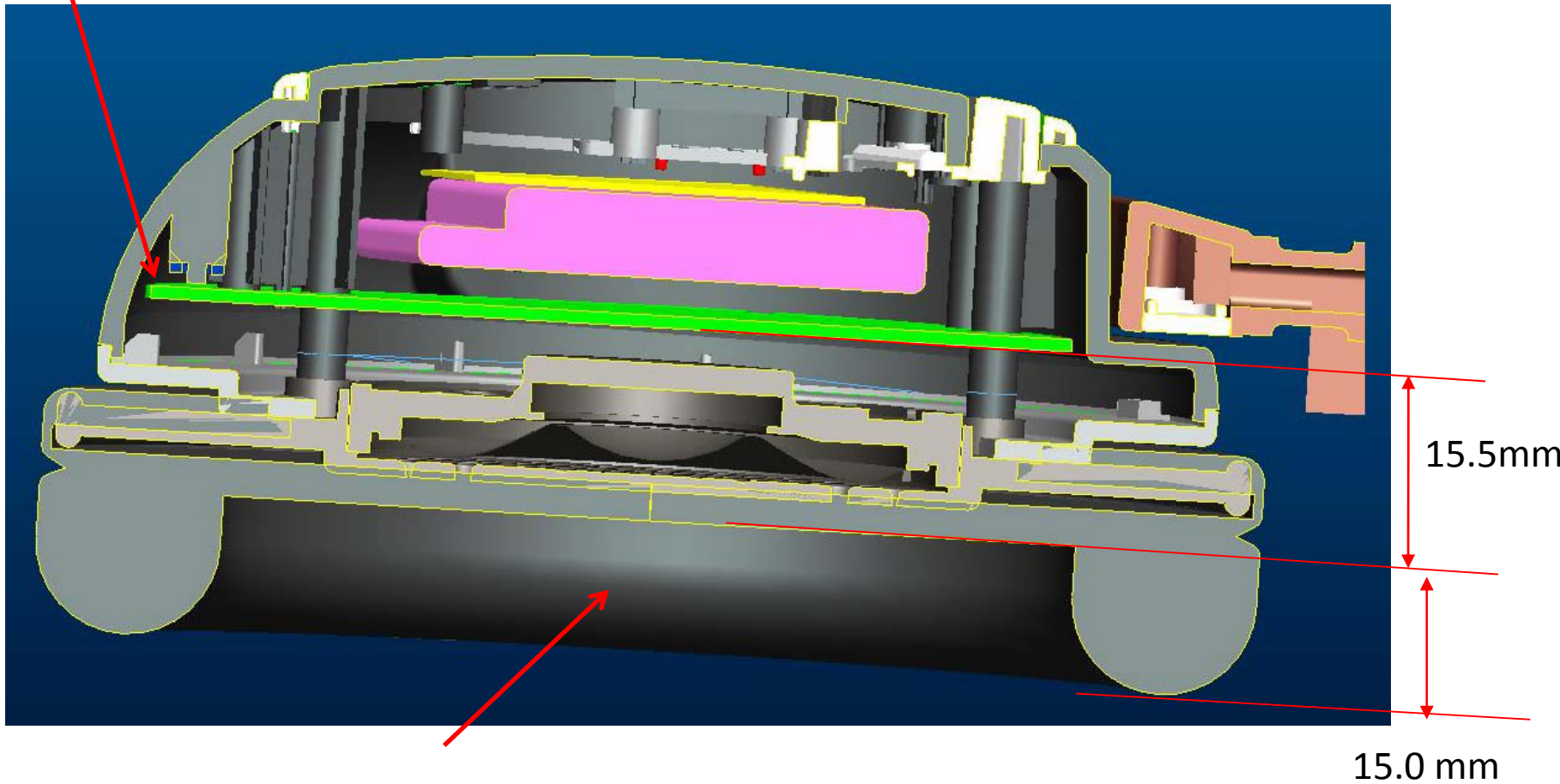


Right Ear Cup

Green PCB shows location of radio

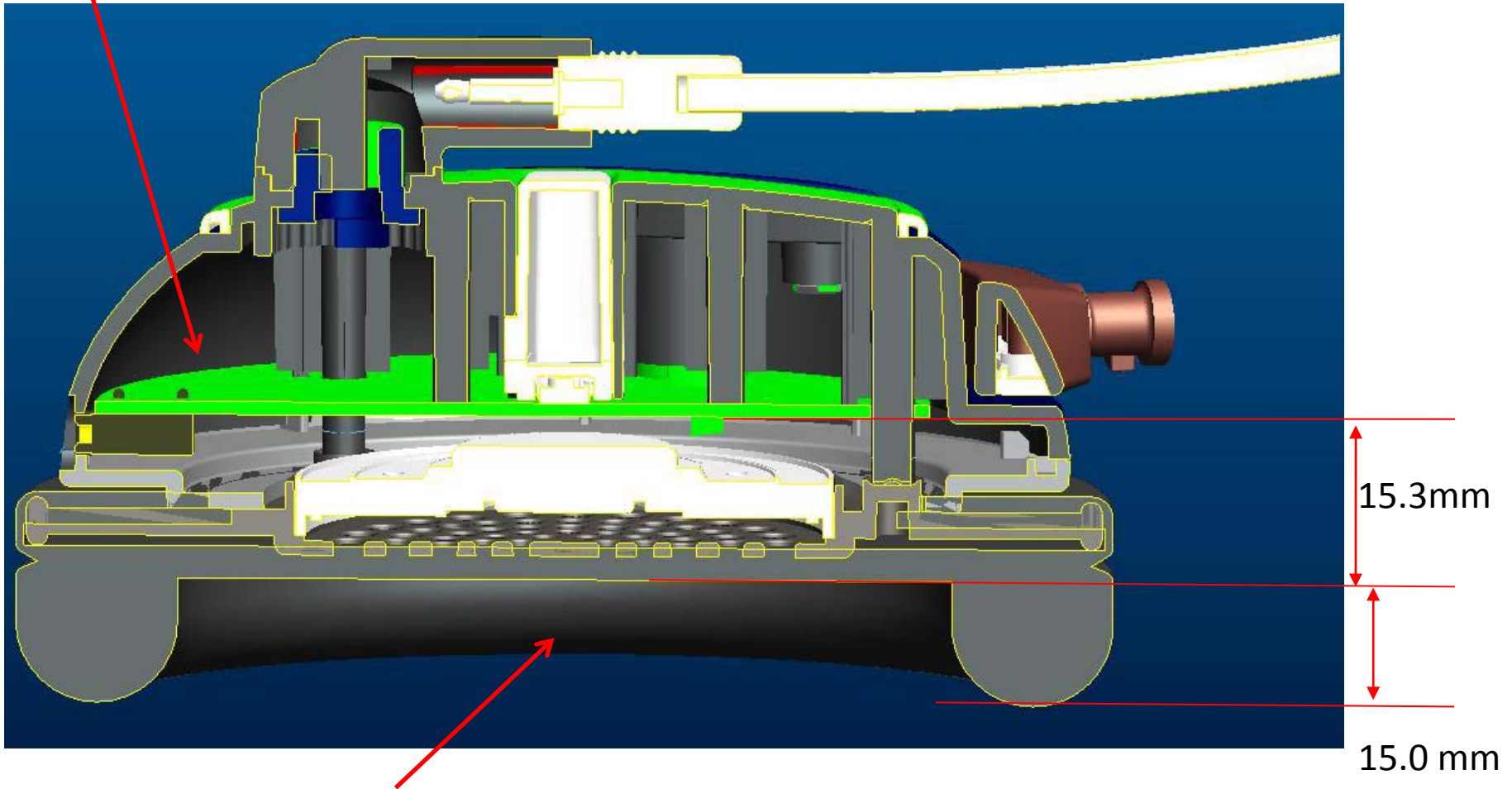


Location of human ear
(allows for compression of foam)

Total separation from human ear > 25 mm

Left Ear Cup

Green PCB shows location of radio



15.3mm

15.0 mm

Location of human ear
(allows for compression of foam)

Total separation from human ear > 25 mm